



US00D676729S

(12) **United States Design Patent**  
**Kent et al.**

(10) **Patent No.:** **US D676,729 S**

(45) **Date of Patent:** **\*\* Feb. 26, 2013**

(54) **RIBBON STAPLER**

(75) Inventors: **Michael Kent**, Cumberland, RI (US);  
**Ming Sun**, Natick, MA (US); **William D. Hester**, Meriden, CT (US)

(73) Assignee: **Staples The Office Superstore, Inc.**, Framingham, MA (US)

(\*\*) Term: **14 Years**

(21) Appl. No.: **29/419,755**

(22) Filed: **May 1, 2012**

(51) **LOC (9) Cl.** ..... **19-02**

(52) **U.S. Cl.** ..... **D8/49**

(58) **Field of Classification Search** ..... D8/48,  
D8/49, 50, 61, 68, 69, 70; D19/72, 73, 65,  
D19/69; D21/532; D24/145; 7/158, 160;  
227/4, 5, 6, 7, 8, 120, 127, 128, 131, 132,  
227/134, 144, 156, 175.1; 606/139, 143,  
606/153, 219

See application file for complete search history.

(56) **References Cited**

**U.S. PATENT DOCUMENTS**

D378,904 S *	4/1997	Sciuto	.....	D11/66
D394,822 S *	6/1998	Swenson et al.	.....	D11/77
D446,837 S *	8/2001	Tate	.....	D21/794
D452,039 S *	12/2001	Freeman et al.	.....	D28/8.1
D455,978 S *	4/2002	Brown	.....	D11/98
D456,476 S *	4/2002	Tate	.....	D21/794
D473,813 S *	4/2003	Titus et al.	.....	D11/66
D495,023 S *	8/2004	Kurachi	.....	D22/129
D502,850 S *	3/2005	Sauter et al.	.....	D8/50
D504,022 S *	4/2005	Rodriguez	.....	D6/303
D507,704 S *	7/2005	Dean et al.	.....	D6/303
D514,904 S *	2/2006	Sauter et al.	.....	D8/50
D520,905 S *	5/2006	Andrews	.....	D11/133
D525,520 S *	7/2006	Martin	.....	D8/356
D525,897 S *	8/2006	Raiman	.....	D11/66
D526,886 S *	8/2006	Kramer	.....	D8/356

D529,773 S *	10/2006	Harris et al.	.....	D8/50
D531,866 S *	11/2006	Harris et al.	.....	D8/50
D533,050 S *	12/2006	Kelleghan	.....	D8/356
D540,905 S *	4/2007	Wilson	.....	D22/129
D542,590 S *	5/2007	Levy et al.	.....	D7/354
D544,914 S *	6/2007	Blagrove	.....	D19/2
D552,009 S *	10/2007	Jemente	.....	D11/79
D552,843 S *	10/2007	Katz	.....	D3/203.3
D555,033 S *	11/2007	Perkins	.....	D11/120
D561,255 S *	2/2008	Oas et al.	.....	D19/65
D569,920 S *	5/2008	Falah	.....	D21/440
D570,611 S *	6/2008	Samerdyke et al.	.....	D6/303
D572,126 S *	7/2008	Tomaka	.....	D8/395
D574,696 S *	8/2008	Greening	.....	D8/347
D576,789 S *	9/2008	Mayer	.....	D3/215
D579,295 S *	10/2008	Cunningham et al.	.....	D8/50
D586,113 S *	2/2009	Katz	.....	D3/203.3

\* cited by examiner

*Primary Examiner* — Austin Murphy

(74) *Attorney, Agent, or Firm* — Wolf, Greenfield & Sacks, P.C.; Randy J. Pritzker

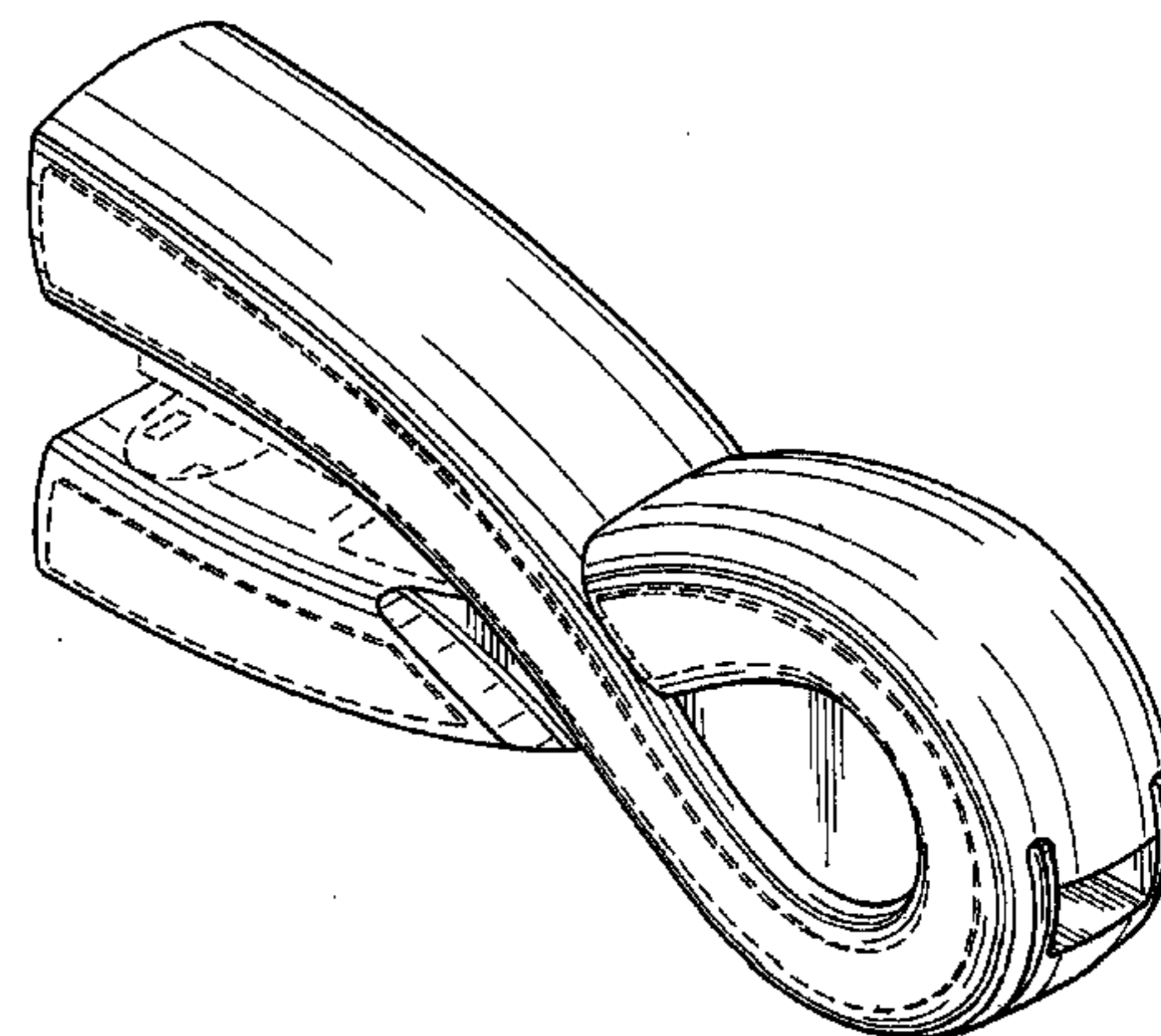
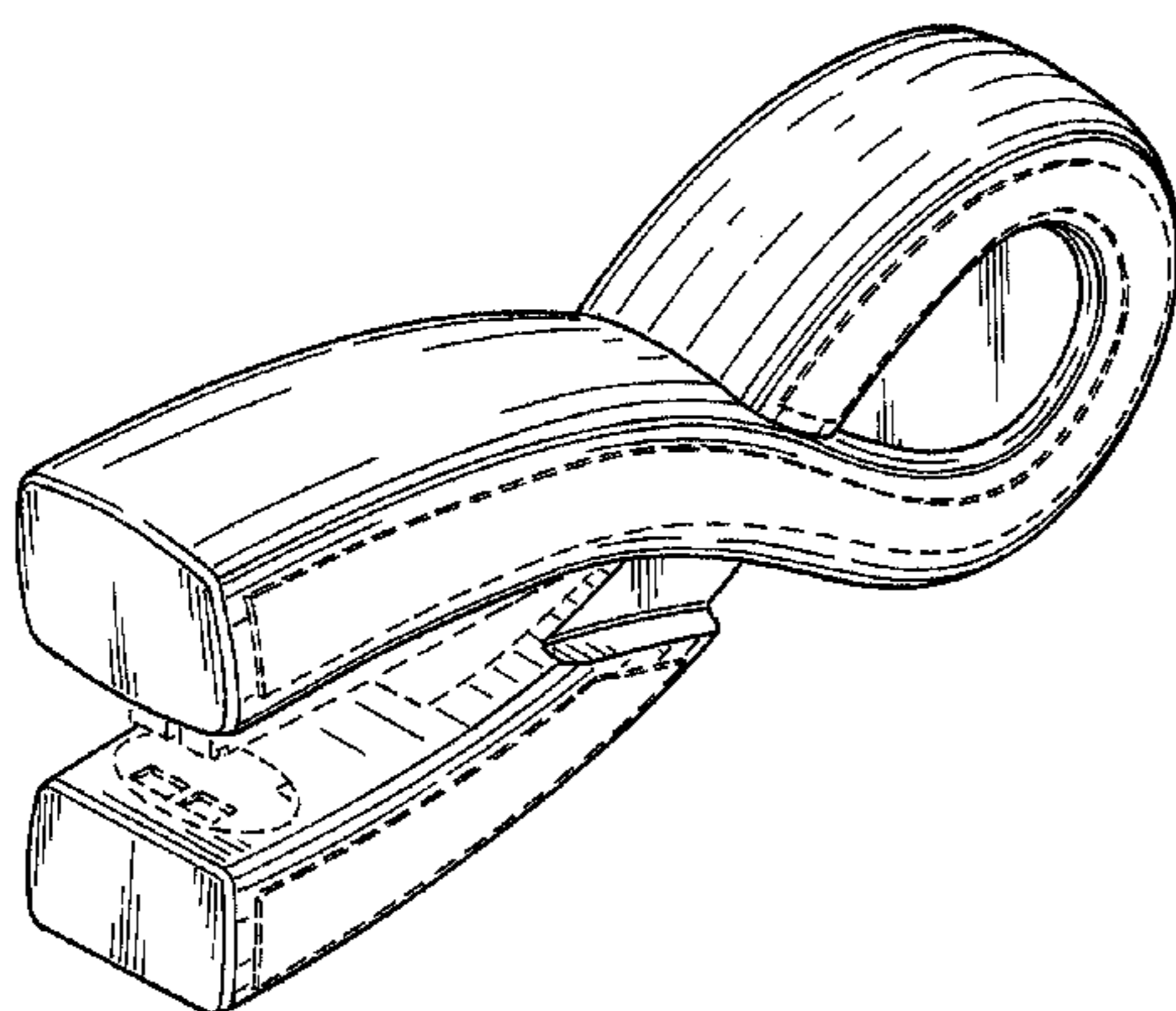
(57) **CLAIM**

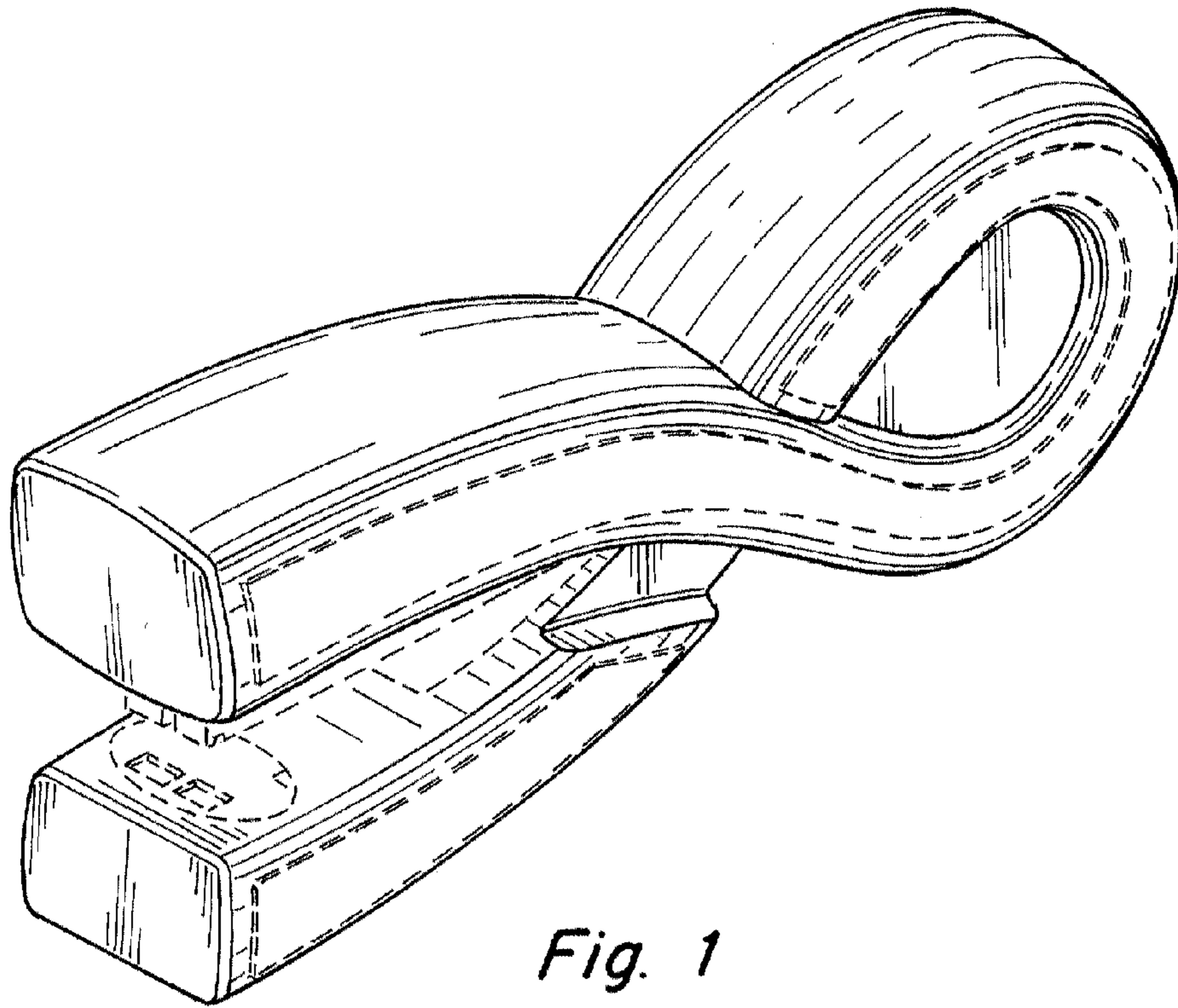
The ornamental design for ribbon stapler, as shown and described.

**DESCRIPTION**

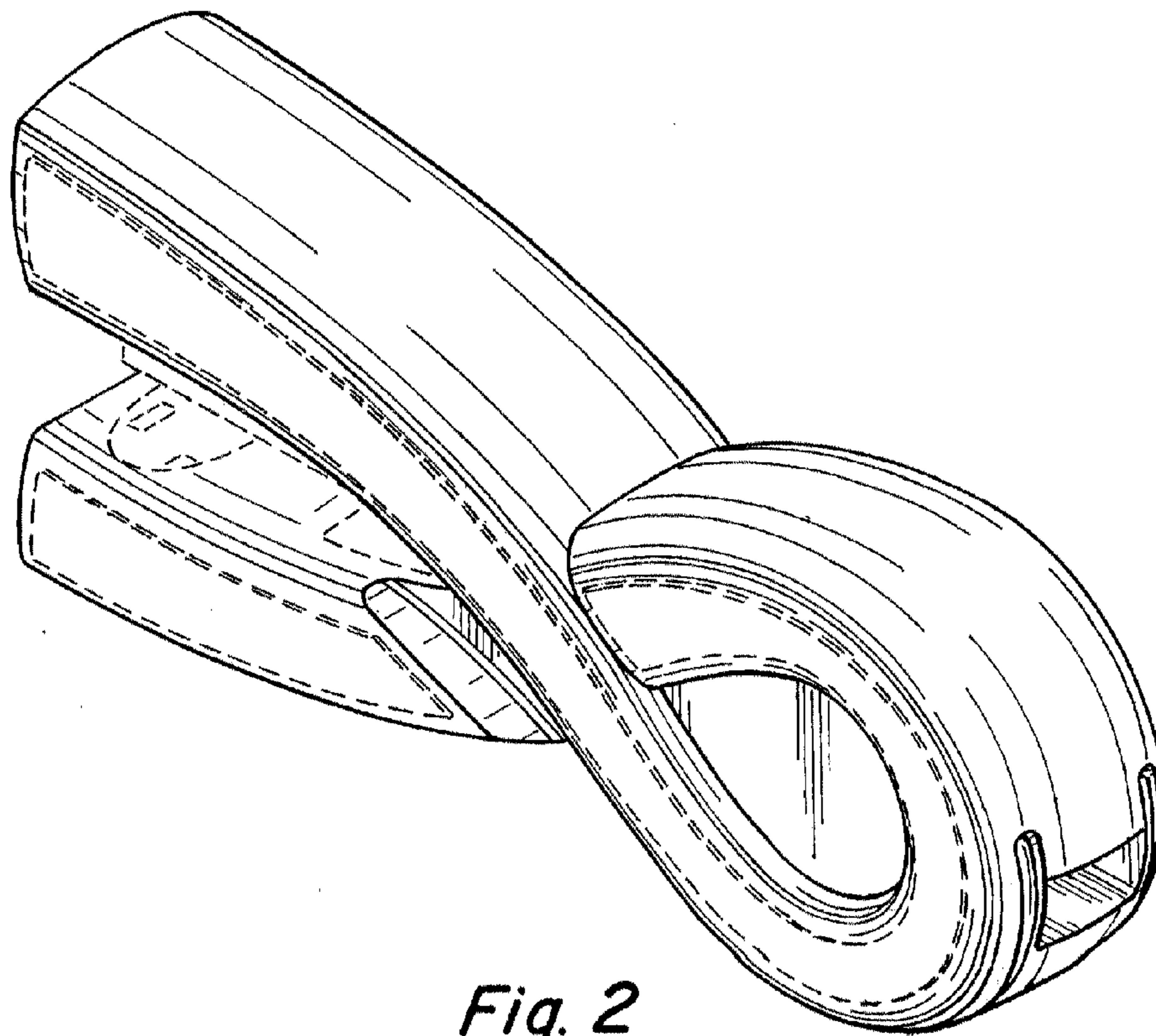
FIG. 1 is a side, top, perspective view of the ribbon stapler with elements thereof shown in phantom;  
FIG. 2 is an opposing side, top, perspective view of the ribbon stapler;  
FIG. 3 is a left side view thereof, the right side view thereof being a mirror image thereof;  
FIG. 4 is a front view thereof;  
FIG. 5 is a rear view thereof;  
FIG. 6 is a top view thereof; and,  
FIG. 7 is a bottom view thereof.  
The broken lines shown are included for illustrative purposes only form no part of the claimed design.

**1 Claim, 3 Drawing Sheets**

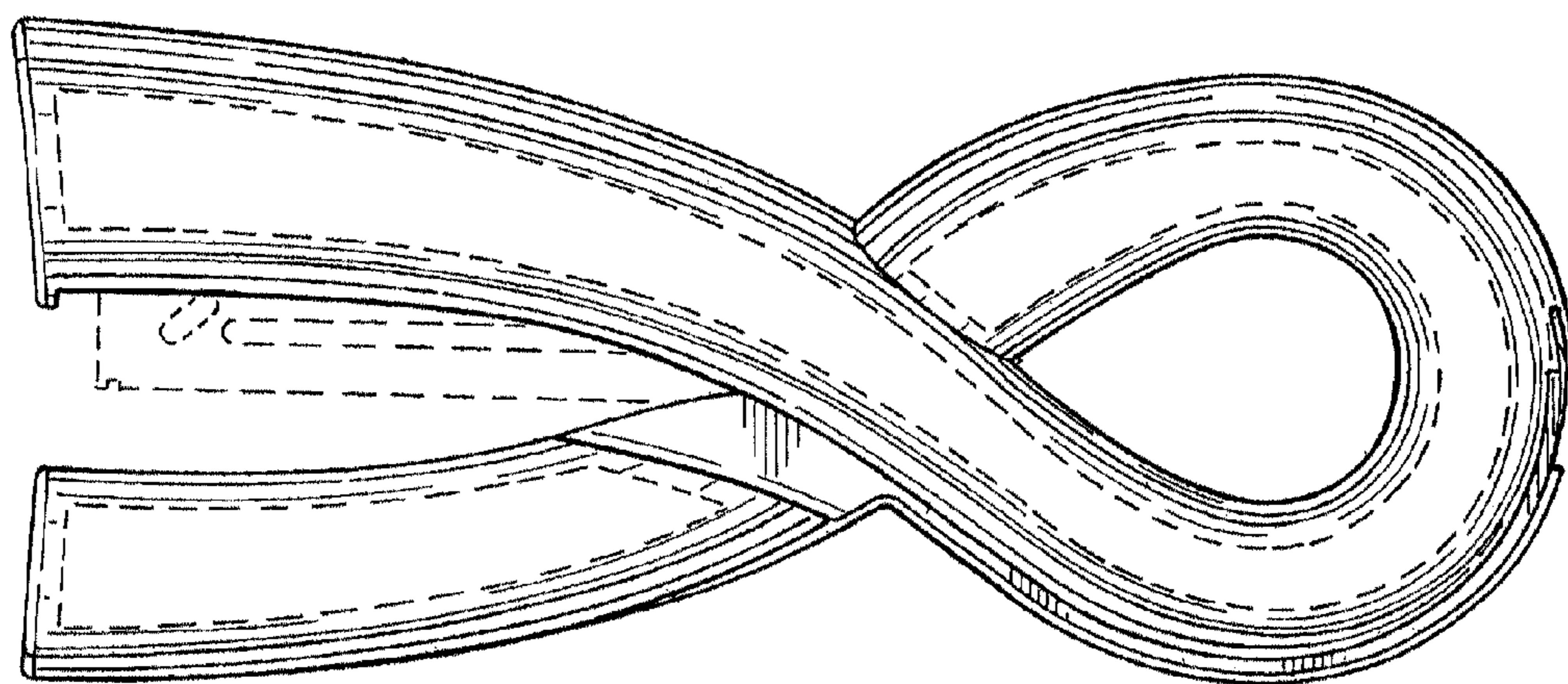




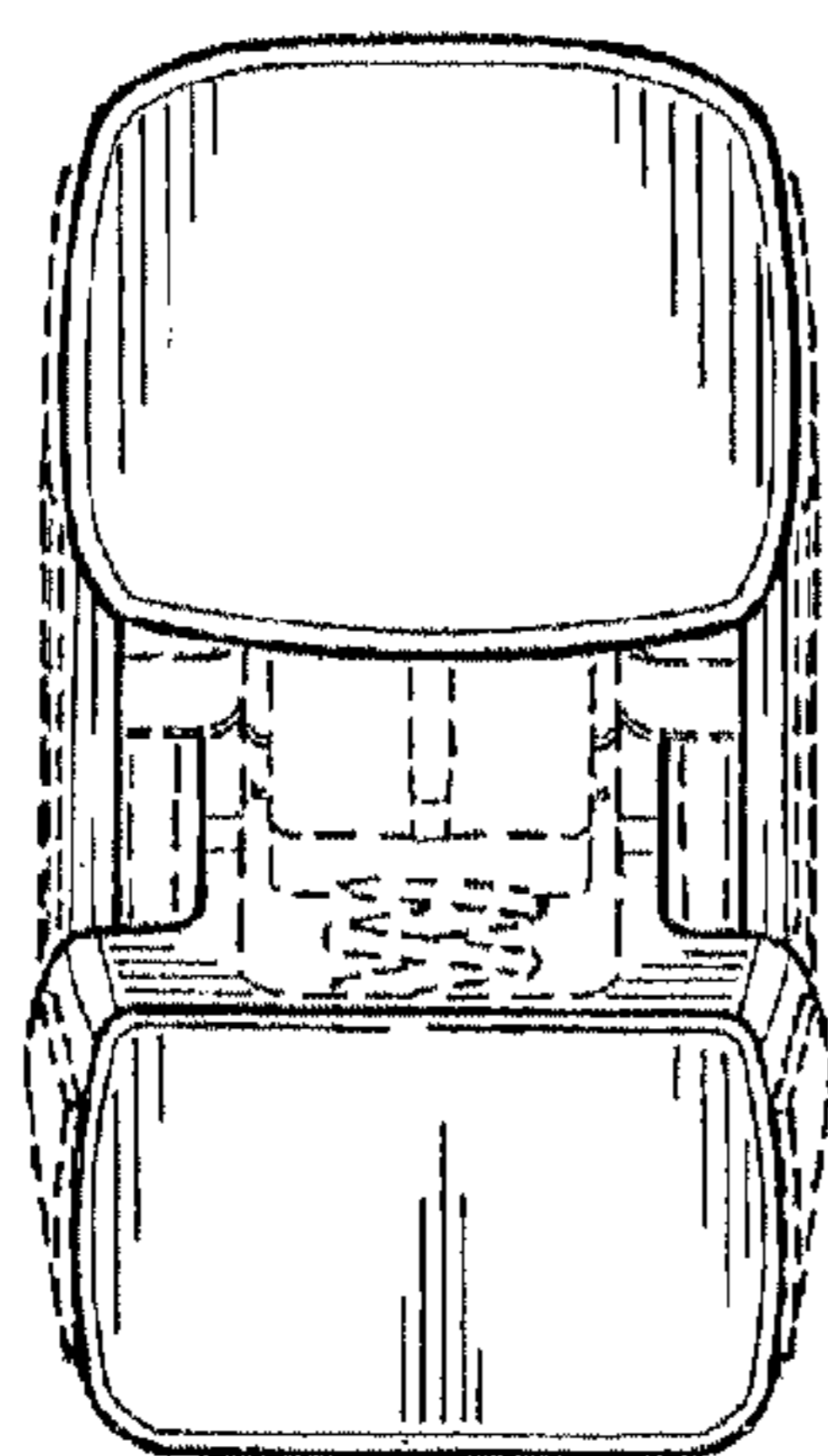
*Fig. 1*



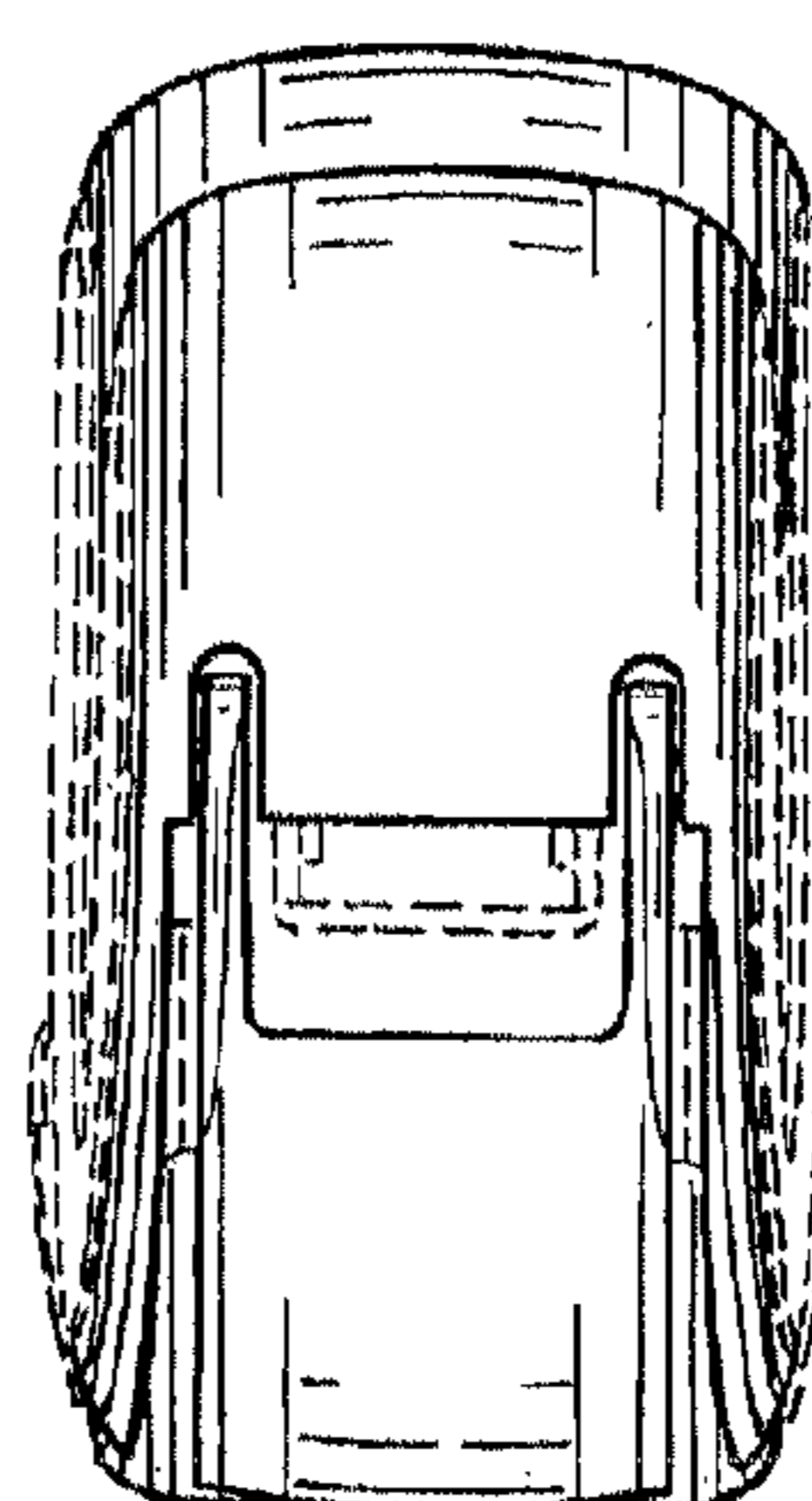
*Fig. 2*



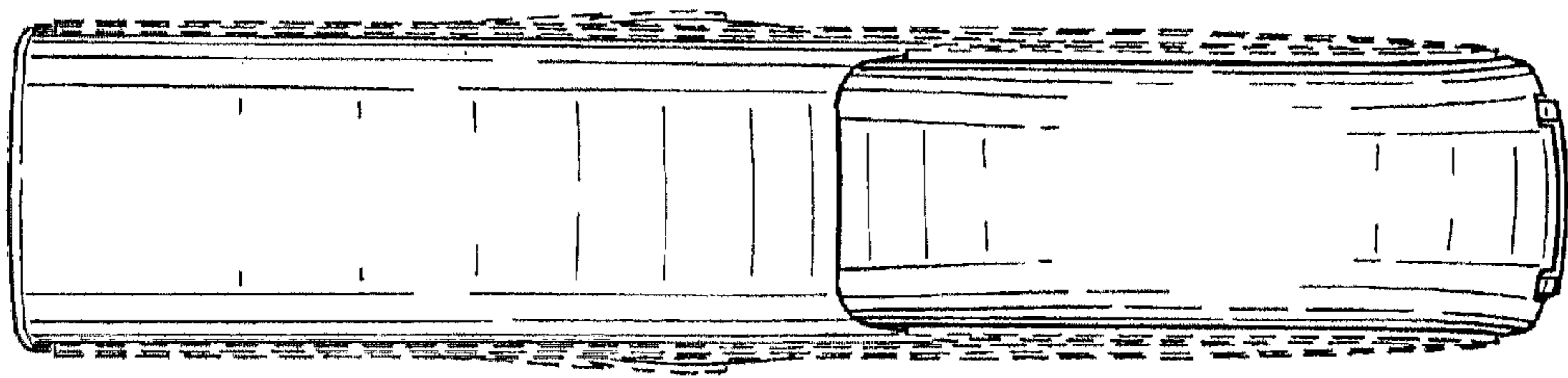
*Fig. 3*



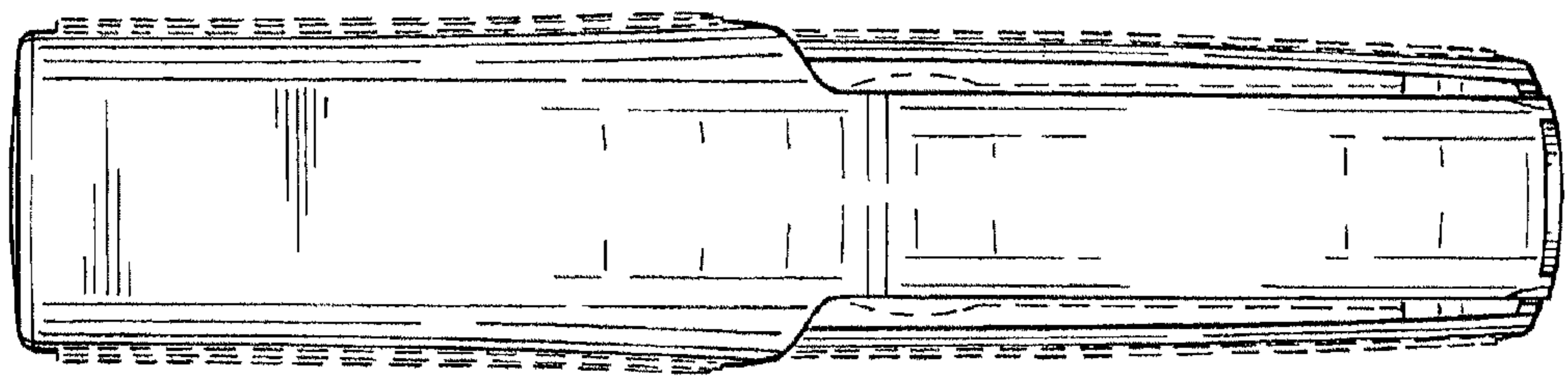
*Fig. 4*



*Fig. 5*



*Fig. 6*



*Fig. 7*