



US00D676726S

(12) **United States Design Patent**
Davis

(10) **Patent No.:** **US D676,726 S**

(45) **Date of Patent:** **** Feb. 26, 2013**

(54) **GARDENING IMPLEMENT**

(76) Inventor: **Eugene Davis**, Tipp City, OH (US)

(**) Term: **14 Years**

(21) Appl. No.: **29/371,540**

(22) Filed: **Apr. 11, 2011**

(51) **LOC (9) Cl.** **08-01**

(52) **U.S. Cl.** **D8/13**

(58) **Field of Classification Search** D8/13,
D8/1; 172/371-372, 375, 376; 7/114-116;
56/400.1-400.21

See application file for complete search history.

(56) **References Cited**

U.S. PATENT DOCUMENTS

1,169,284	A *	1/1916	Potter	172/375
1,632,883	A *	6/1927	Carkey	172/375
2,520,413	A	8/1950	Kent		
2,726,504	A	12/1955	Paluska		
D193,486	S	8/1962	Wenger		
3,930,544	A	1/1976	Foster, Sr.		
D243,438	S	2/1977	Batley		
4,286,893	A *	9/1981	Pomares	403/301
D306,682	S	3/1990	Thompson		
5,004,053	A *	4/1991	Martell	172/375

D317,854	S	7/1991	Pifalo
5,125,459	A	6/1992	Richards
D359,666	S	6/1995	Richards
D374,382	S	10/1996	Smith
D393,299	S	4/1998	Hunt
5,809,760	A	9/1998	Rexroat
D500,943	S	1/2005	Orozco

* cited by examiner

Primary Examiner — Sheryl Lane

(74) *Attorney, Agent, or Firm* — Donald Grant Kelly

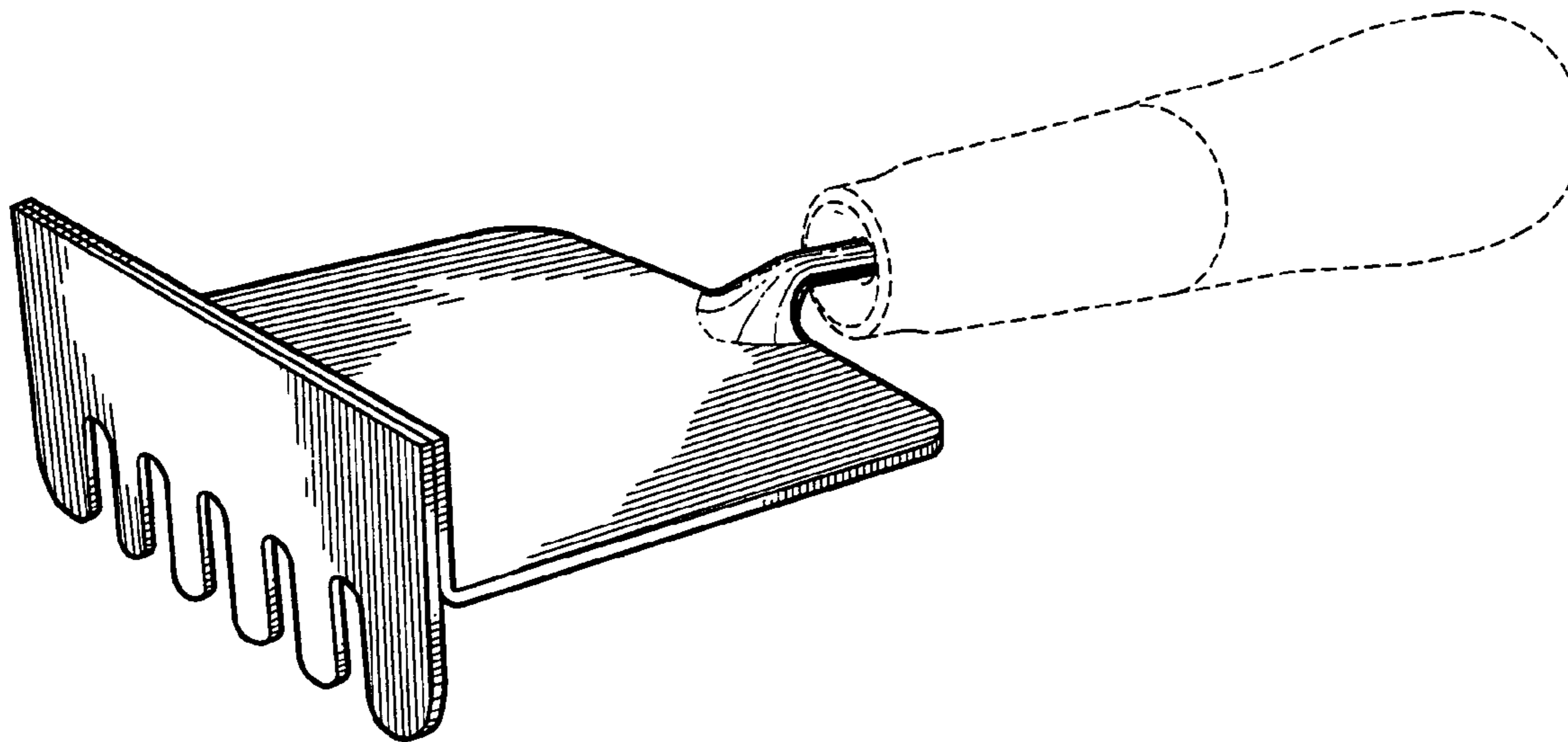
(57) **CLAIM**

The ornamental design for a gardening implement, as shown and described.

DESCRIPTION

FIG. 1 is a top, perspective view of the gardening implement; FIG. 2 is a top plan view thereof; FIG. 3 is a bottom plan view thereof; FIG. 4 is a right side elevation and a mirror image of the left side elevation thereof; FIG. 5 is a front elevation view thereof; and, FIG. 6 is a rear side elevation view thereof. The broken lines represent portions of the article and form no part of the claimed design.

1 Claim, 5 Drawing Sheets



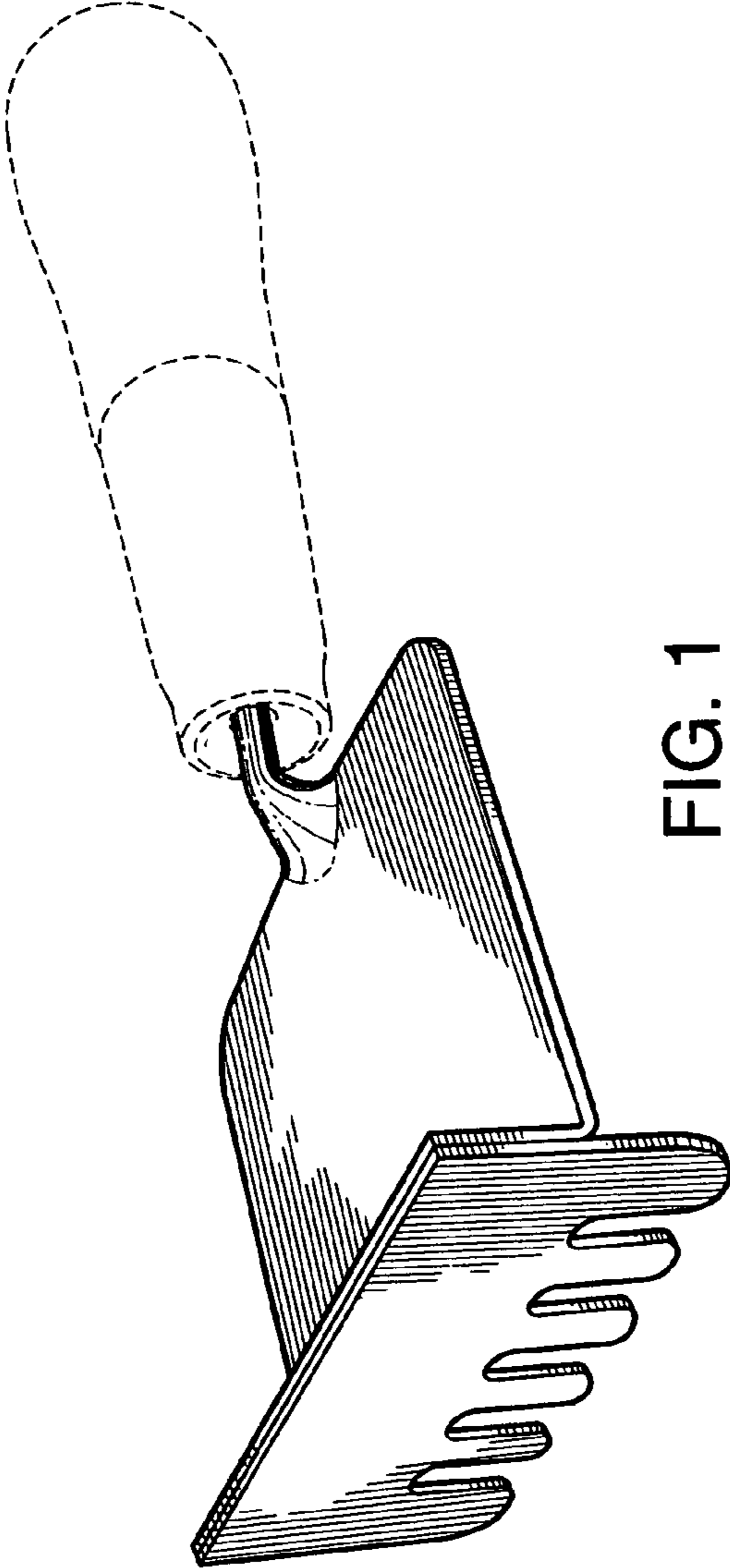


FIG. 1

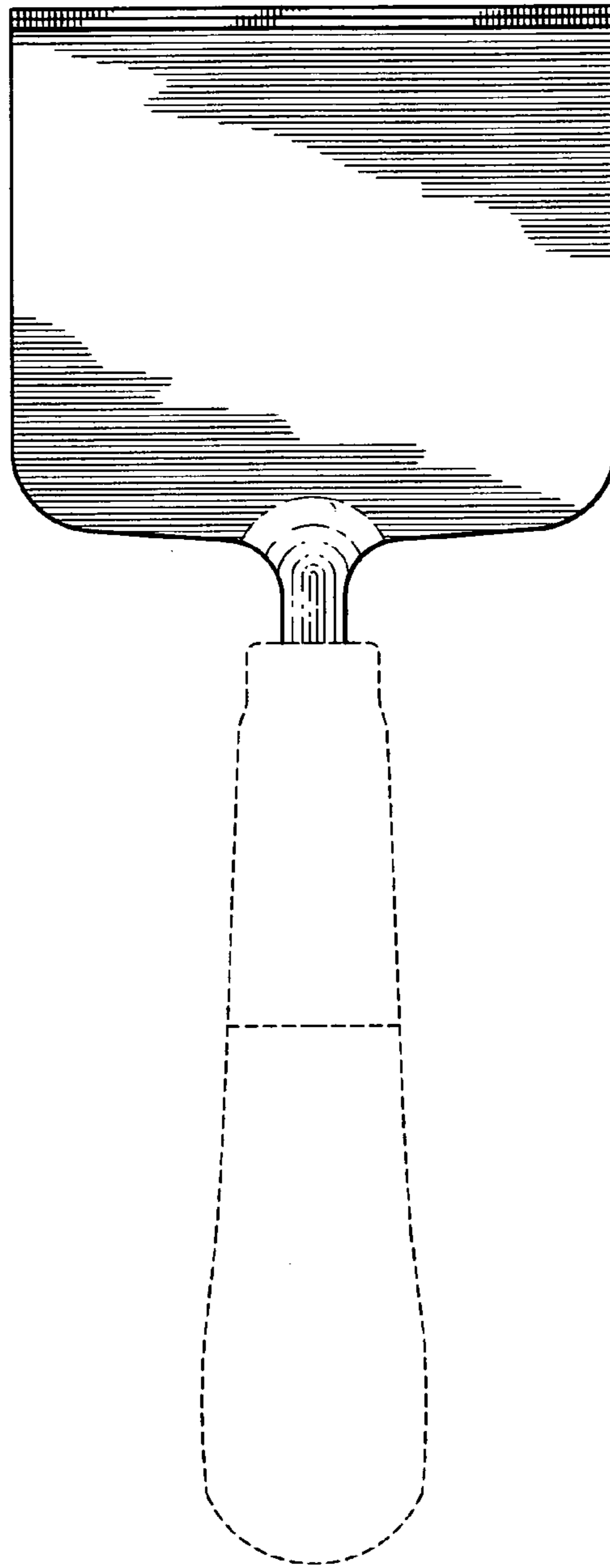


FIG. 2

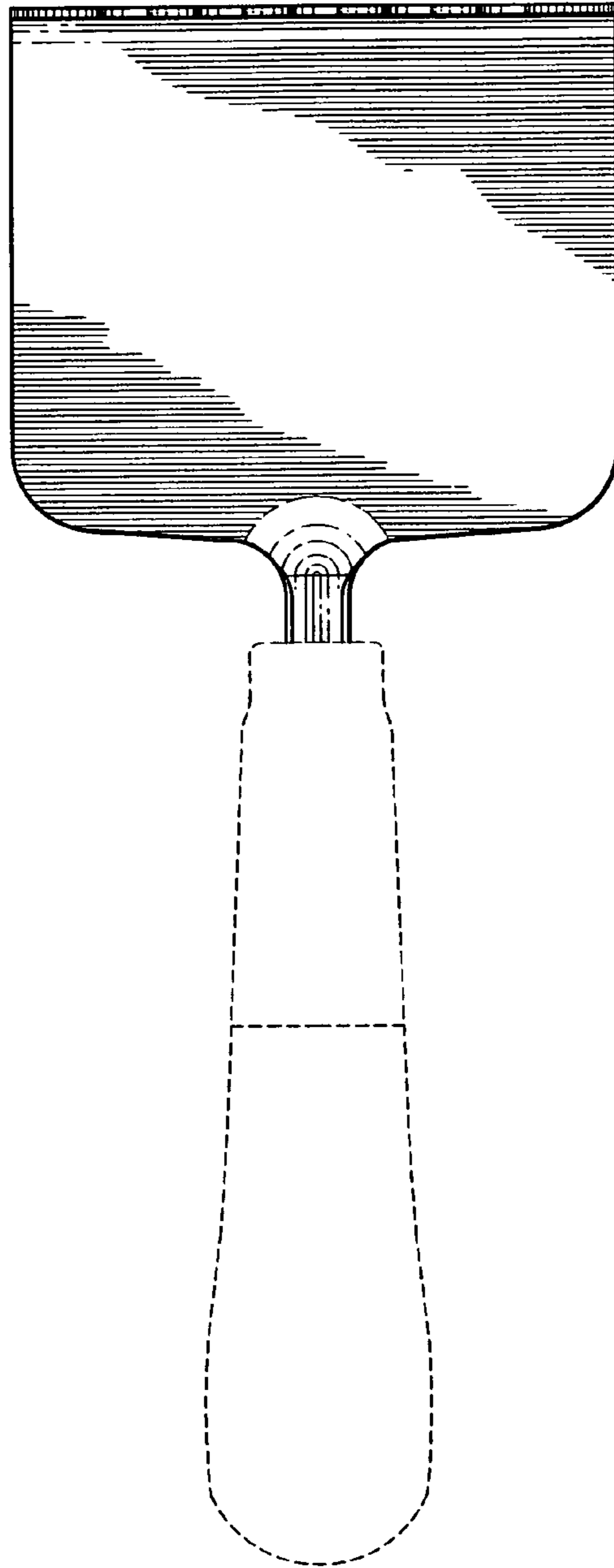


FIG. 3

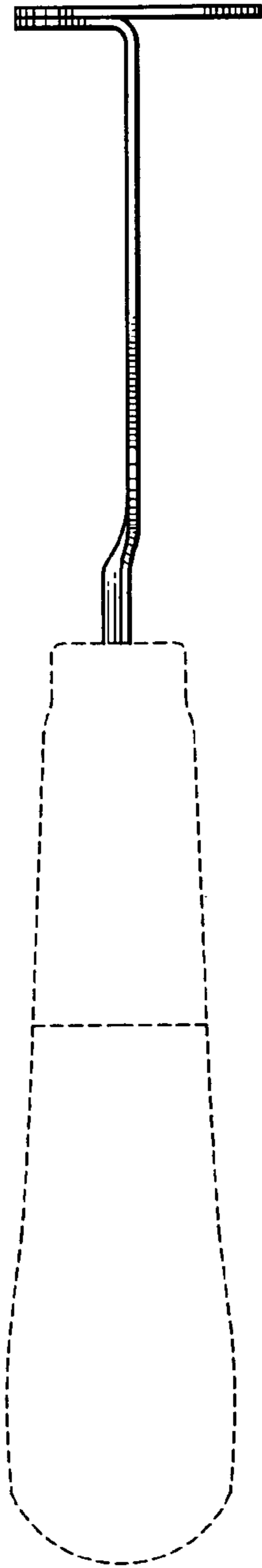


FIG. 4

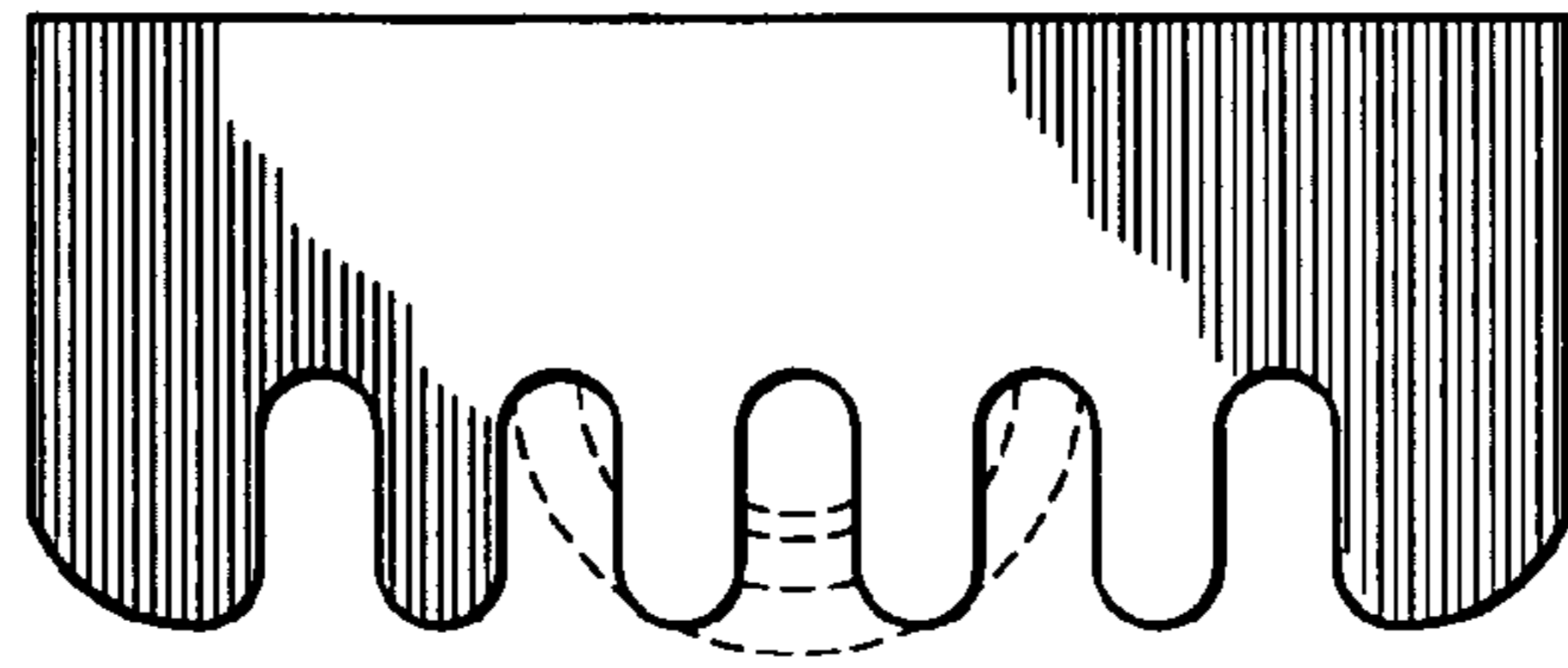


FIG. 5

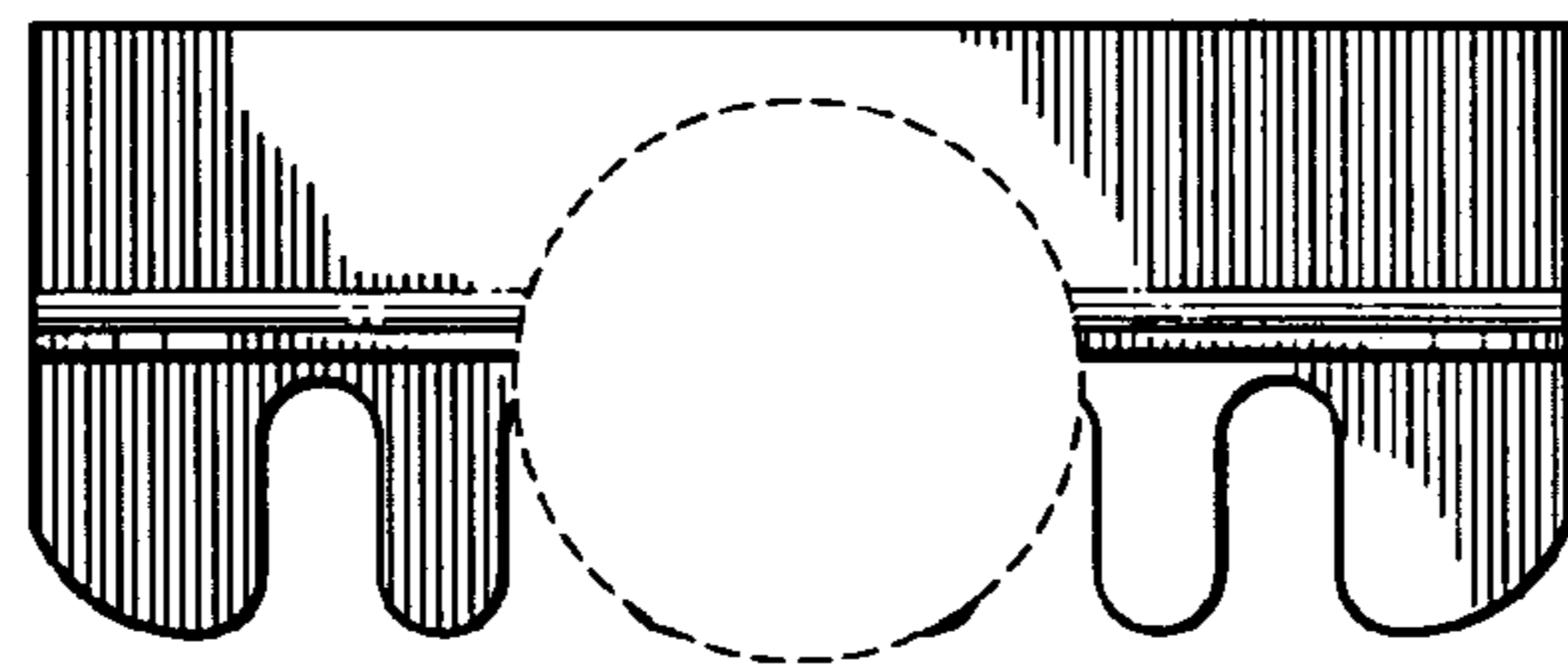


FIG. 6