



US00D676723S

(12) **United States Design Patent**
Norwood et al.

(10) **Patent No.:** **US D676,723 S**
(45) **Date of Patent:** **** Feb. 26, 2013**

(54) **TWO HANDLED SHOVEL**

(76) Inventors: **Barbara Norwood**, Philadelphia, PA
(US); **Melvin Norwood**, Philadelphia,
PA (US)

(**) Term: **14 Years**

(21) Appl. No.: **29/390,370**

(22) Filed: **Apr. 23, 2011**

(51) **LOC (9) Cl.** **08-01**

(52) **U.S. Cl.** **D8/10**

(58) **Field of Classification Search** D8/10;
D34/18; 294/54.5, 49, 56, 51, 58, 59; 7/116;
37/284

See application file for complete search history.

(56) **References Cited**

U.S. PATENT DOCUMENTS

D275,928	S	10/1984	Lopresti	
4,787,661	A	11/1988	Rutledge	
5,054,830	A *	10/1991	Nisenbaum	294/58
5,133,582	A	7/1992	Rocha	
5,499,852	A	3/1996	Seigendall	
D377,300	S	1/1997	Fredrick von Essen	
D381,875	S *	8/1997	Spear et al.	D8/10
D397,005	S *	8/1998	Whitehead et al.	D8/10
D409,886	S *	5/1999	Whitehead et al.	D8/10

D432,373	S	10/2000	Fox	
D433,889	S *	11/2000	Spear	D8/10
6,203,081	B1 *	3/2001	Kegan, Sr.	294/59
6,704,968	B2 *	3/2004	Lau	16/426
6,830,271	B2 *	12/2004	Piscopo et al.	294/58
D546,644	S *	7/2007	Rosine et al.	D8/10
D558,004	S	12/2007	Kelly, Jr.	
7,331,620	B2 *	2/2008	Wang	294/58
D617,159	S	6/2010	Blanchard	

* cited by examiner

Primary Examiner — Sheryl Lane

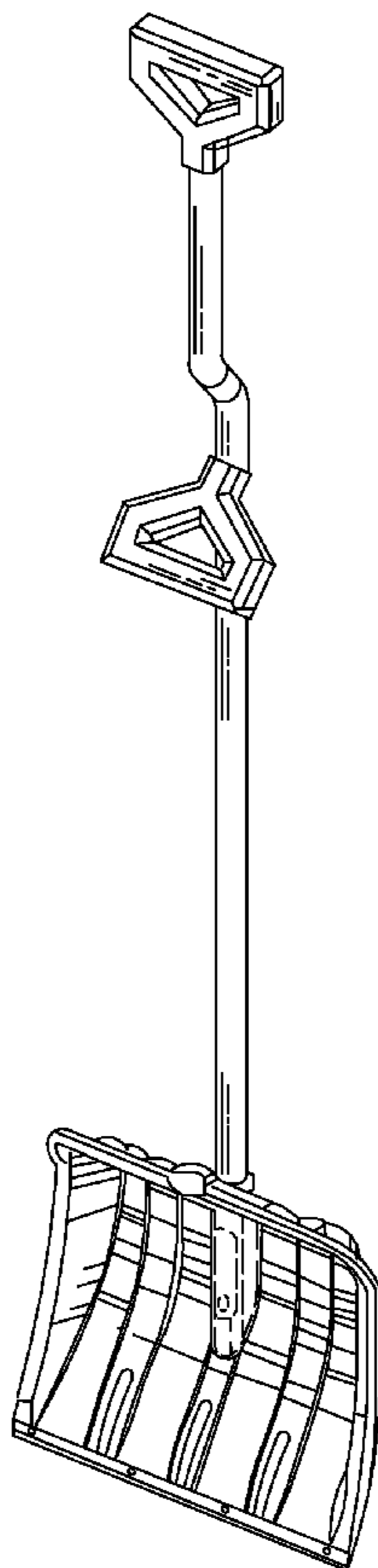
(57) **CLAIM**

The ornamental design for a two handled shovel, substantially as shown and described.

DESCRIPTION

FIG. 1 is a perspective view of a two handled shovel showing our new design;
FIG. 2 is a rear view thereof;
FIG. 3 is a front view thereof;
FIG. 4 is a left side view; and the right side view is a mirror image of the left side view;
FIG. 5 is a top plan view thereof; and,
FIG. 6 is a bottom plan view thereof.
The broken lines represent portions of the article and form no part of the claimed design.

1 Claim, 6 Drawing Sheets



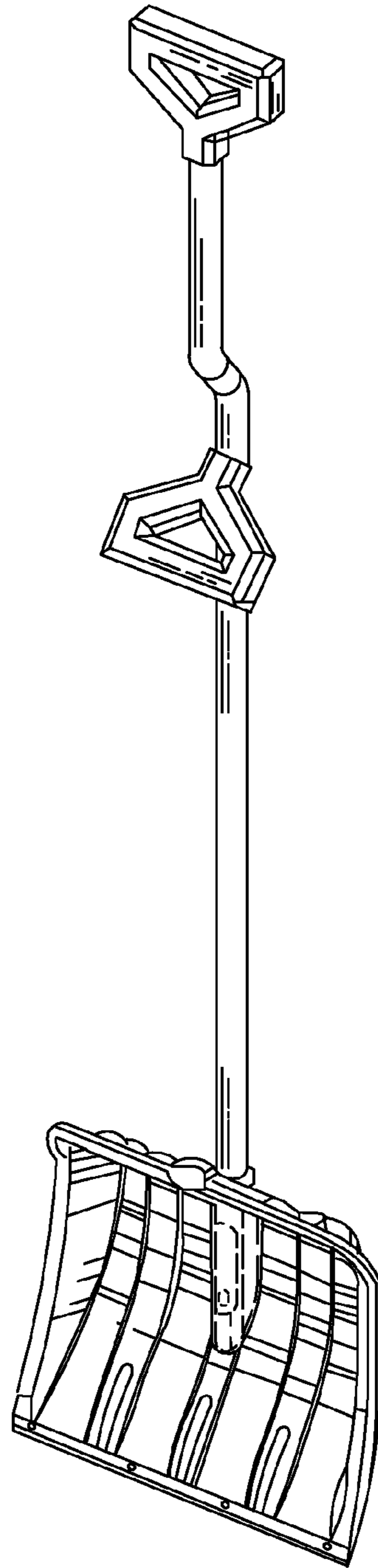


Fig. 1

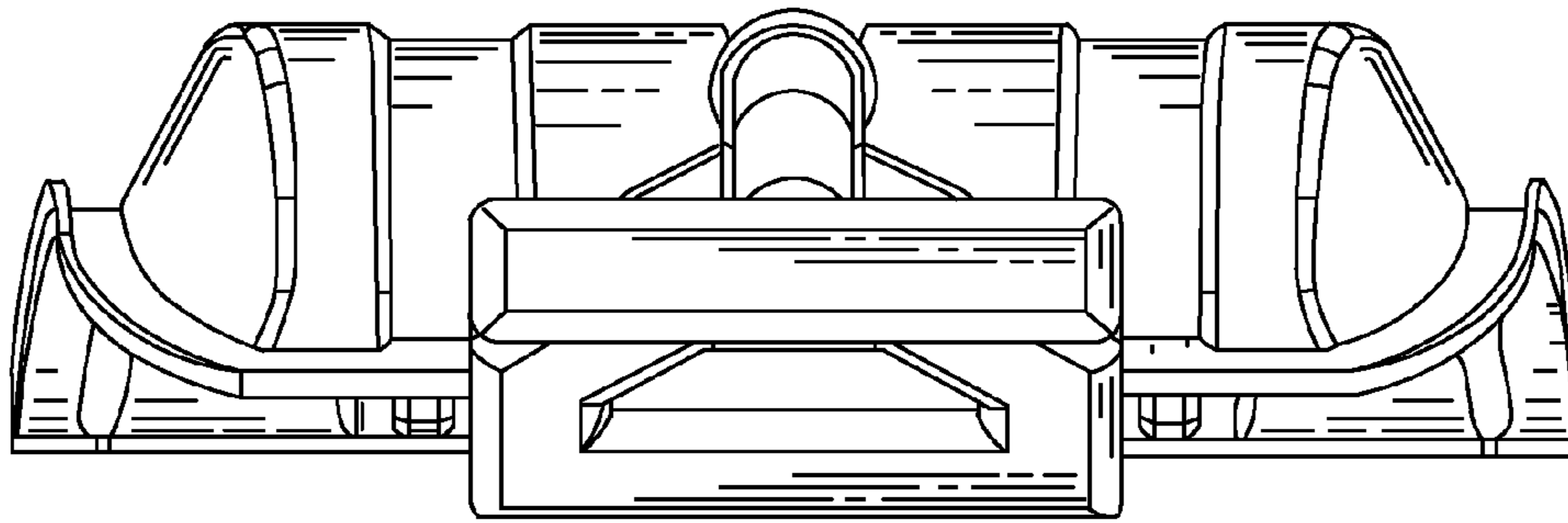


Fig. 2

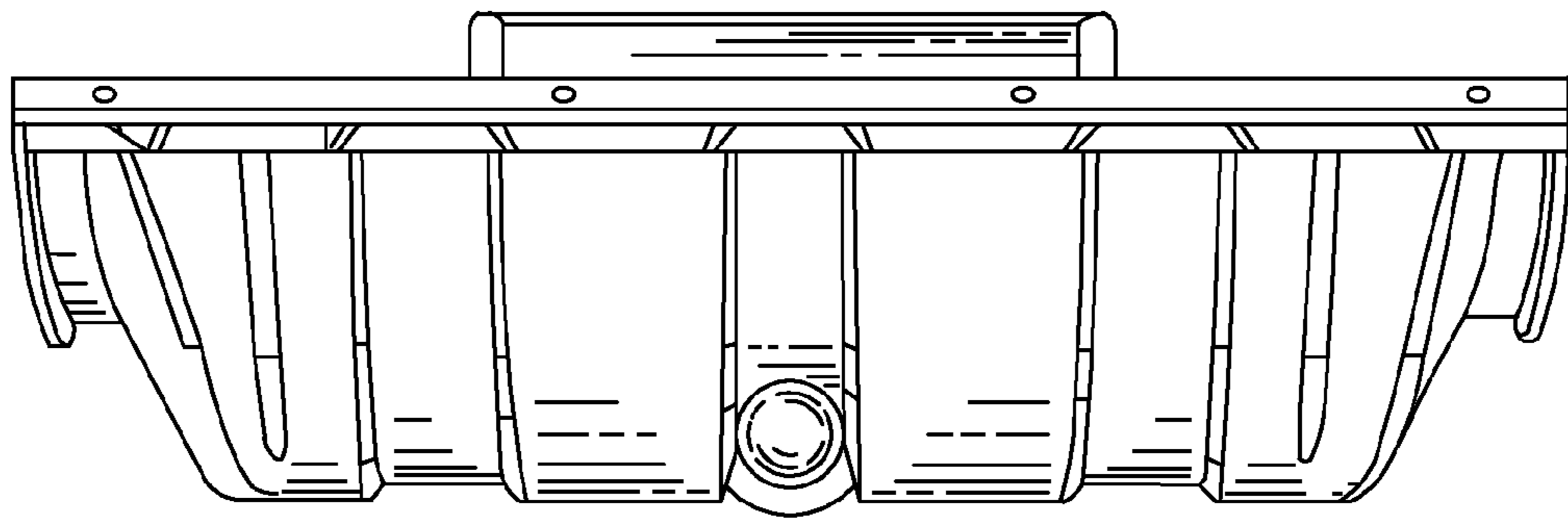


Fig. 3

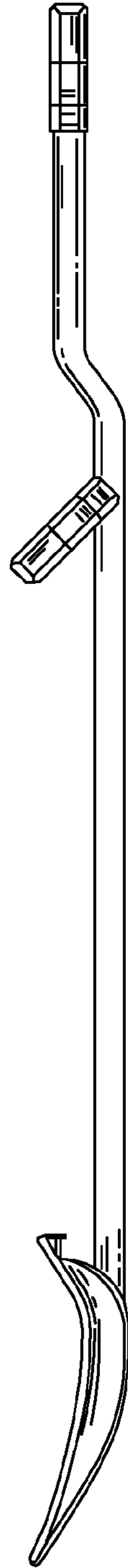


Fig. 4

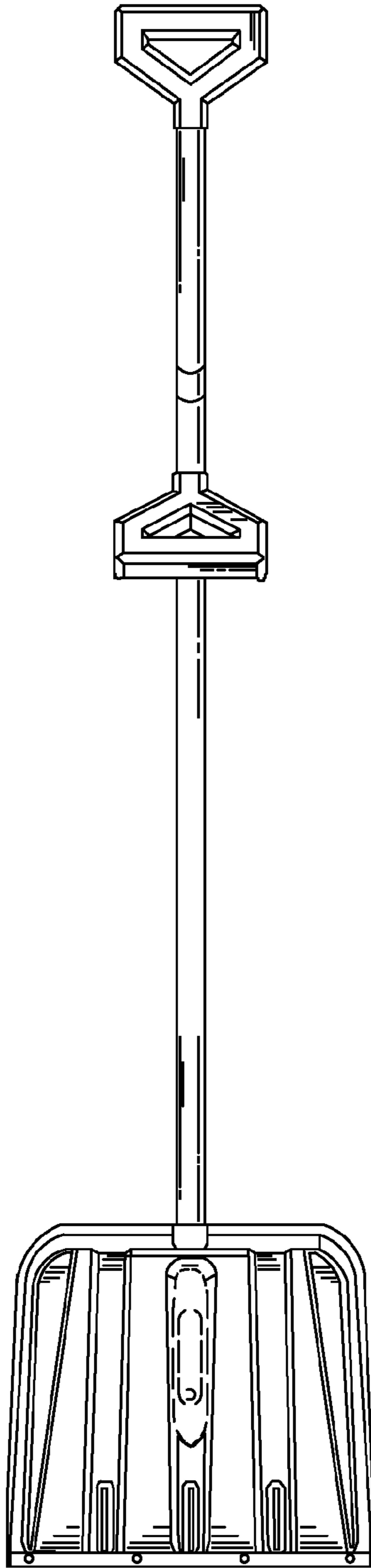


Fig. 5

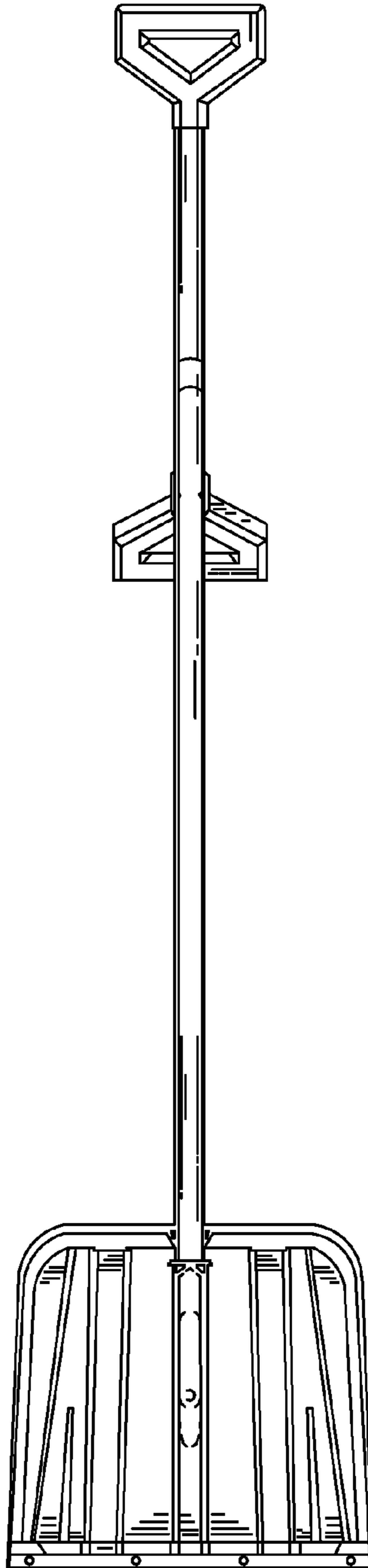


Fig. 6