



US00D676722S

(12) **United States Design Patent**  
**Clancy**

(10) **Patent No.:** **US D676,722 S**

(45) **Date of Patent:** **\*\* \*Feb. 26, 2013**

(54) **WATER RESERVOIR FOR PLANTS**

(76) Inventor: **Patrick J. Clancy**, Martinez, CA (US)

(\*) Notice: This patent is subject to a terminal disclaimer.

(\*\*) Term: **14 Years**

(21) Appl. No.: **29/367,443**

(22) Filed: **Aug. 9, 2010**

(51) **LOC (9) Cl.** ..... **08-01**

(52) **U.S. Cl.** ..... **D8/1**

(58) **Field of Classification Search** ..... D8/1; 256/32;  
D25/121, 164; 47/33; 52/233, 102-103;  
271/91; D11/26; D2/624, 625, 627

See application file for complete search history.

D292,474	S	*	10/1987	Young	.....	D8/1
5,102,129	A	*	4/1992	Roberts	.....	473/414
D329,575	S	*	9/1992	Eberhart	.....	D8/1
D342,874	S	*	1/1994	Groves	.....	D8/1
D352,871	S	*	11/1994	Miller et al.	.....	D8/1
D356,516	S	*	3/1995	Price	.....	D10/104.1
D366,191	S	*	1/1996	Gay	.....	D8/1
D368,307	S	*	3/1996	Miller	.....	D23/354
D403,929	S	*	1/1999	Evans	.....	D8/1
D408,231	S	*	4/1999	Bohn	.....	D8/1
D413,397	S	*	8/1999	Benjamin	.....	D25/164
D416,096	S	*	11/1999	Tisbo et al.	.....	D25/164
6,354,038	B1	*	3/2002	Morris	.....	47/33
D457,688	S	*	5/2002	Cordero	.....	D29/100
D548,368	S	*	8/2007	Hale et al.	.....	D25/121
D558,427	S	*	1/2008	Solin	.....	D2/627
D585,572	S	*	1/2009	Frechette et al.	.....	D25/164
D606,670	S	*	12/2009	Keeley	.....	D25/121
D612,072	S	*	3/2010	Keeley	.....	D25/121
7,810,277	B2	*	10/2010	Fakhari	.....	47/33

\* cited by examiner

*Primary Examiner* — Sheryl Lane

(56) **References Cited**

**U.S. PATENT DOCUMENTS**

101,184	A	*	3/1870	Thomson	.....	217/91
388,867	A	*	9/1888	Hayden	.....	138/115
920,319	A	*	5/1909	Goldie	.....	217/91
1,169,272	A	*	1/1916	Lobley	.....	217/91
1,169,281	A	*	1/1916	Lobley	.....	217/91
1,203,688	A	*	11/1916	Parker	.....	217/91
1,360,792	A	*	11/1920	Prendergast	.....	217/91
1,424,661	A	*	8/1922	Lynn	.....	217/91
1,434,312	A	*	10/1922	Penney	.....	217/91
1,656,199	A	*	1/1928	Hodgson	.....	434/403
1,842,778	A	*	1/1932	Walstrom	.....	217/91
2,228,494	A	*	1/1941	Wilson	.....	217/91
D163,758	S	*	6/1951	Lashley	.....	D11/26
2,583,190	A	*	1/1952	Stuewe	.....	217/89
3,105,406	A	*	10/1963	Ippolito	.....	84/411 R
3,515,373	A	*	6/1970	Abbe	.....	256/32
3,806,096	A	*	4/1974	Eccleston et al.	.....	256/32
3,951,294	A	*	4/1976	Wilson	.....	220/4.31
D255,061	S	*	5/1980	Nichols	.....	D2/638
D257,064	S	*	9/1980	Kobee	.....	D25/38.1

(57) **CLAIM**

I claim the ornamental design for a water reservoir for plants, as shown and described.

**DESCRIPTION**

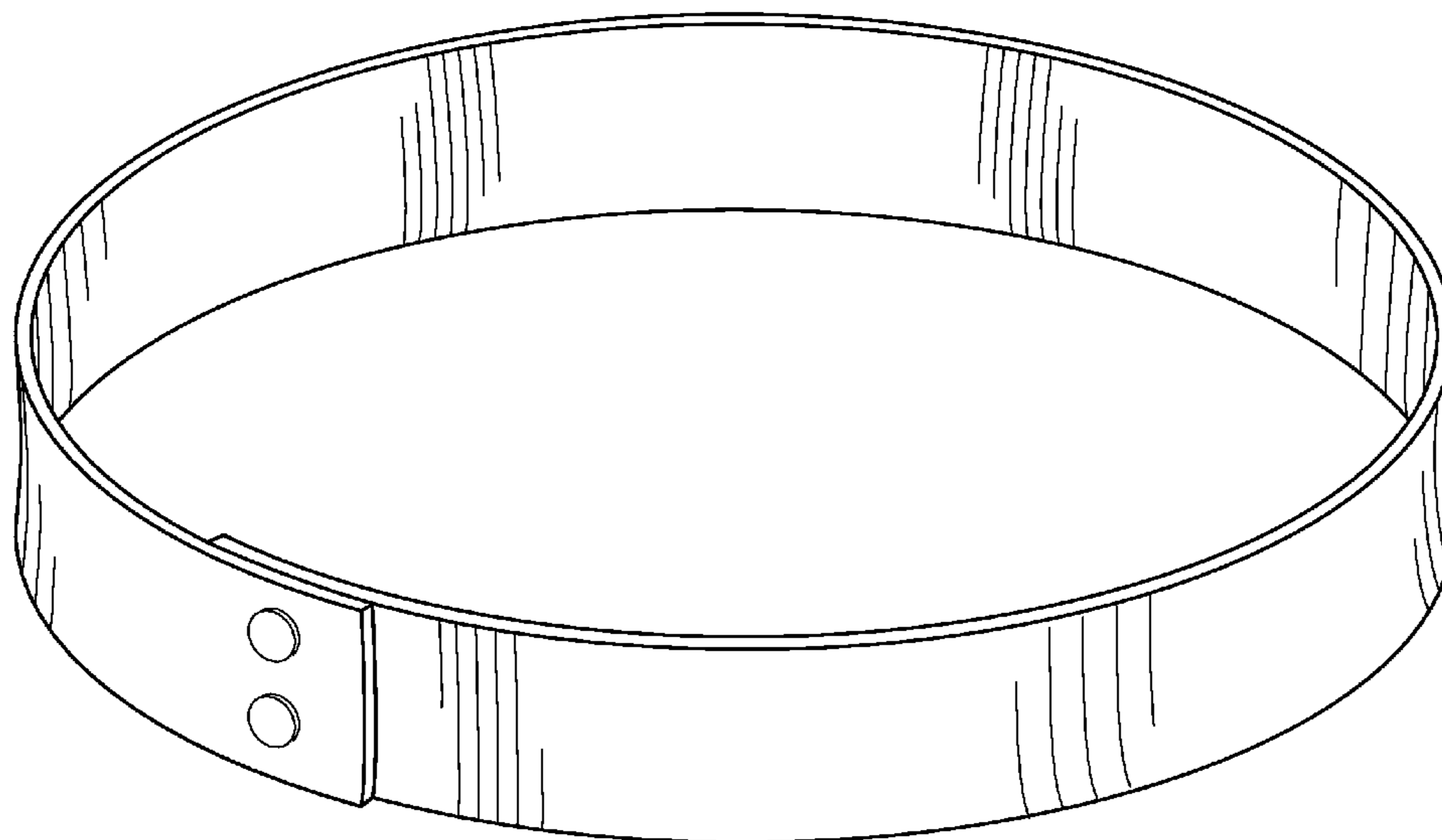
This design application claims priority to U.S. Utility patent application Ser. No. 12/219,291, filed on Jul. 18, 2008.

FIG. 1 is a perspective view of a water reservoir for plants; FIG. 2 is an alternate perspective view of the water reservoir for plants shown in an open position with one pin removed; and,

FIG. 3 is an environmental, perspective view of a water reservoir for plants.

The ground, tree, and stake are included for the purpose of showing environment and form no part of the claimed design.

**1 Claim, 3 Drawing Sheets**



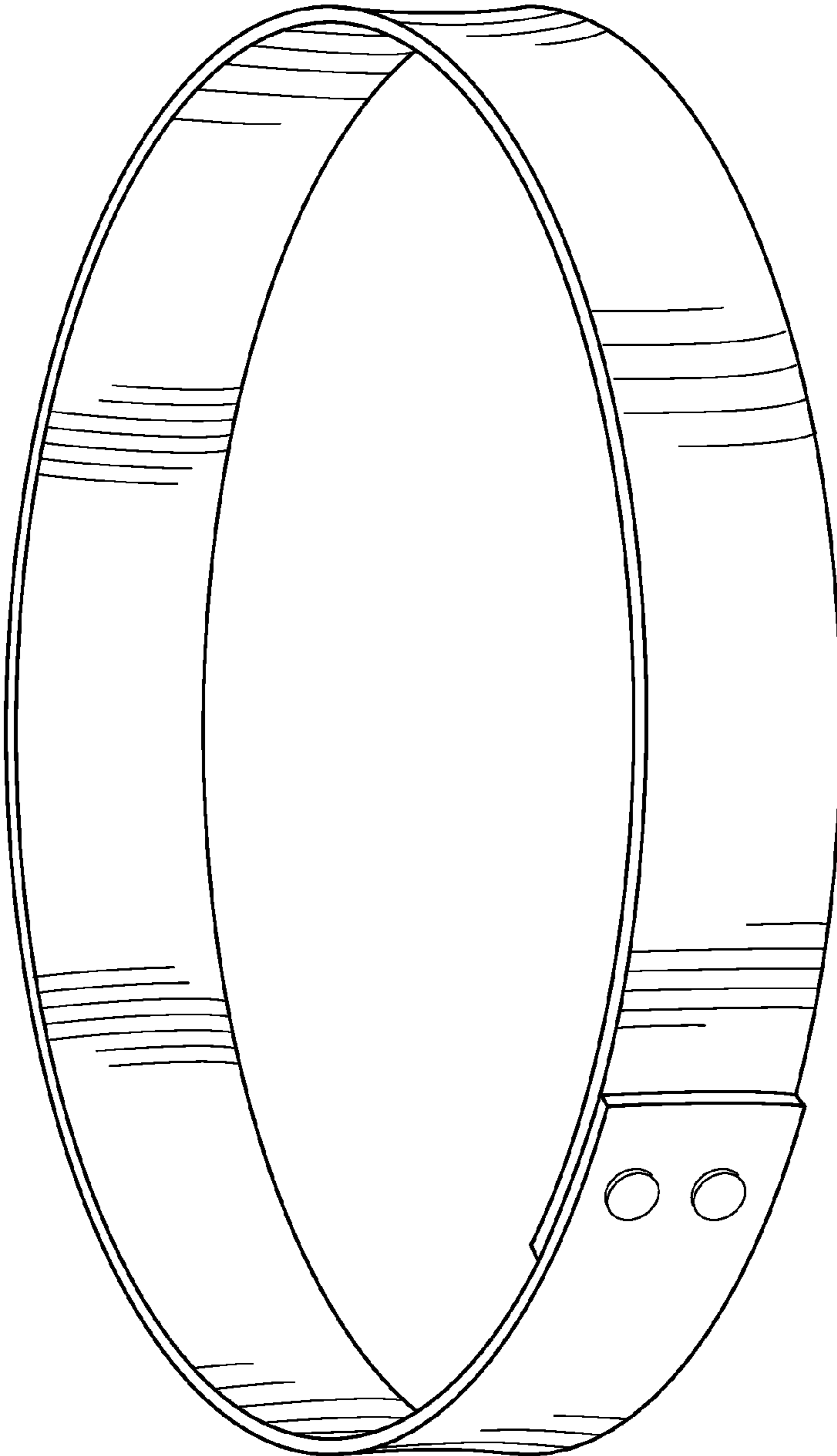


Fig. 1

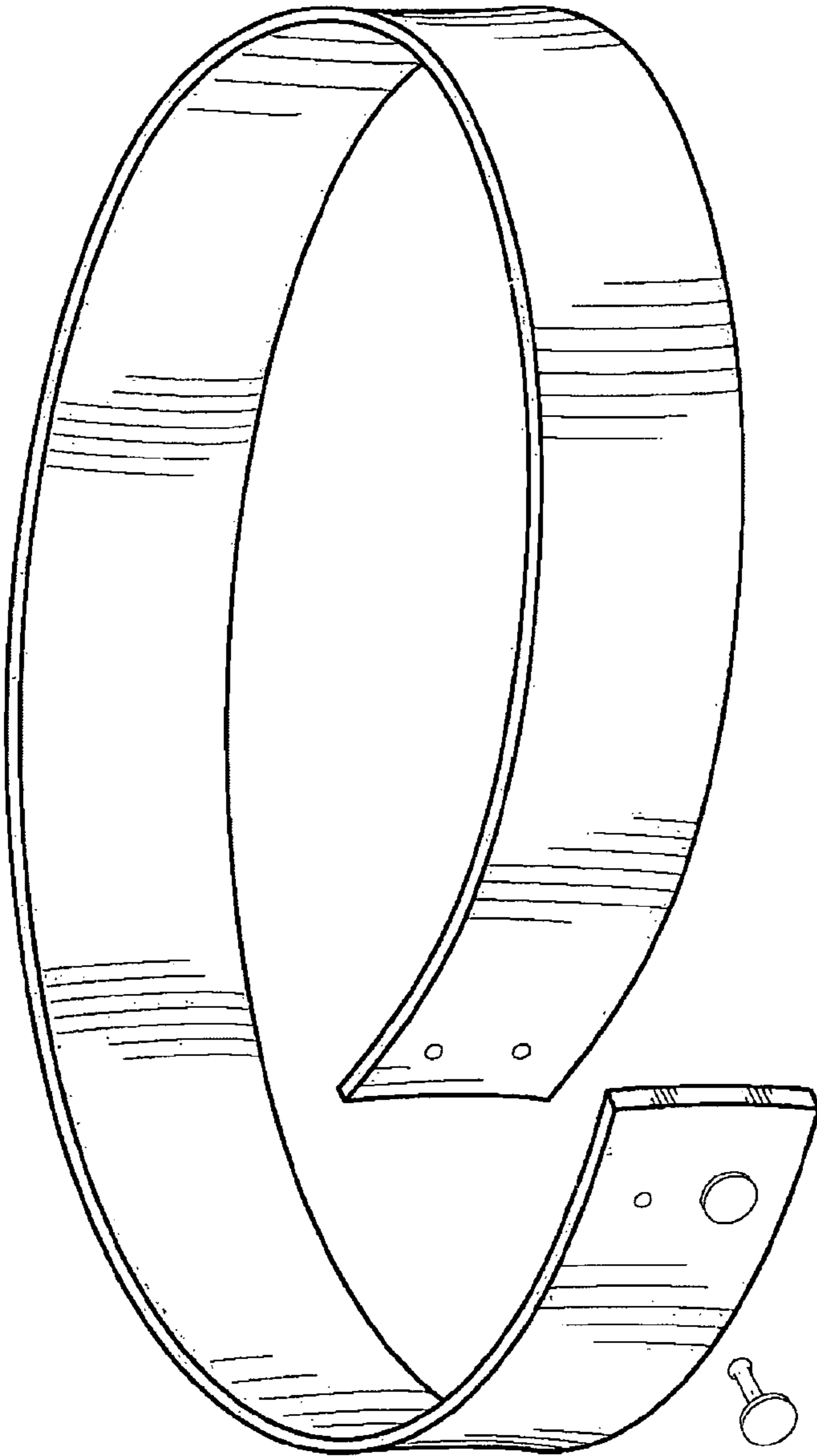


Fig. 2

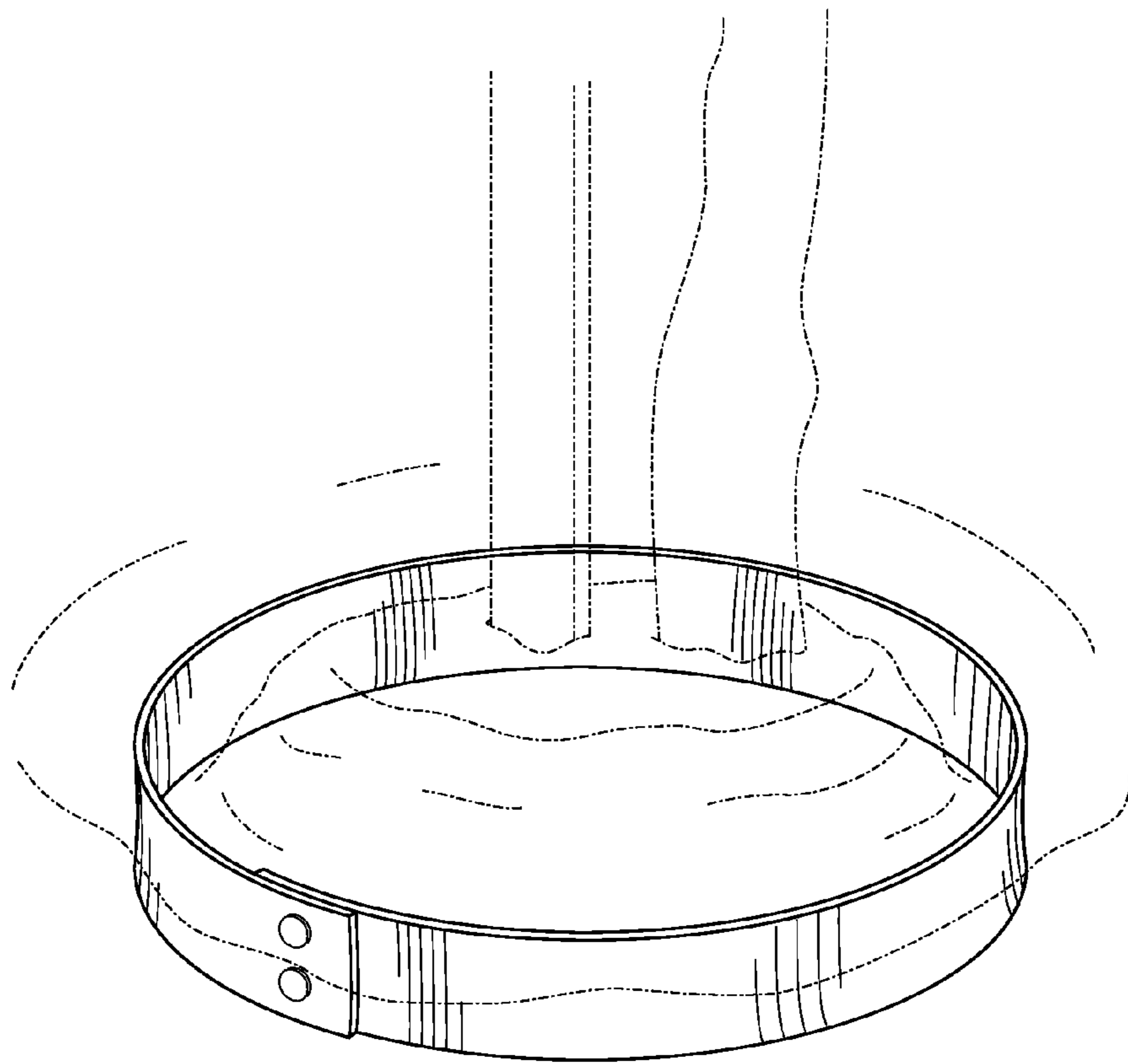


Fig. 3