



US00D676721S

(12) **United States Design Patent**
Button

(10) **Patent No.:** **US D676,721 S**
(45) **Date of Patent:** **** Feb. 26, 2013**

- (54) **GRILL TOP GRIDDLE**
- (76) Inventor: **John Edwin Button**, Sterling Heights, MI (US)
- (**) Term: **14 Years**
- (21) Appl. No.: **29/377,014**
- (22) Filed: **Nov. 22, 2010**
- (51) **LOC (9) Cl.** **07-04**
- (52) **U.S. Cl.** **D7/698**
- (58) **Field of Classification Search** D7/323, D7/354, 363, 402, 408, 409, 543, 546, 550.1, D7/553.3-553.8, 554.1-554.4, 560, 566, D7/584-588, 698; 220/23.2, 534, 543, 573.1-573.3, 220/574.1, 756, 769, 912, 5.82, 407; 99/340, 99/425-426, 430, 433, 450; D3/210, 304, D3/307-314; D9/414, 425, 430-434, 452, D9/456, 755, 760-761, 781-783; D10/46.3; D24/226-230; D34/27; 219/728-730; 249/53 R, 249/117, 136
See application file for complete search history.

(56) **References Cited**

U.S. PATENT DOCUMENTS

1,201,138 A	10/1916	Bingham	
1,961,391 A	6/1934	Reddy et al.	
1,993,356 A	3/1935	Berchman	
D154,671 S	8/1949	Foley	
2,998,159 A	8/1961	Branaman	
D201,760 S	7/1965	Arnold	
D244,169 S	5/1977	Barnsley	
D251,652 S	4/1979	Molloy	
D255,530 S	6/1980	Daenen et al.	
D257,108 S	9/1980	Daenen	
D278,114 S	3/1985	Prophet, Jr. et al.	
D284,058 S	6/1986	Kahn et al.	
5,237,914 A	8/1993	Carstensen	
D352,367 S	11/1994	Gryzlak	
D353,080 S	12/1994	Cantereels et al.	
5,413,032 A	5/1995	Bruno et al.	
5,524,528 A	6/1996	Yeh	
5,678,531 A *	10/1997	Byers et al.	126/25 R
5,911,812 A	6/1999	Stanek et al.	
5,957,123 A	9/1999	Addonizio, Jr. et al.	

D420,851 S *	2/2000	Wagner et al.	D7/407
6,057,528 A	5/2000	Cook	
D430,458 S	9/2000	Kellermann	
D467,698 S	12/2002	Holbrook	
D468,580 S	1/2003	Ruiseco	
D480,277 S	10/2003	Claypool	
6,640,695 B2 *	11/2003	Stark	99/447
6,736,051 B2	5/2004	Frantz et al.	
D494,470 S	8/2004	Guyot	
D559,615 S	1/2008	Laib et al.	
7,647,866 B2 *	1/2010	Button	99/422
7,661,421 B1	2/2010	Lustig et al.	
D613,117 S *	4/2010	Richburg	D7/409
D614,915 S *	5/2010	Schnitman et al.	D7/409
D618,043 S	6/2010	Zemel	
D632,925 S *	2/2011	Sasken-Duff	D7/409
D640,500 S *	6/2011	Button	D7/362
D641,210 S	7/2011	Hamilton	
D645,295 S	9/2011	Klesath	

(Continued)

OTHER PUBLICATIONS

- Photograph of Little Griddle brand griddle sold in 2001.
- One (1) page advertisement brochure of Griddle-Q brand griddle sold in 2002.
- One (1) page advertisement of Griddle-Q brand griddle sold in 2003.
- Two (2) pages of advertisement for Griddle-Q brand griddle sold before Oct. 6, 2004.

(Continued)

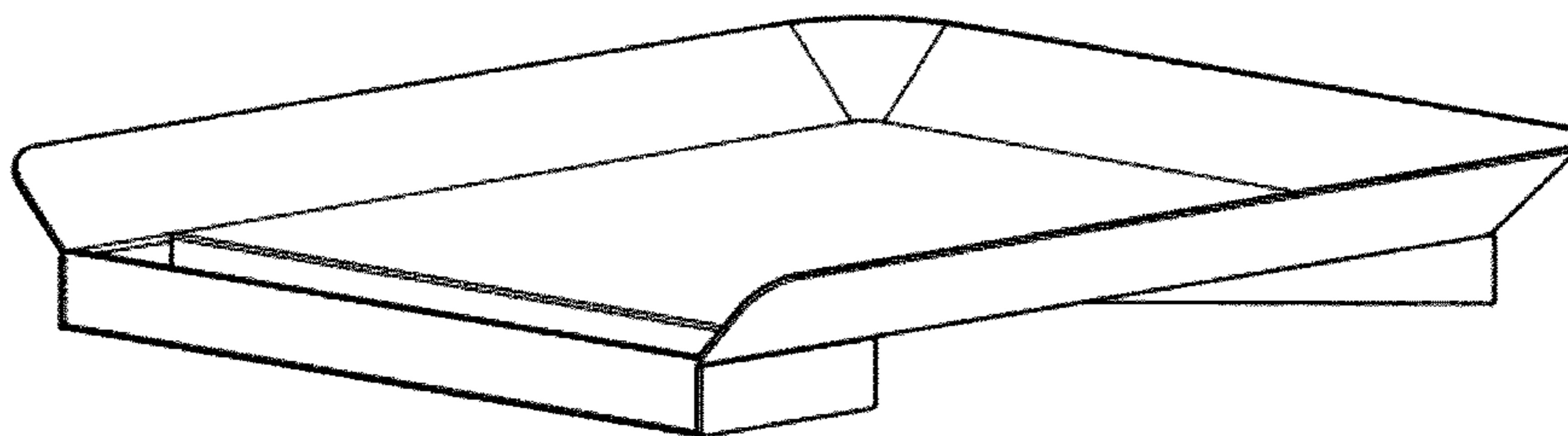
Primary Examiner — Zenia Bennett
(74) *Attorney, Agent, or Firm* — Young Basile

(57) **CLAIM**
The ornamental design for a grill top griddle, as shown and described.

DESCRIPTION

FIG. 1 is a perspective view showing my design for a grill top griddle;
FIG. 2 is a top view of the grill top griddle of FIG. 1;
FIG. 3 is right end view of the grill top griddle of FIG. 1, the left end view being a symmetrically opposite of FIG. 3;
FIG. 4 is a front elevational view of the grill top griddle of FIG. 1;
FIG. 5 is a rear elevational view of the grill top griddle of FIG. 1; and,
FIG. 6 is a bottom view of the grill top griddle of FIG. 1.

1 Claim, 2 Drawing Sheets



US D676,721 S

Page 2

U.S. PATENT DOCUMENTS

D655,989 S * 3/2012 Nelms D7/698
2002/0096056 A1 7/2002 Hopkins
2005/0045170 A1 3/2005 Lerner
2005/0204931 A1 9/2005 Cheng
2007/0137499 A1 6/2007 Leon et al.

OTHER PUBLICATIONS

One (1) photograph of Griddle-Q brand griddle sold before Oct. 6, 2004.

* cited by examiner

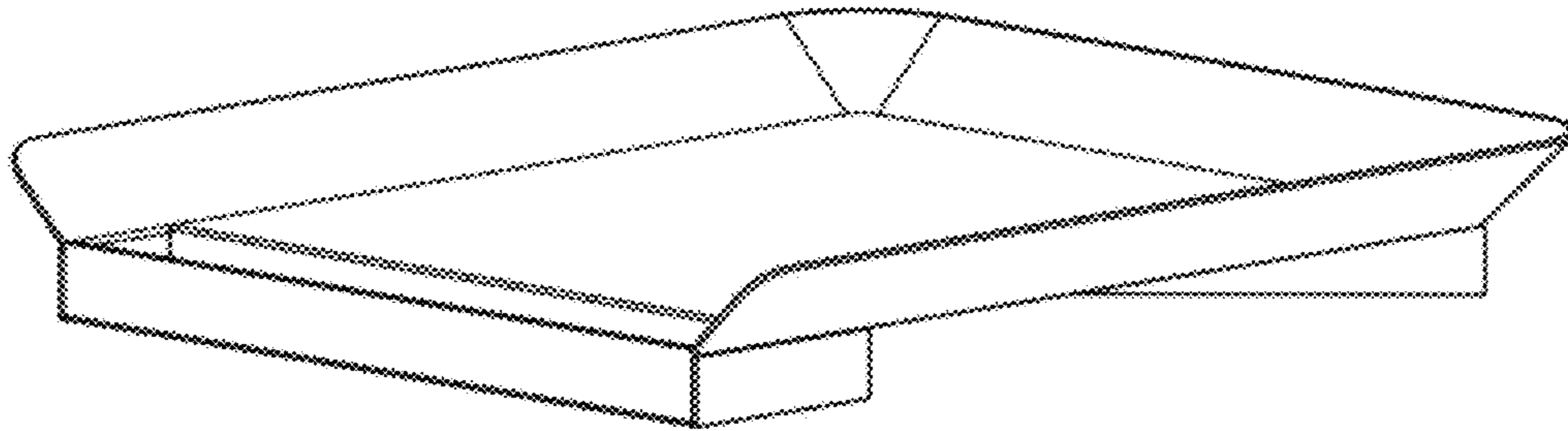


FIG. 1

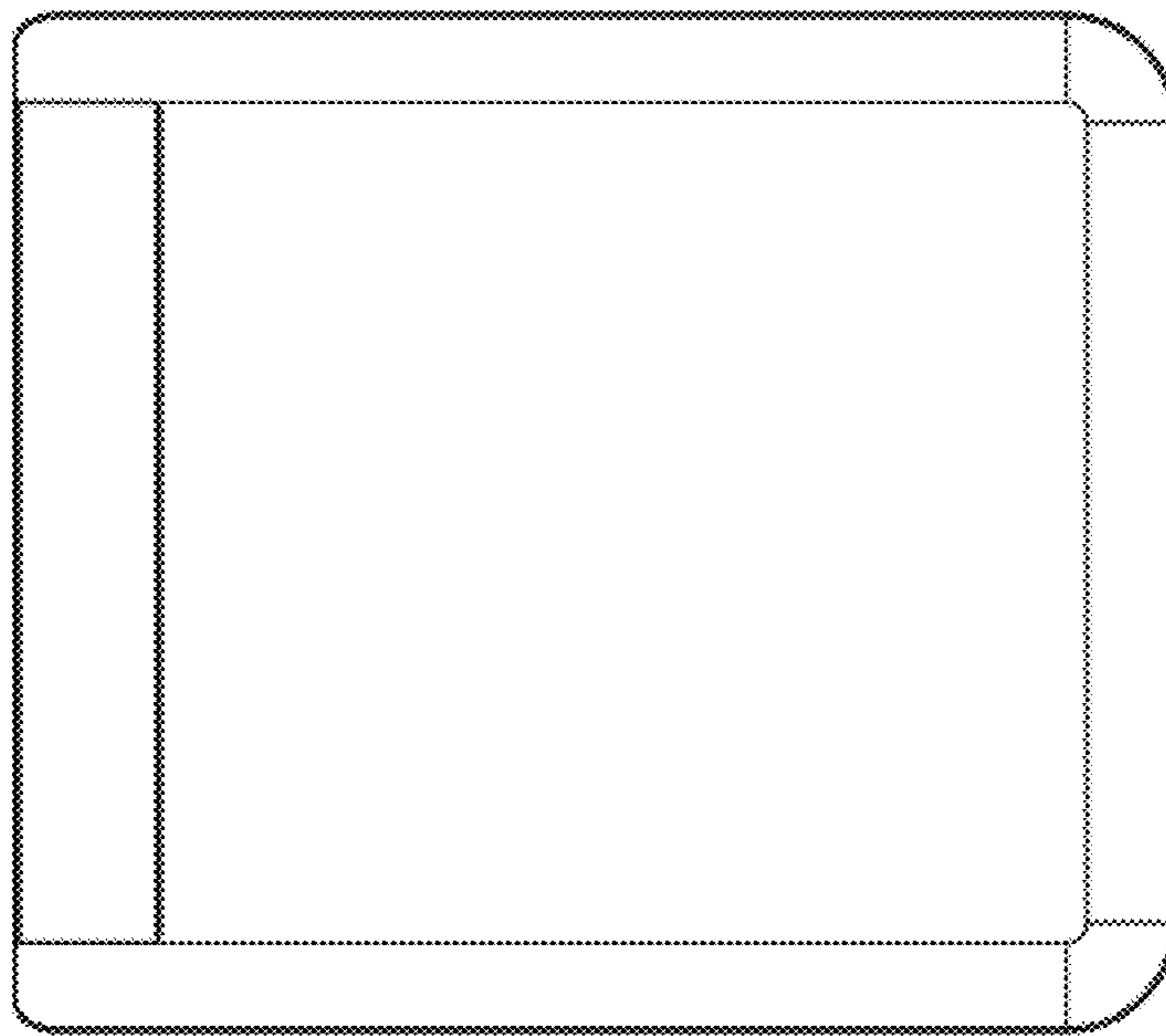


FIG. 2



FIG. 3

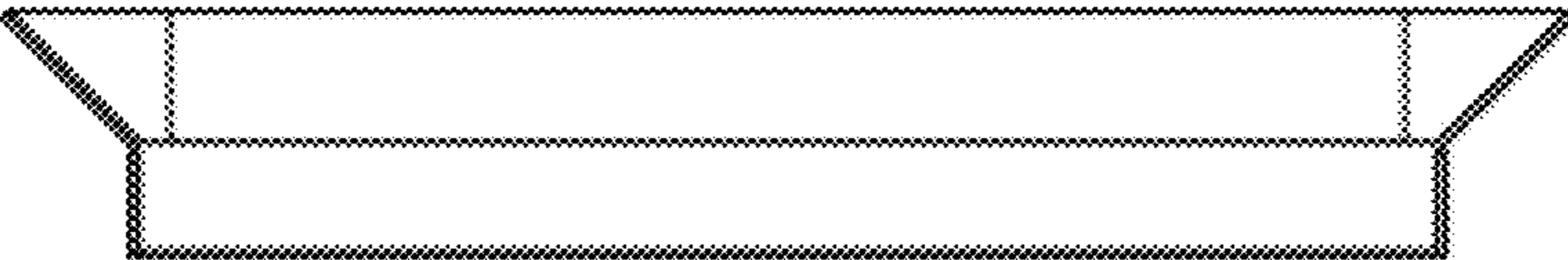


FIG. 4



FIG. 5

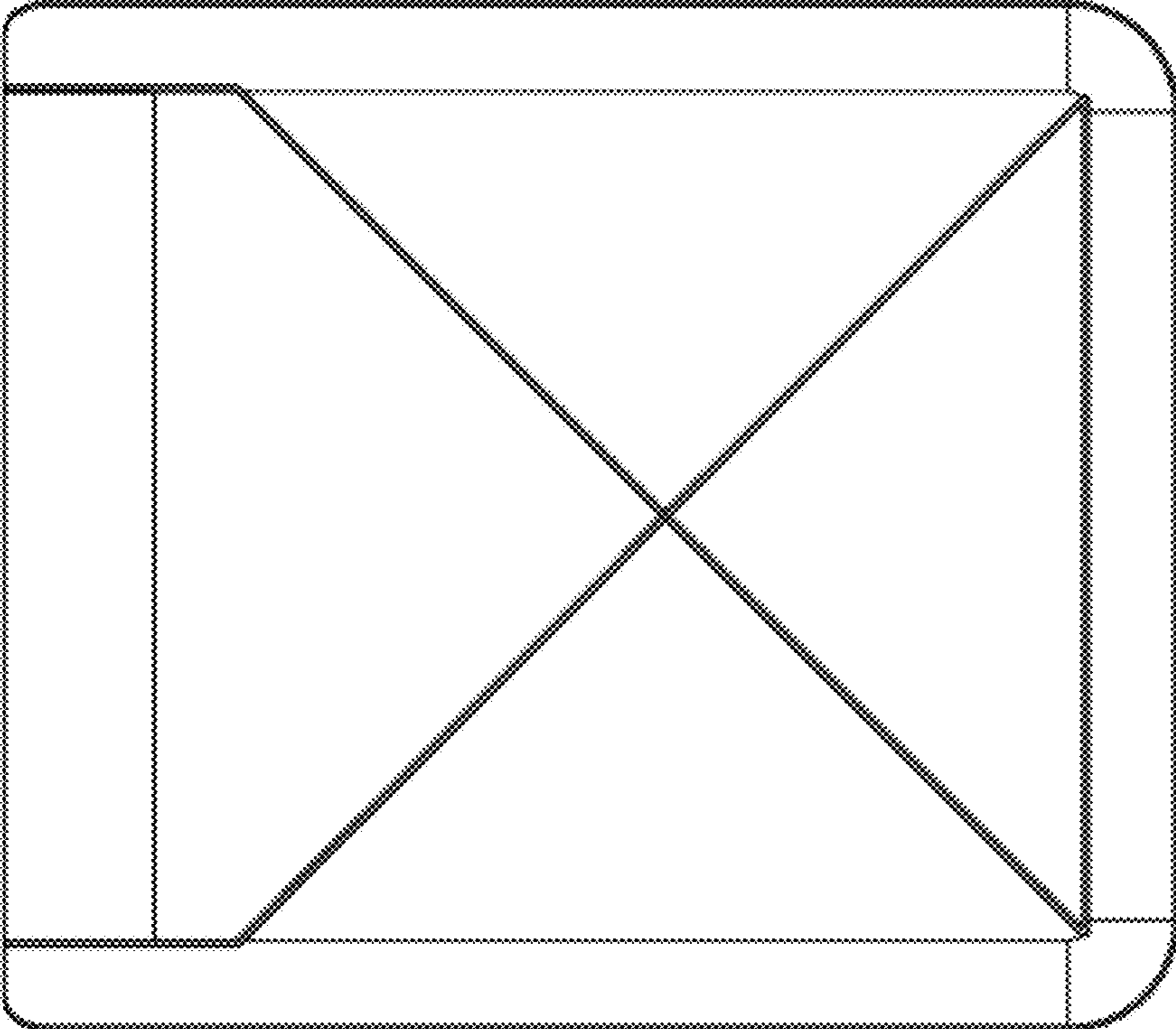


FIG. 6