



US00D676717S

(12) **United States Design Patent**  
**Ceder**

(10) **Patent No.:** **US D676,717 S**

(45) **Date of Patent:** **\*\* Feb. 26, 2013**

(54) **PROTECTIVE BOTTLE CASE**

(75) Inventor: **Julien Ceder**, Reims (FR)

(73) Assignee: **MHCS**, Epernay (FR)

(\*\*) Term: **14 Years**

(21) Appl. No.: **29/373,911**

(22) Filed: **Jun. 6, 2011**

(51) **LOC (9) Cl.** ..... **07-06**

(52) **U.S. Cl.** ..... **D7/624.2**

(58) **Field of Classification Search** ..... D7/605–608,  
D7/707–708, 619.1–625, 601–602, 700;  
62/457.8, 457.9, 457.4; 220/737, 739, 902,  
220/903; 215/386, 393–396, 12.1; 248/311.2,  
248/309.1, 346.01, 346.11; D9/444  
See application file for complete search history.

(56) **References Cited**

**U.S. PATENT DOCUMENTS**

1,625,183	A *	4/1927	Abbott	.....	215/13.1
1,957,677	A *	5/1934	Soper et al.		
D112,948	S *	1/1939	Morgan	.....	D7/608
2,729,259	A *	1/1956	Abrams	.....	215/12.1
3,229,840	A *	1/1966	Filleul	.....	215/2
3,779,298	A *	12/1973	Piccirilli et al.	.....	220/4.21
D247,392	S *	2/1978	Coleman	.....	D3/289
4,197,890	A *	4/1980	Simko	.....	383/97
4,510,769	A *	4/1985	McClellan, Jr.	.....	62/457.8
4,708,254	A *	11/1987	Byrns	.....	215/13.1
5,148,682	A *	9/1992	Wolf	.....	62/59
5,833,069	A *	11/1998	Jones	.....	206/522
D417,395	S *	12/1999	Sherts et al.	.....	D9/444
6,308,846	B1 *	10/2001	Muller	.....	215/13.1
6,550,271	B2 *	4/2003	Silbert	.....	62/457.4
6,568,660	B1 *	5/2003	Flanbaum	.....	261/76
D524,157	S *	7/2006	Bolden	.....	D9/444
7,284,677	B2 *	10/2007	Guevara	.....	220/737
D591,594	S *	5/2009	Jalet	.....	D9/440
D614,451	S *	4/2010	Jensen et al.	.....	D7/624.2
D619,422	S *	7/2010	Parker et al.	.....	D7/607
D663,172	S *	7/2012	Huynh	.....	D7/700
2004/0124192	A1 *	7/2004	Teller	.....	220/23.9
2010/0072159	A1 *	3/2010	Yang	.....	215/6
2010/0243487	A1 *	9/2010	James	.....	206/217

**FOREIGN PATENT DOCUMENTS**

CH	560 632	4/1975
EP	0 911 271	4/1999
FR	2 549 009	1/1985
WO	2007/067766	6/2007

**OTHER PUBLICATIONS**

Utility U.S. Appl. No. 13/089,947, filed Apr. 19, 2011—First named inventor: Julien Ceder.

\* cited by examiner

*Primary Examiner* — Jeffrey D Asch

(74) *Attorney, Agent, or Firm* — Fross Zelnick Lehrman & Zissu, P.C.; Charles T. J. Weigell, Esq.

(57) **CLAIM**

The ornamental design for a protective bottle case, as shown and described.

**DESCRIPTION**

FIG. 1 is a front perspective view of a protective bottle case showing my new design, with opaque central portion;

FIG. 2 is a bottom perspective view of the protective bottle case shown in FIG. 1, with opaque central portion;

FIG. 3 is a side view of the protective bottle case shown in FIG. 1 (with the other side view being a mirror image thereof), with opaque central portion;

FIG. 4 is a top view of the protective bottle case shown in FIG. 1, with opaque central portion;

FIG. 5 is a bottom view of the protective bottle case shown in FIG. 1, with opaque central portion;

FIG. 6 is an exploded perspective view of the spout portion of the protective bottle case, central portion of the protective bottle case, and bottom portion of the protective bottle case shown in FIG. 1, with opaque central portion;

FIG. 7 is a front perspective view of an alternative embodiment of the protective bottle case shown in FIG. 1, with transparent central portion;

FIG. 8 is a bottom perspective view of the alternative embodiment of the protective bottle case shown in FIG. 7, with transparent central portion;

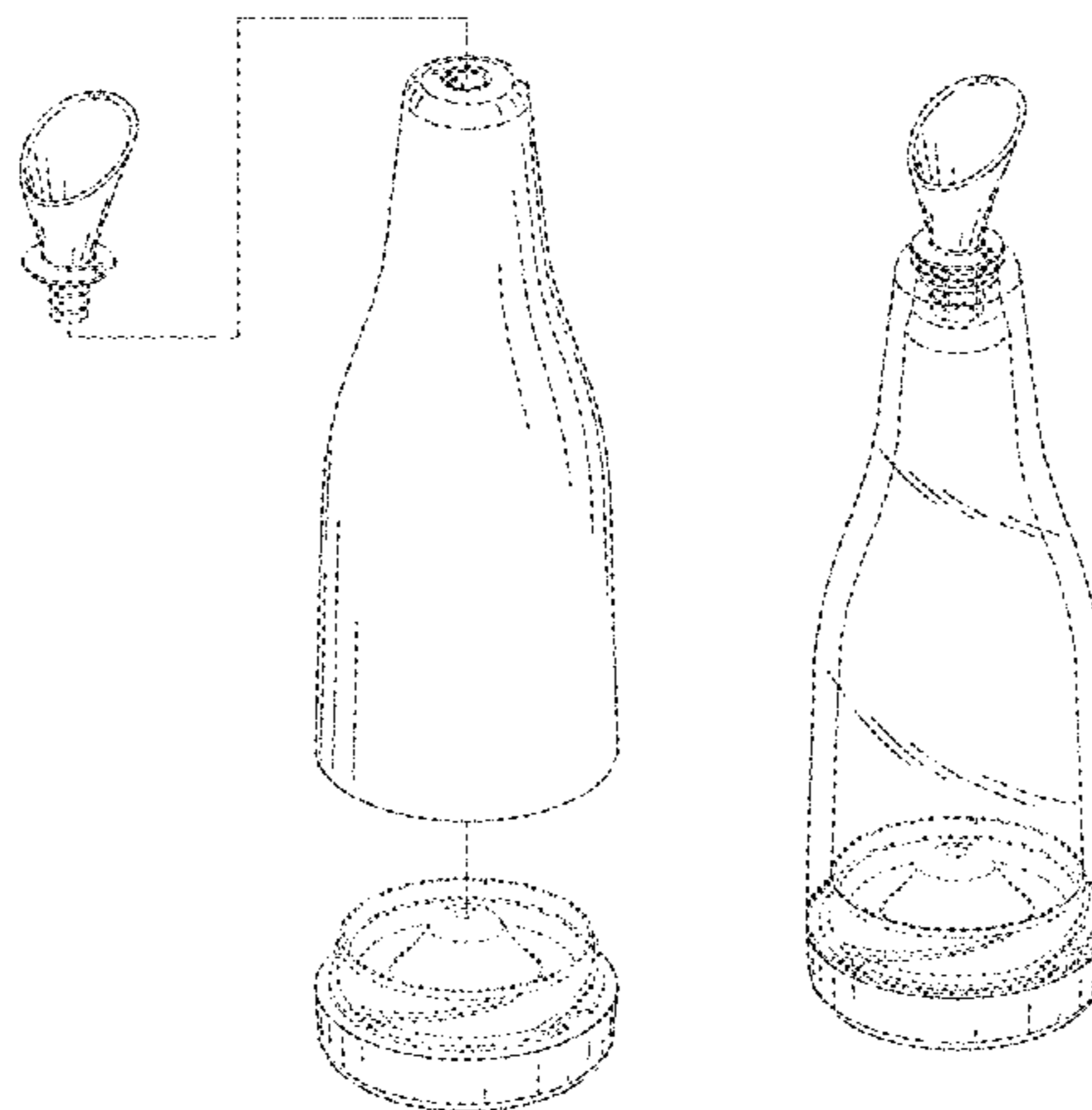


FIG. 9 is a side view of the alternative embodiment of the protective bottle case shown in FIG. 7 (with the other side view being a mirror image thereof), with transparent central portion;

FIG. 10 is a top view of the alternative embodiment of the protective bottle case shown in FIG. 7, with transparent central portion;

FIG. 11 is a bottom view of the alternative embodiment of the protective bottle case shown in FIG. 7, with transparent central portion;

FIG. 12 is an exploded perspective view of the spout portion of the protective bottle case, central portion of the protective bottle case, and bottom portion of the protective bottle case shown in FIG. 7, with transparent central portion;

FIG. 13 is a top view of the bottom portion alone of the protective bottle case shown in FIG. 1;

FIG. 14 is a front view of the bottom portion of the protective bottle case alone shown in FIG. 13 (with the rear and side views being the same);

FIG. 15 is a front view of the spout portion alone of the protective bottle case shown in FIG. 1;

FIG. 16 is a side view of the spout portion of the protective bottle case shown in FIG. 15 (with the other side view being a mirror image thereof);

FIG. 17 is a top view of the spout portion of the protective bottle case shown in FIG. 15; and,

FIG. 18 is a bottom view of the spout portion of the protective bottle case shown in FIG. 15.

The bottom and top spout portions have been shown separate in FIGS. 13-18 solely for convenience and clarity of illustration. The claim is directed to the design for the complete protective bottle case.

The even broken lines shown in the views that are immediately adjacent to the shaded areas and define unshaded regions, represent the bounds of the claimed design, while all other even broken lines are directed to non-claimed portions and are for illustrative purposes only; the broken lines form no part of the claimed design. The dot-dash broken lines in FIGS. 6 and 12 indicate the exploded nature of the views.

**1 Claim, 8 Drawing Sheets**

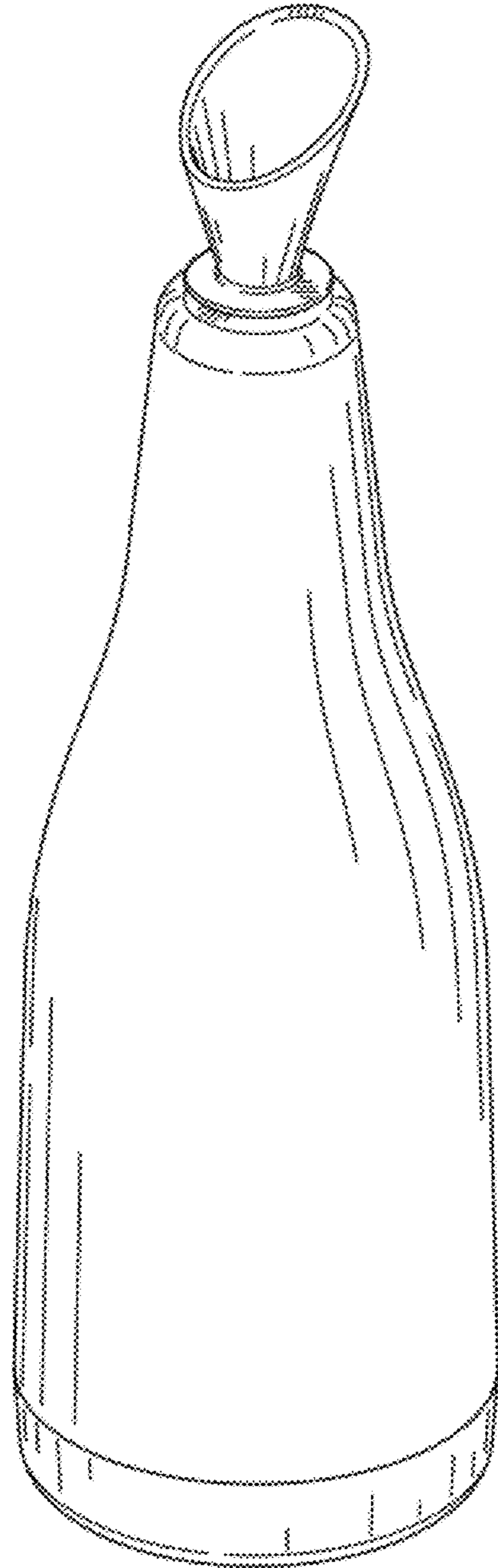


FIG. 1

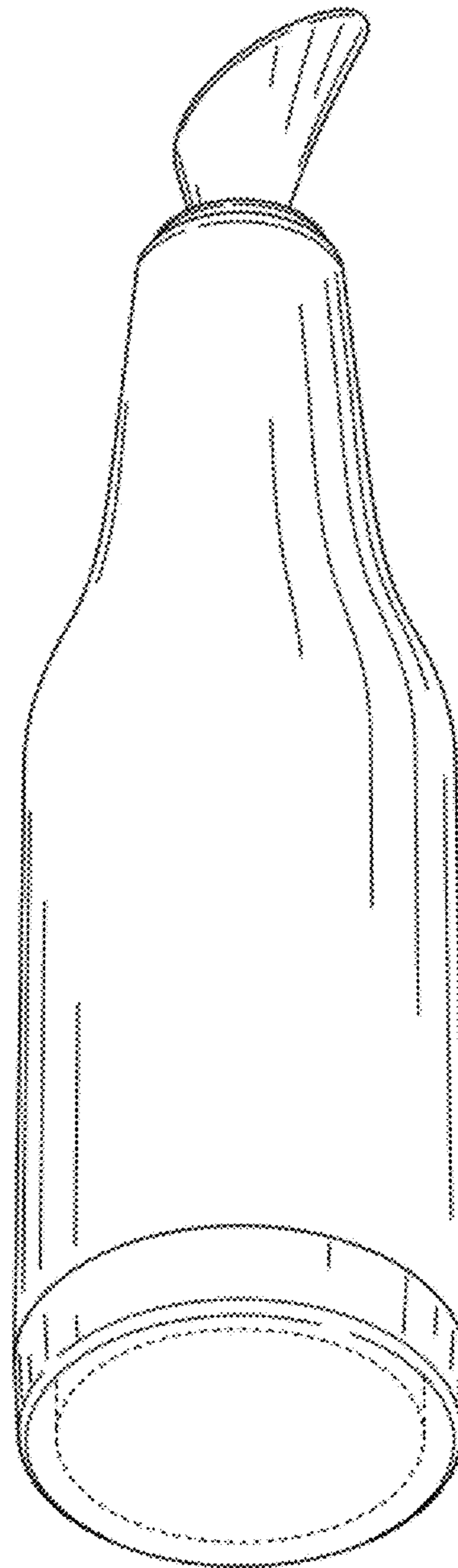


FIG. 2

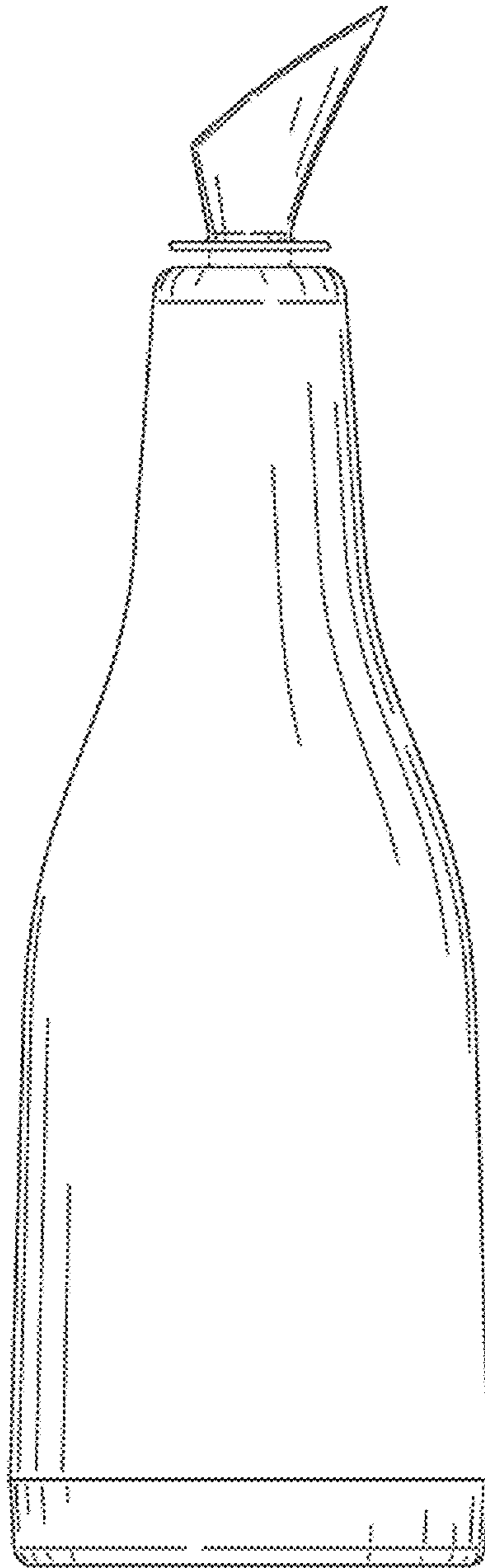


FIG. 3

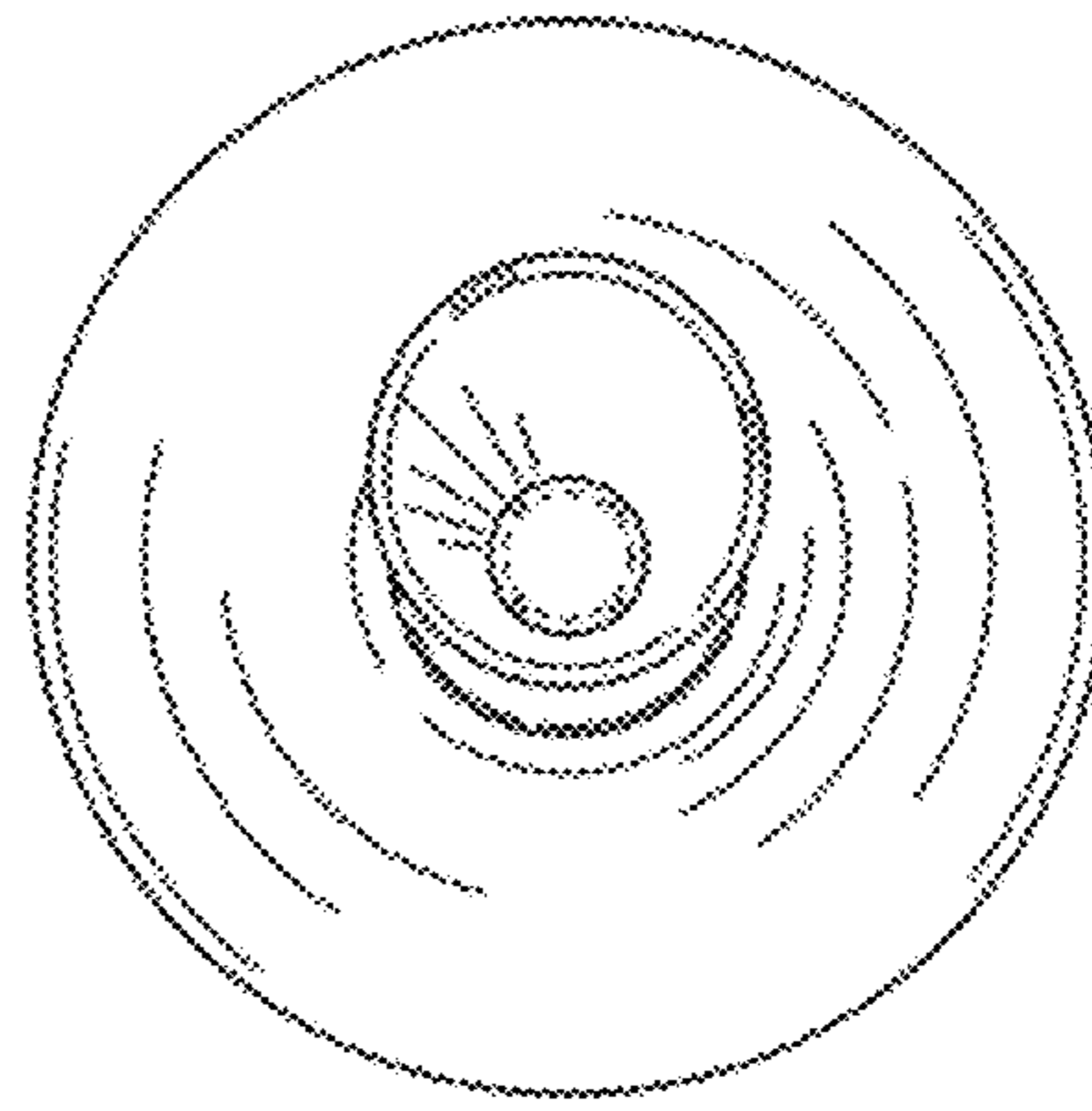


FIG. 4

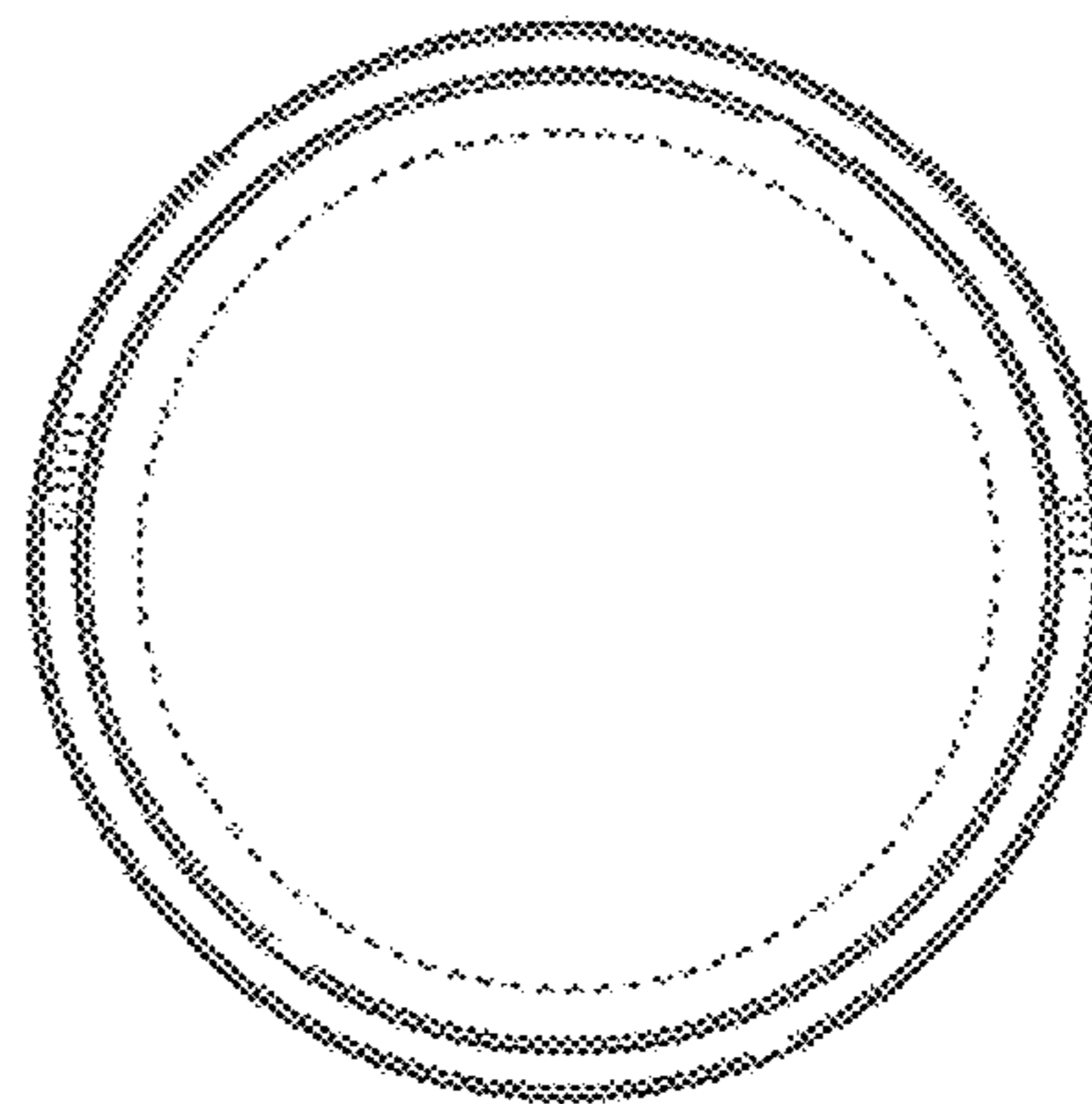


FIG. 5

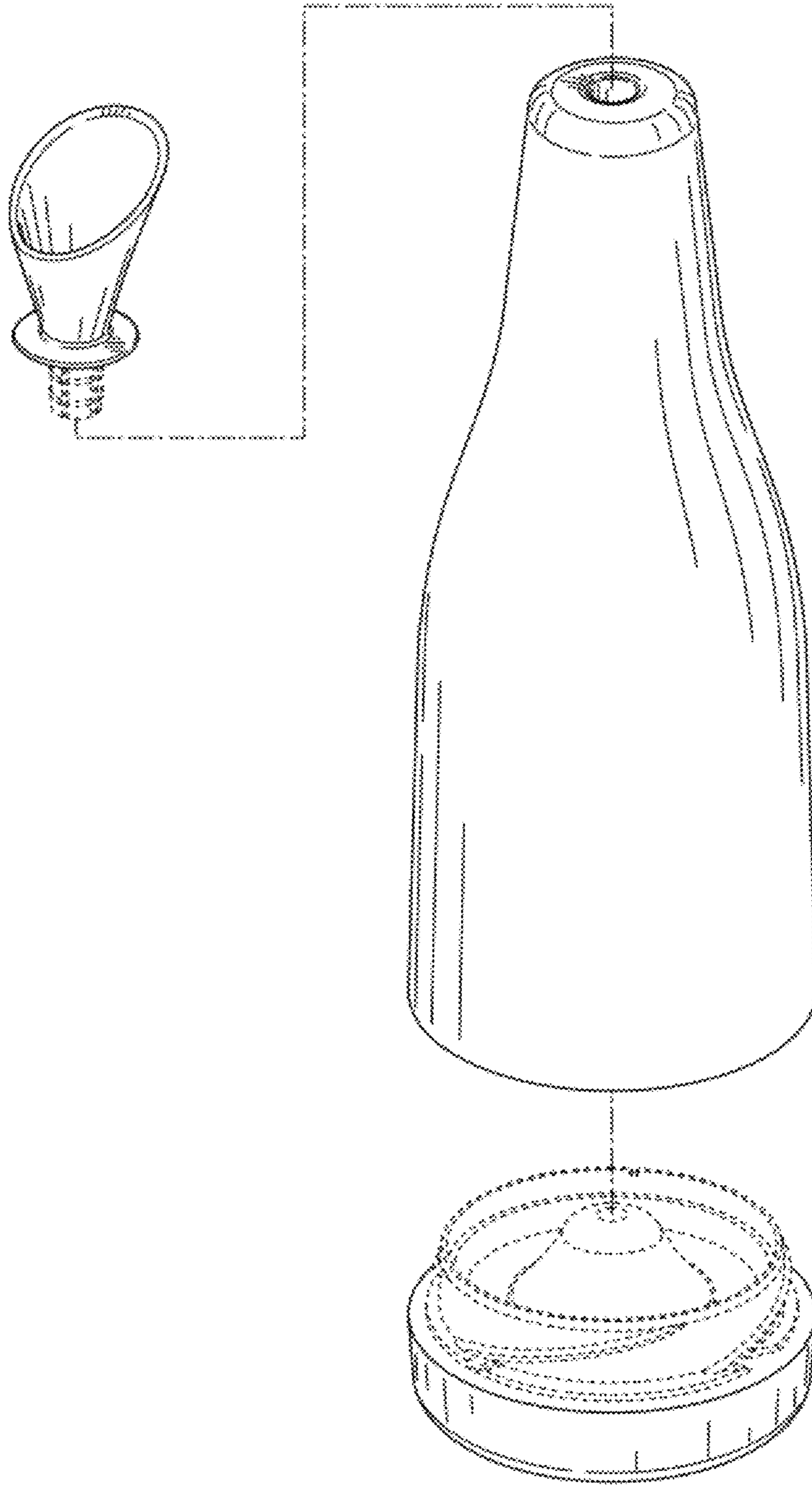


FIG. 6

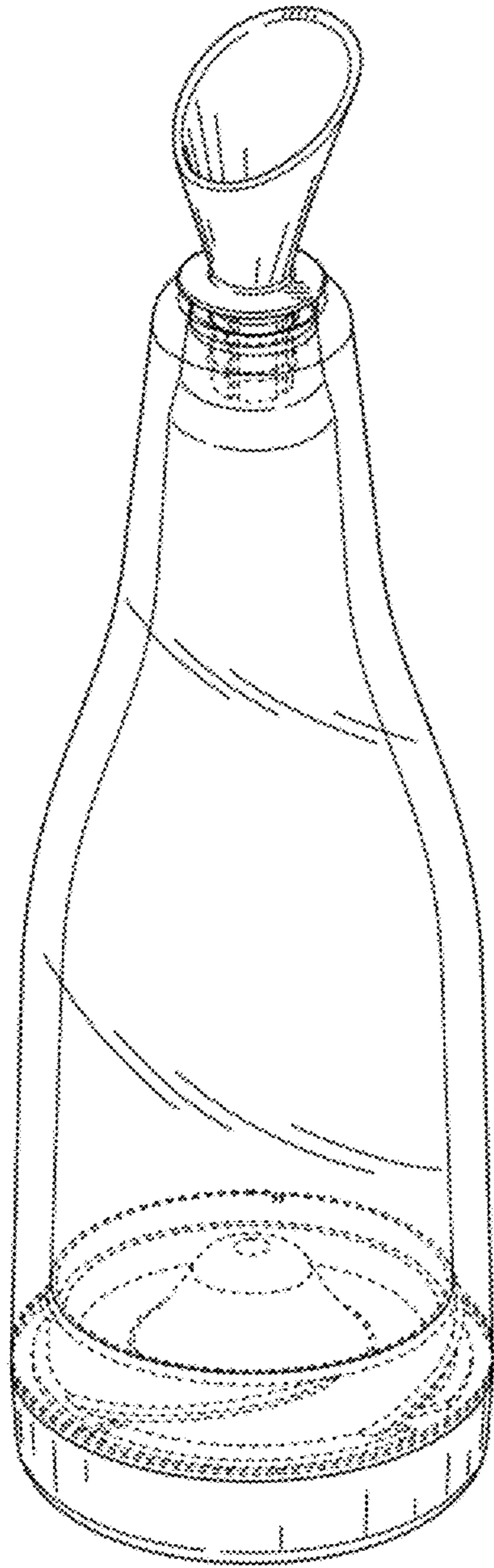


FIG. 7

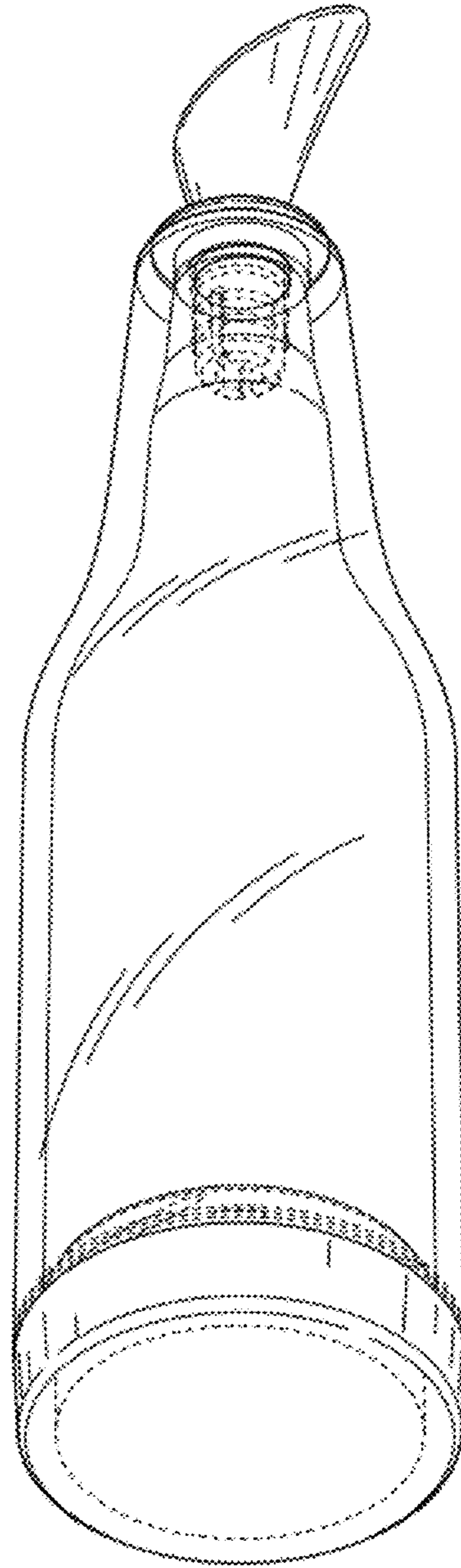


FIG. 8

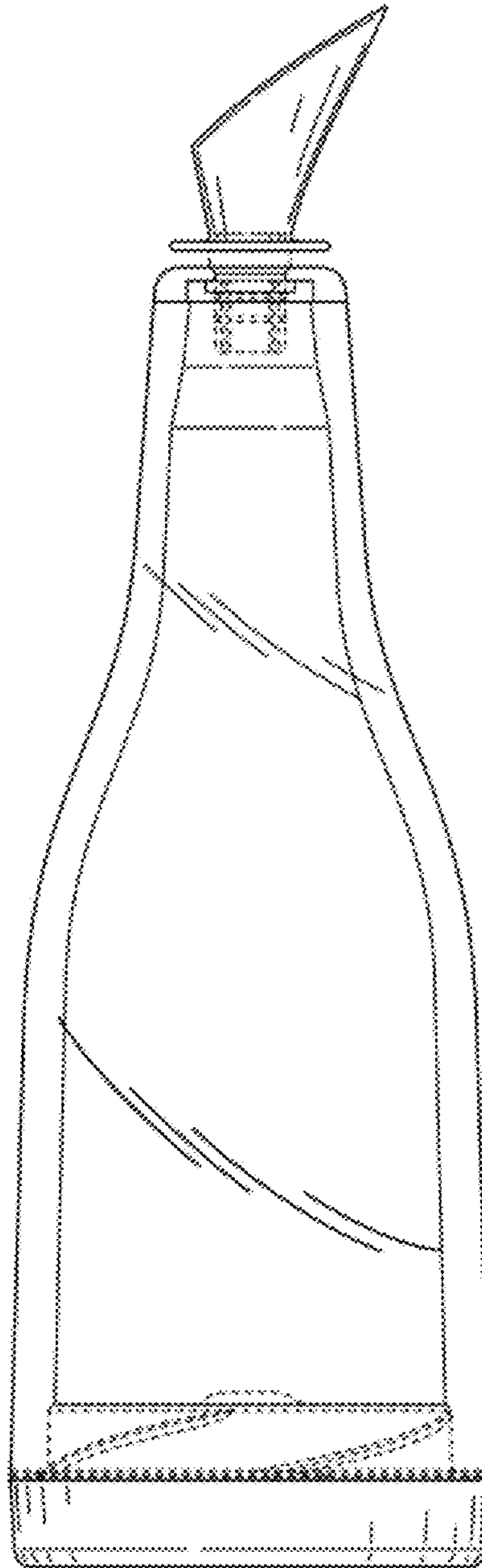


FIG. 9

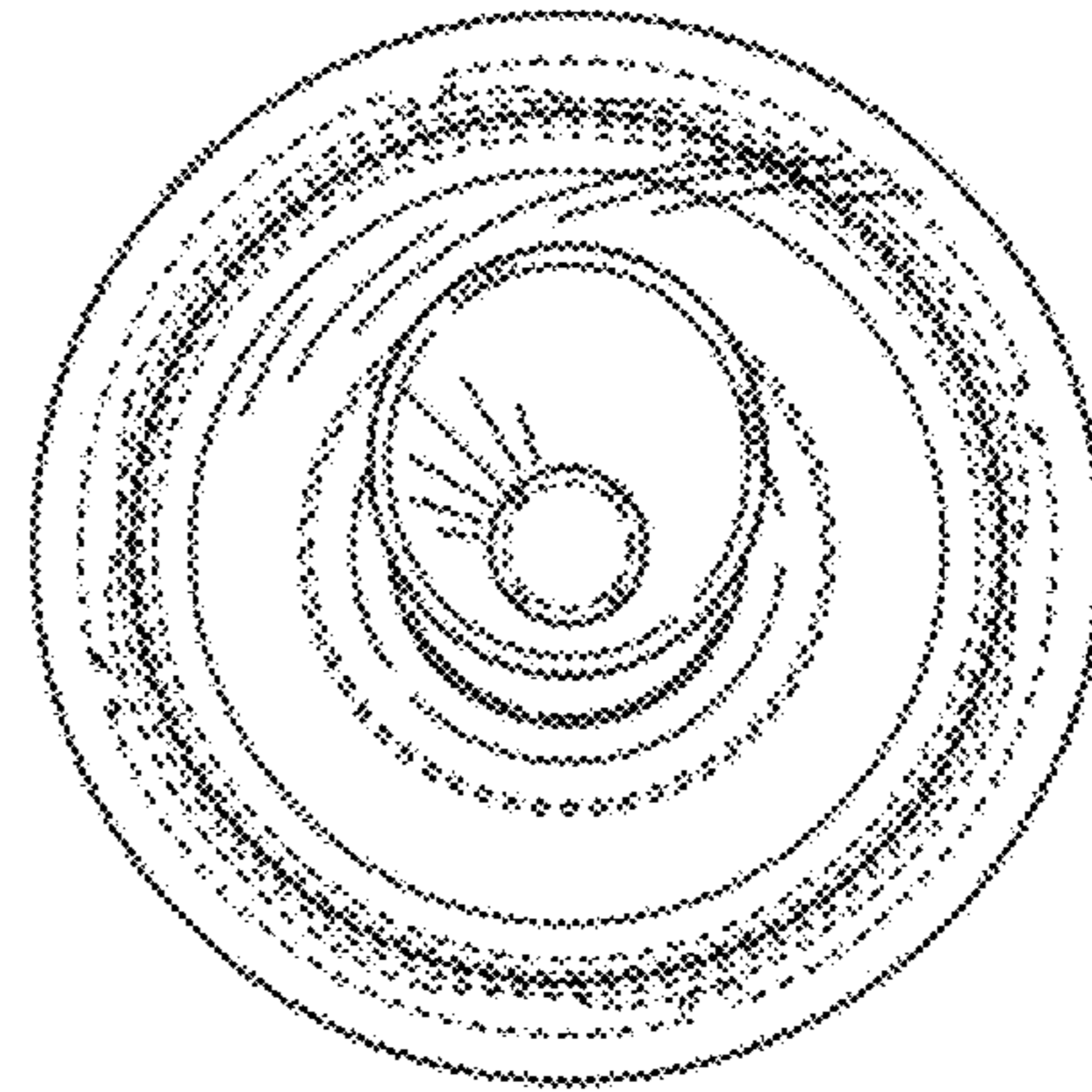


FIG. 10

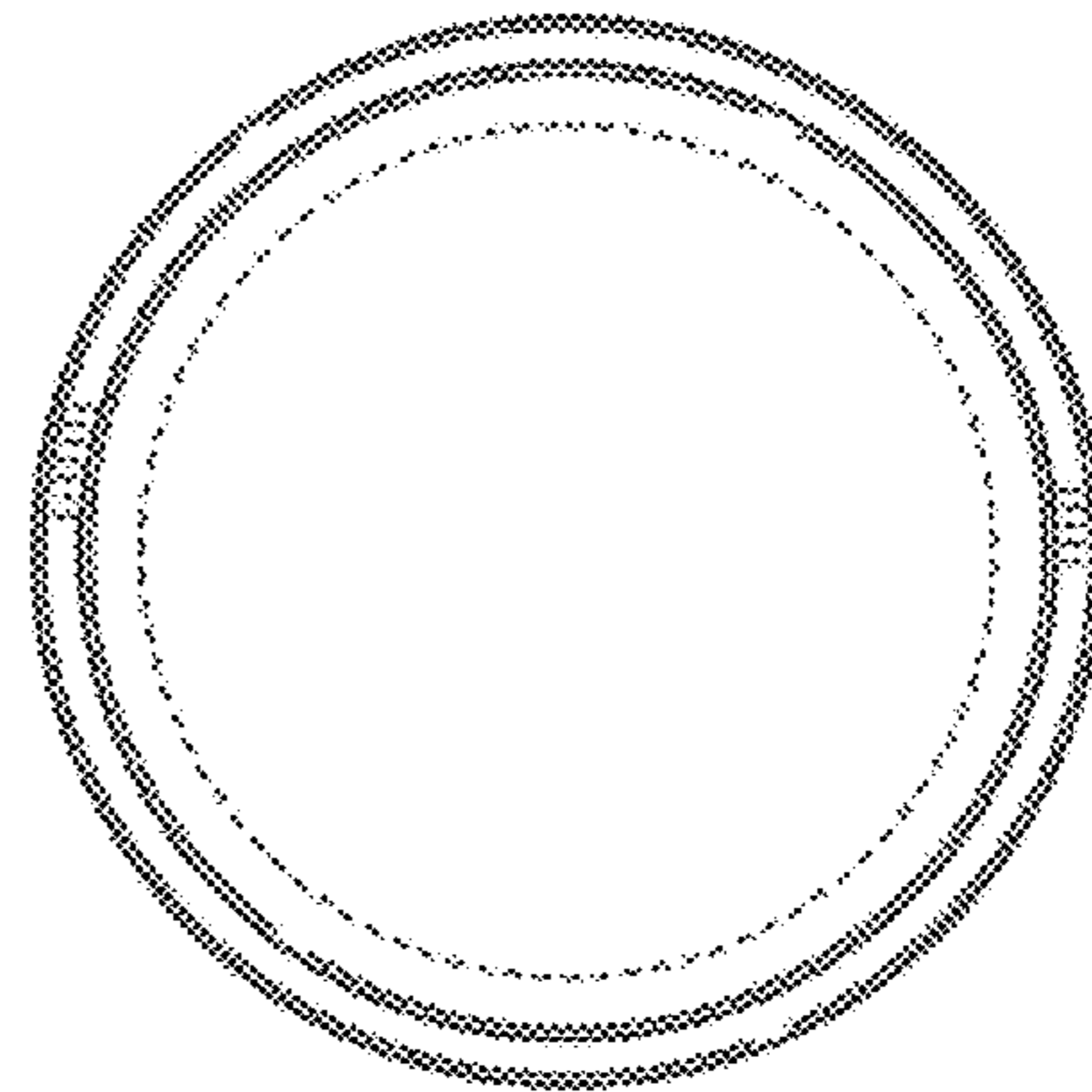


FIG. 11

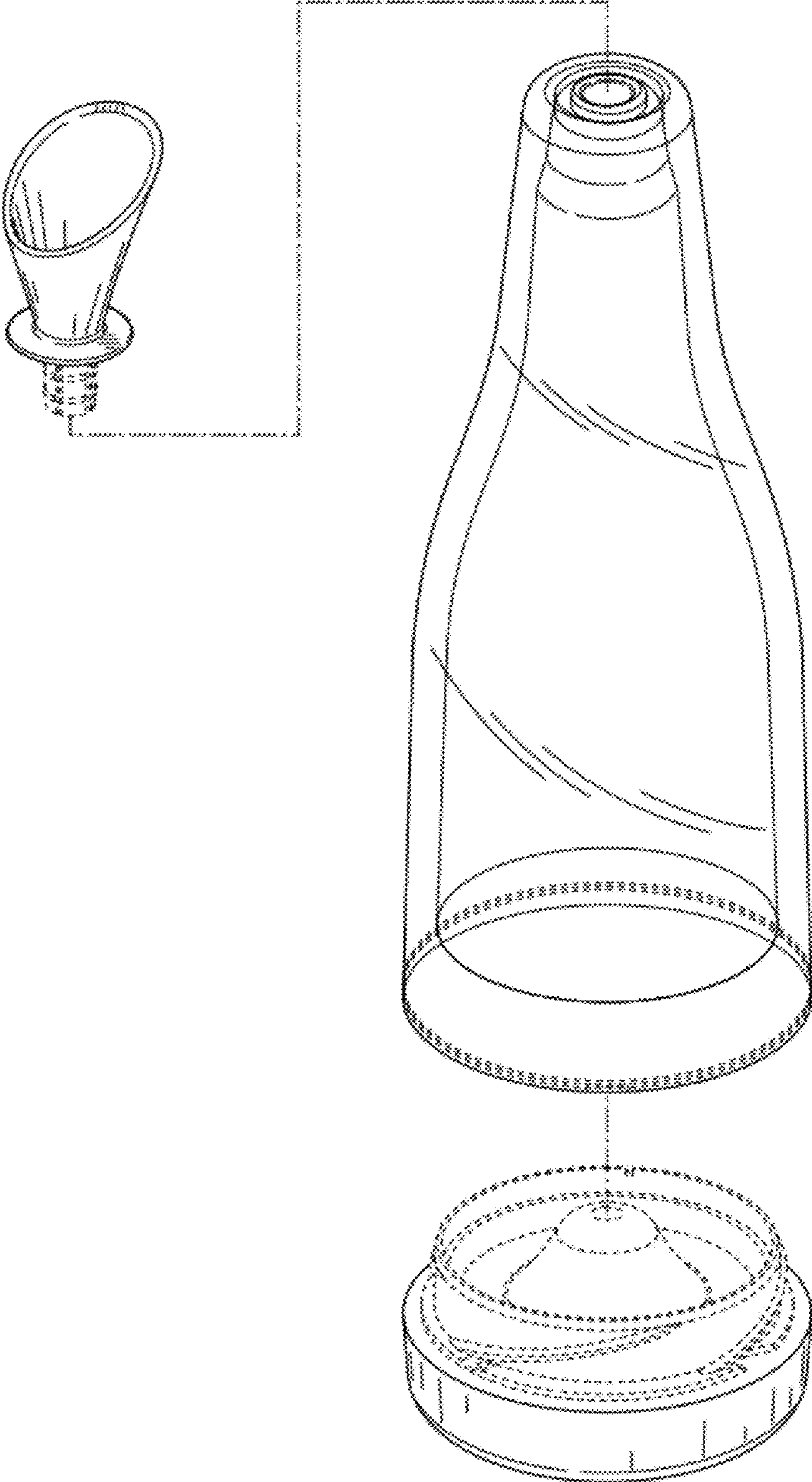


FIG. 12



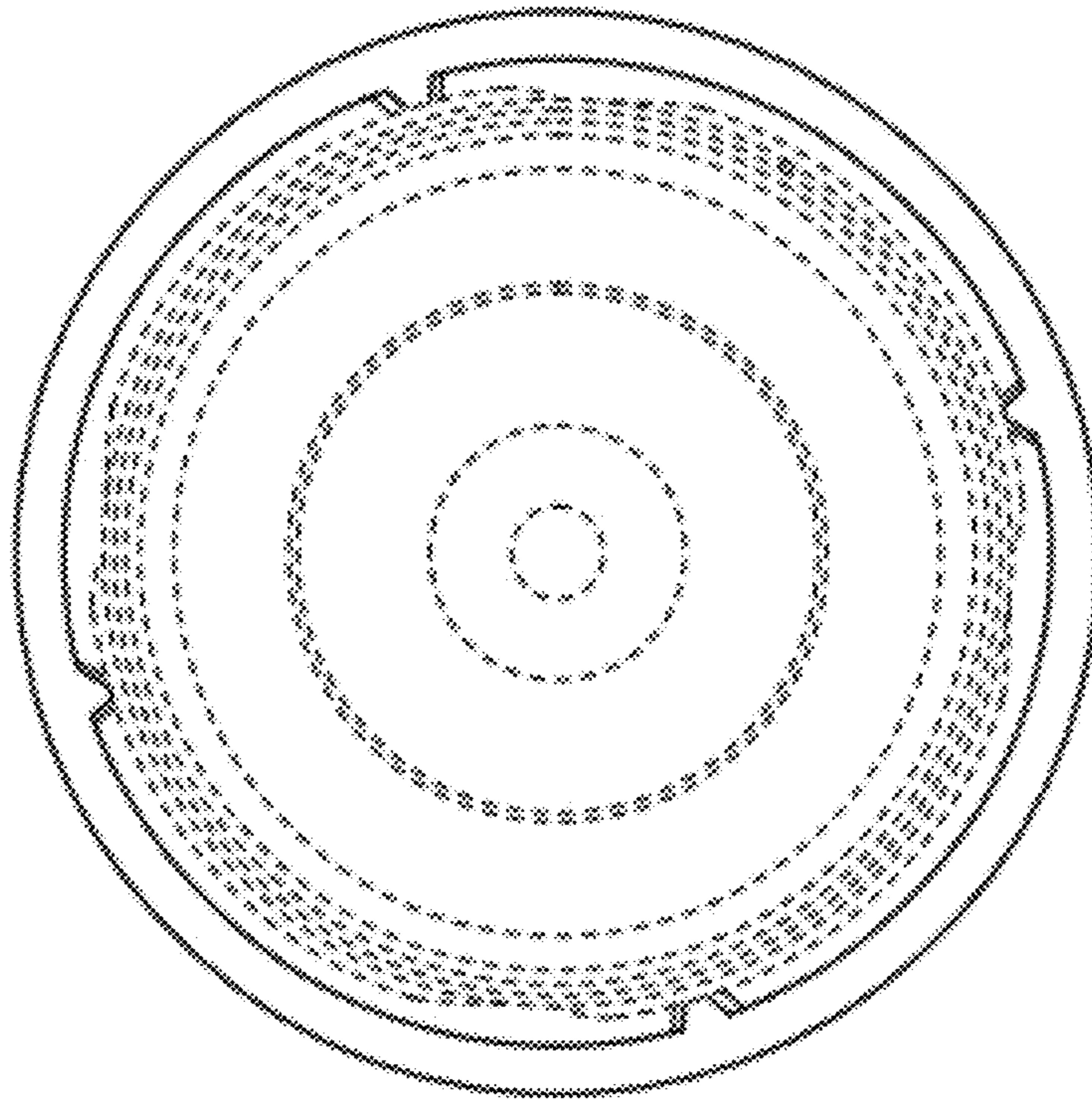


FIG. 13

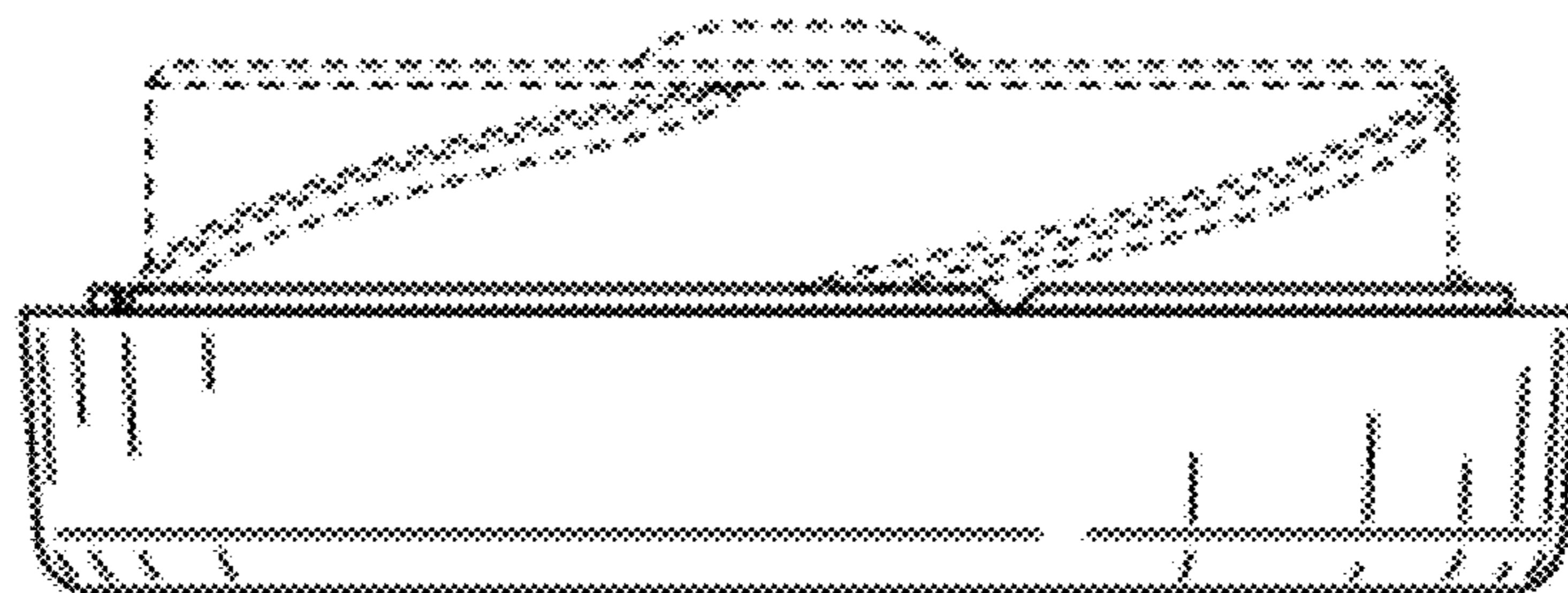


FIG. 14

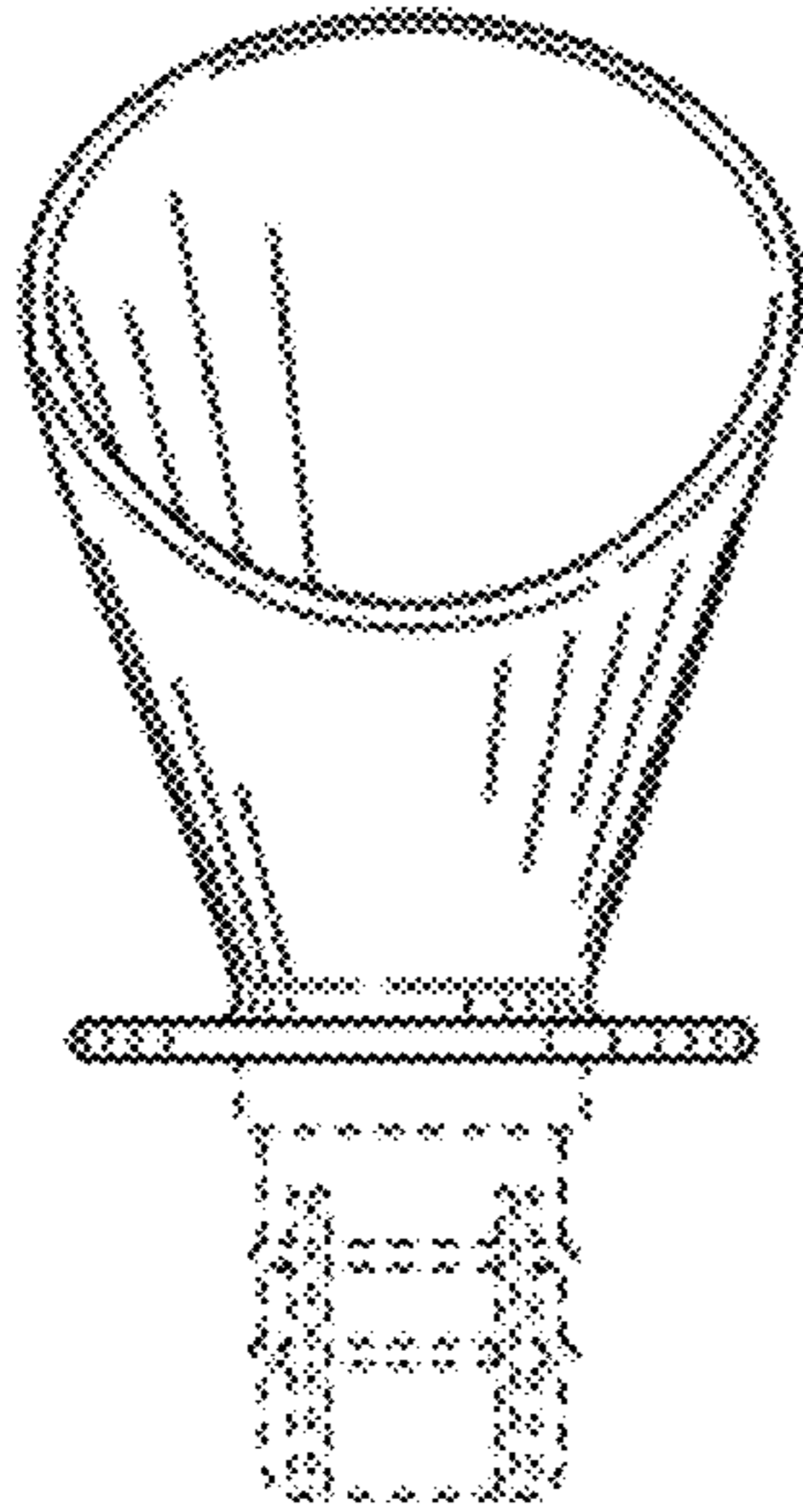


FIG. 15

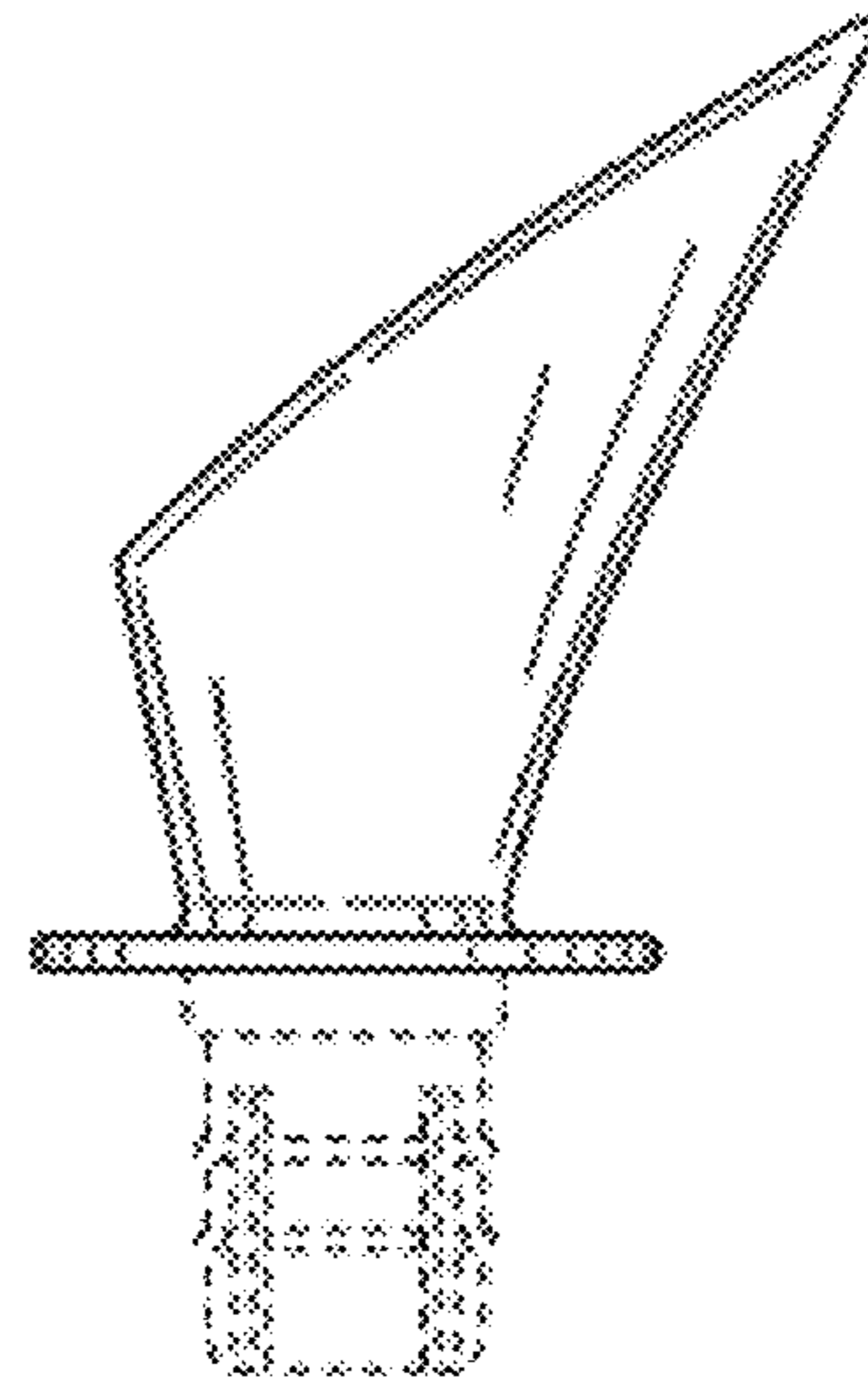


FIG. 16

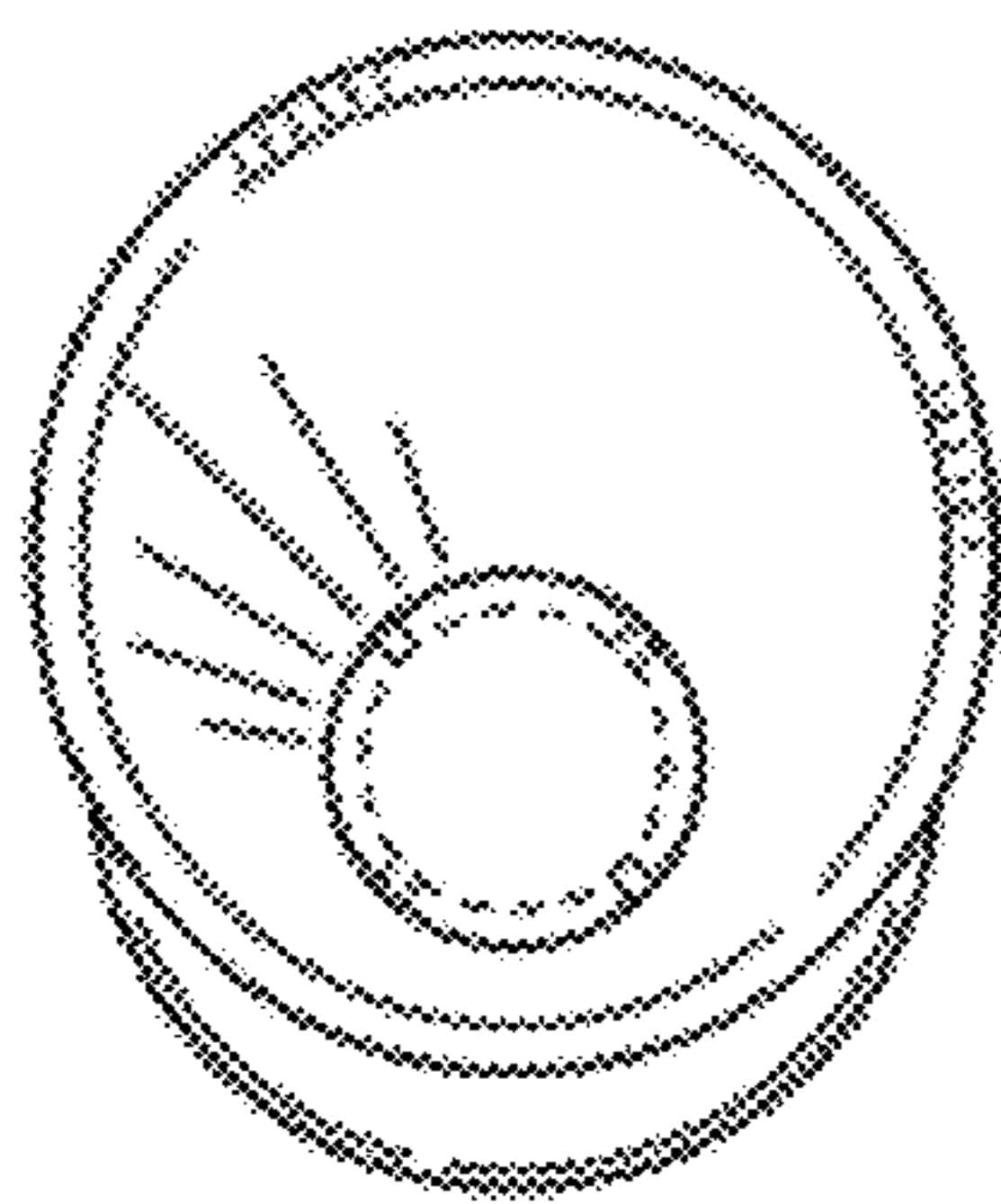


FIG. 17

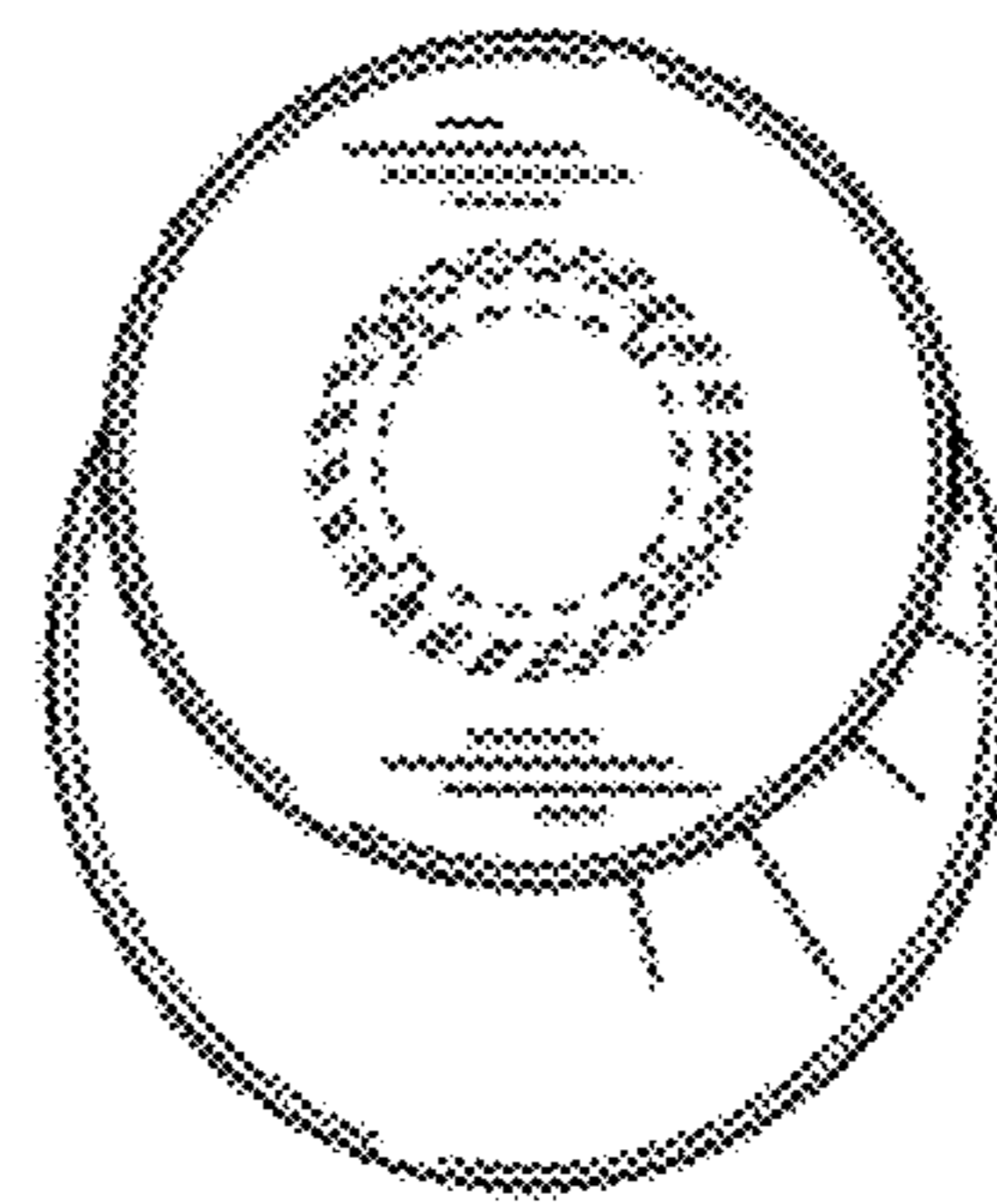


FIG. 18