



US00D676716S

(12) **United States Design Patent**
Lalo

(10) **Patent No.:** **US D676,716 S**
(45) **Date of Patent:** **** Feb. 26, 2013**

(54) **BEVERAGE CUP HOLDER**
(75) Inventor: **Eyal Lalo**, Hallandale, FL (US)
(73) Assignee: **Invicta Watch Company of America, Inc.**, Hollywood, FL (US)
(**) Term: **14 Years**
(21) Appl. No.: **29/394,649**
(22) Filed: **Jun. 20, 2011**
(51) **LOC (9) Cl.** **07-06**
(52) **U.S. Cl.** **D7/619.1**
(58) **Field of Classification Search** D7/619.1,
D7/619.2, 605, 608, 624.2, 601, 602, 624.1,
D7/630, 366; D9/444, 455; D11/164, 152;
D6/403; D26/9, 23; 220/739; 248/310,
248/346.11, 152, 146, 97; D32/54; D27/133;
D30/133
See application file for complete search history.

3,525,440 A * 8/1970 Anderson 211/14
4,032,097 A * 6/1977 Dwyer 248/146
4,488,697 A * 12/1984 Garvey 248/101
4,941,579 A * 7/1990 Lee 215/11.1
5,195,715 A * 3/1993 Cone 248/526
D361,632 S * 8/1995 Ratia D26/10
5,533,700 A * 7/1996 Porter 248/311.2
5,590,861 A * 1/1997 Ardolino 248/146
5,632,460 A * 5/1997 Strickland 248/146
D452,089 S * 12/2001 Fritz D6/458
D456,542 S * 4/2002 Kennedy et al. D26/23
6,517,035 B1 * 2/2003 Sellers 248/146
D504,789 S * 5/2005 Hayes D6/403
6,918,563 B2 * 7/2005 Tseng 248/146
D520,405 S * 5/2006 Prebil D11/125
D630,904 S * 1/2011 Zeilinger D7/628
8,109,476 B2 * 2/2012 Roberts et al. 248/97
2010/0252693 A1 * 10/2010 Bosik 248/97

* cited by examiner

Primary Examiner — Jeffrey D Asch

(74) *Attorney, Agent, or Firm* — Howard Natter; Natter & Natter

(56) **References Cited**

U.S. PATENT DOCUMENTS

299,713 A * 6/1884 Babbit et al. 126/29
399,870 A * 3/1889 Gaskill 248/152
D31,666 S * 10/1899 Steppe D7/366
837,388 A * 12/1906 Curial 220/743
1,342,807 A * 6/1920 Harrington 220/4.12
D60,604 S * 3/1922 Bowdoin D7/388
D81,436 S * 6/1930 Drew et al. D6/403
D111,518 S * 9/1938 Lelong D6/490
D132,421 S * 5/1942 Krapp D30/133
D148,100 S * 12/1947 Weber, Jr. D7/624.1
2,508,683 A * 5/1950 Nelson 248/146
2,657,891 A * 11/1953 Haften et al. 248/146
D193,942 S * 10/1962 Wagnitz D6/403
3,393,892 A * 7/1968 Buck 248/346.11

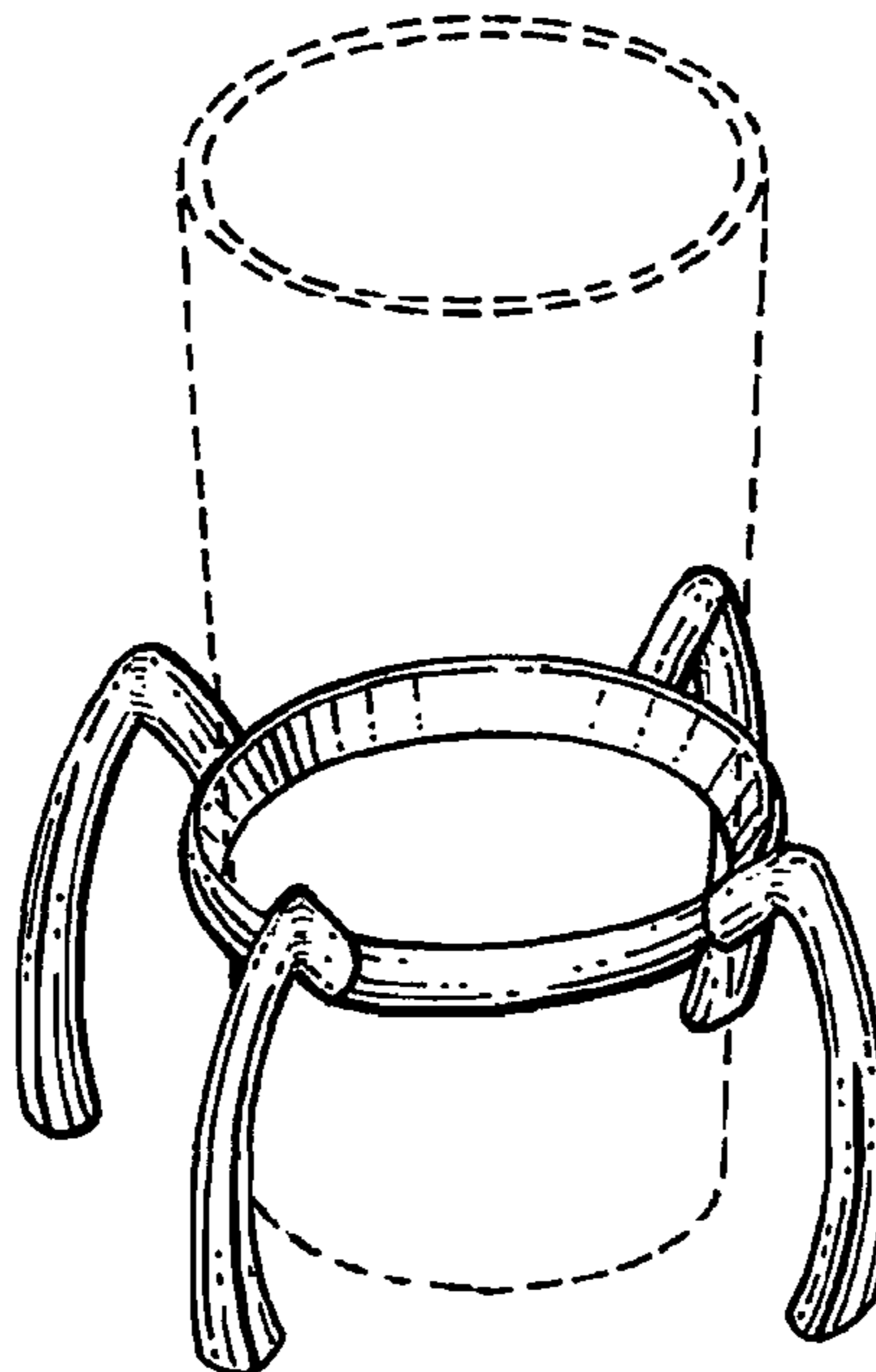
(57) **CLAIM**

The ornamental design for a beverage cup holder, as shown and described.

DESCRIPTION

FIG. 1 is a perspective view of a beverage cup holder showing my new design;
FIG. 2 is a top plan view thereof;
FIG. 3 is a side elevational view thereof; and,
FIG. 4 is a bottom plan view thereof.
All of the side elevational views are the same.
The broken-line showing of FIG. 1 illustrates a beverage cup and does not form part of the claimed design.

1 Claim, 2 Drawing Sheets



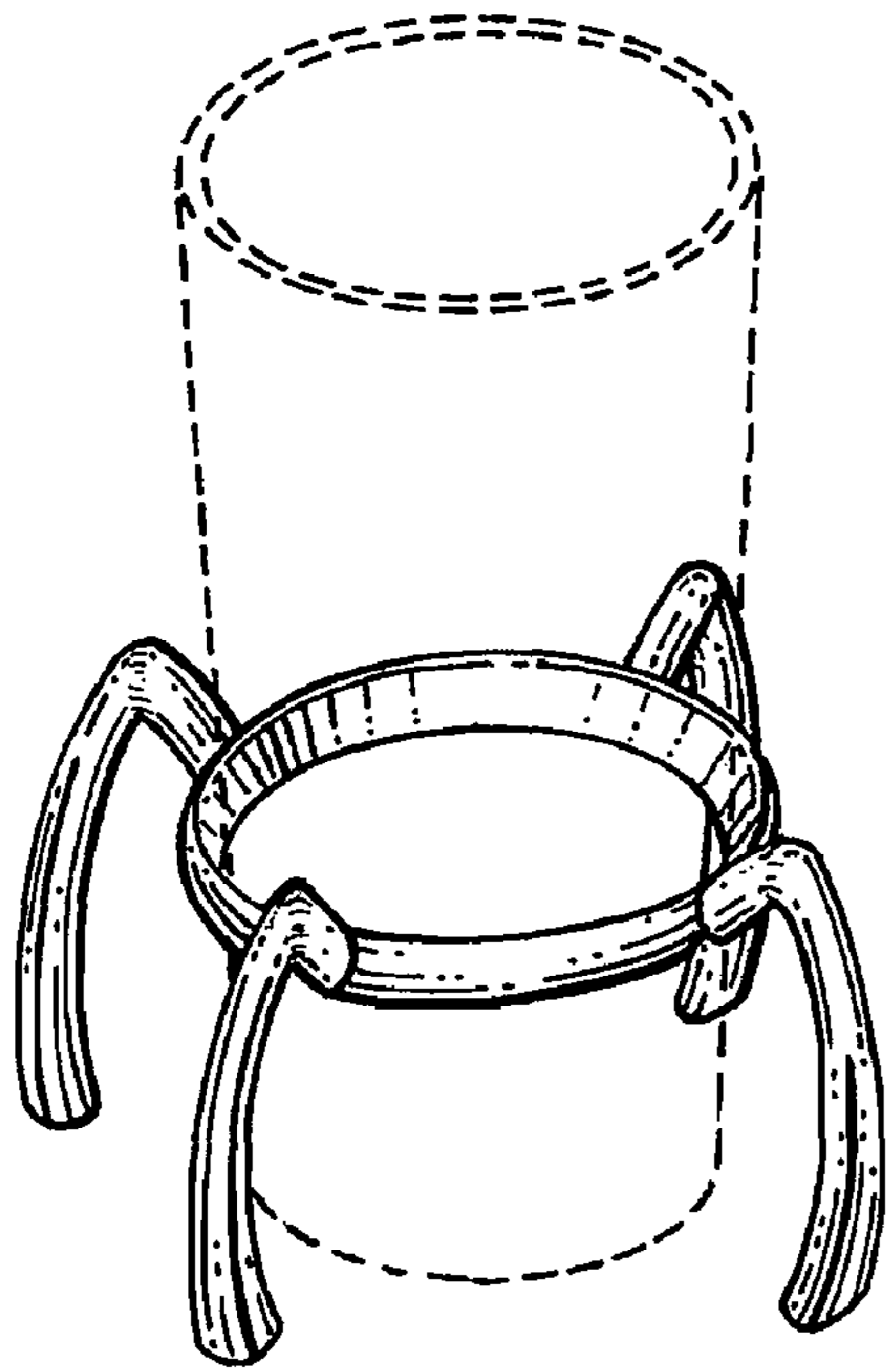


FIG. 1

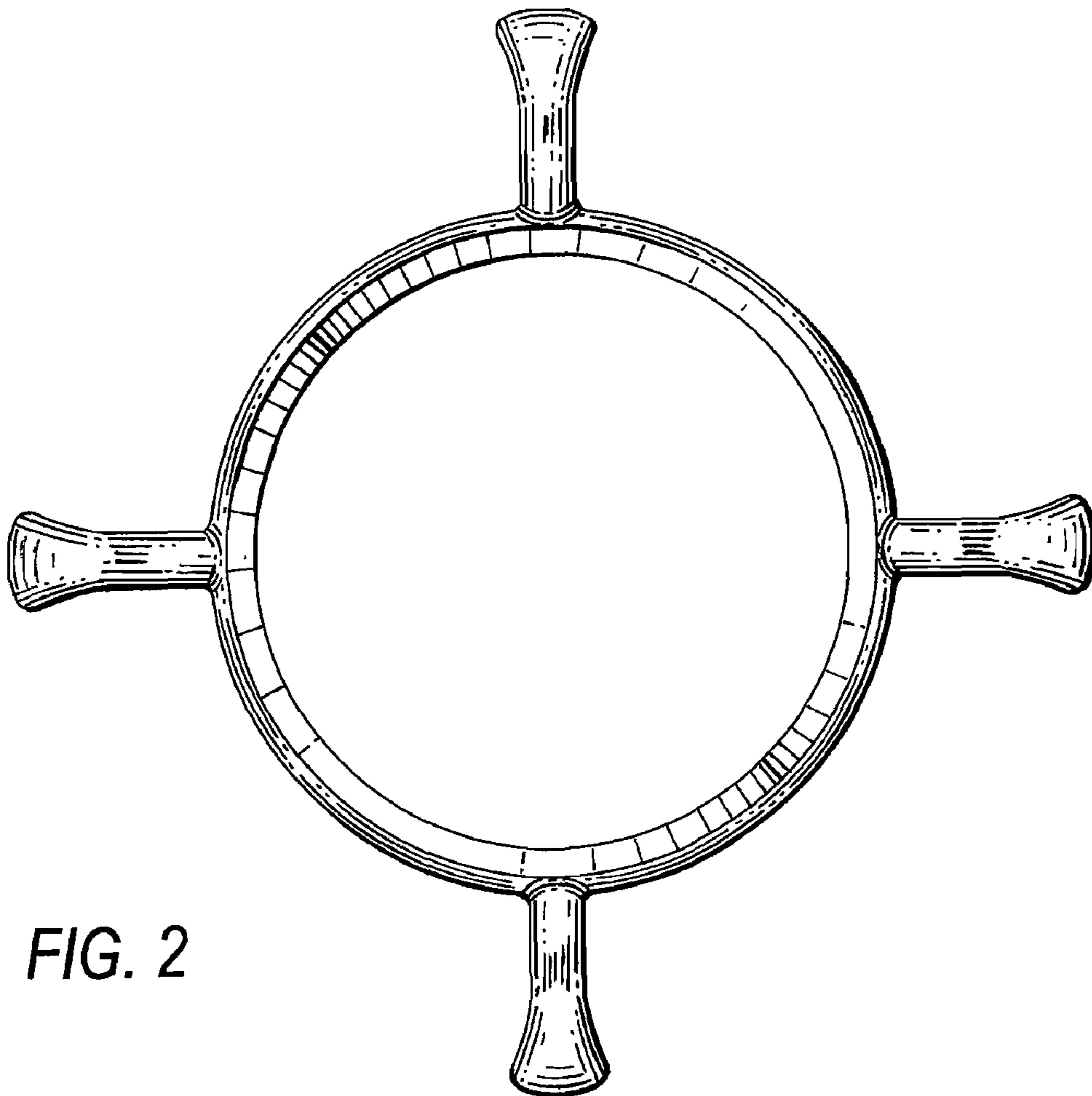


FIG. 2

FIG. 3

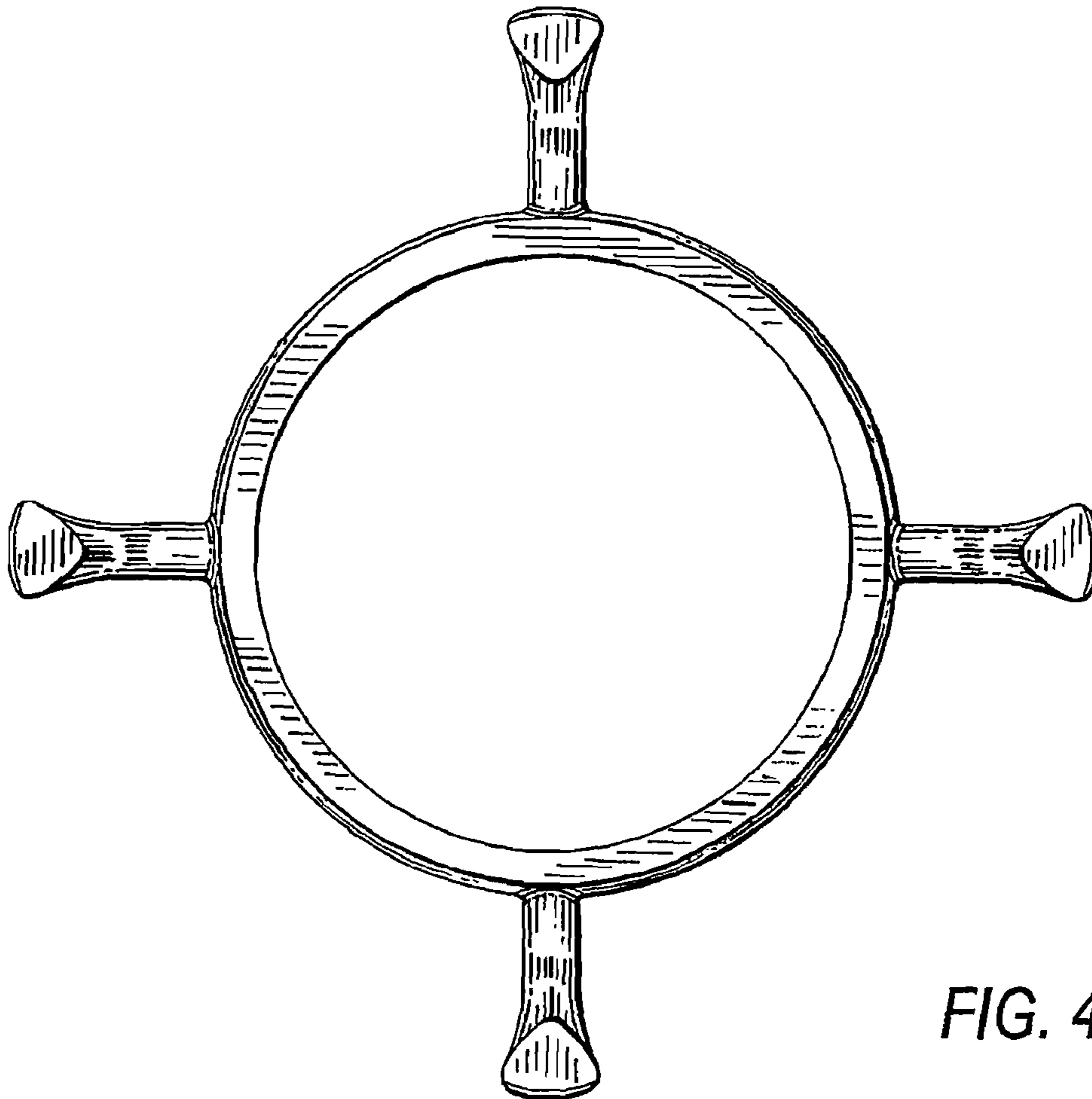
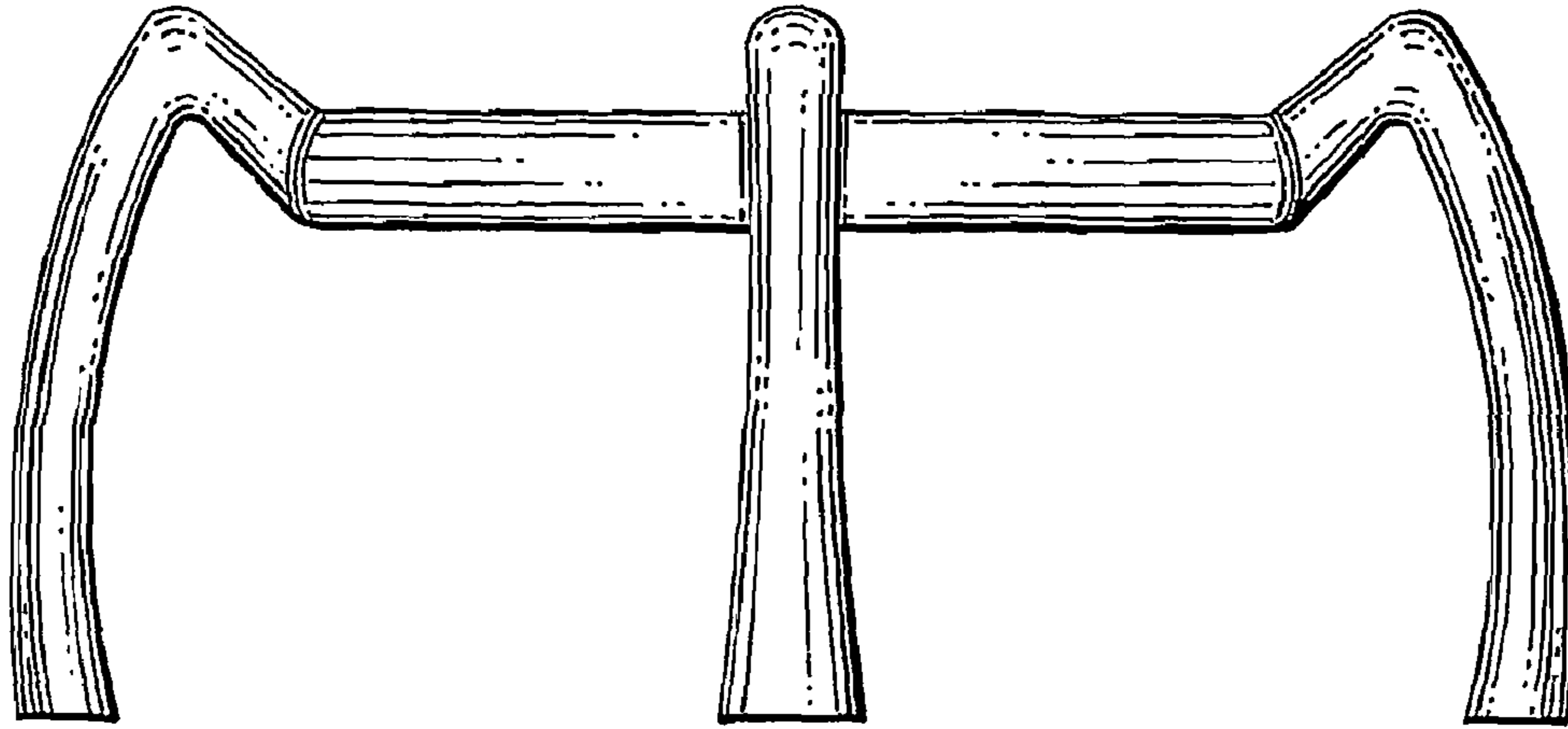


FIG. 4