



US00D676713S

(12) **United States Design Patent**
Jalet

(10) **Patent No.:** **US D676,713 S**

(45) **Date of Patent:** **** *Feb. 26, 2013**

(54) **CONTAINER FOR OIL AND VINEGAR**

(75) Inventor: **Vincent Jalet**, Brussels (BE)

(73) Assignee: **Dart Industries Inc.**, Orlando, FL (US)

(*) Notice: This patent is subject to a terminal disclaimer.

(**) Term: **14 Years**

(21) Appl. No.: **29/395,313**

(22) Filed: **Dec. 29, 2011**

(51) **LOC (9) Cl.** **07-06**

(52) **U.S. Cl.** **D7/598**

(58) **Field of Classification Search** D7/590–600,
D7/317, 300.1, 321; D9/523, 546, 549, 450,
D9/574, 575, 903, 776; 215/381–384, 400
See application file for complete search history.

(56) **References Cited**

U.S. PATENT DOCUMENTS

D300,107 S * 3/1989 Trombly D7/317
D378,897 S * 4/1997 du Grenier et al. D9/546

D447,693 S * 9/2001 Warner et al. D9/776
D511,940 S * 11/2005 Kim D7/598
D530,968 S * 10/2006 Bodum D7/300.1
D581,742 S * 12/2008 Krus et al. D7/591
D646,932 S * 10/2011 Melms, Jr. D7/598

* cited by examiner

Primary Examiner — Terry Wallace

(74) *Attorney, Agent, or Firm* — John A. Doninger

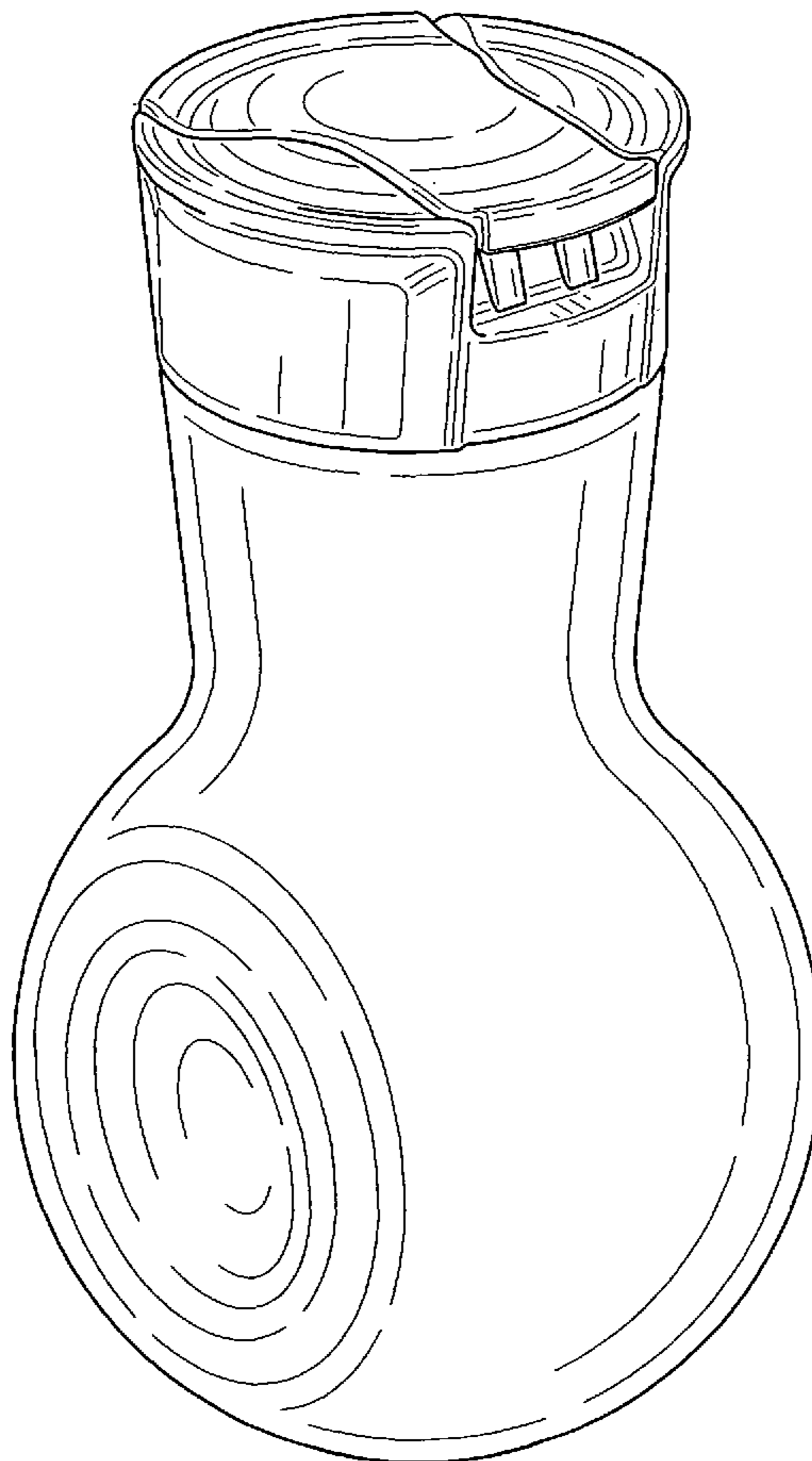
(57) **CLAIM**

The ornamental design for a container for oil and vinegar, as shown and described.

DESCRIPTION

FIG. 1 is a top, side and front perspective view of a container for oil and vinegar showing my new, design; FIG. 2 is a front elevation view thereof; FIG. 3 is a rear elevation view thereof; FIG. 4 is a left side elevation view thereof; FIG. 5 is a right side elevation view thereof; FIG. 6 is a top plan view thereof; FIG. 7 is a bottom plan view thereof; and, FIG. 8 is a cross-sectional view along line 8-8 of FIG. 6.

1 Claim, 4 Drawing Sheets



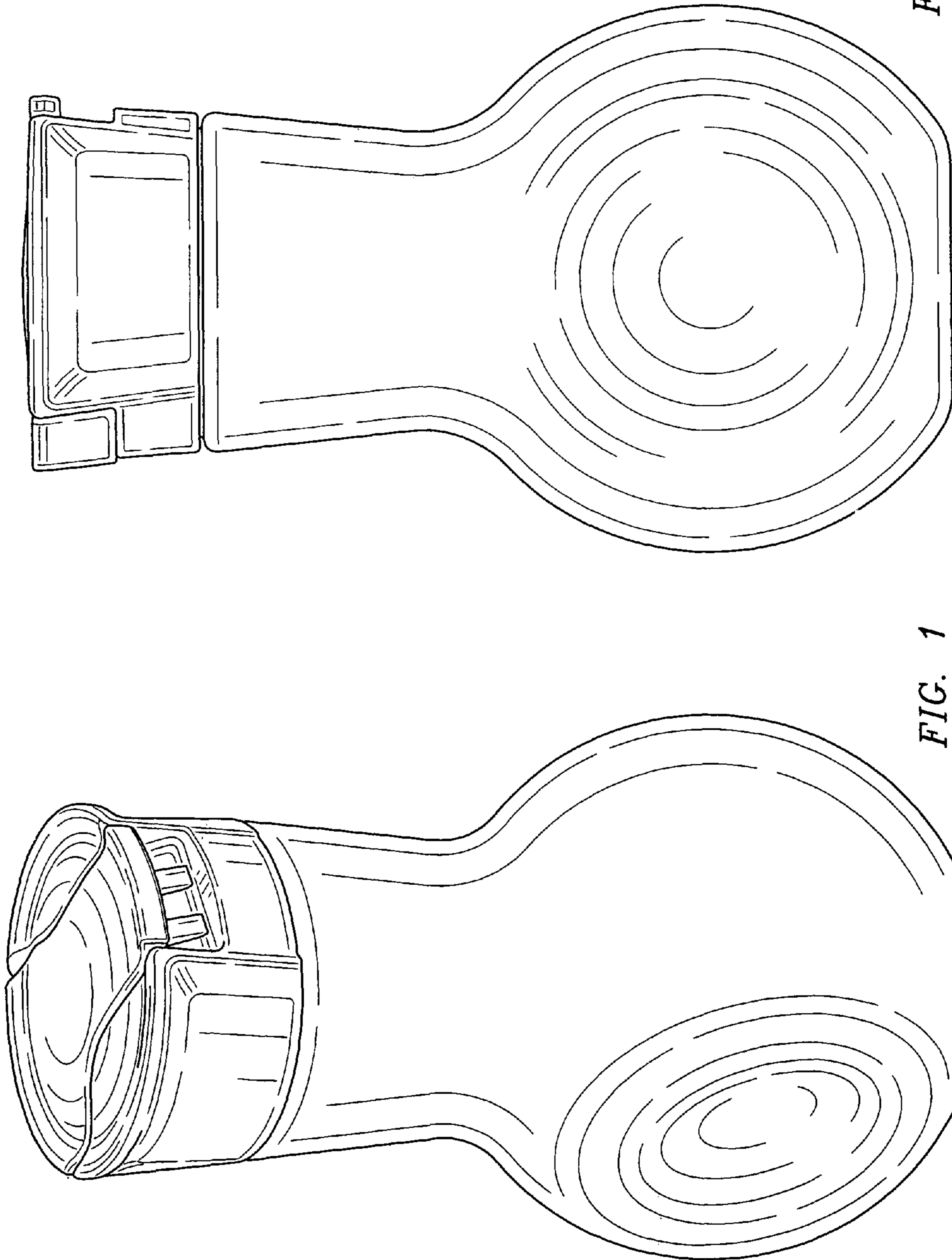


FIG. 2

FIG. 1

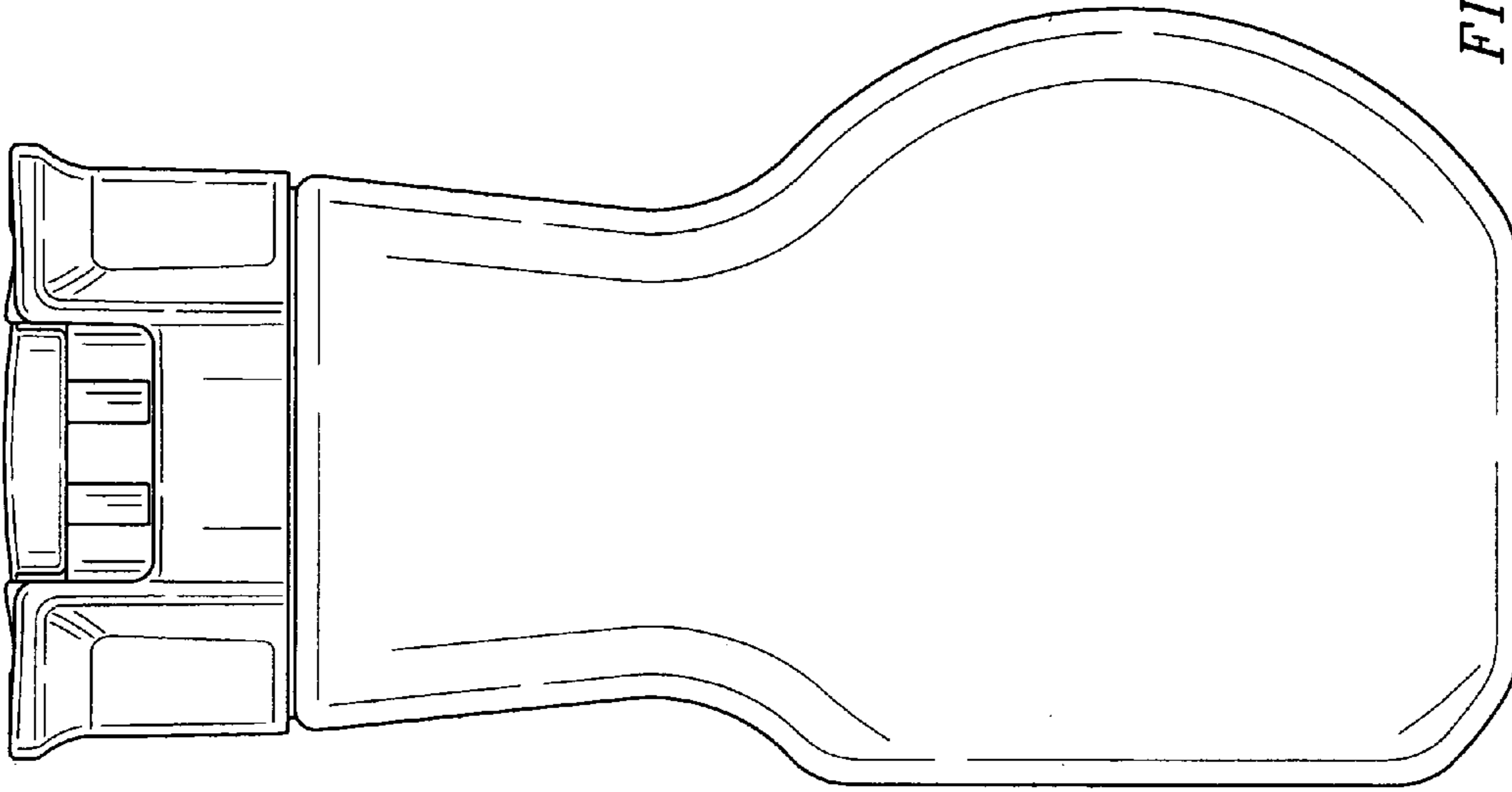


FIG. 4

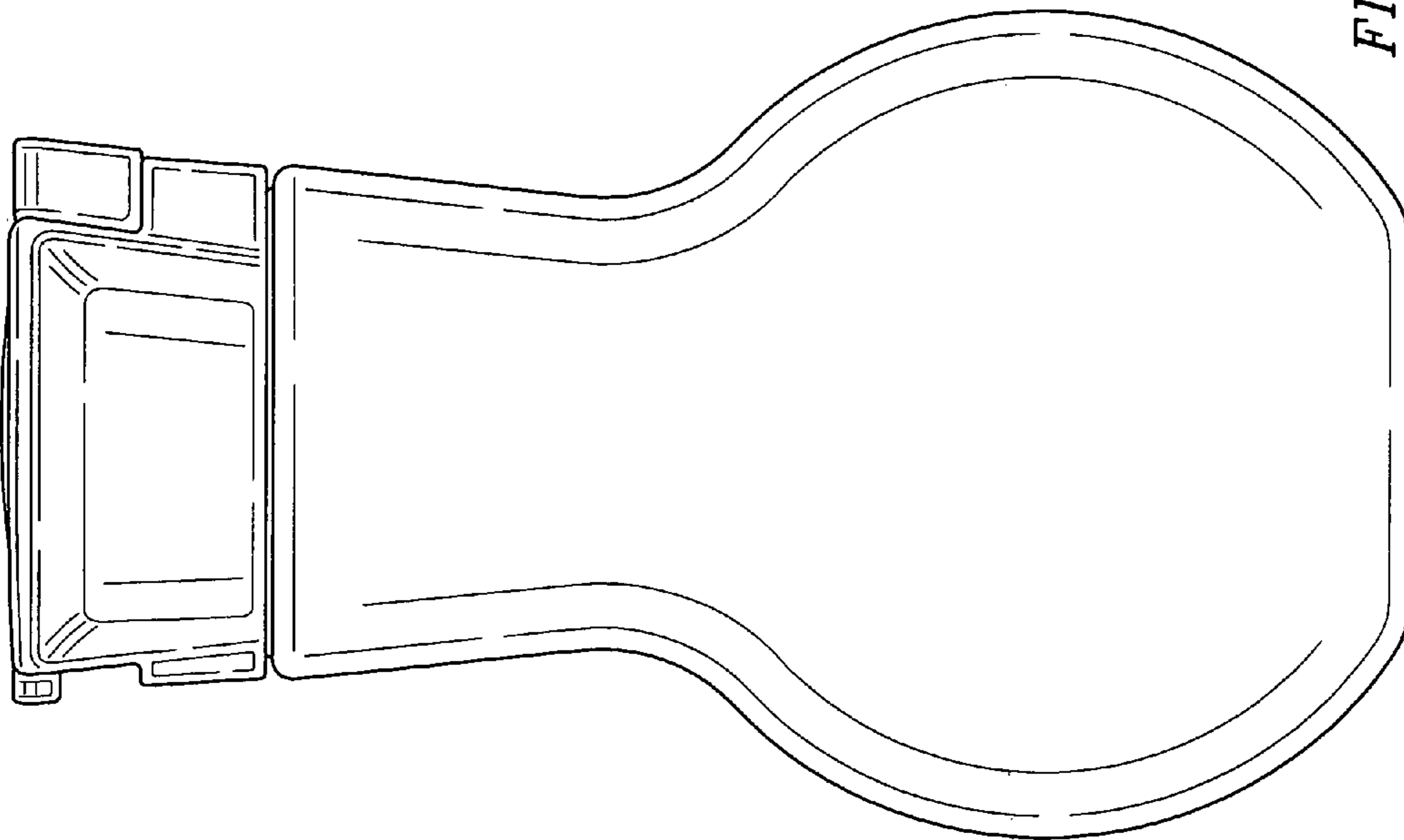


FIG. 3

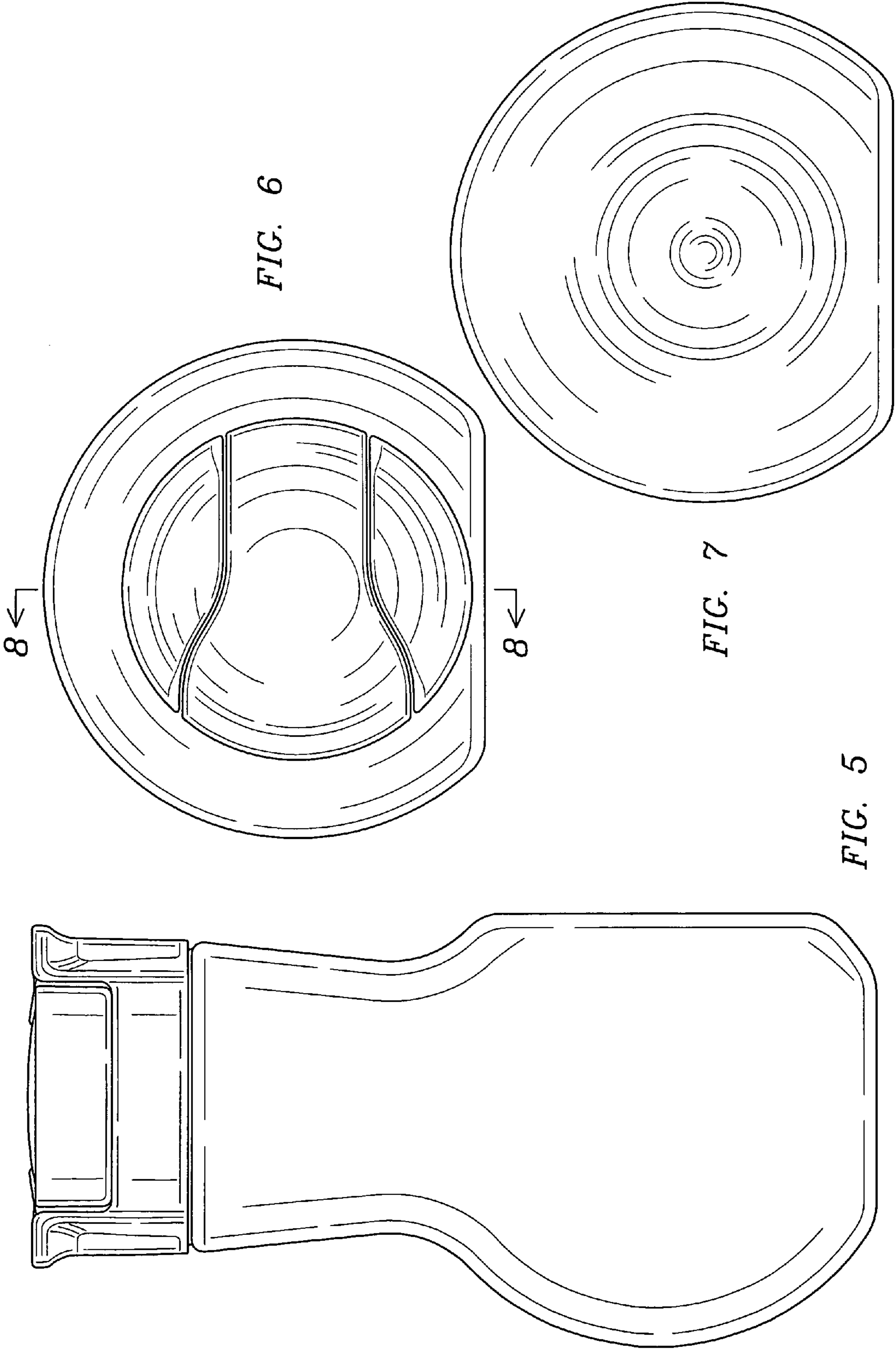


FIG. 6

FIG. 7

FIG. 5

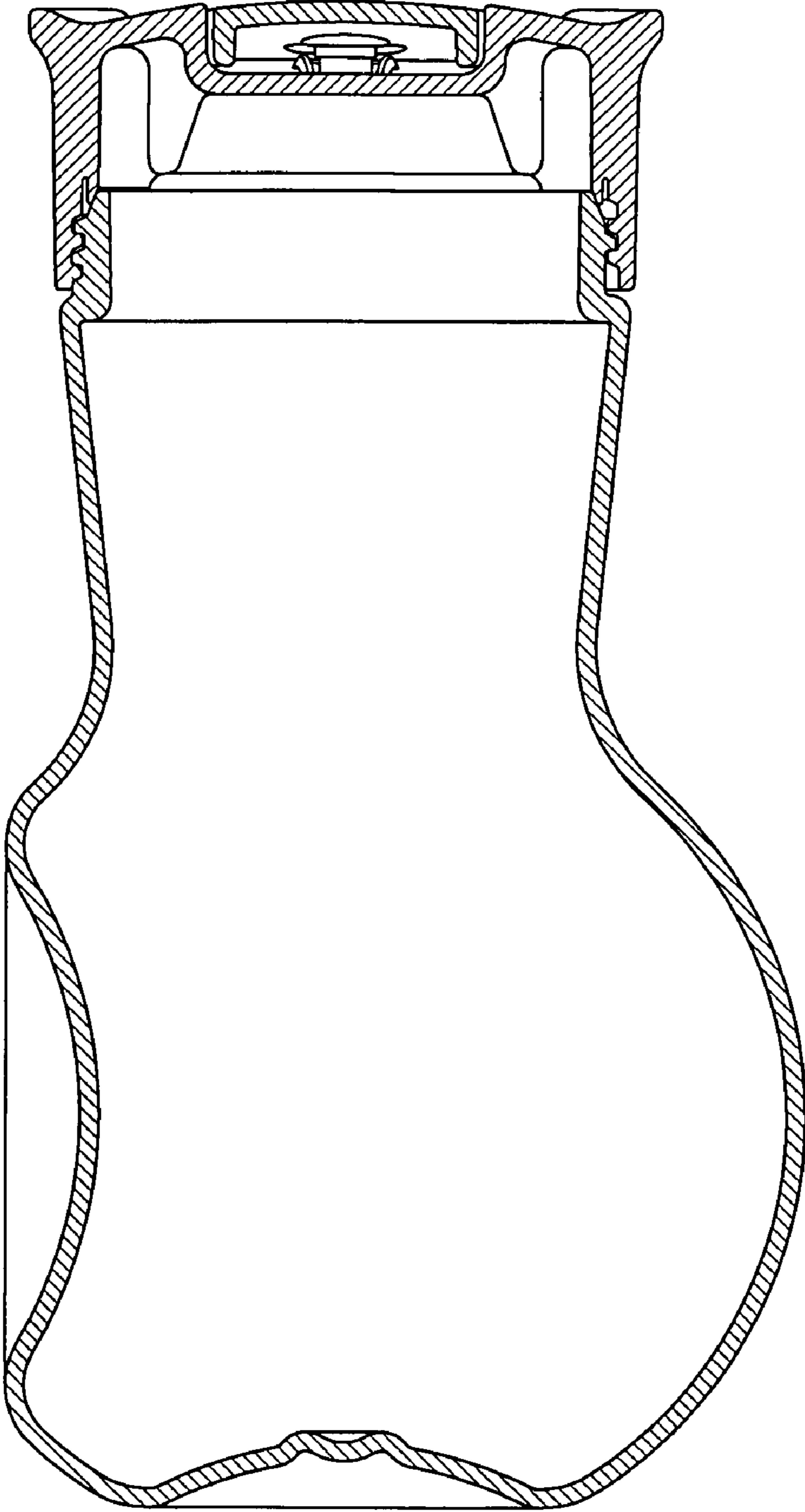


FIG. 8