



US00D676709S

(12) **United States Design Patent**  
**Thomas**

(10) **Patent No.:** **US D676,709 S**  
(45) **Date of Patent:** **\*\* Feb. 26, 2013**

(54) **DRINKING CUP**

(75) Inventor: **Elodie Jeanne Claudine Thomas,**  
Amsterdam (NL)

(73) Assignee: **Koninklijke Philips Electronics N.V.,**  
Eindhoven (NL)

(\*\*) Term: **14 Years**

(21) Appl. No.: **29/422,133**

(22) Filed: **May 17, 2012**

(30) **Foreign Application Priority Data**

Nov. 22, 2011 (EM) ..... 001950809-0001

(51) **LOC (9) Cl.** ..... **07-01**

(52) **U.S. Cl.** ..... **D7/534; D7/510**

(58) **Field of Classification Search** ..... D7/534,  
D7/536, 509, 507, 533, 510, 511; 215/11.1,  
215/11.6; 220/710.5, 714, 719, 288; D24/197  
See application file for complete search history.

(56) **References Cited**

**U.S. PATENT DOCUMENTS**

4,714,174 A \* 12/1987 Williams ..... 220/501  
D315,212 S \* 3/1991 Oknuki ..... D24/197  
D315,213 S \* 3/1991 Ohnuki ..... D24/197  
D322,196 S \* 12/1991 Ohnuki ..... D7/510  
D326,796 S \* 6/1992 Kawano ..... D7/510

D341,892 S \* 11/1993 Yagi ..... D24/197  
D368,529 S \* 4/1996 Allegre ..... D24/197  
6,230,923 B1 \* 5/2001 Hung ..... 220/703  
D454,642 S \* 3/2002 Hakim ..... D24/197  
D460,322 S \* 7/2002 Orr et al. .... D7/510  
D474,647 S \* 5/2003 Reinius et al. .... D7/510  
D476,849 S \* 7/2003 Randolph ..... D7/510  
D513,932 S \* 1/2006 De Oliveira ..... D7/534  
D559,624 S \* 1/2008 Carreno ..... D7/534  
D619,851 S \* 7/2010 Miller et al. .... D7/510  
D642,435 S \* 8/2011 Schofield et al. .... D7/510  
D642,866 S \* 8/2011 Schofield et al. .... D7/510  
8,256,641 B2 \* 9/2012 Randolph et al. .... 220/710.5  
2007/0163984 A1 \* 7/2007 Nguyen et al. .... 215/11.3

\* cited by examiner

*Primary Examiner* — Marianne Pandozzi

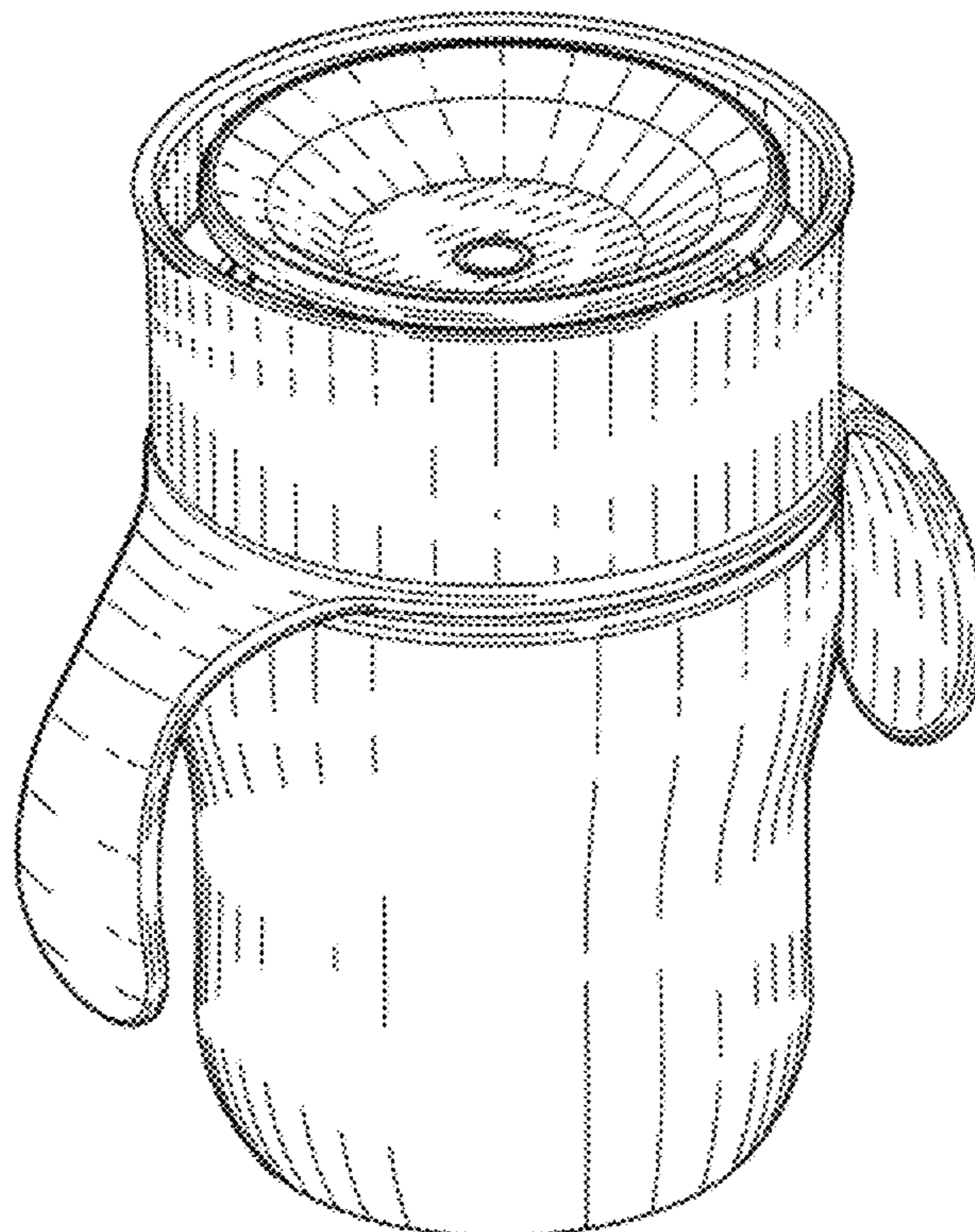
(57) **CLAIM**

The ornamental design for a drinking cup, as shown and described.

**DESCRIPTION**

FIG. 1 is a perspective view showing my design;  
FIG. 2 is a front elevational view thereof;  
FIG. 3 is a rear elevational view thereof;  
FIG. 4 is a right side elevational view thereof;  
FIG. 5 is a left side elevational view thereof;  
FIG. 6 is a top plan view thereof; and,  
FIG. 7 is a bottom plan view thereof.  
The broken lines in the drawings are included for the purpose of illustration and form no part of the claimed design.

**1 Claim, 5 Drawing Sheets**



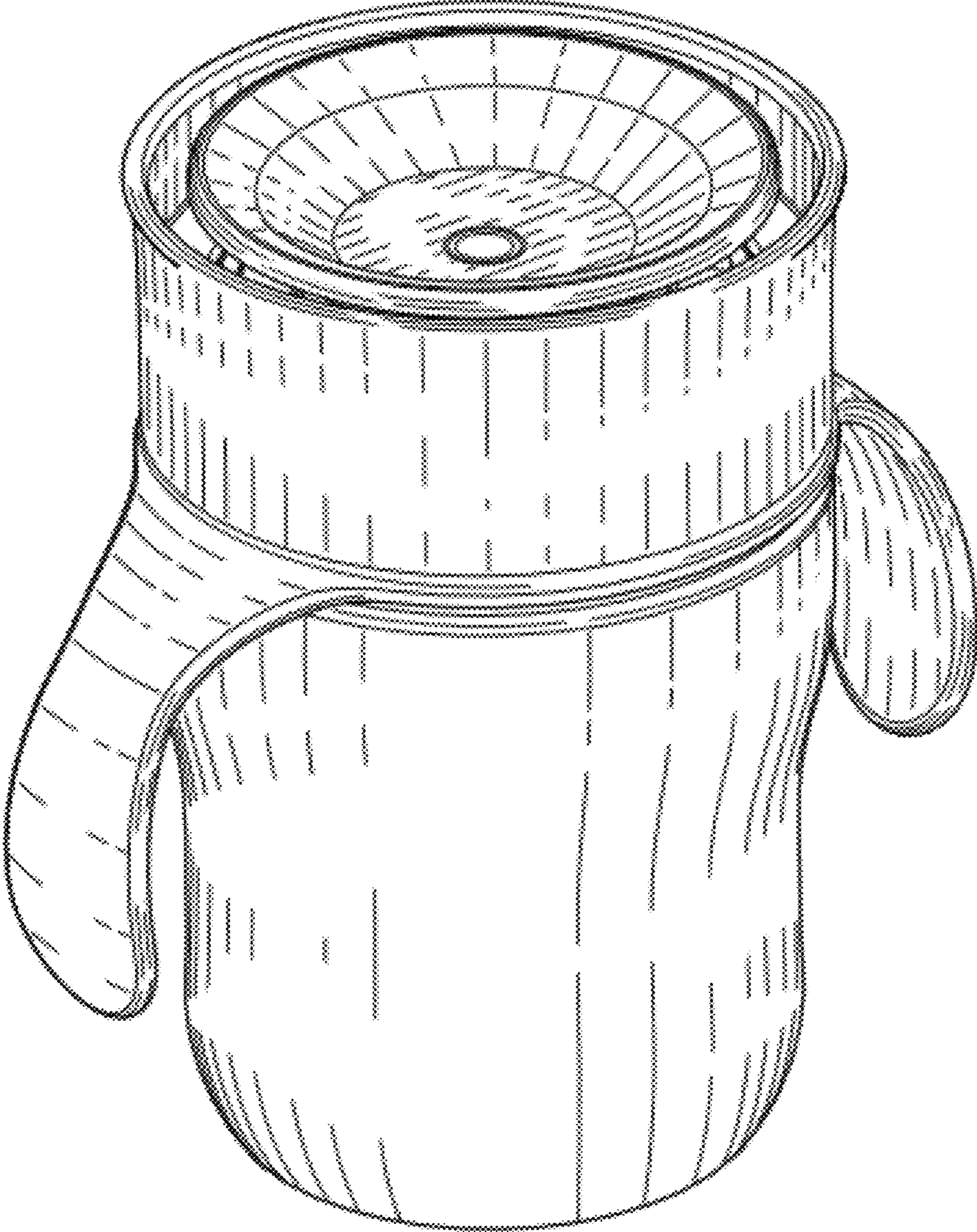


FIG. 1

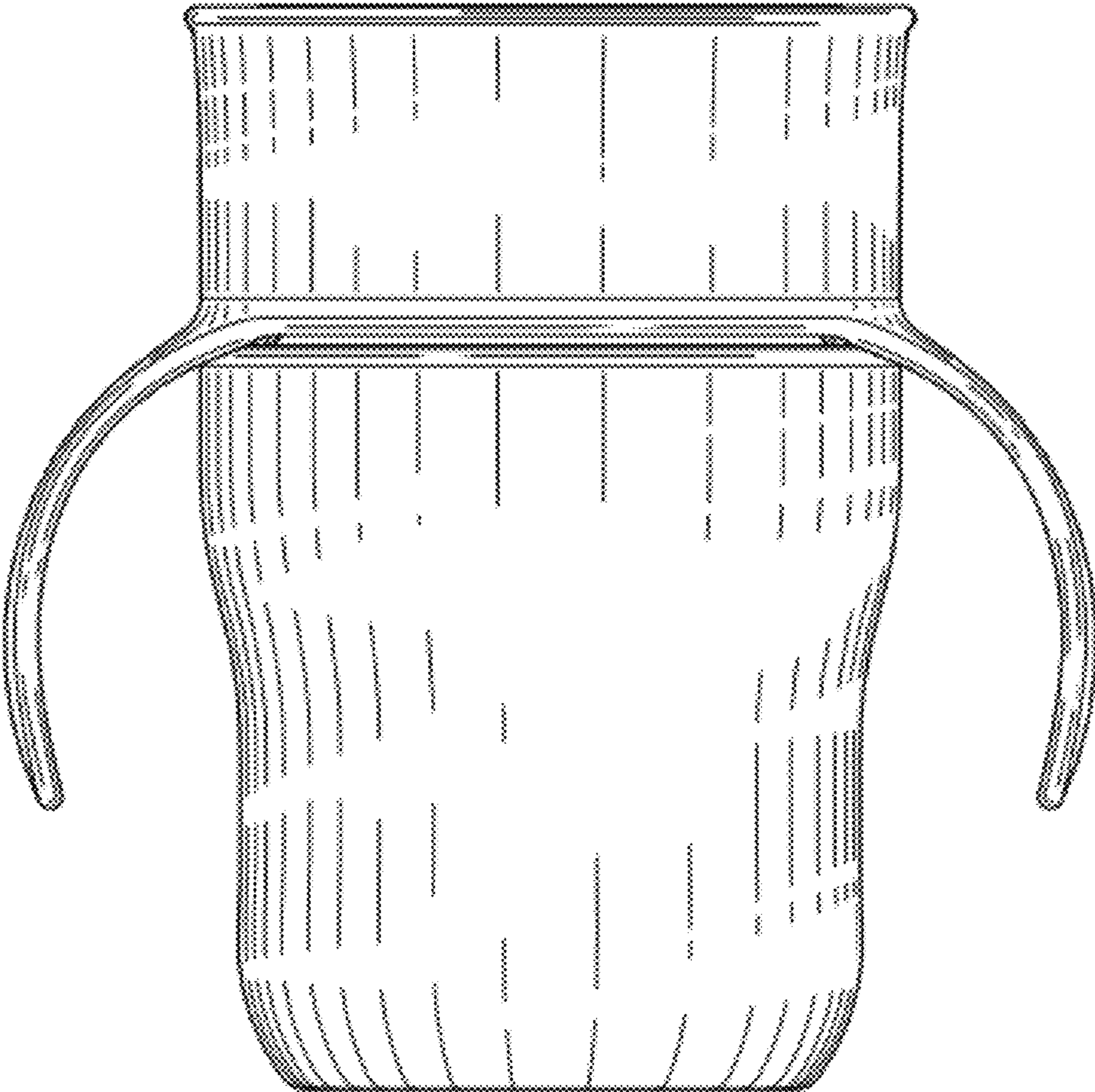


FIG.2

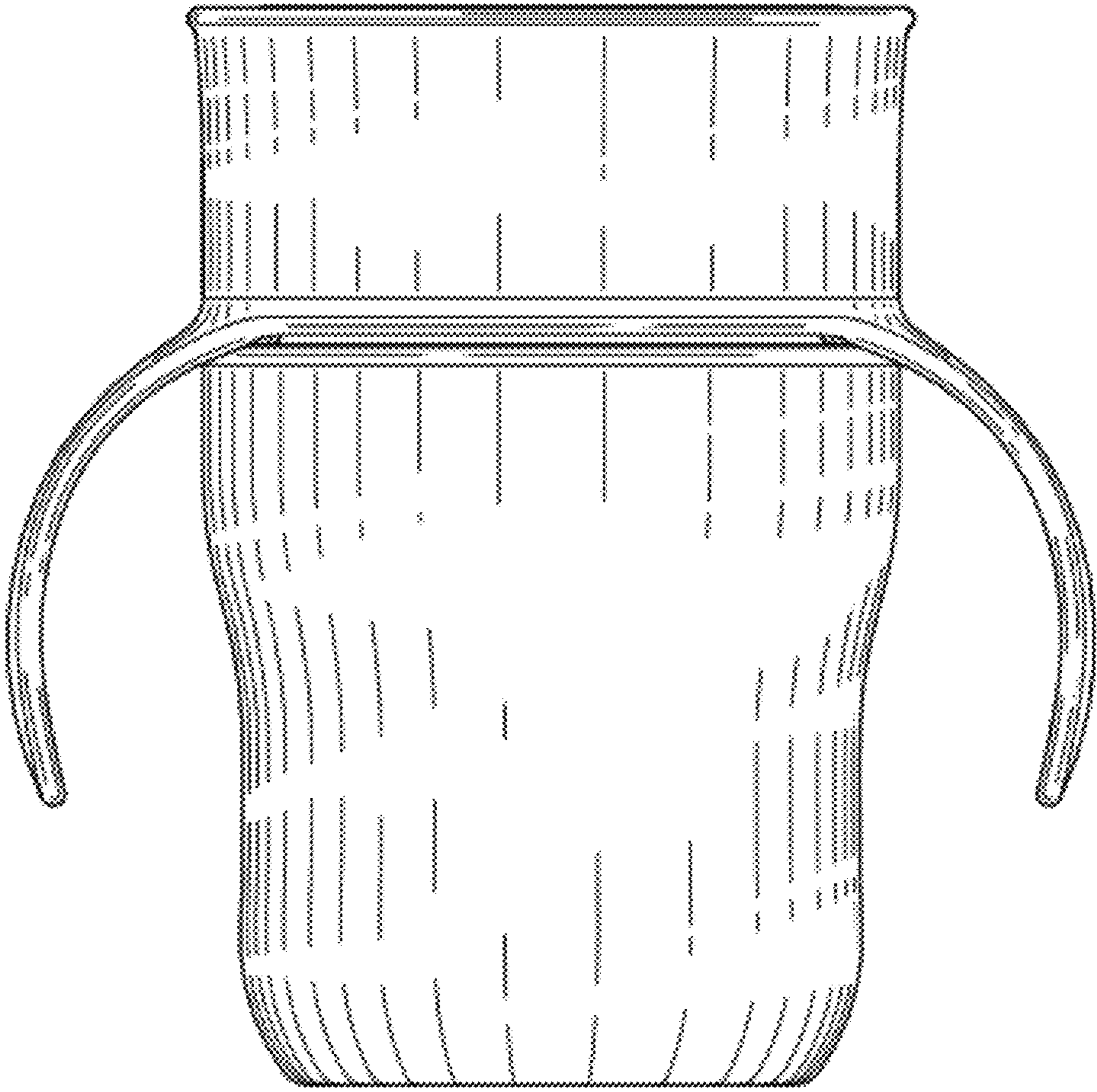


FIG.3

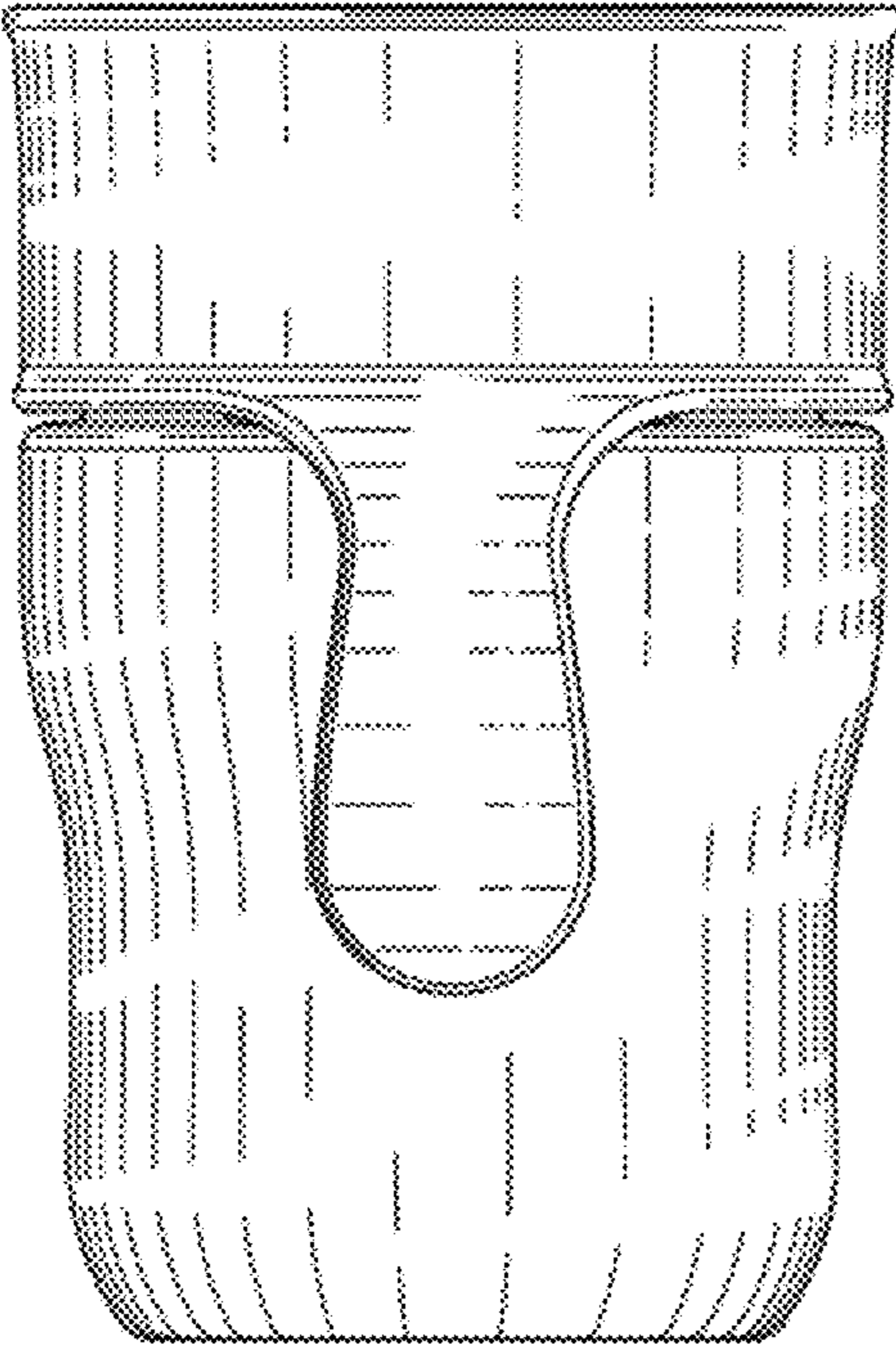


FIG.4

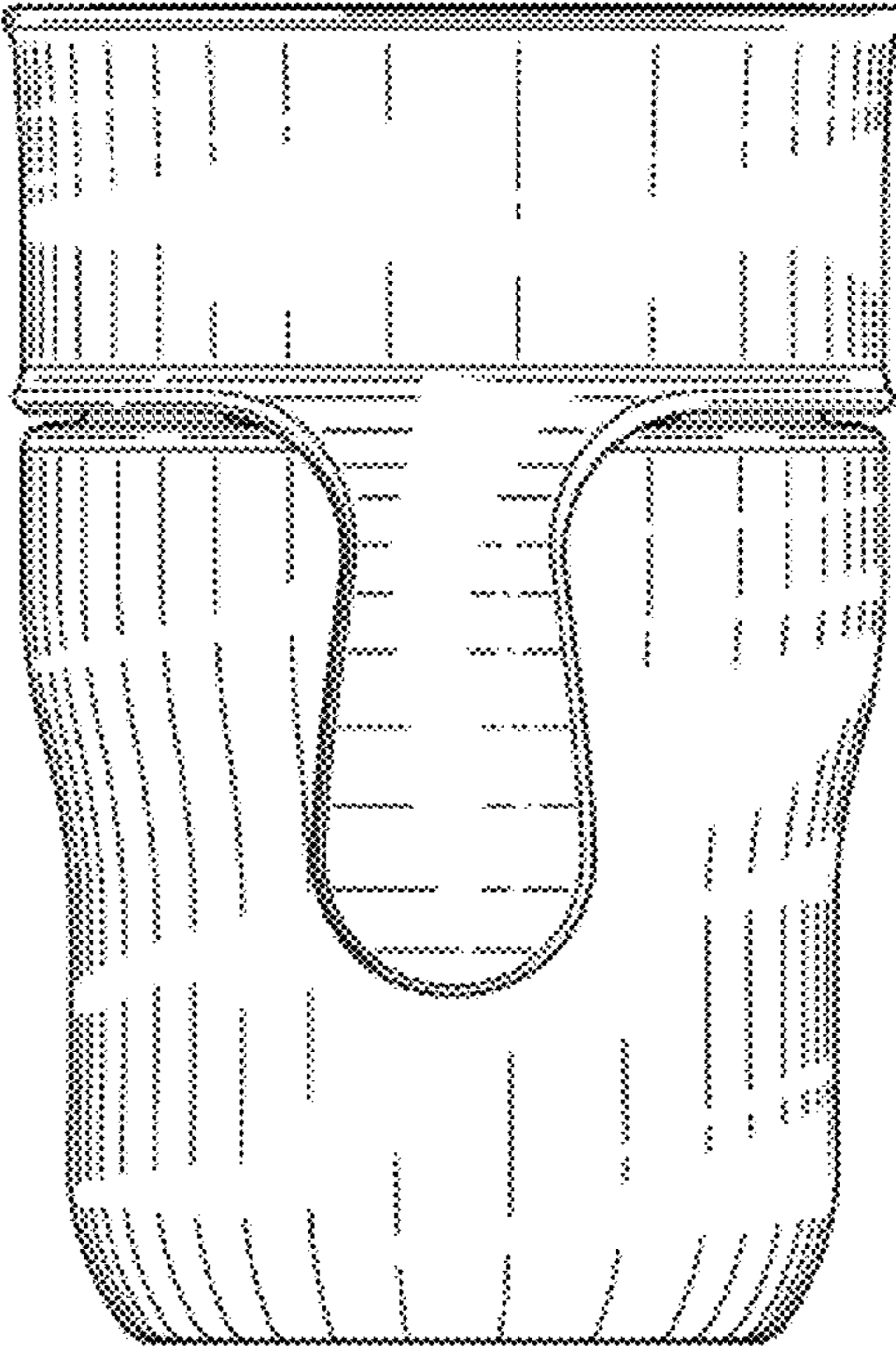


FIG.5

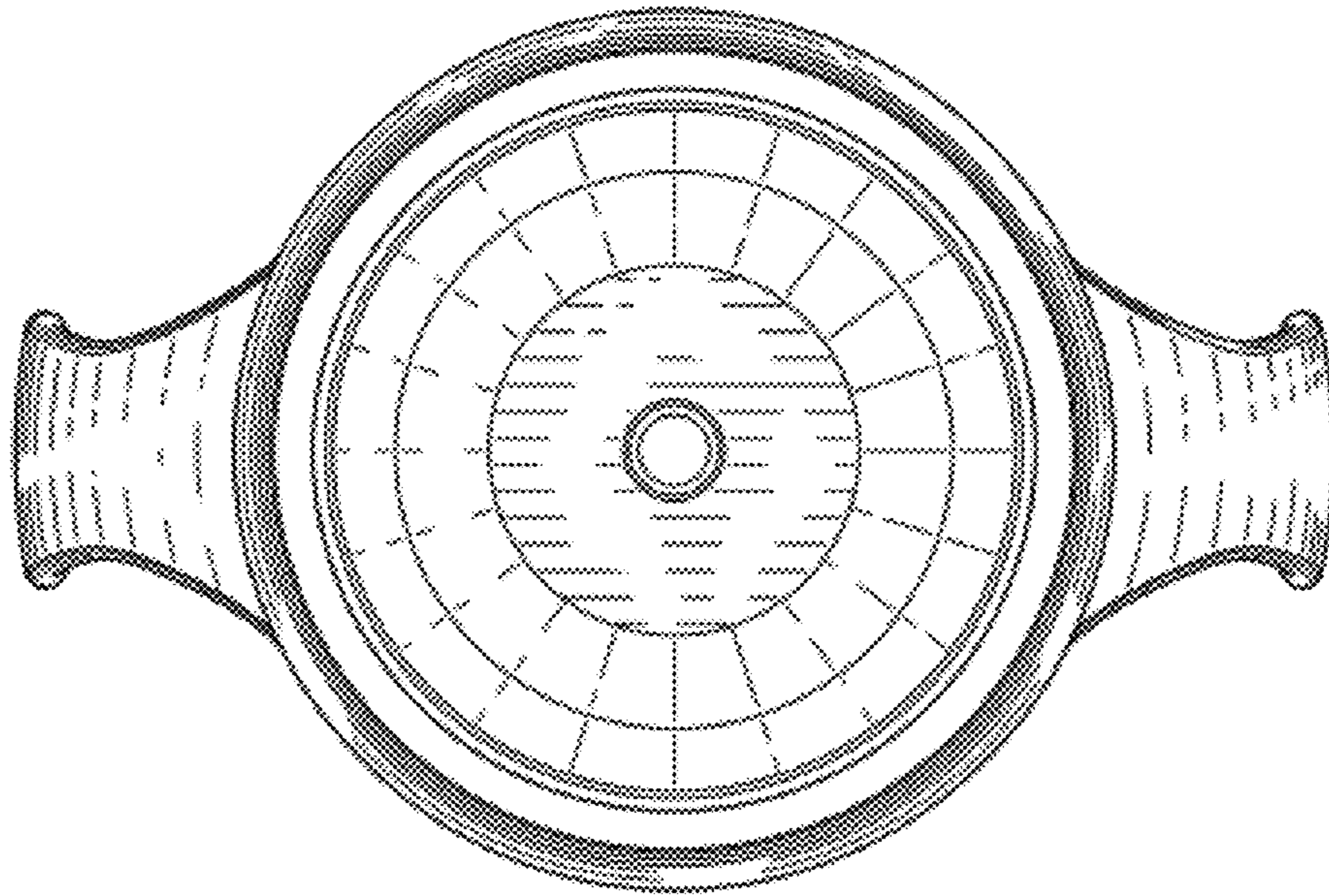


FIG. 6

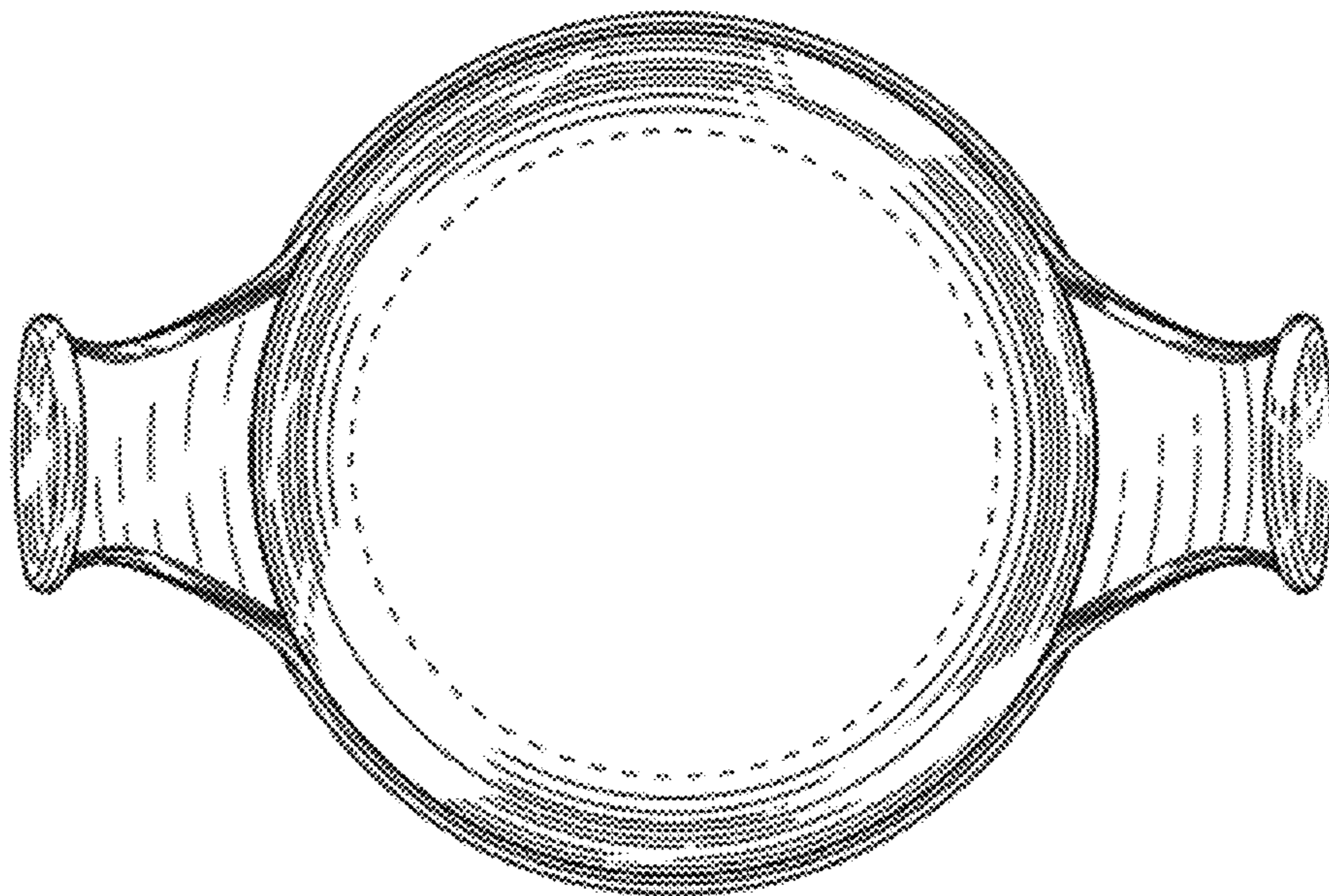


FIG. 7