



US00D676708S

(12) **United States Design Patent**
Lane

(10) **Patent No.:** **US D676,708 S**

(45) **Date of Patent:** **** Feb. 26, 2013**

(54) **COMBINED DRINK BOTTLE AND LID
HAVING BACK BUTTON RELEASE COVER
AND CARRY LOOP**

Primary Examiner — Robert M Spear
Assistant Examiner — Janice Hallmark
(74) *Attorney, Agent, or Firm* — Schiff Hardin LLP

(75) **Inventor:** **Marvin Lane**, Round Lake Beach, IL
(US)

(73) **Assignee:** **Thermos L.L.C.**, Schaumburg, IL (US)

(**) **Term:** **14 Years**

(21) **Appl. No.:** **29/416,429**

(22) **Filed:** **Mar. 22, 2012**

(51) **LOC (9) Cl.** **07-01**

(52) **U.S. Cl.** **D7/510**

(58) **Field of Classification Search** D7/510,
D7/511, 536, 532, 523, 531, 300.1, 509, 507,
D7/300, 533, 528, 526, 525, 530, 300.2, 396.2;
D9/551, 529, 746; 215/121, 382, 387; 220/674,
220/715, 713, 718, 592.16, 592.17, 709,
220/708, 642, 758, 574, 912, 495.03; 206/216;
D19/70

See application file for complete search history.

(56) **References Cited**

U.S. PATENT DOCUMENTS

D455,611	S	*	4/2002	Kitamura et al.	D7/608
D529,339	S	*	10/2006	Carreno et al.	D7/511
D538,110	S	*	3/2007	Kitamura et al.	D7/608
D547,607	S	*	7/2007	Forsman	D7/396.2
D586,184	S	*	2/2009	Miller et al.	D7/511
D590,661	S	*	4/2009	Kitamura et al.	D7/510
D592,012	S	*	5/2009	Carreno	D7/510
D596,460	S	*	7/2009	Nezu	D7/510
D608,640	S	*	1/2010	Carreno	D9/449
D610,402	S	*	2/2010	Carreno	D7/396.2
D652,256	S	*	1/2012	Eyal	D7/510
D653,082	S	*	1/2012	George	D7/510
D663,209	S	*	7/2012	Maas et al.	D7/510

* cited by examiner

(57) **CLAIM**

The ornamental design of the combined drink bottle and lid having back button release cover and carry loop, as shown and described.

DESCRIPTION

FIG. 1 is a perspective view taken from the upper, front, right-hand side of the combined drink bottle and lid having back button release cover and carry loop of the present invention;

FIG. 2 is a perspective view taken from the lower, back, left-hand side of the combined drink bottle and lid having back button release cover and carry loop of FIG. 1;

FIG. 3 is a side elevational view of the left side of the combined drink bottle and lid having back button release cover and carry loop of FIG. 1;

FIG. 4 is a front elevational view of the combined drink bottle and lid having back button release cover and carry loop of FIG. 1;

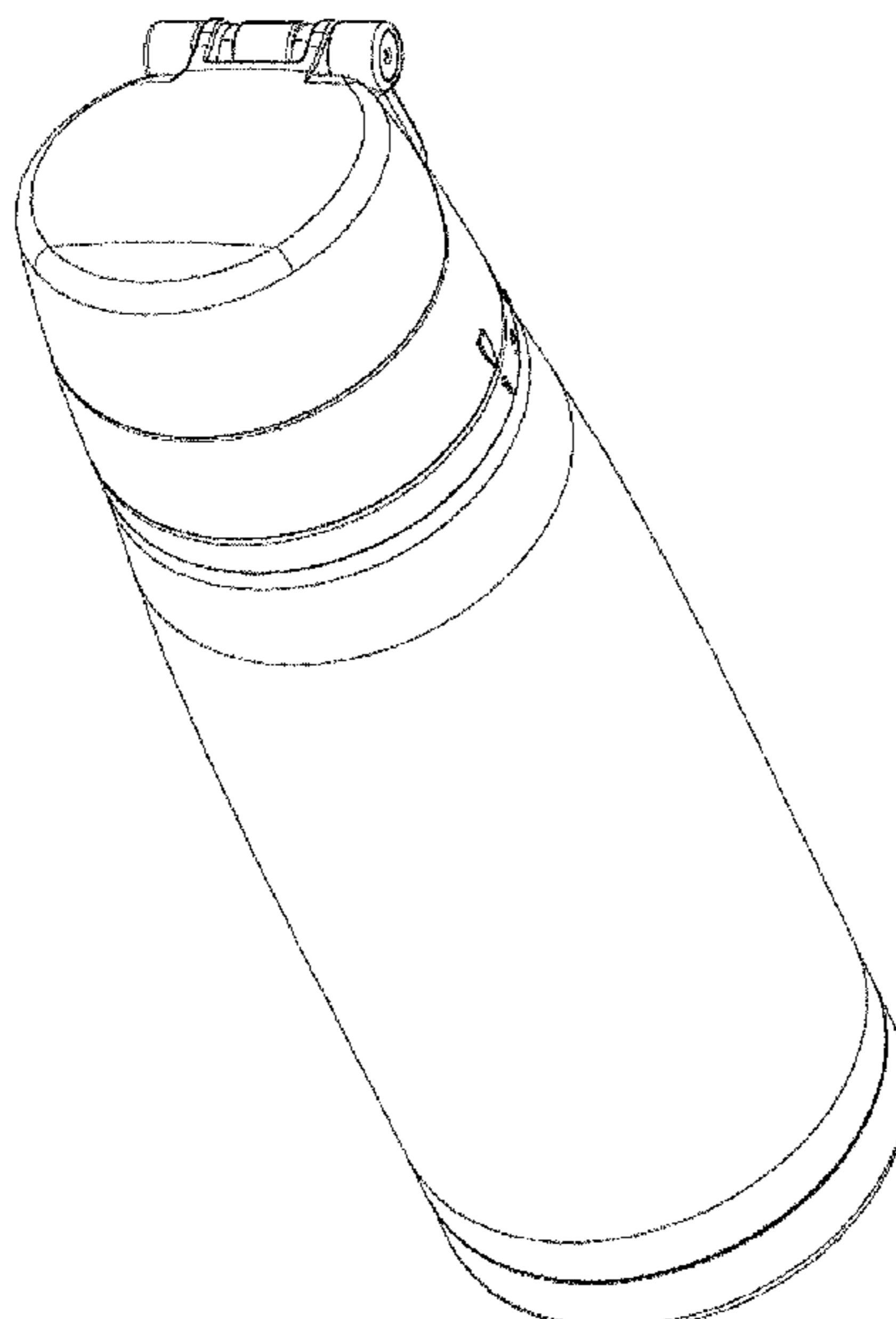
FIG. 5 is a side elevational view of the right side of the combined drink bottle and lid having back button release cover and carry loop of FIG. 1;

FIG. 6 is a rear elevational view of the combined drink bottle and lid having back button release cover and carry loop of FIG. 1;

FIG. 7 is a top plan view of the combined drink bottle and lid having back button release cover and carry loop of FIG. 1; and,

FIG. 8 is a bottom plan view of the combined drink bottle and lid having back button release cover and carry loop of FIG. 1.

1 Claim, 8 Drawing Sheets



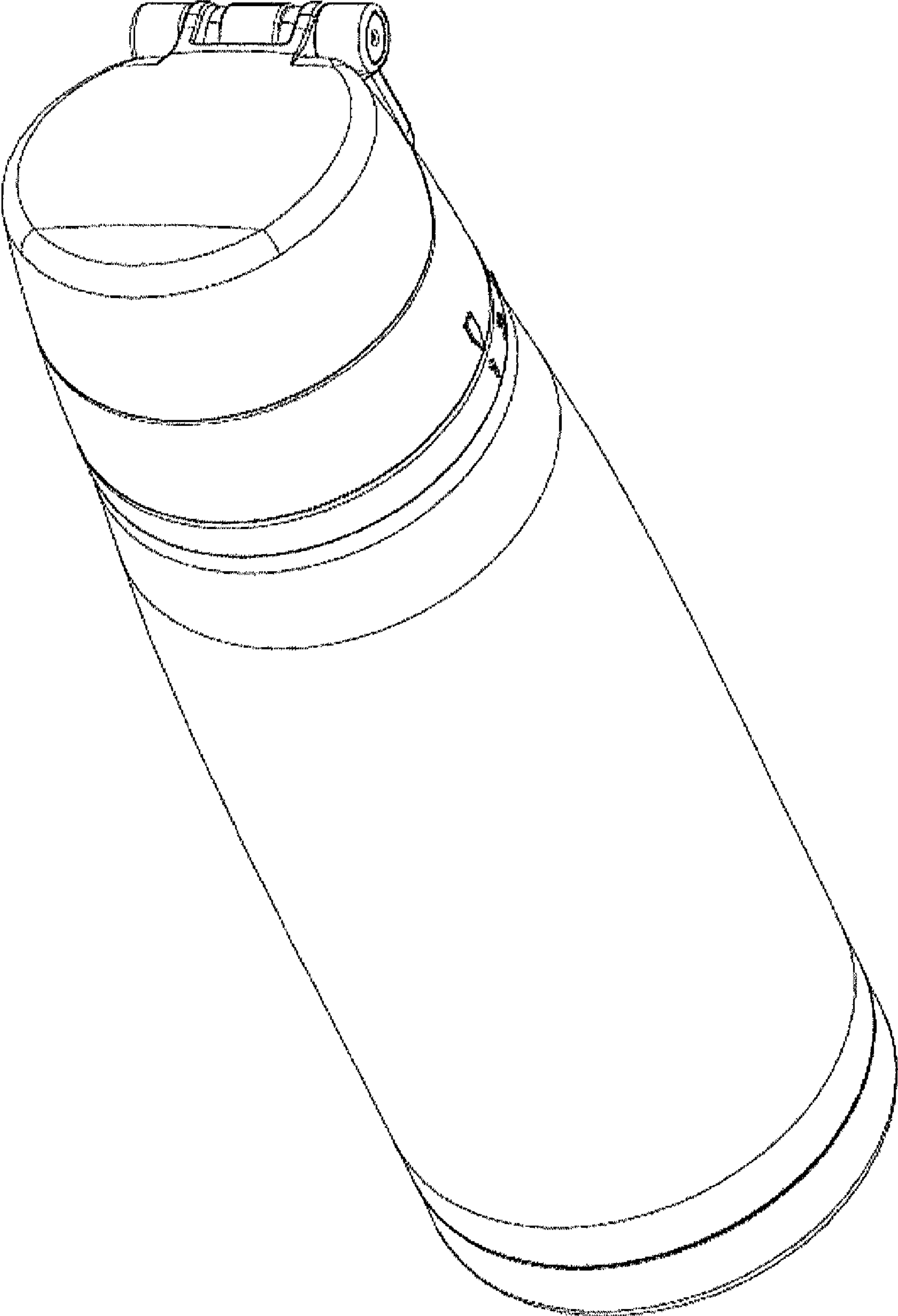


Figure 1

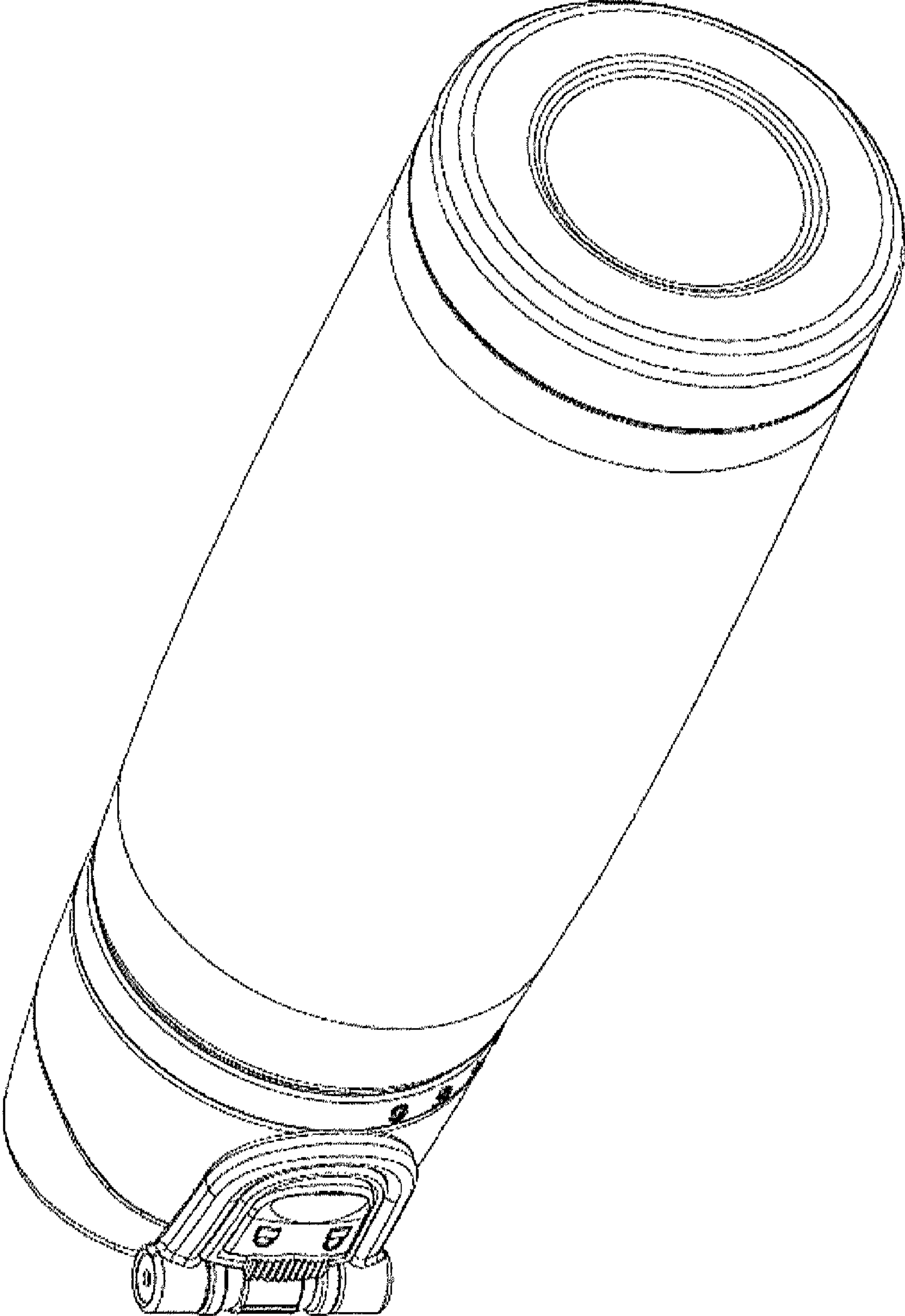


Figure 2

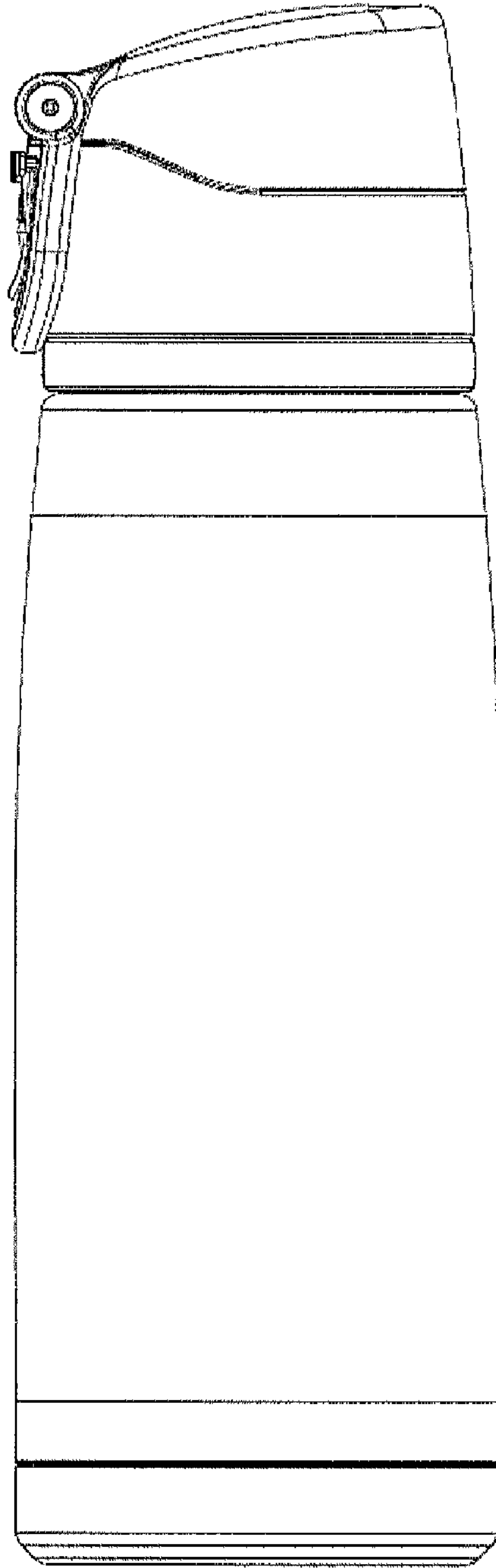


Figure 3

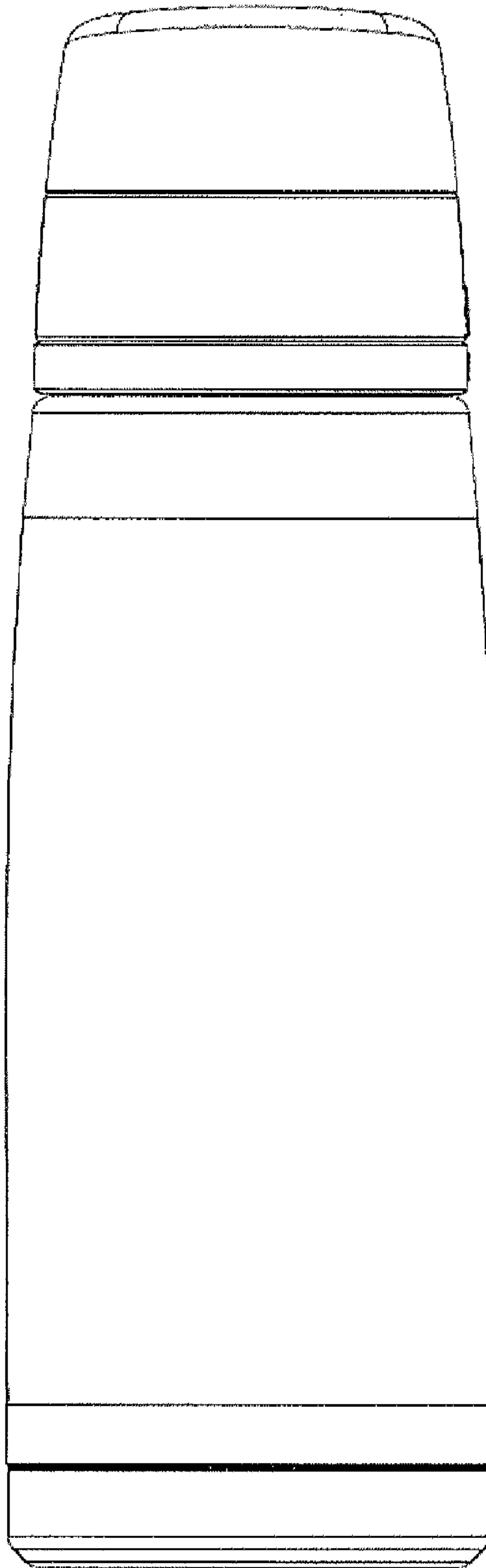


Figure 4

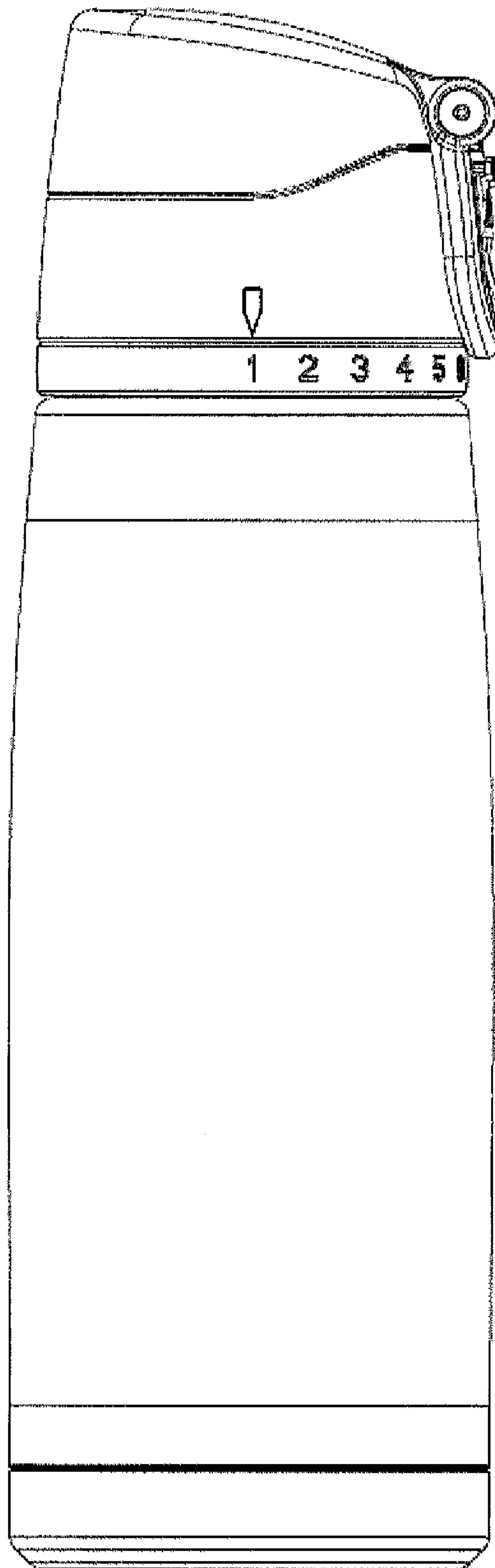


Figure 5

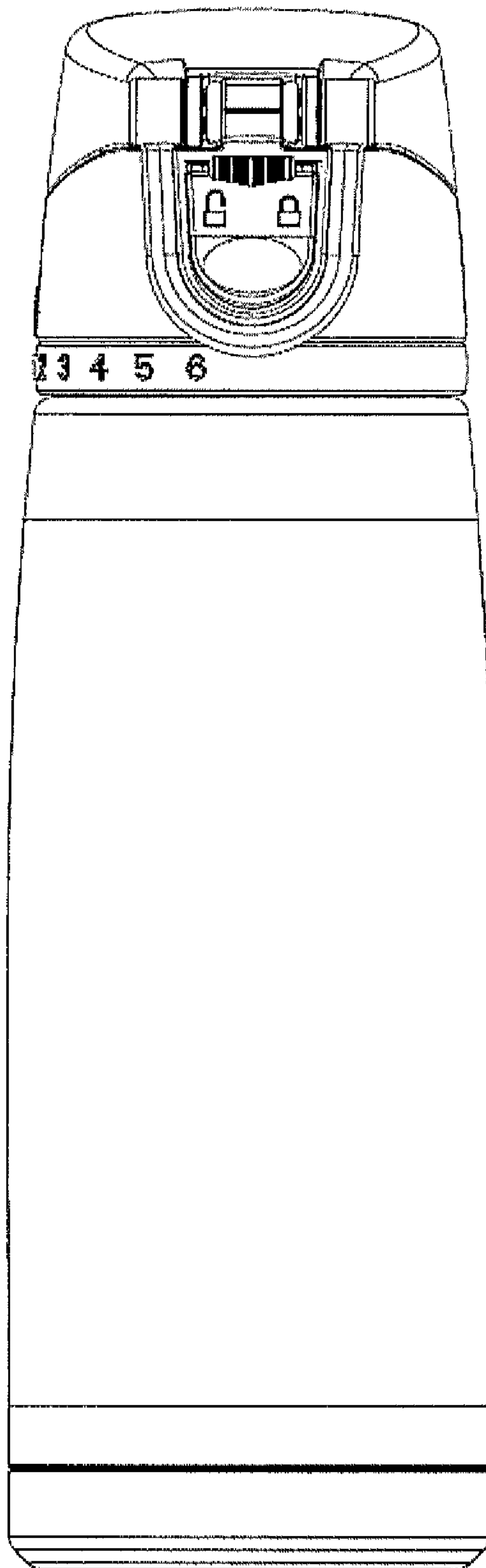


Figure 6

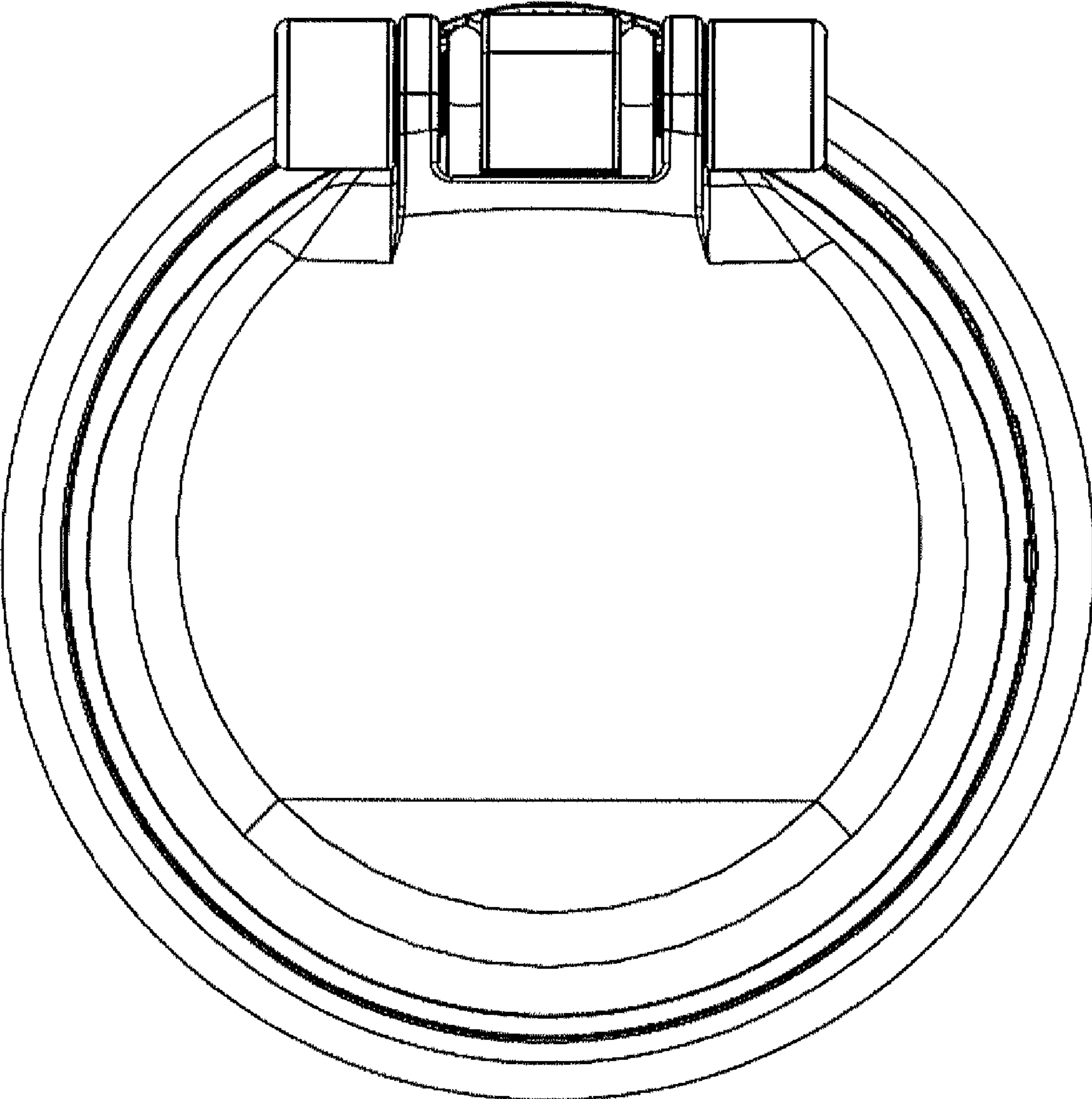


Figure 7

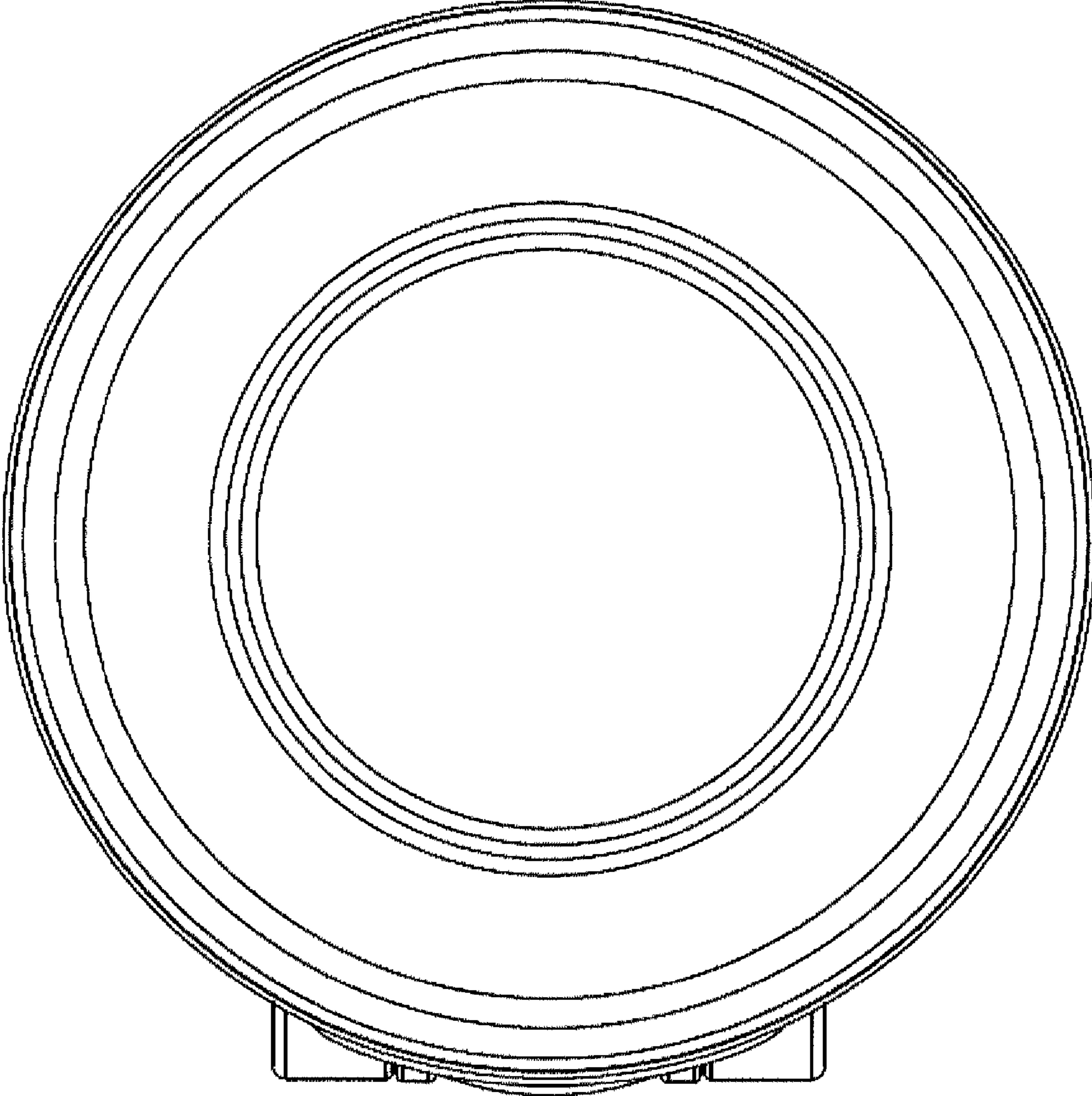


Figure 8