



US00D676706S

(12) **United States Design Patent**
Kern et al.

(10) **Patent No.:** **US D676,706 S**

(45) **Date of Patent:** **** Feb. 26, 2013**

(54) **LID**

(75) Inventors: **Elizabeth C. Kern**, Minneapolis, MN (US); **Ashley L. Kneller**, Minneapolis, MN (US); **Rachel A. Jones**, Minneapolis, MN (US); **Stacy L. Abel**, Maple Grove, MN (US)

(73) Assignee: **Target Brands, Inc.**, Minneapolis, MN (US)

(**) Term: **14 Years**

(21) Appl. No.: **29/384,580**

(22) Filed: **Feb. 1, 2011**

(51) **LOC (9) Cl.** **07-01**

(52) **U.S. Cl.** **D7/392**

(58) **Field of Classification Search** D7/300,
D7/300.1, 316-319, 392, 392.1, 394, 396.2,
D7/397, 510; D9/439, 447, 449, 504, 505;
220/254.8, 374, 460, 472, 522; 215/13.1;
99/299, 304, 305

See application file for complete search history.

(56) **References Cited**

U.S. PATENT DOCUMENTS

933,302	A	*	9/1909	Hartwell	220/522
D160,485	S	*	10/1950	Detzel	D9/439
D336,817	S	*	6/1993	Wilcox, Jr.	D7/392
D343,988	S	*	2/1994	Spence, Jr.	D7/391
D411,745	S	*	6/1999	Mohary et al.	D9/449
D527,219	S	*	8/2006	Trombly	D7/392.1
D555,416	S	*	11/2007	Bodum	D7/317
D568,097	S	*	5/2008	Thuliez	D7/400
D581,211	S	*	11/2008	Lapsker	D7/396.2
D609,571	S	*	2/2010	Butler et al.	D9/504
D620,742	S	*	8/2010	Lion et al.	D7/316
D621,648	S	*	8/2010	Lown et al.	D7/316
D646,932	S	*	10/2011	Melms, Jr.	D7/598
D655,563	S	*	3/2012	Kern et al.	D7/319
D661,544	S	*	6/2012	Enghard	D7/397

D661,939	S	*	6/2012	Kern et al.	D7/316
2011/0048241	A1	*	3/2011	Smit	99/288
2011/0198352	A1	*	8/2011	Lown et al.	220/254.8

OTHER PUBLICATIONS

Kaboodle, "Vintage Atomic Pyrex Glass Juice Pitcher Carafe by Junkculture on Etsy," pp. 1-4, <http://www.kaboodle.com/reviews/vintage-atomic-pyrex-glass-juice-pitcher-carafe-by-junkculture-on-etsy> (last visited on Nov. 17, 2010).

* cited by examiner

Primary Examiner — Susan E Krakower

(74) *Attorney, Agent, or Firm* — Leanne Taveggia Farrell; Westman, Champlin & Kelly, P.A.

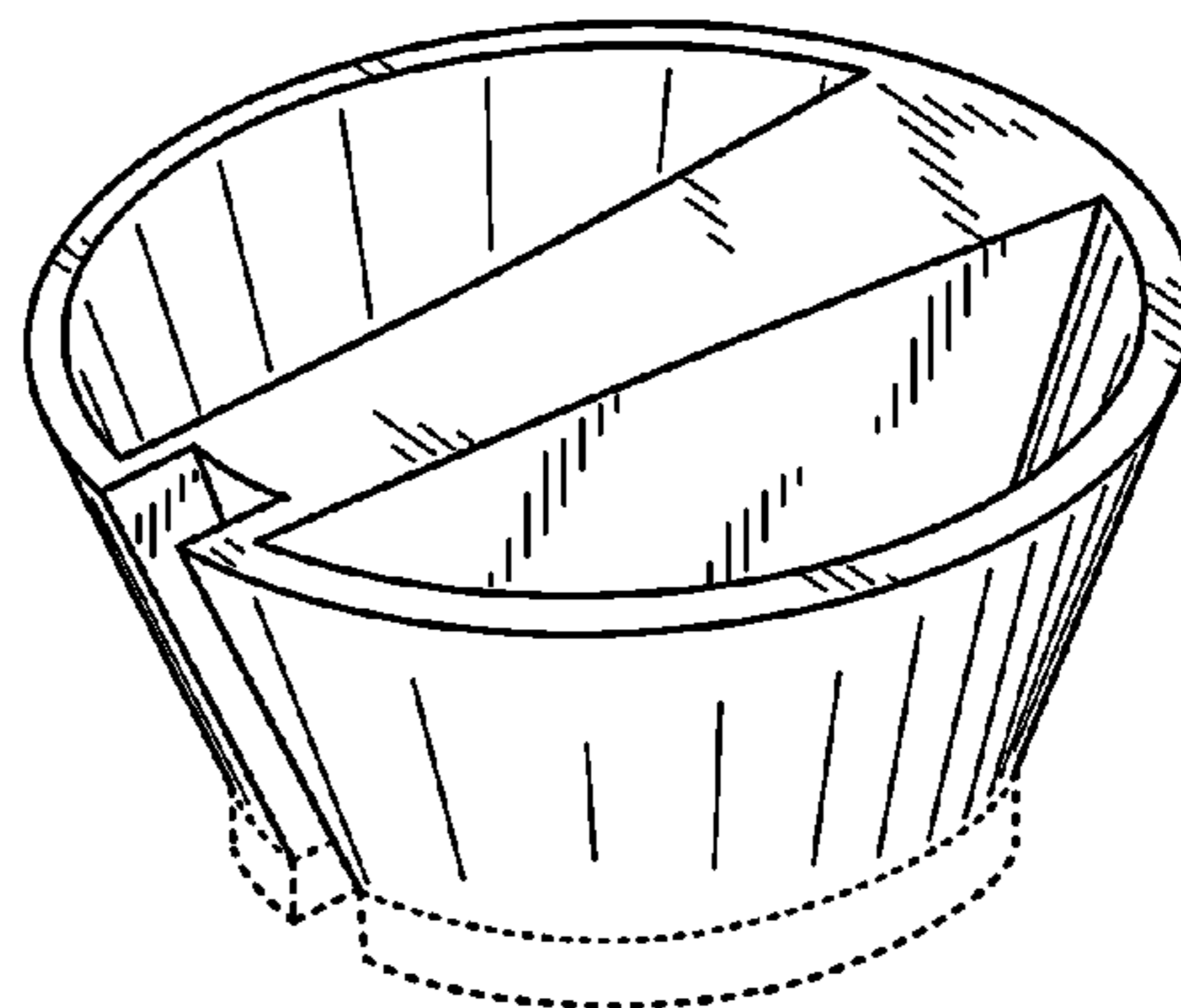
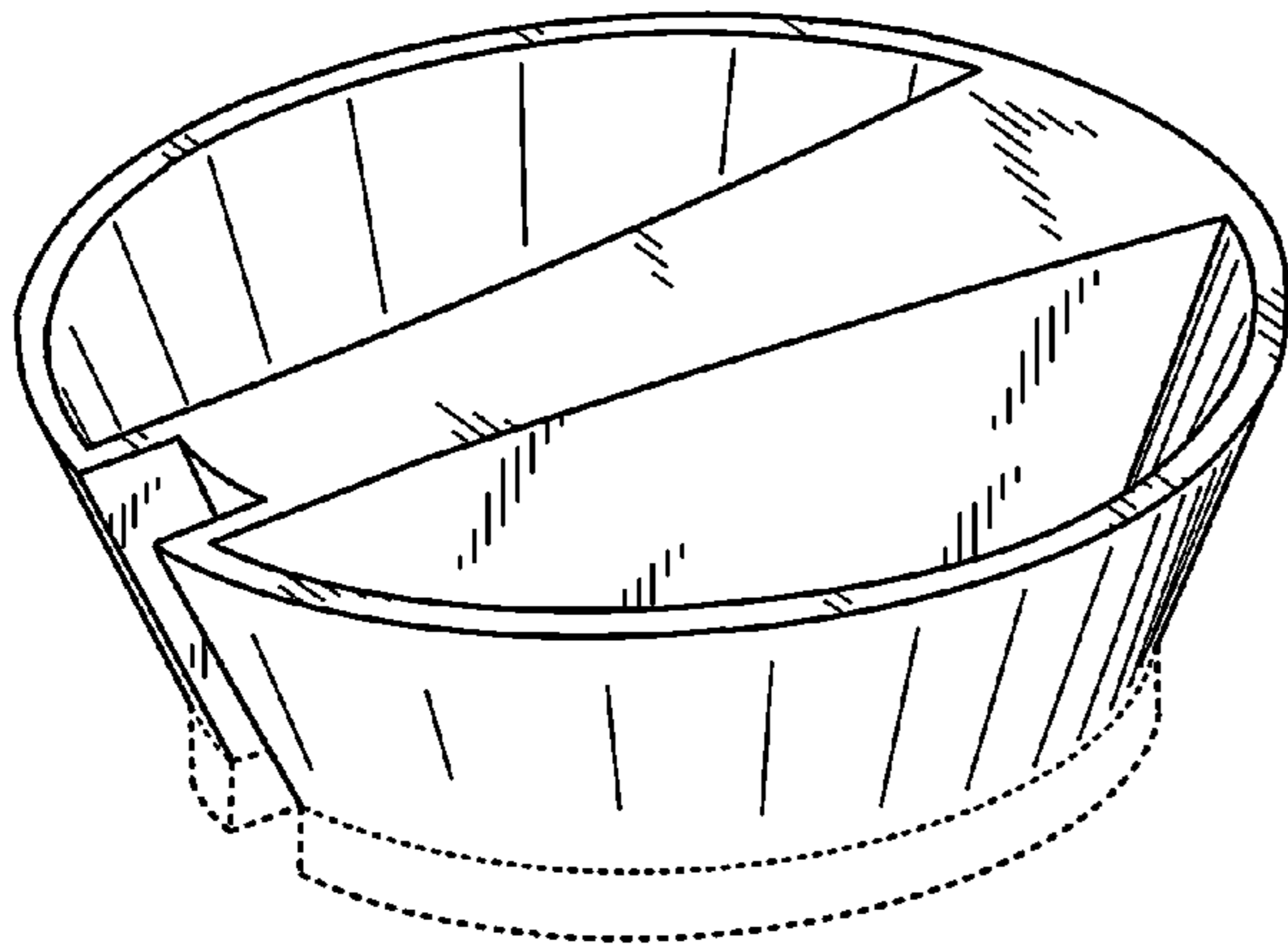
(57) **CLAIM**

The ornamental design for a lid, as shown and described.

DESCRIPTION

FIG. 1 is a perspective view of one embodiment of the lid. FIG. 2 is a front view of the lid illustrated in FIG. 1. FIG. 3 is a back view of the lid illustrated in FIG. 1. FIG. 4 is a right side view of the lid illustrated in FIG. 1. FIG. 5 is a left side view of the lid illustrated in FIG. 1. FIG. 6 is a top view of the lid illustrated in FIG. 1. FIG. 7 is a bottom view of the lid illustrated in FIG. 1. FIG. 8 is a perspective view of a second embodiment of the lid. FIG. 9 is a front view of the lid illustrated in FIG. 8. FIG. 10 is a back view of the lid illustrated in FIG. 8. FIG. 11 is a right side view of the lid illustrated in FIG. 8. FIG. 12 is a left side view of the lid illustrated in FIG. 8. FIG. 13 is a top view of the lid illustrated in FIG. 8; and, FIG. 14 is a bottom view of the lid illustrated in FIG. 8. The broken lines in FIGS. 1-5, 7-12 and 14 show portions of the lid which form no part of the claimed design.

1 Claim, 8 Drawing Sheets



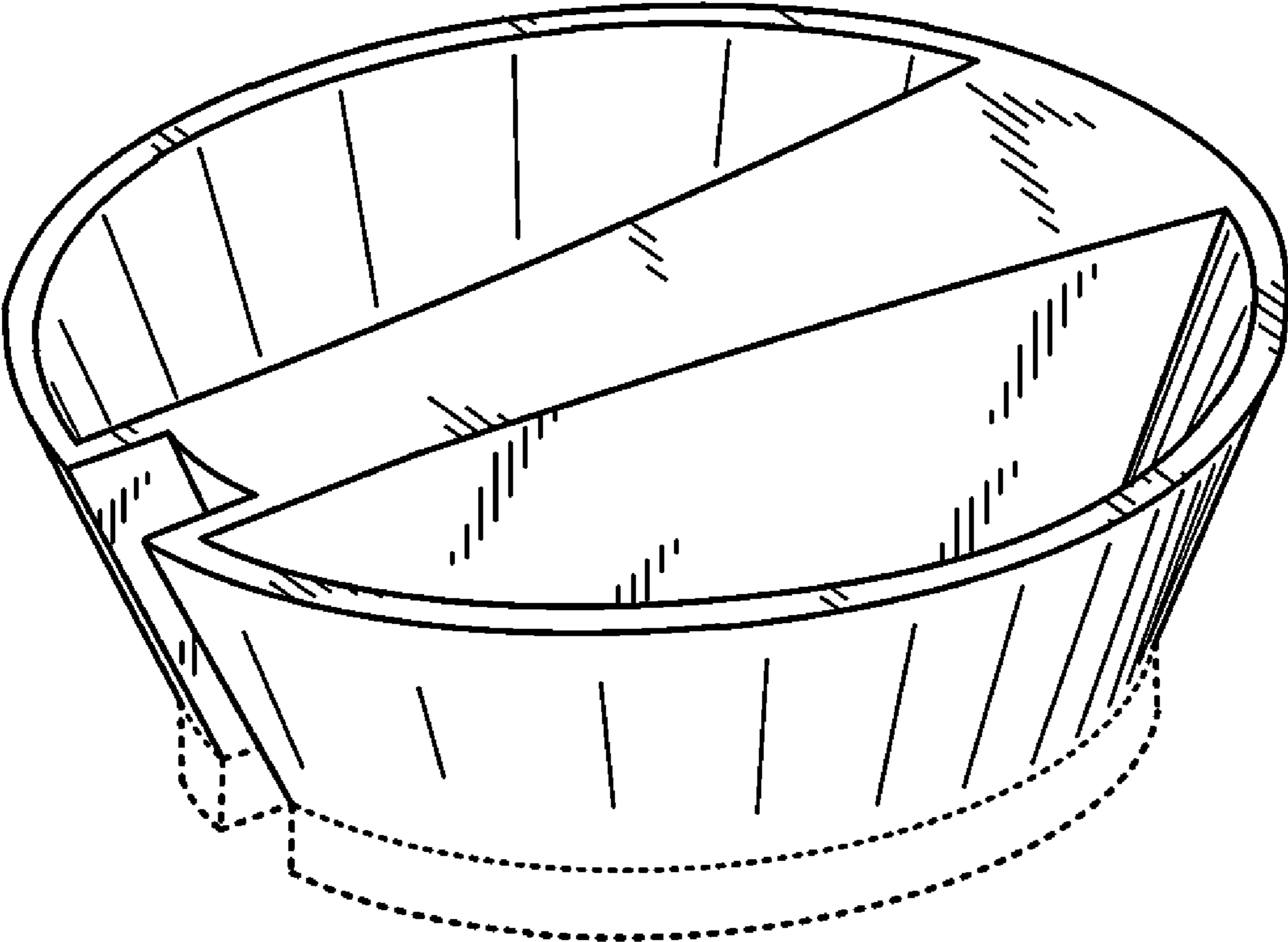


Fig. 1

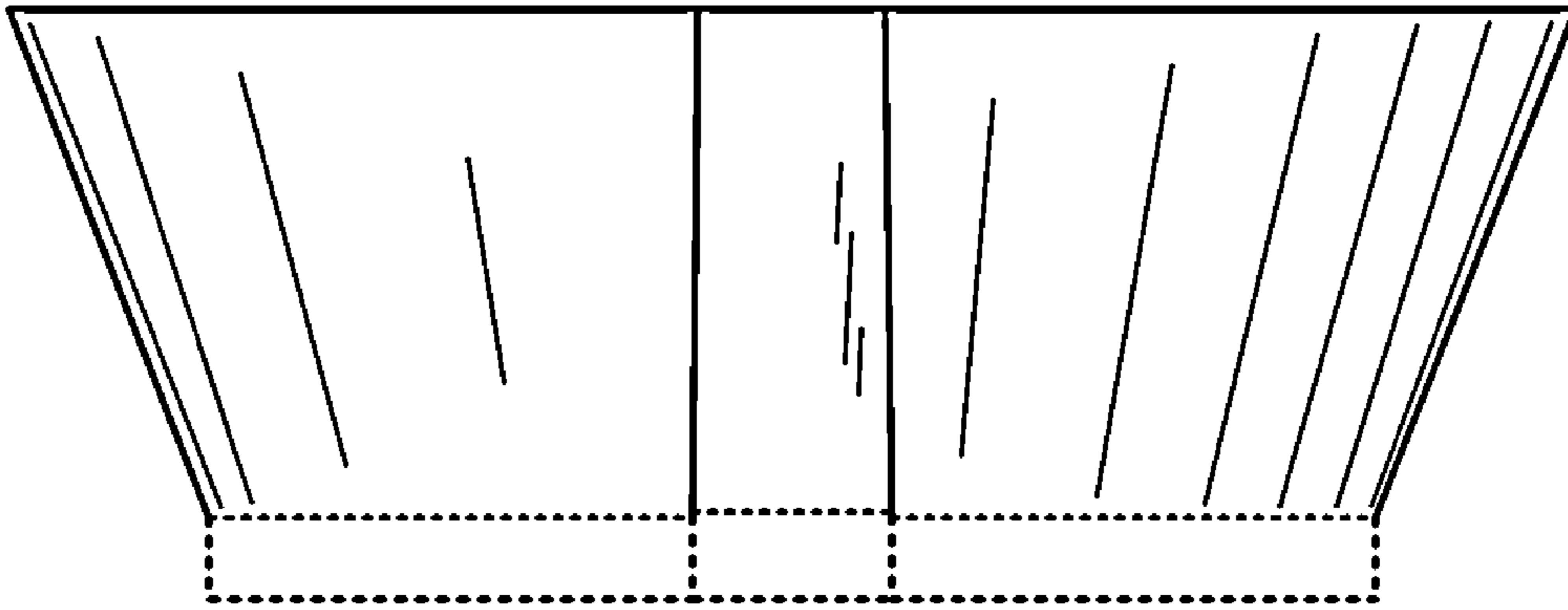


Fig. 2

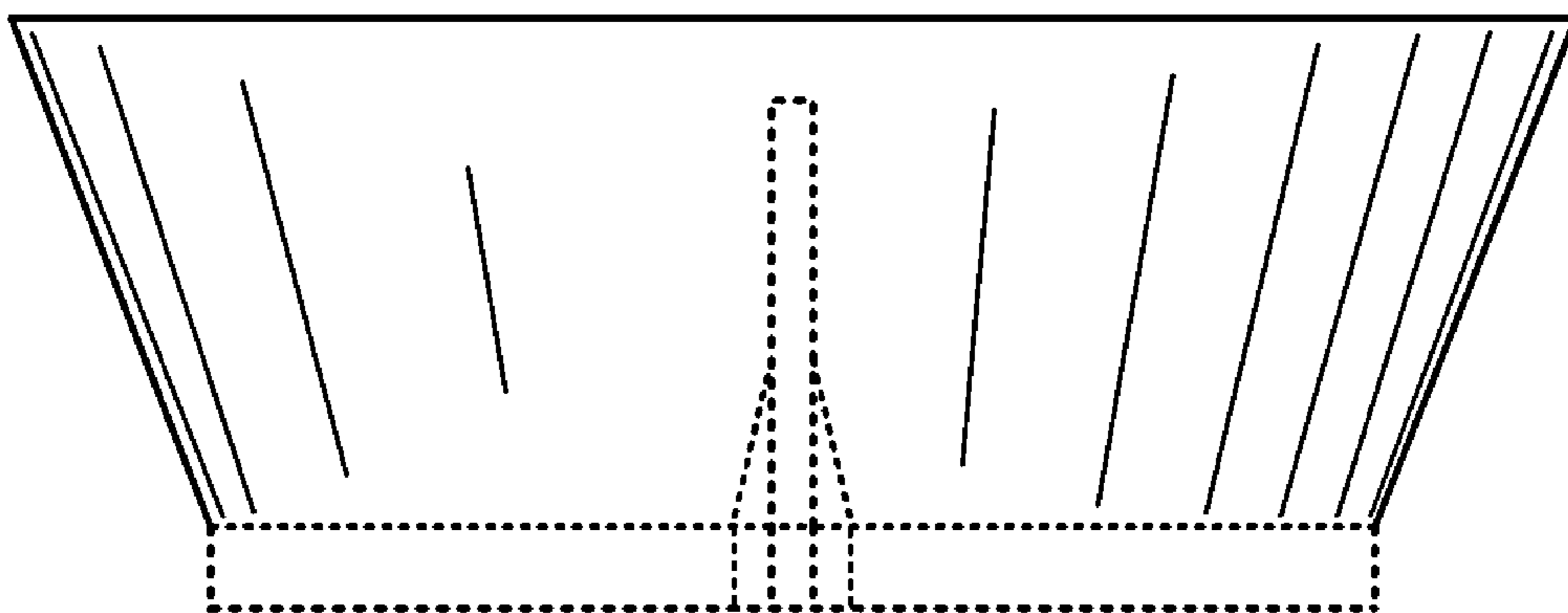


Fig. 3

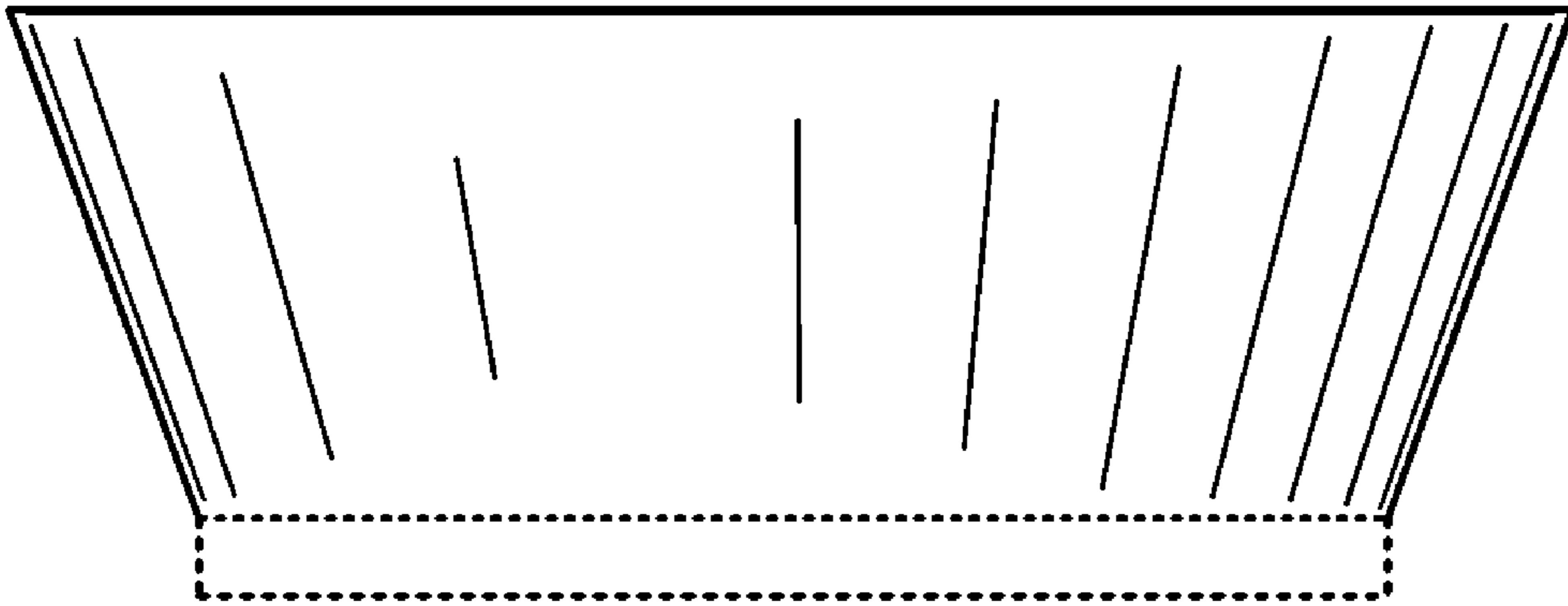


Fig. 4

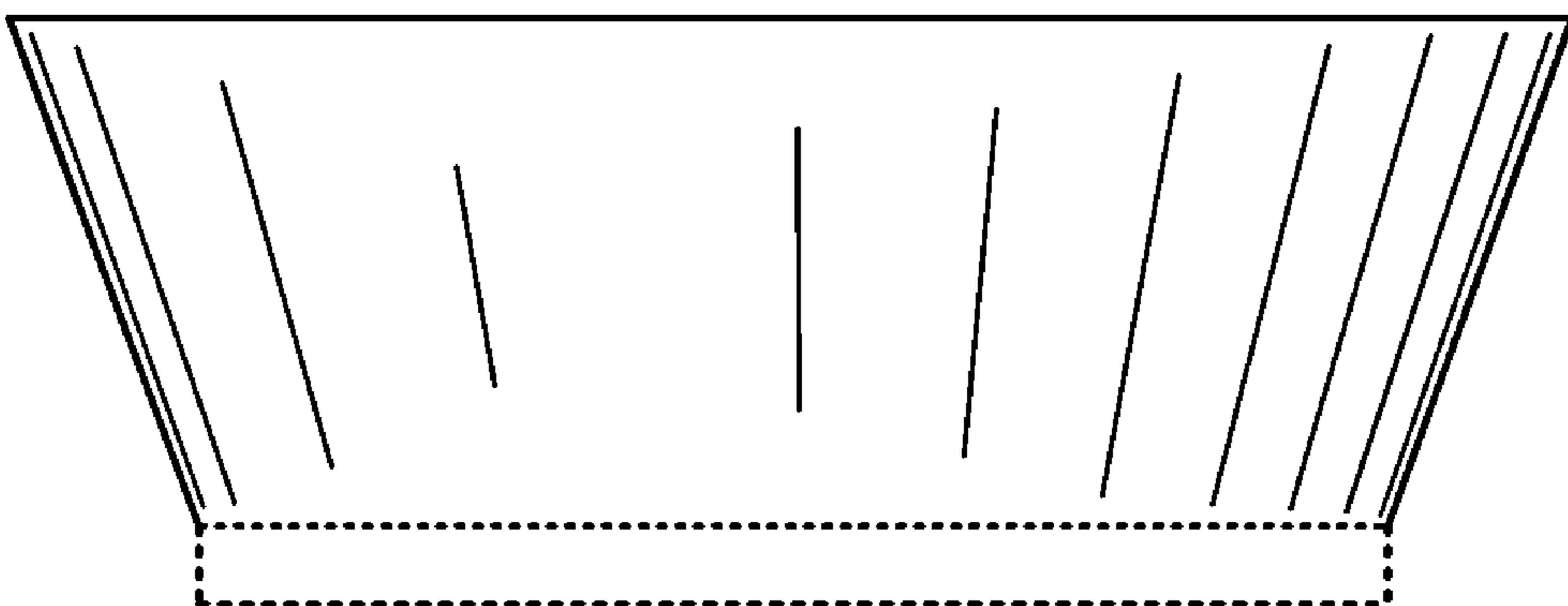


Fig. 5

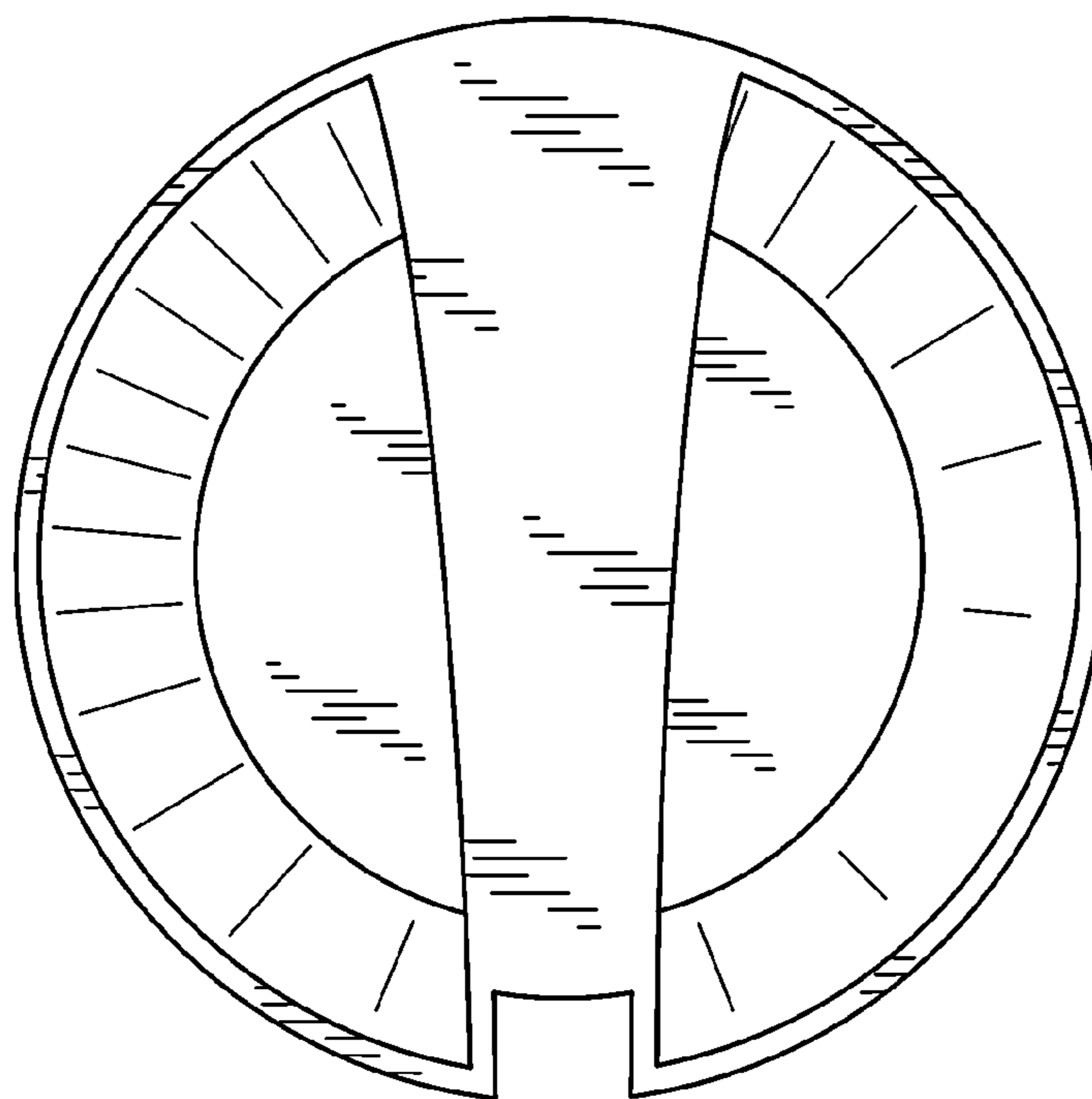


Fig. 6

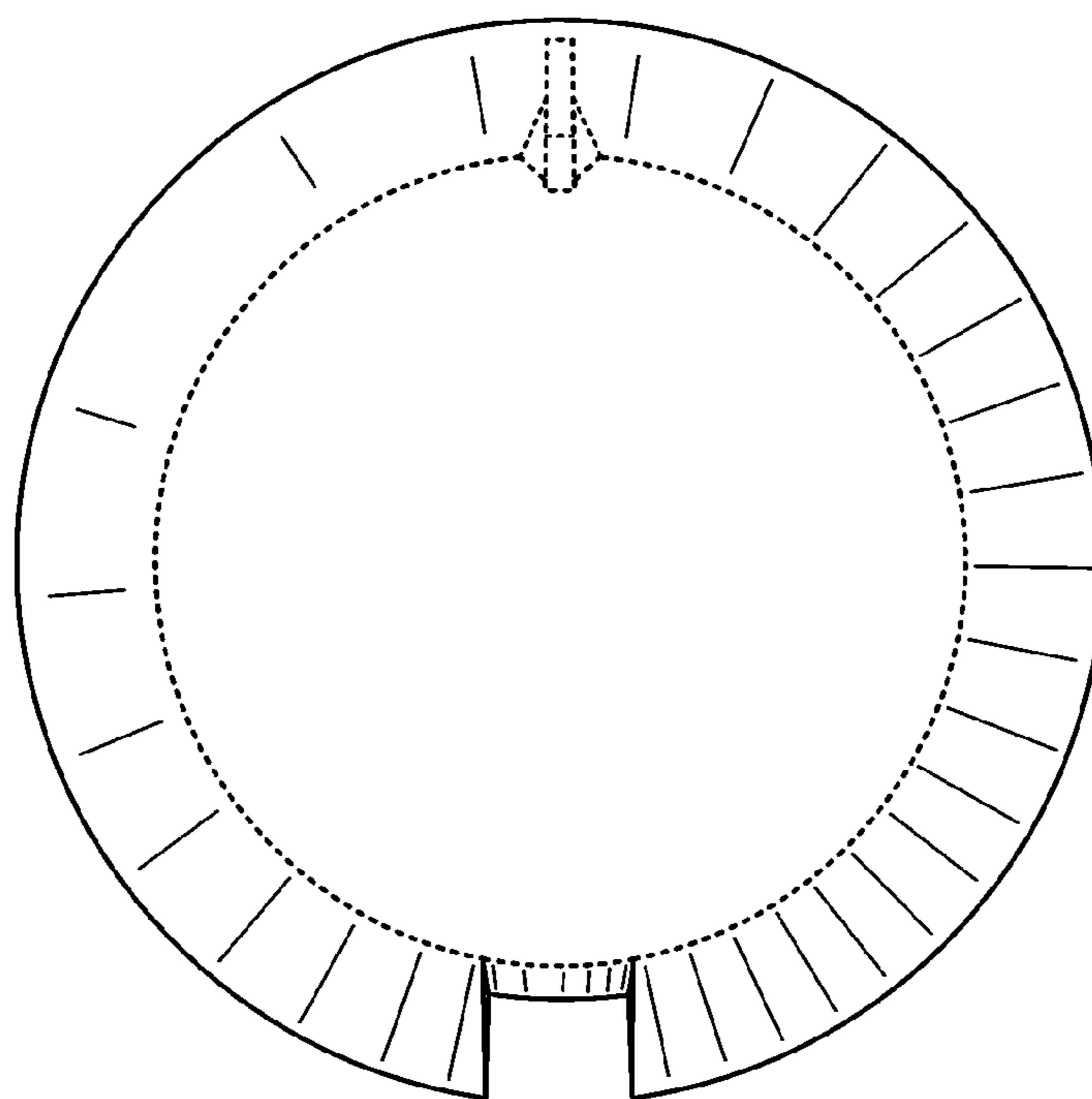


Fig. 7

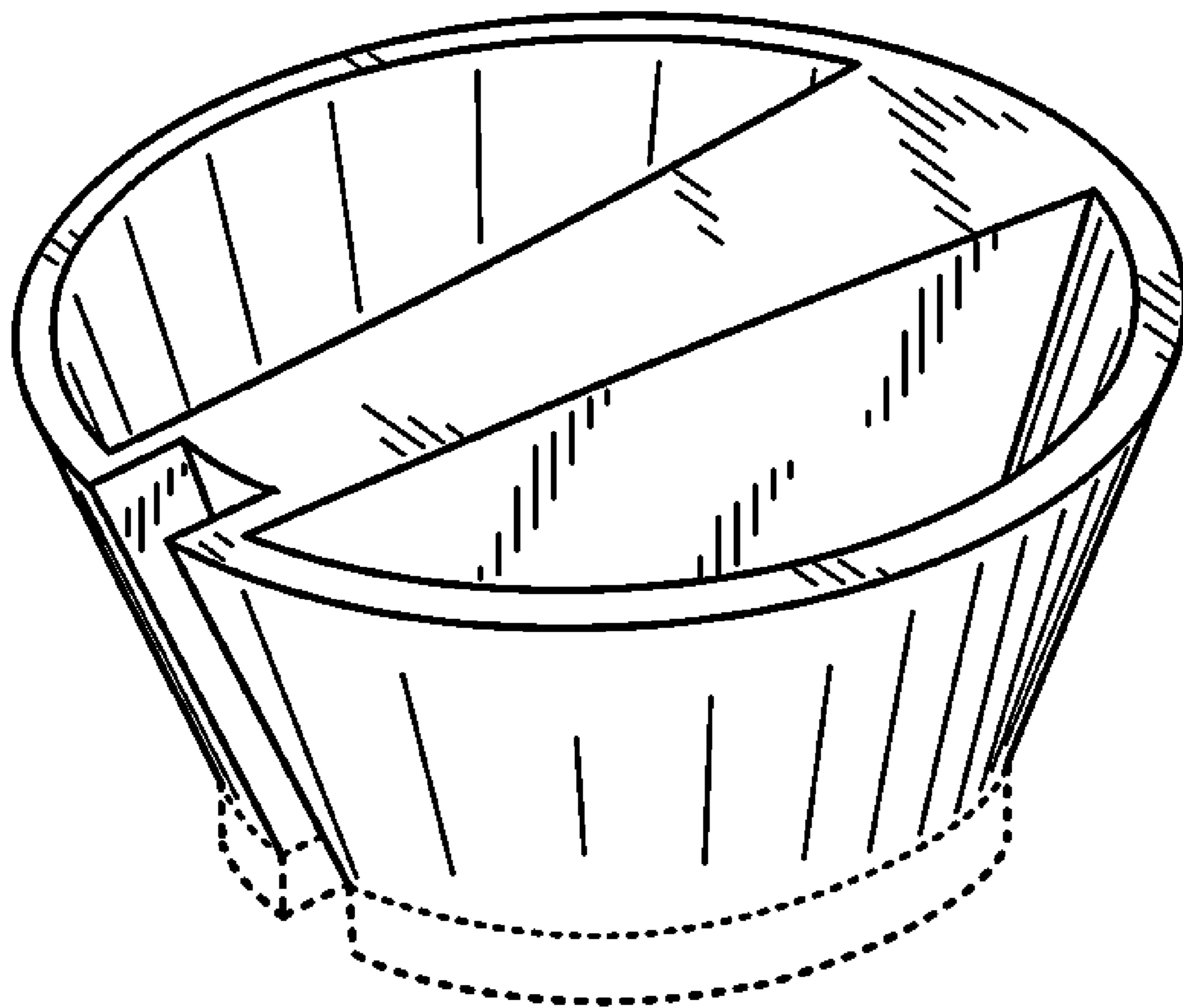


Fig. 8

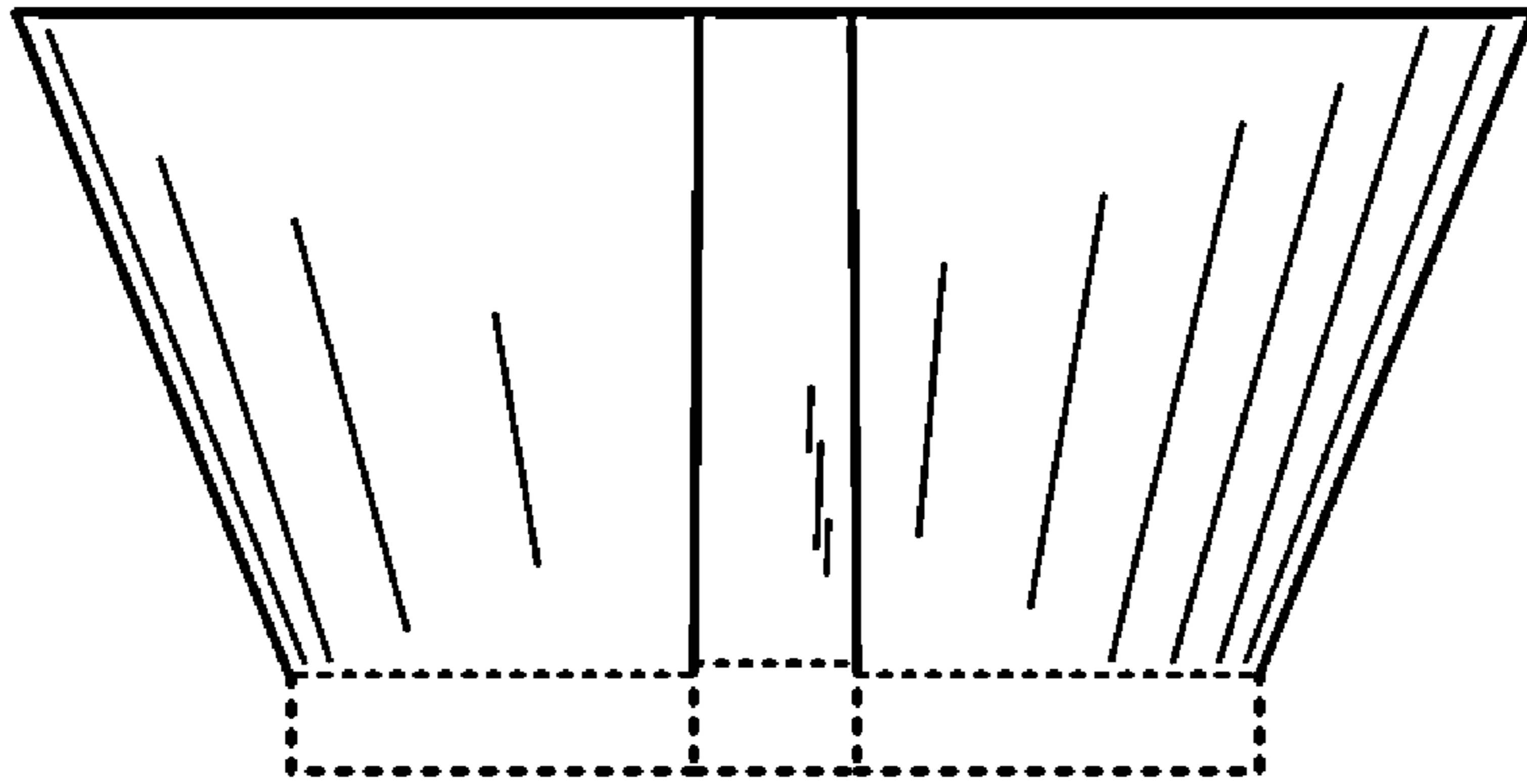


Fig. 9

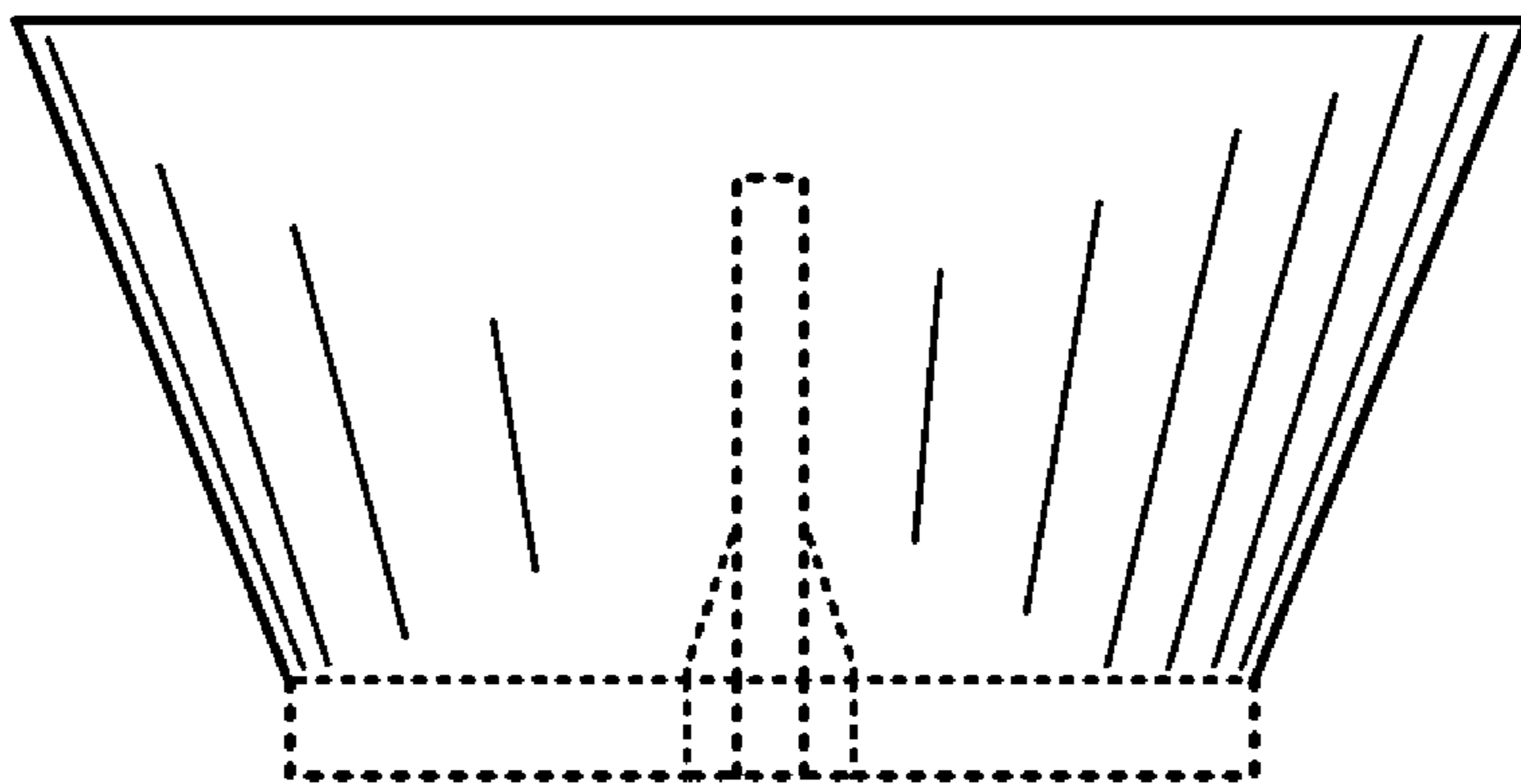


Fig. 10

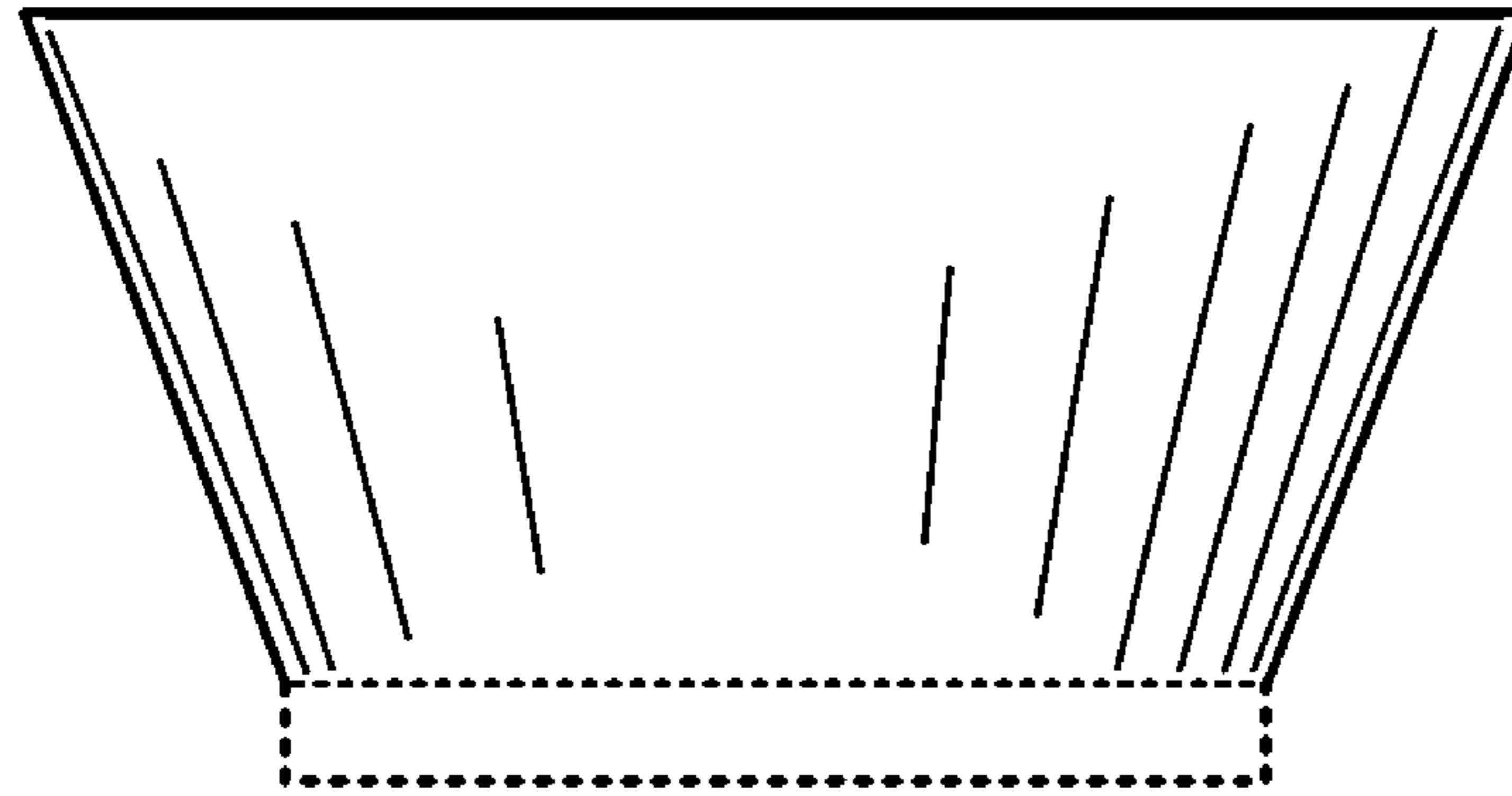


Fig. 11

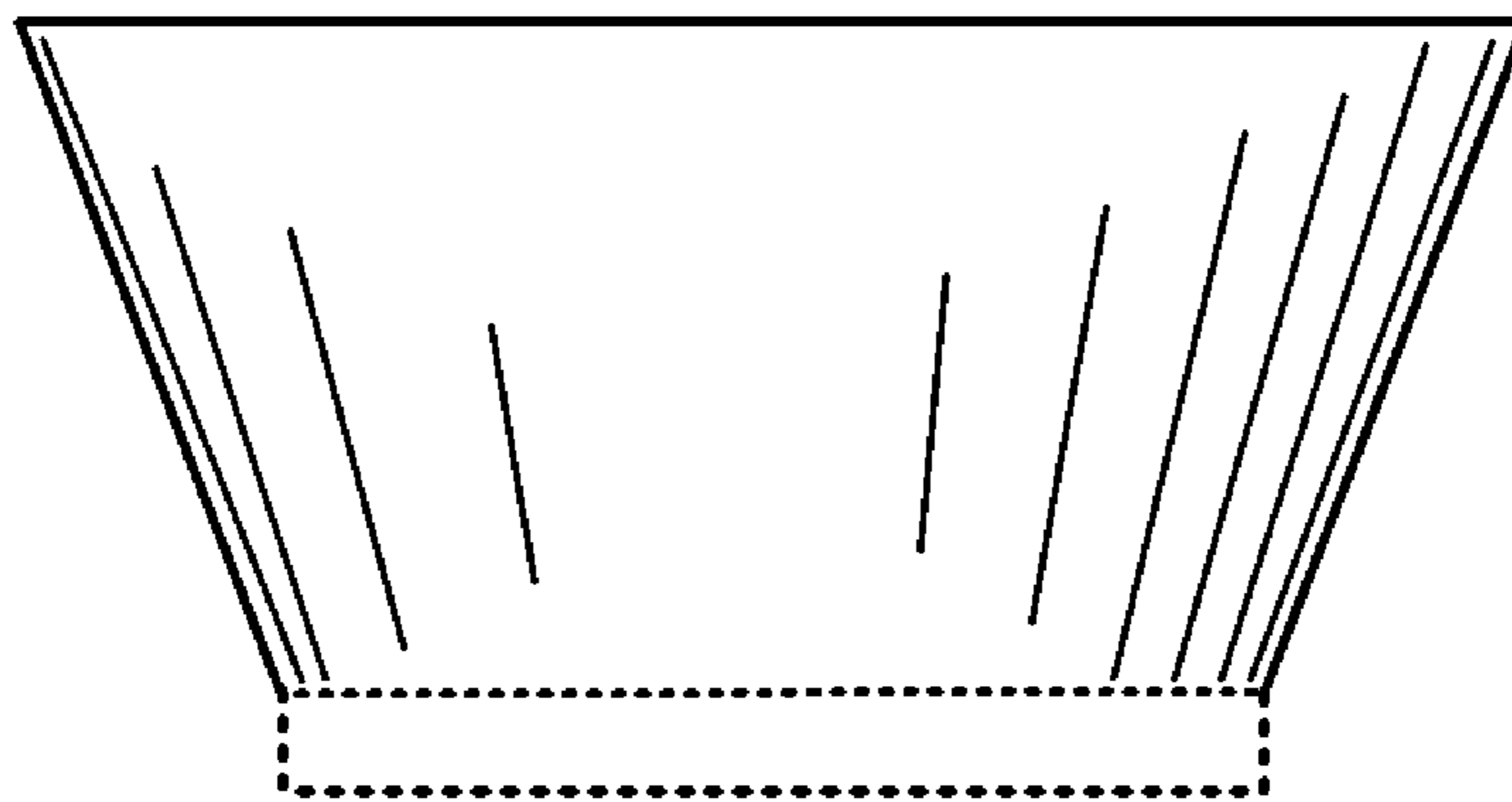


Fig. 12

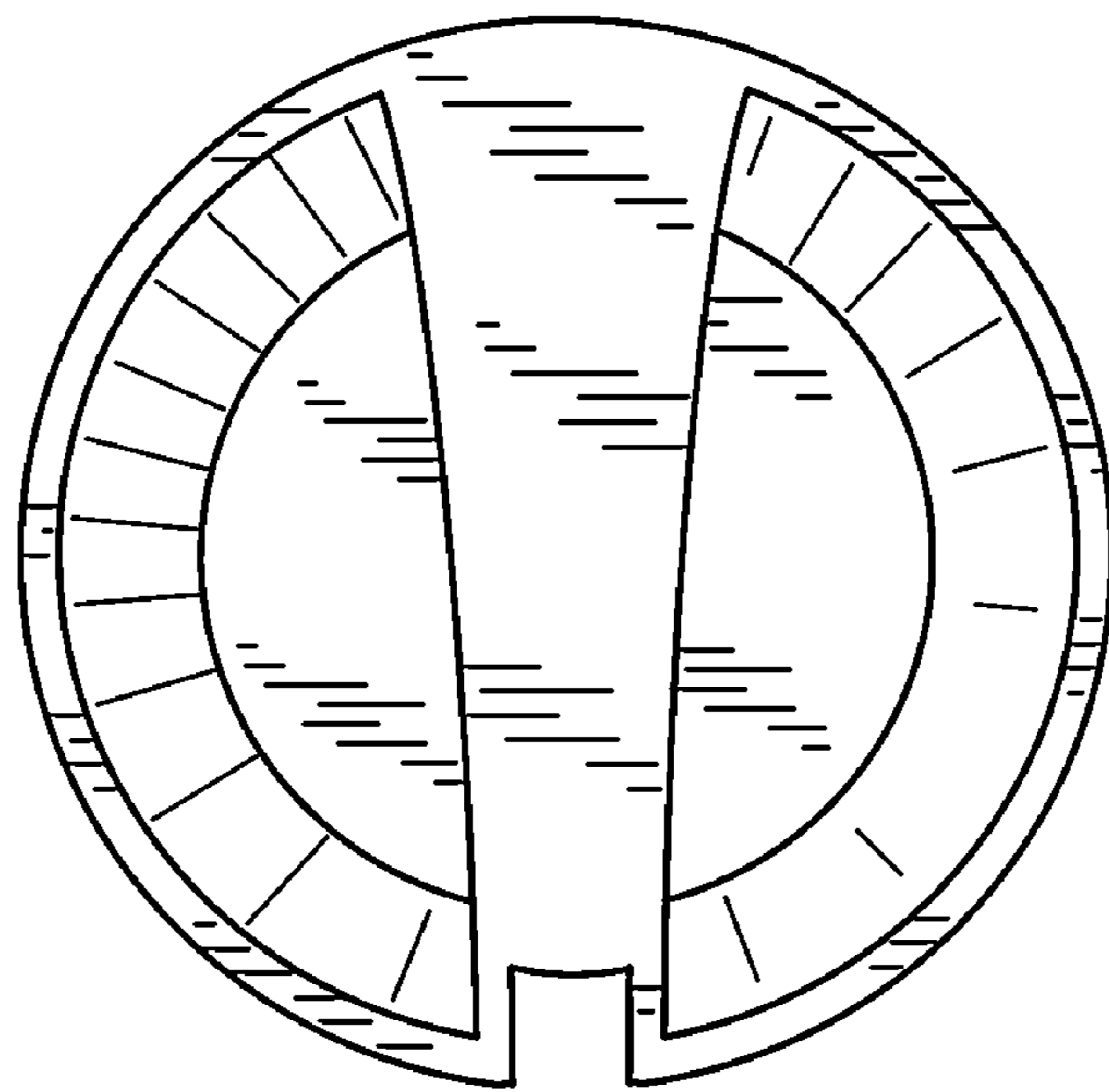


Fig. 13

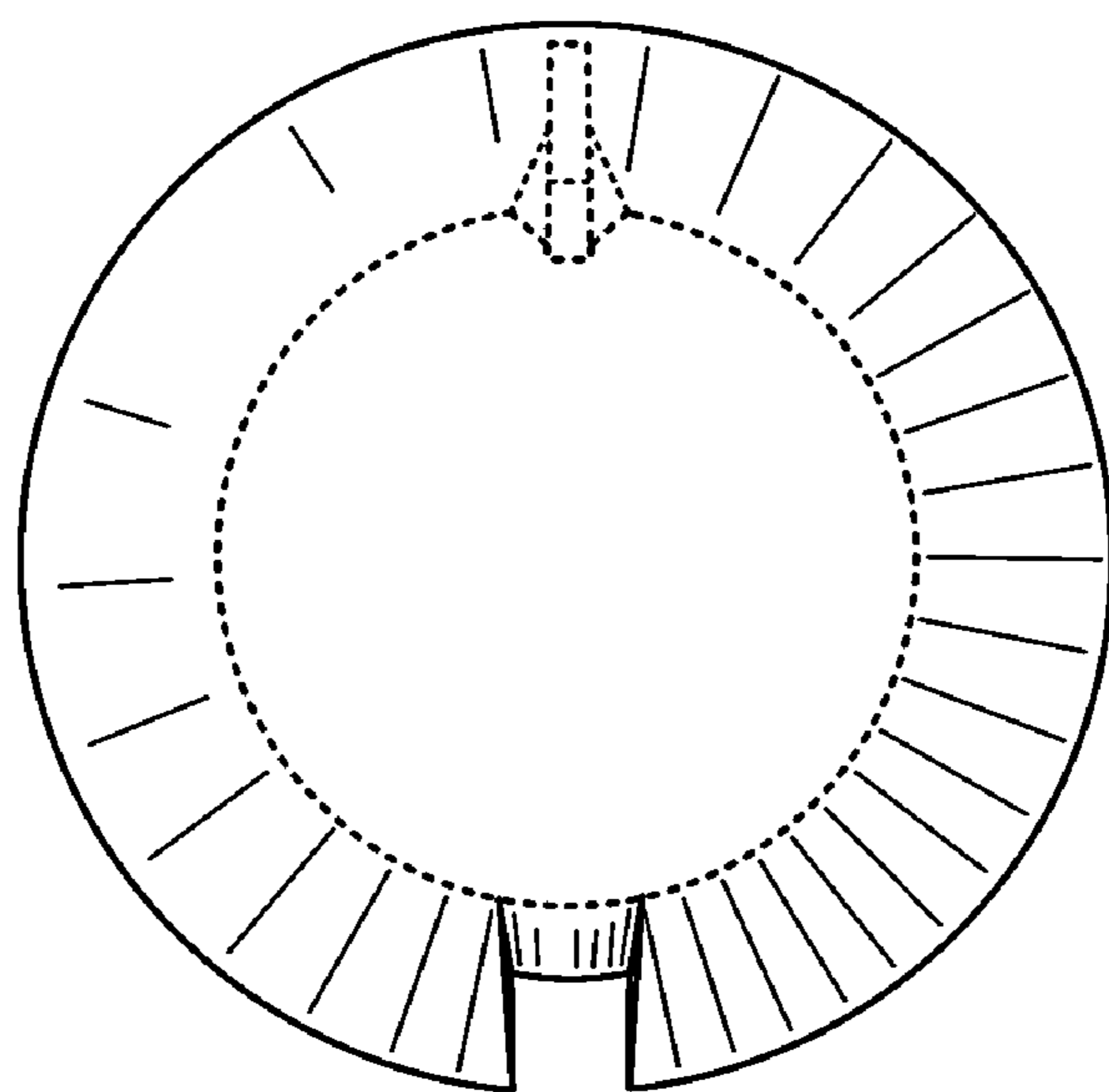


Fig. 14