



US00D676705S

(12) **United States Design Patent**  
**Di Bartolo**

(10) **Patent No.:** **US D676,705 S**

(45) **Date of Patent:** **\*\* Feb. 26, 2013**

(54) **SET OF FRYING AND STEAMING DEVICES**

(76) Inventor: **John A. Di Bartolo**, Wayne, NJ (US)

(\*\*) Term: **14 Years**

(21) Appl. No.: **29/418,908**

(22) Filed: **Apr. 23, 2012**

(51) **LOC (9) Cl.** ..... **07-02**

(52) **U.S. Cl.** ..... **D7/359; D7/354**

(58) **Field of Classification Search** ..... D7/323,  
D7/329-332, 337-339, 346-347, 350.1-350.4,  
D7/353-367, 391-395, 402-406, 538, 542-543,  
D7/665; 99/324-325, 330-332, 337-343,  
99/366-369, 400-418, 422, 425, 444, 483;  
126/37 R, 41 R, 261, 378.1, 390.1; 206/501-505,  
206/507-508; 219/387, 400, 405, 429-442,  
219/452.11, 620-624, 725, 730-735; 220/314-315,  
220/573.1-573.5, 592.16, 912; 426/438,  
426/441

See application file for complete search history.

(56) **References Cited**

**U.S. PATENT DOCUMENTS**

1,569,544	A	1/1926	Jamison	
2,219,949	A	10/1940	Childs	
2,534,407	A *	12/1950	Bramberry, Jr.	126/390.1
4,401,017	A	8/1983	Feld	
D280,879	S	10/1985	Infante	
4,817,509	A	4/1989	Erickson	
5,033,453	A	7/1991	Loyd et al.	
D372,395	S *	8/1996	Candianides	D7/361
D377,438	S *	1/1997	Brunianyn	D7/361
D377,883	S *	2/1997	Candianides	D7/361
6,092,520	A *	7/2000	Hasegawa	126/390.1
D431,151	S *	9/2000	Brunianyn	D7/359
6,196,115	B1	3/2001	Tsao	
6,360,654	B1 *	3/2002	Cornfield	99/339
6,523,460	B1 *	2/2003	Lange	99/340
D482,233	S *	11/2003	Rae	D7/393
6,711,992	B1	3/2004	McLemore	
7,073,498	B2	7/2006	Howell et al.	
D582,202	S *	12/2008	Gerlach	D7/361
D618,505	S *	6/2010	Rae	D7/402
D639,604	S *	6/2011	Degnan	D7/361

D658,433 S \* 5/2012 Zemel ..... D7/393  
2007/0256571 A1 11/2007 Popeil et al.  
2009/0232952 A1 9/2009 Cohn et al.

\* cited by examiner

*Primary Examiner* — Ricky Pham

(74) *Attorney, Agent, or Firm* — Richard L. Miller

(57) **CLAIM**

The ornamental design for a set of frying and steaming devices, as shown and described.

**DESCRIPTION**

FIG. 1 is a perspective view of a first and second embodiment of a frying and steaming device showing my new design; FIG. 2 is a top plan view thereof, taken in the direction of arrow 2 in FIG. 20; FIG. 3 is a bottom plan view thereof, taken in the direction of arrow 3 in FIG. 20; FIG. 4 is a right side elevational view thereof, taken in the direction of arrow 4 in FIG. 20; FIG. 5 is a left side elevational view thereof, taken in the direction of arrow 5 in FIG. 20; FIG. 6 is a front elevational view thereof, taken in the direction of arrow 6 in FIG. 20; FIG. 7 is a rear elevational view thereof, taken in the direction of arrow 7 in FIG. 20; FIG. 8 is a bottom plan view identical to FIG. 3 including a dotted curve indicated by arrow 17; FIG. 9 is a perspective view of a third and fourth embodiment of a frying and steaming device showing my new design; FIG. 10 is a top plan view thereof, taken in the direction of arrow 10 in FIG. 21; FIG. 11 is a bottom plan view thereof, taken in the direction of arrow 11 in FIG. 21; FIG. 12 is a right side elevational view thereof, taken in the direction of arrow 12 in FIG. 21; FIG. 13 is a left side elevational view thereof, taken in the direction of arrow 13 in FIG. 21; FIG. 14 is a front elevational view thereof, taken in the direction of arrow 14 in FIG. 21; FIG. 15 is a rear elevational view thereof, taken in the direction of arrow 15 in FIG. 21;

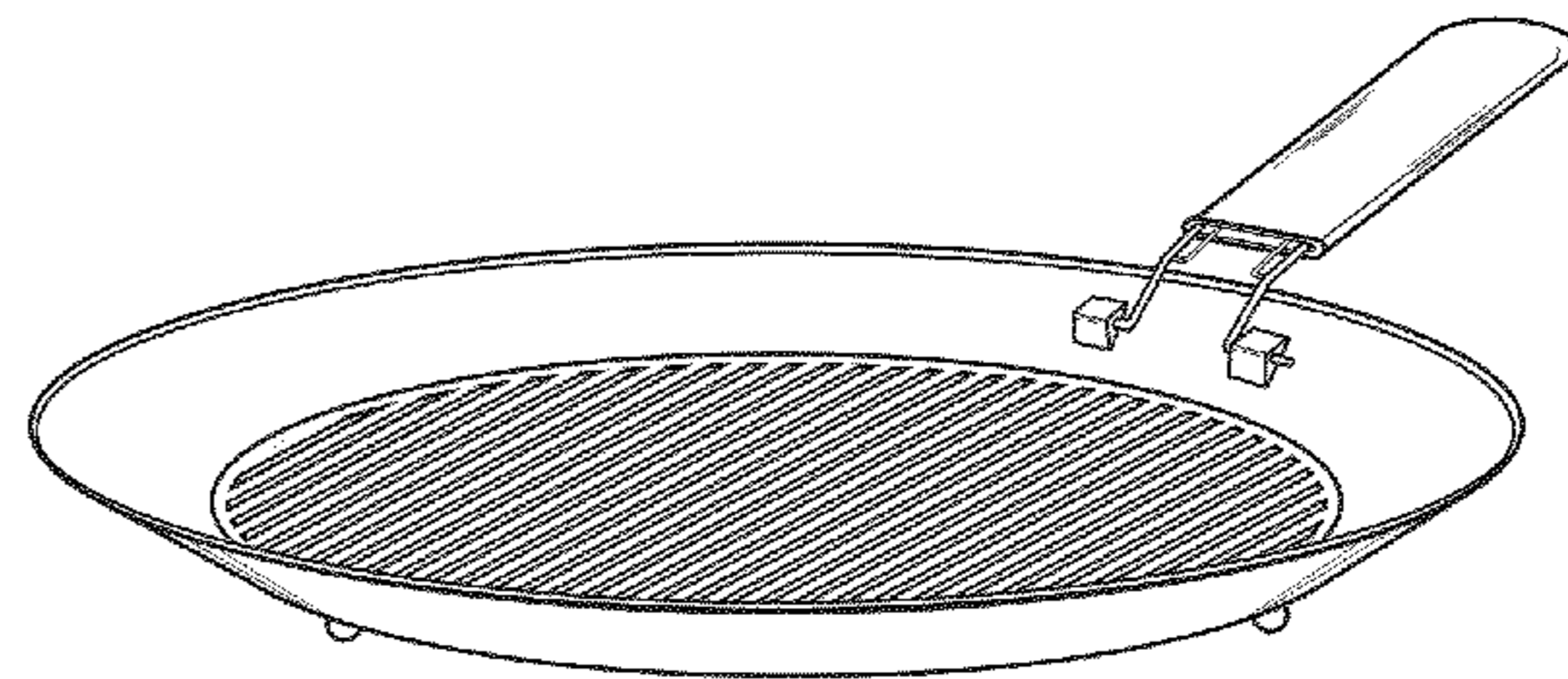
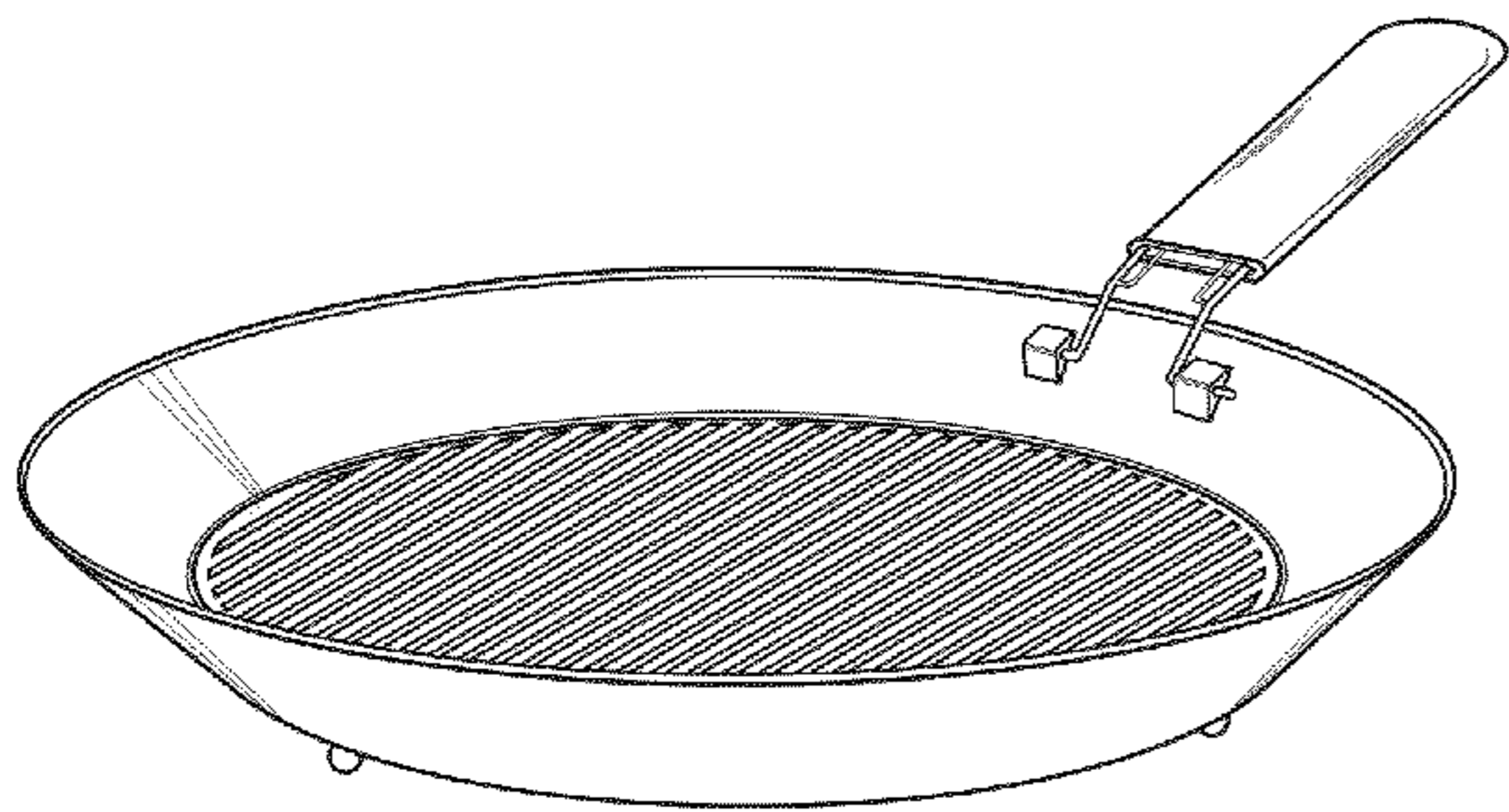


FIG. 16 is a bottom plan view identical to FIG. 11 including a dotted curve indicated by arrow 17;

FIG. 17 is a enlarged plan view of the area enclosed in the dotted curve indicated by arrows 17 in FIGS. 8 and 16;

FIG. 18 is a cross sectional view taken in the direction of line 18-18 in FIG. 17 showing a first and third embodiment of the present invention having square spokes;

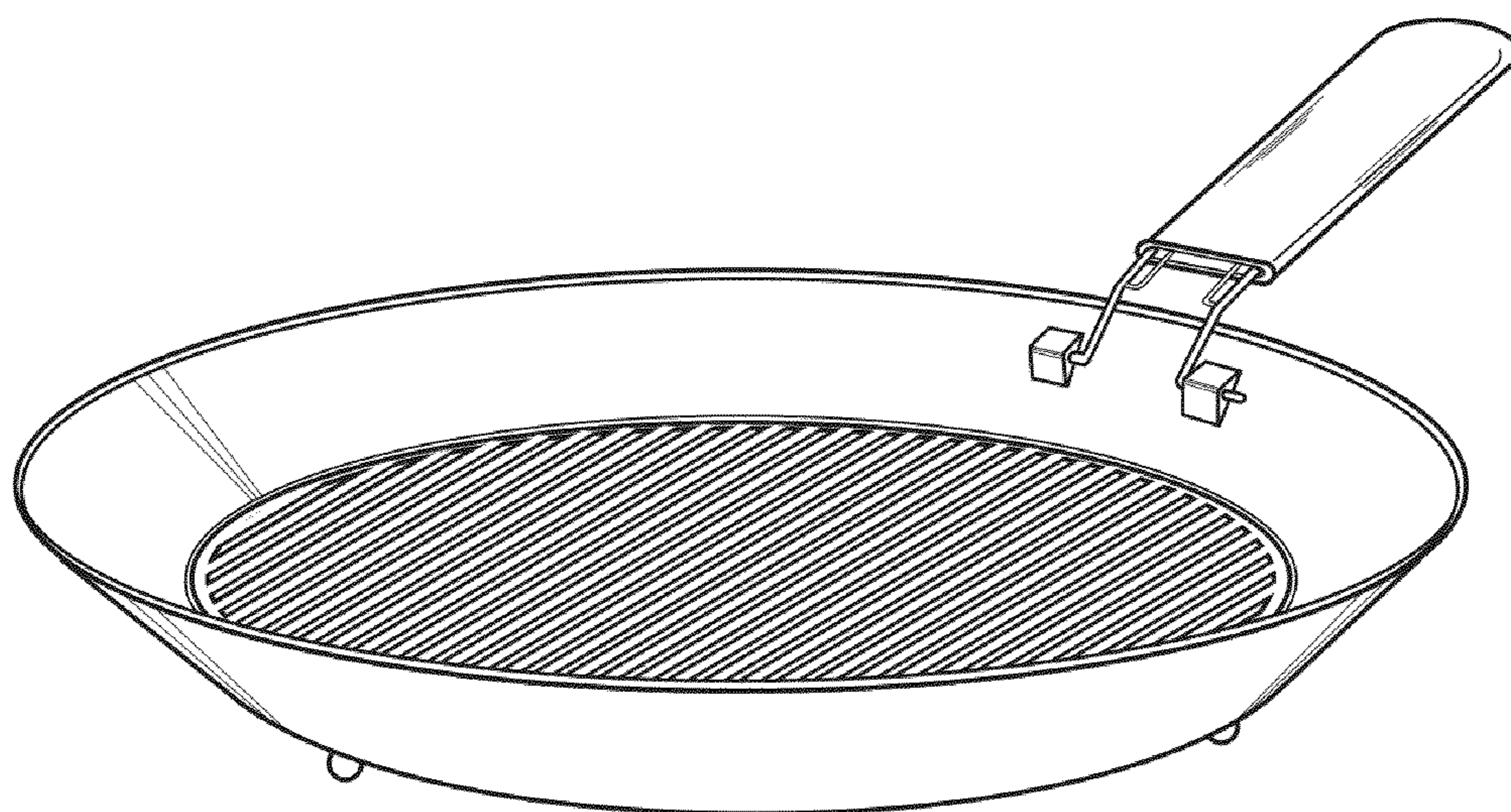
FIG. 19 is a cross sectional view taken in the direction of line 19-19 in FIG. 17 showing a second and fourth embodiment of the present invention having circular spokes;

FIG. 20 is a view identical to FIG. 1 with descriptive legend directional arrows included which are necessary for better understanding of the drawing in accordance with 37 CFR

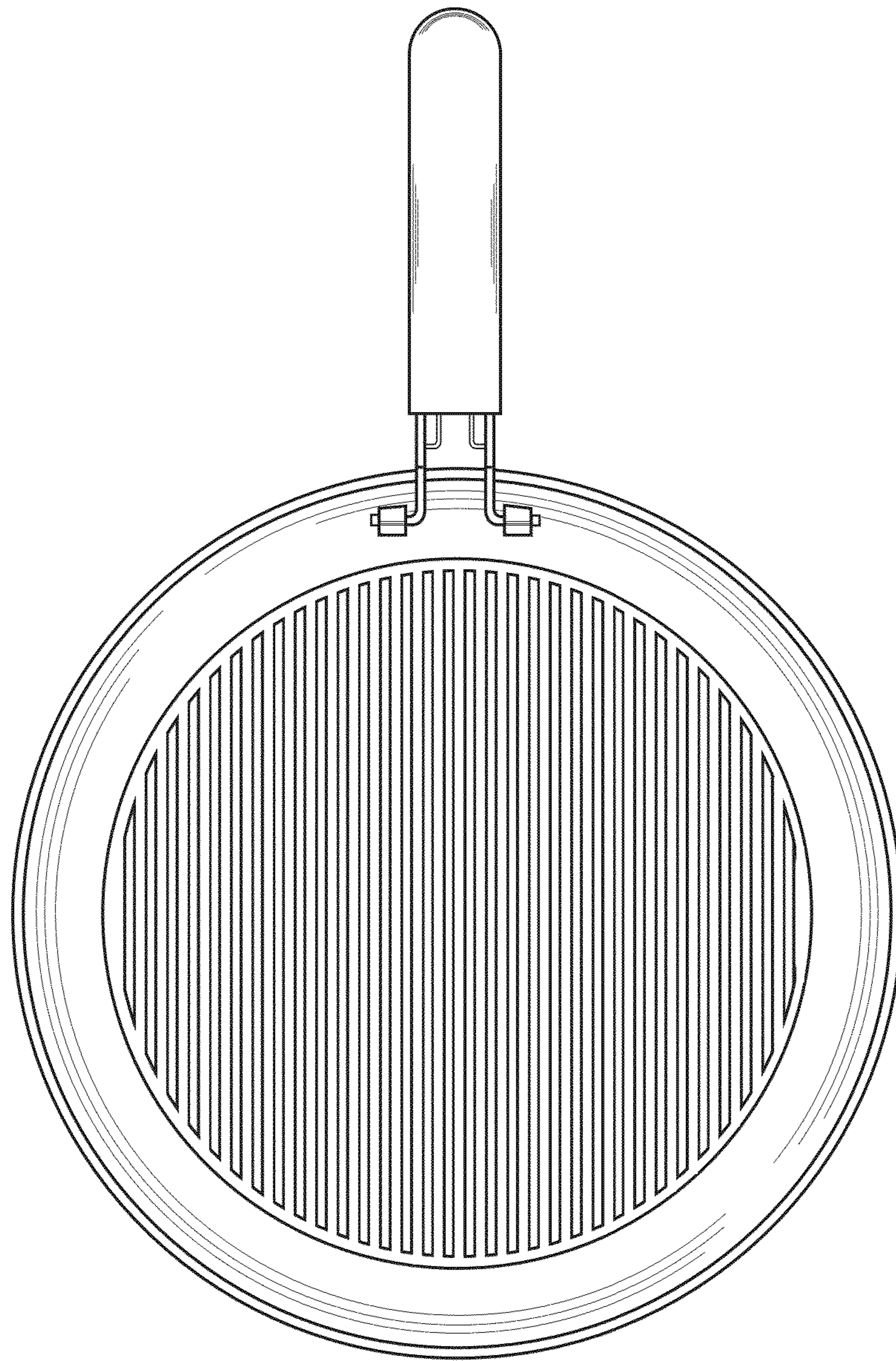
1084(o) and appropriate with good engineering practices, so as to best indicate in what directions previous views are taken so that nothing regarding the design sought to be patented is ambiguous or left to conjecture; and,

FIG. 21 is a view identical to FIG. 9 with descriptive legend directional arrows included which are necessary for better understanding of the drawing in accordance with 37 CFR 1084(o) and appropriate with good engineering practices, so as to best indicate in what directions previous views are taken so that nothing regarding the design sought to be patented is ambiguous or left to conjecture.

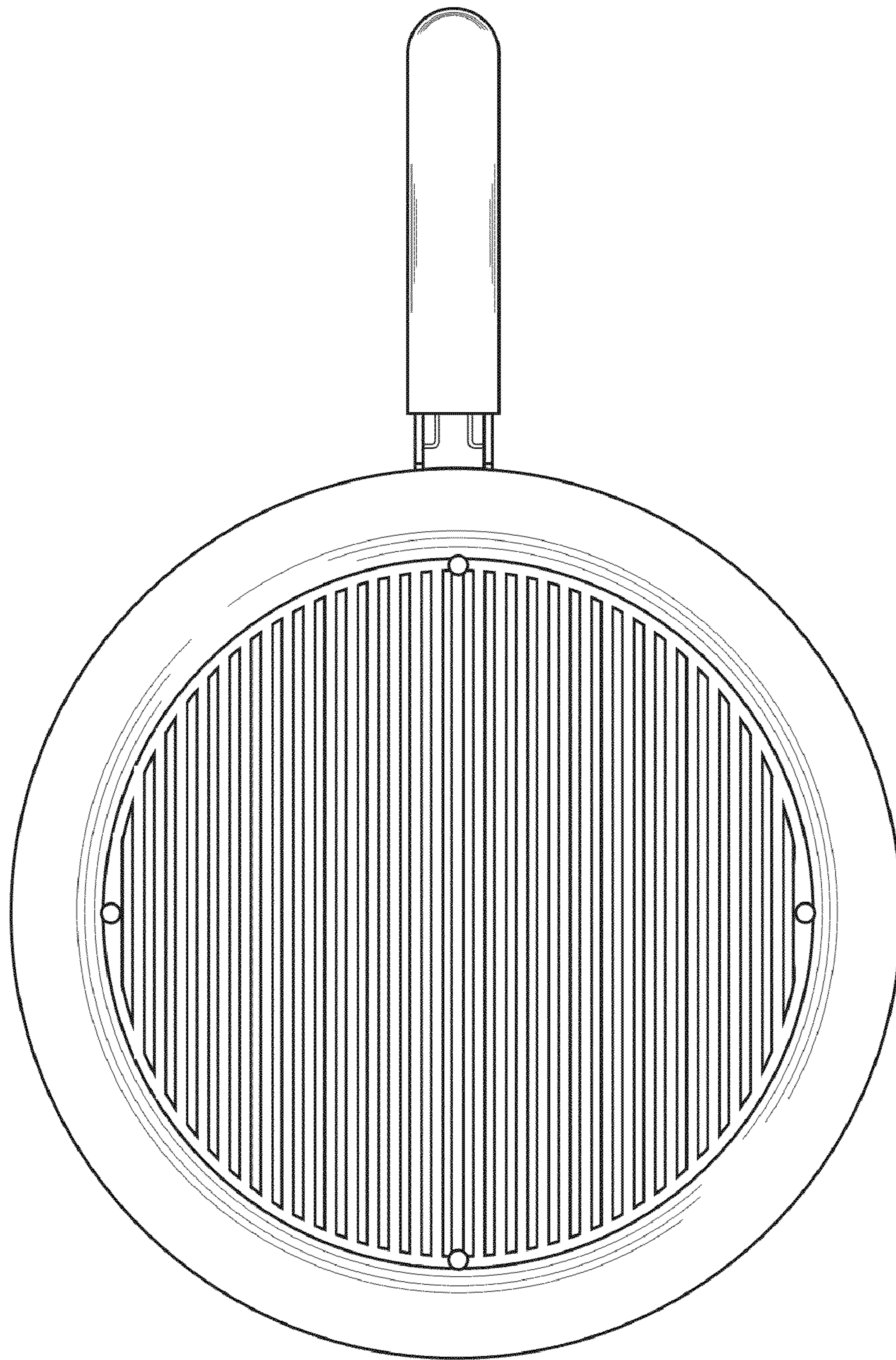
**1 Claim, 17 Drawing Sheets**



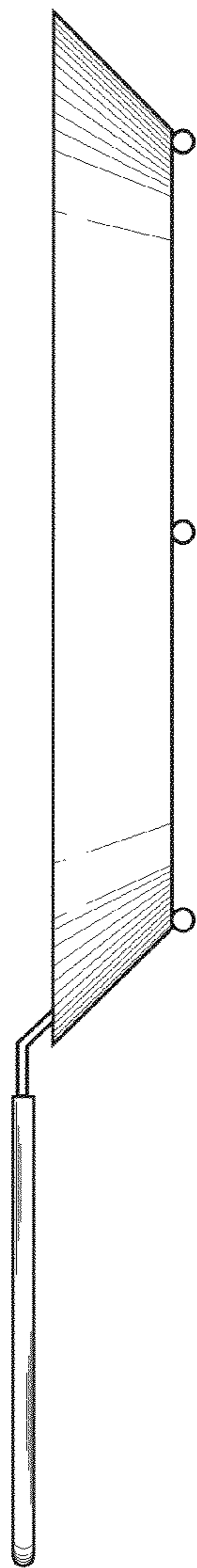
**FIG. 1**



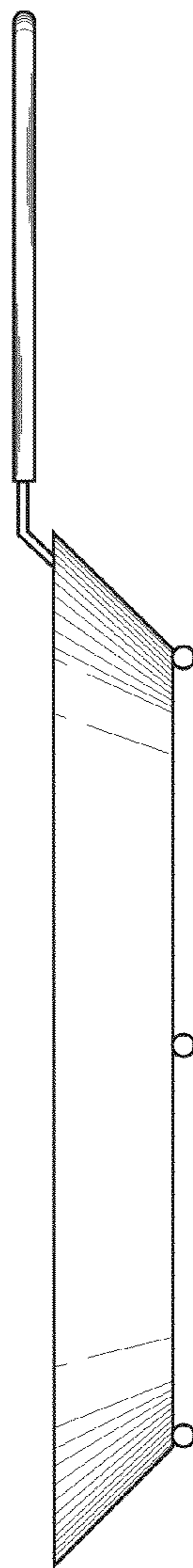
**FIG. 2**



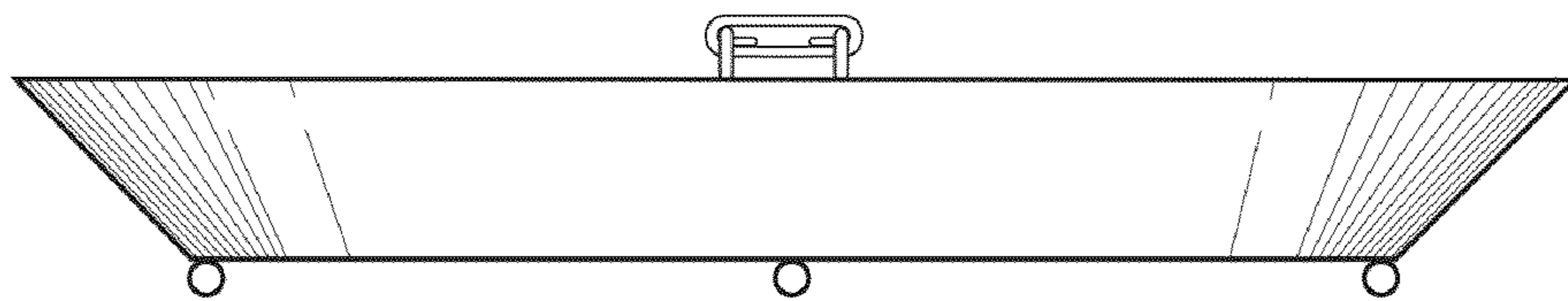
**FIG. 3**



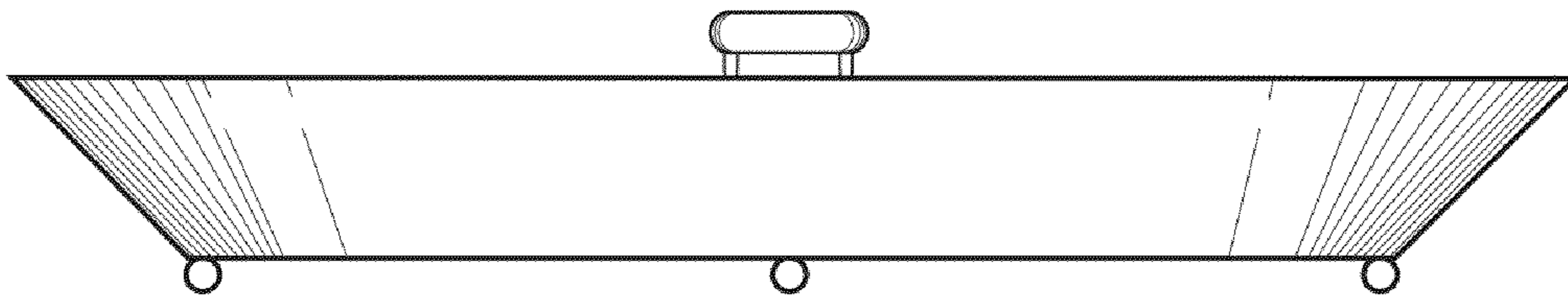
**FIG. 4**



**FIG. 5**

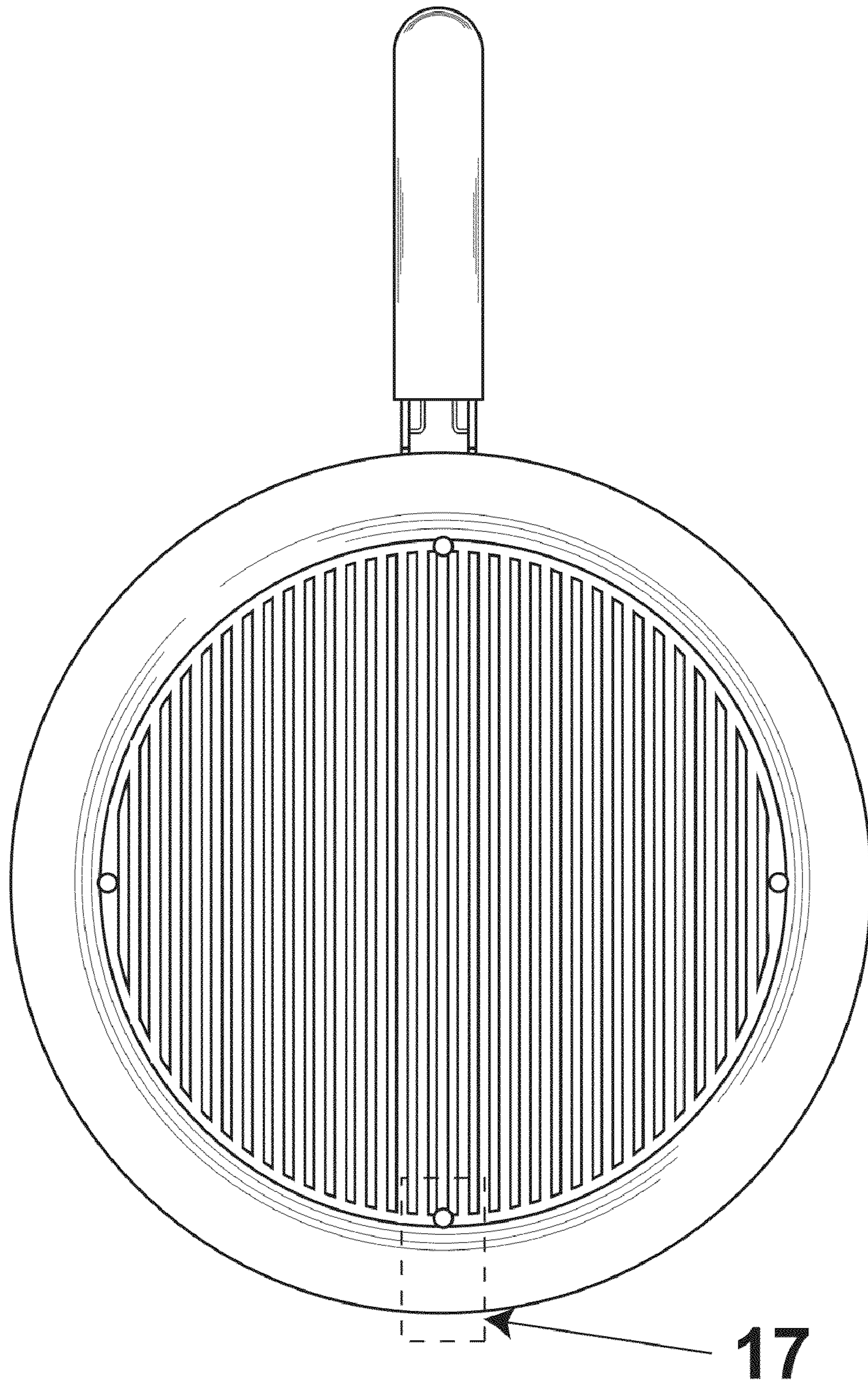


**FIG. 6**

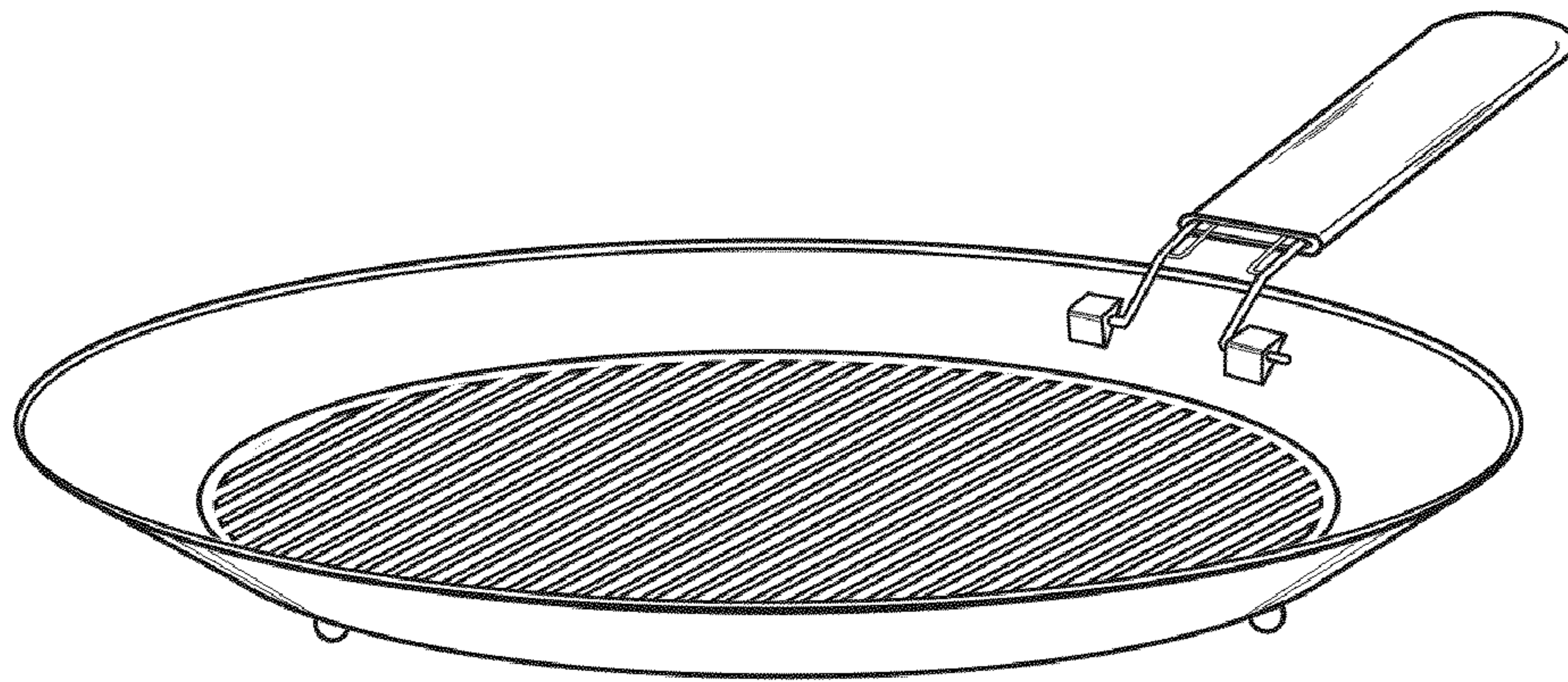


**FIG. 7**

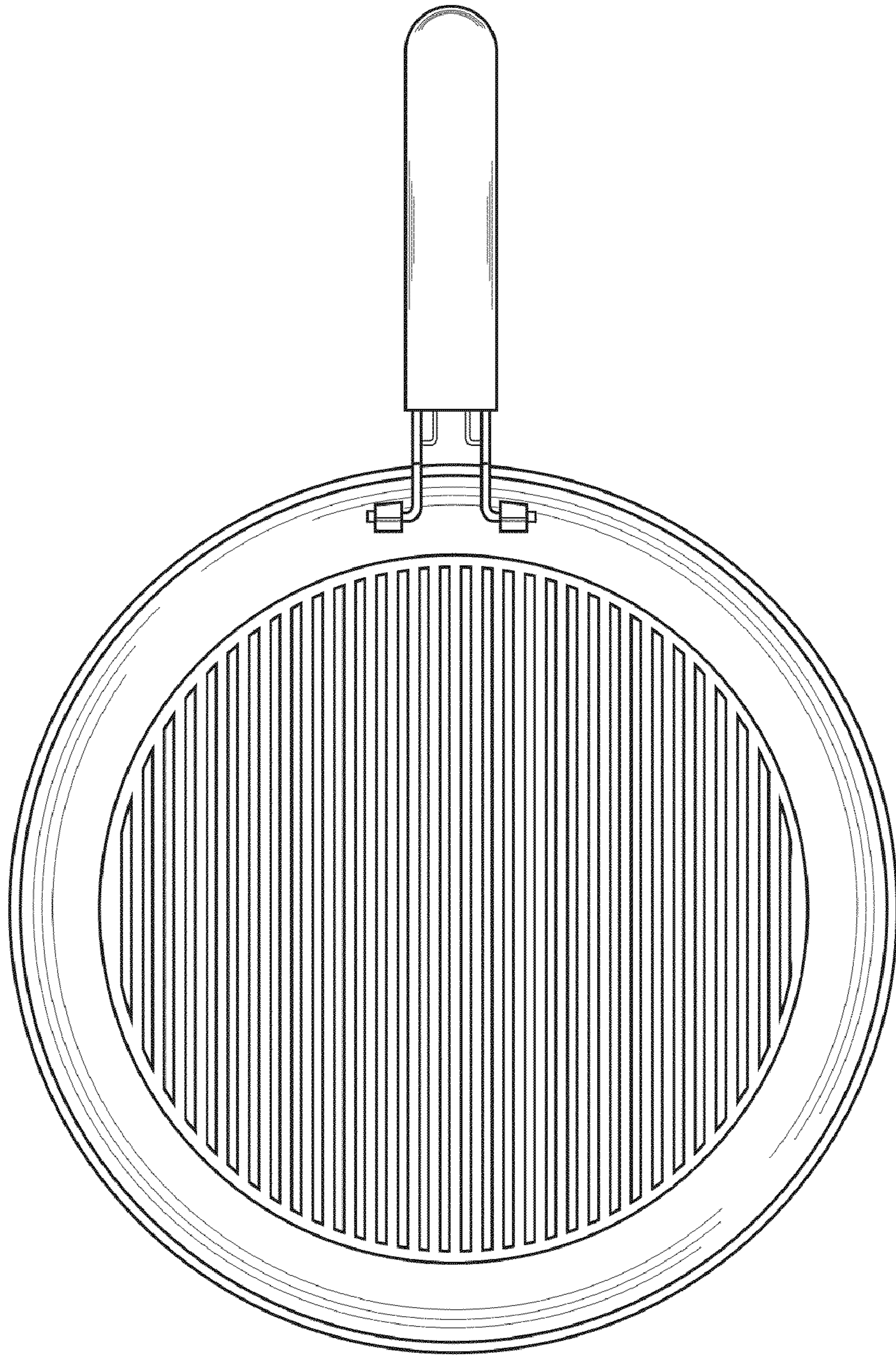




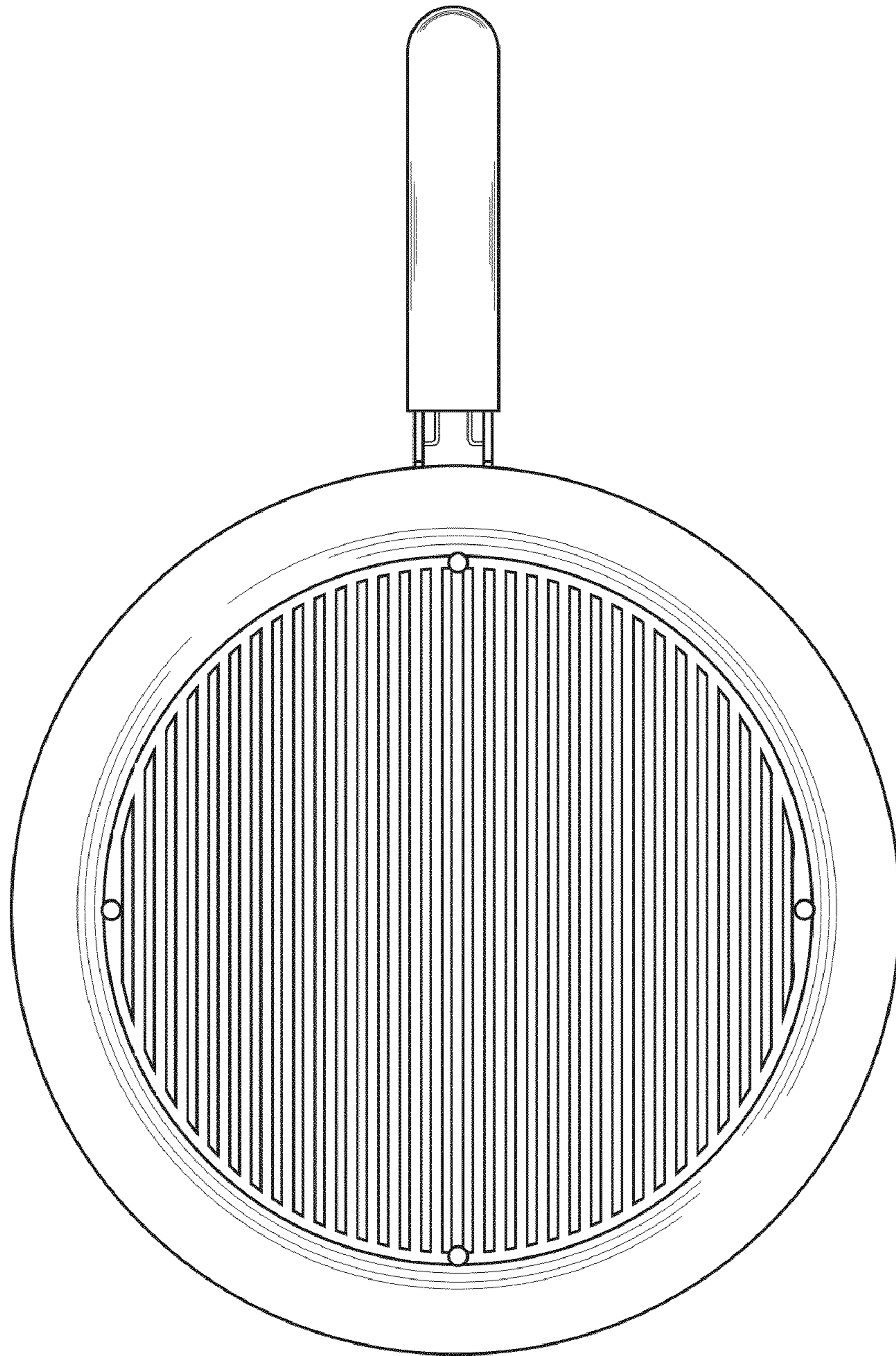
**FIG. 8**



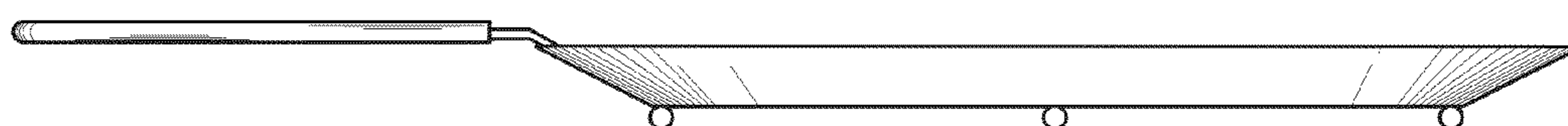
**FIG. 9**



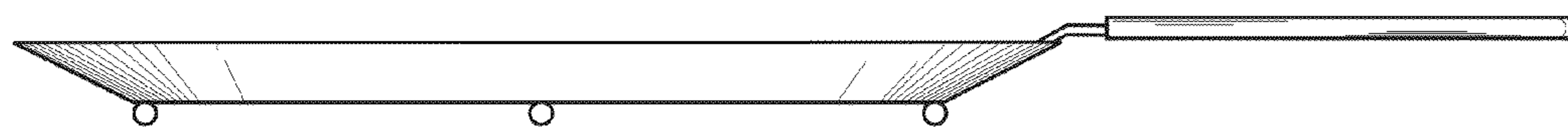
**FIG. 10**



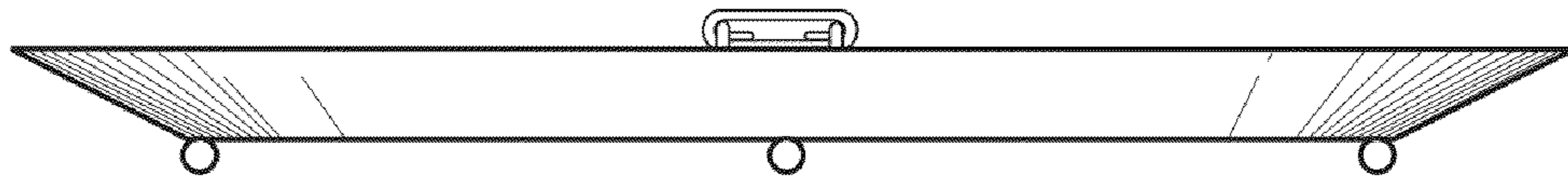
**FIG. 11**



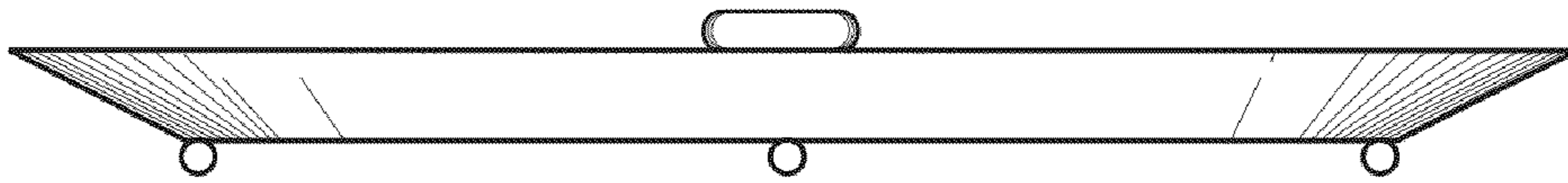
**FIG. 12**



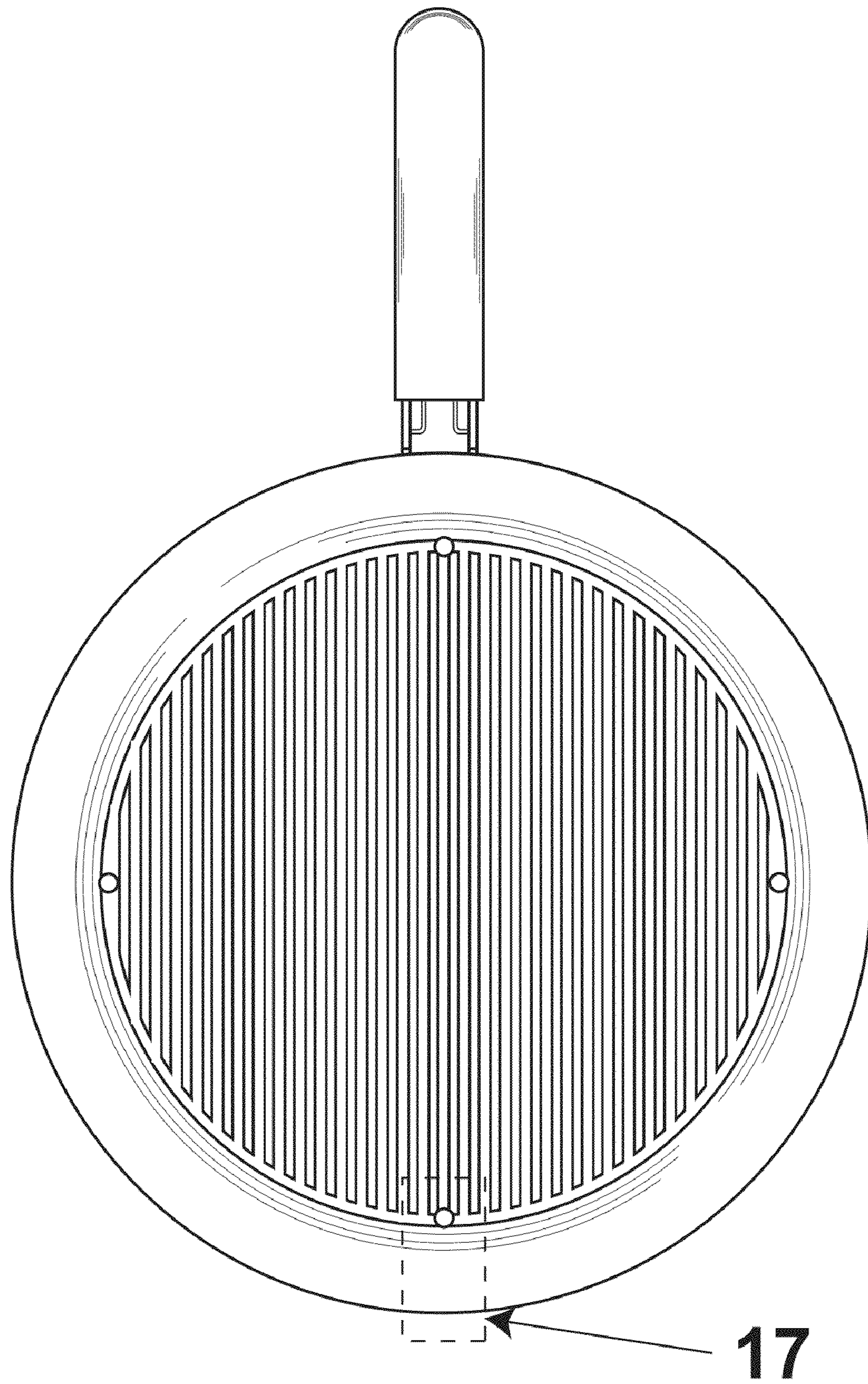
**FIG. 13**



**FIG. 14**

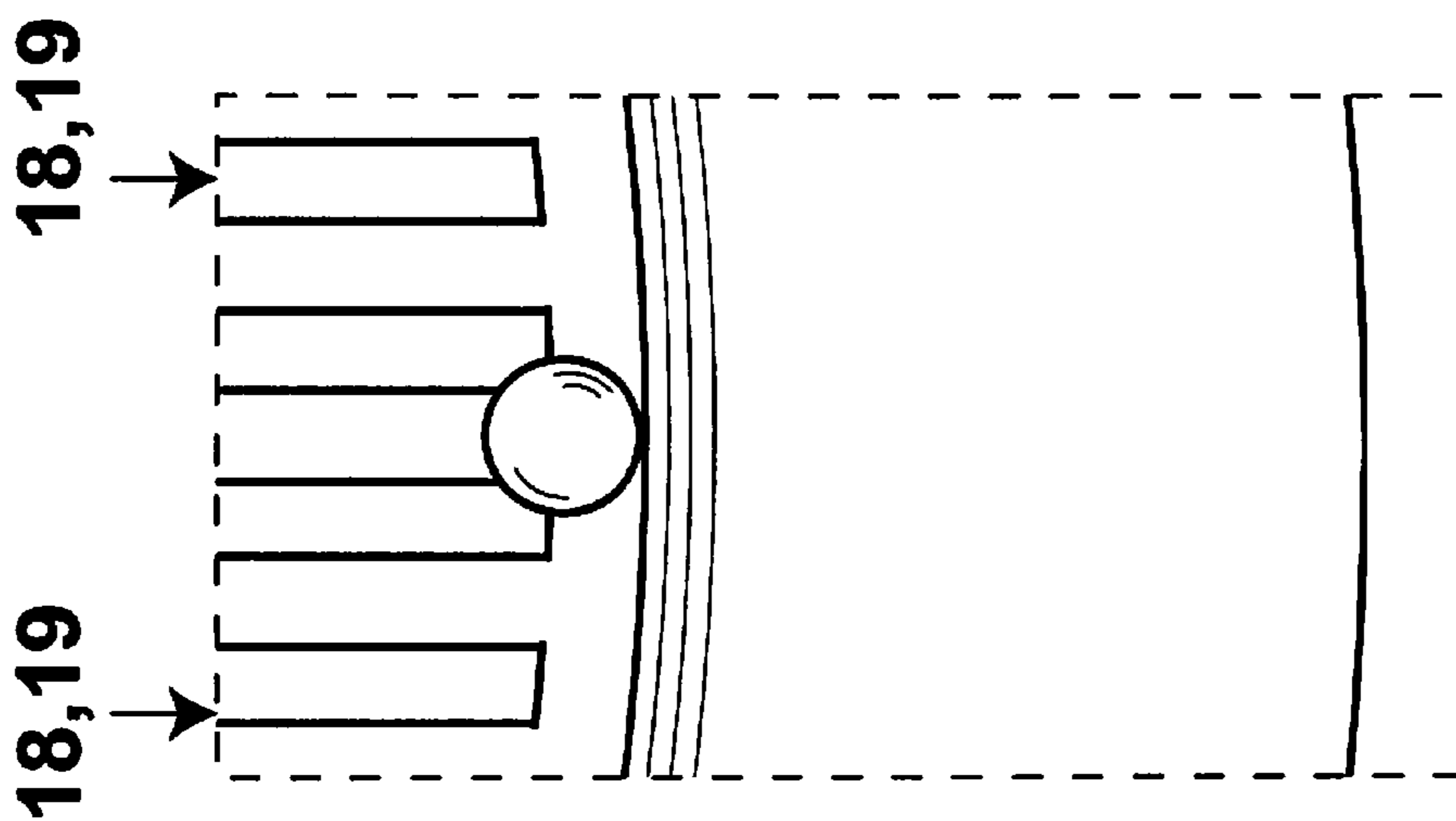


**FIG. 15**

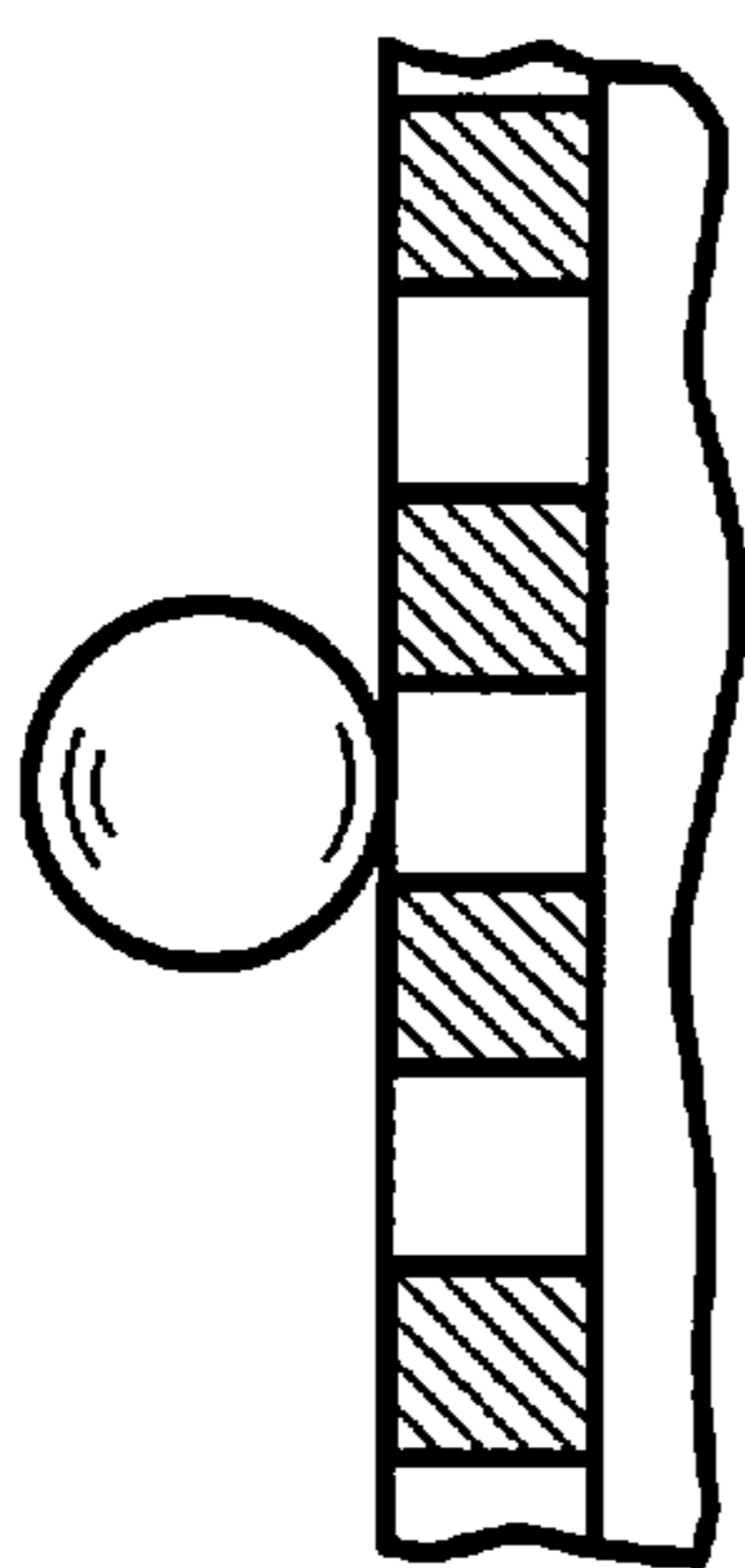


**FIG. 16**

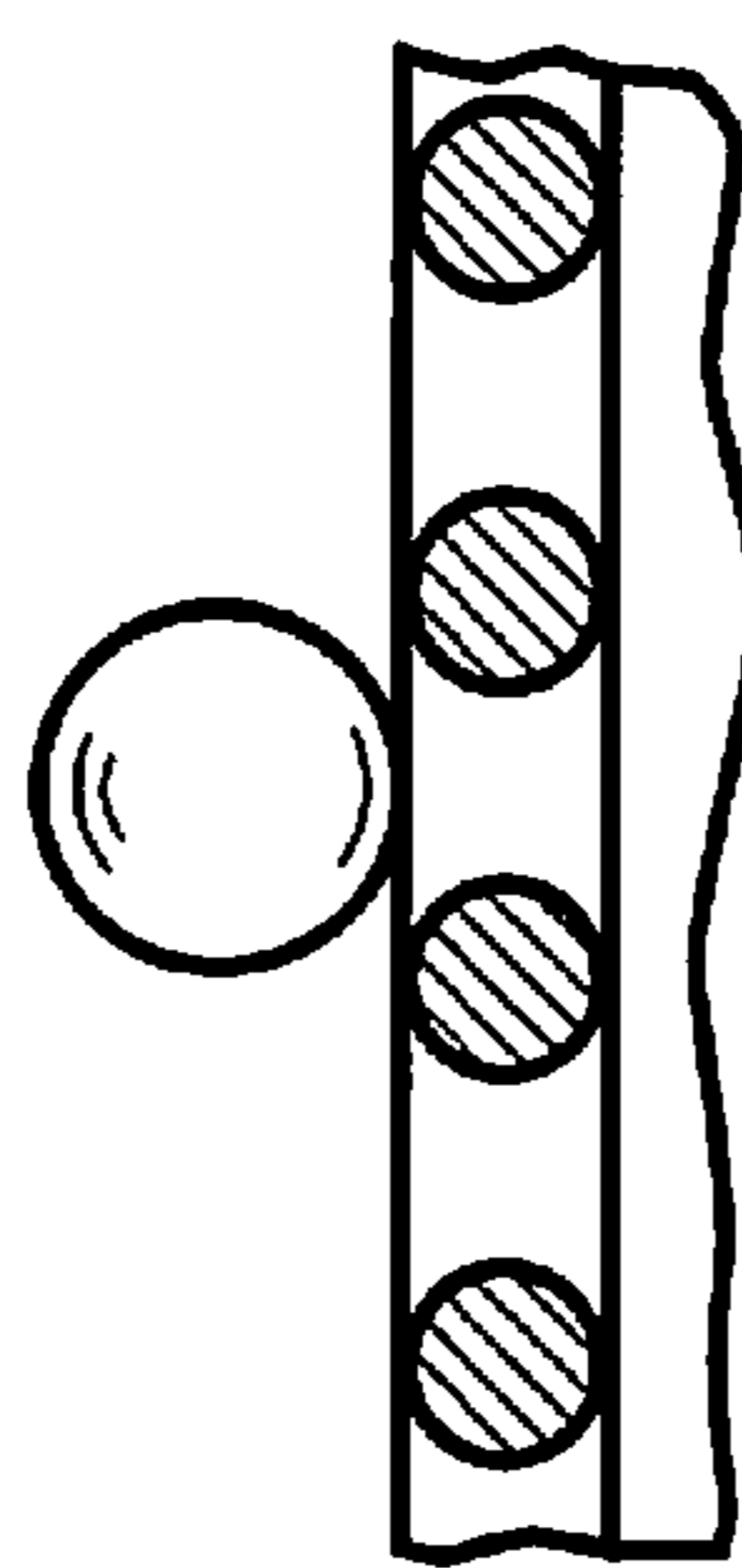




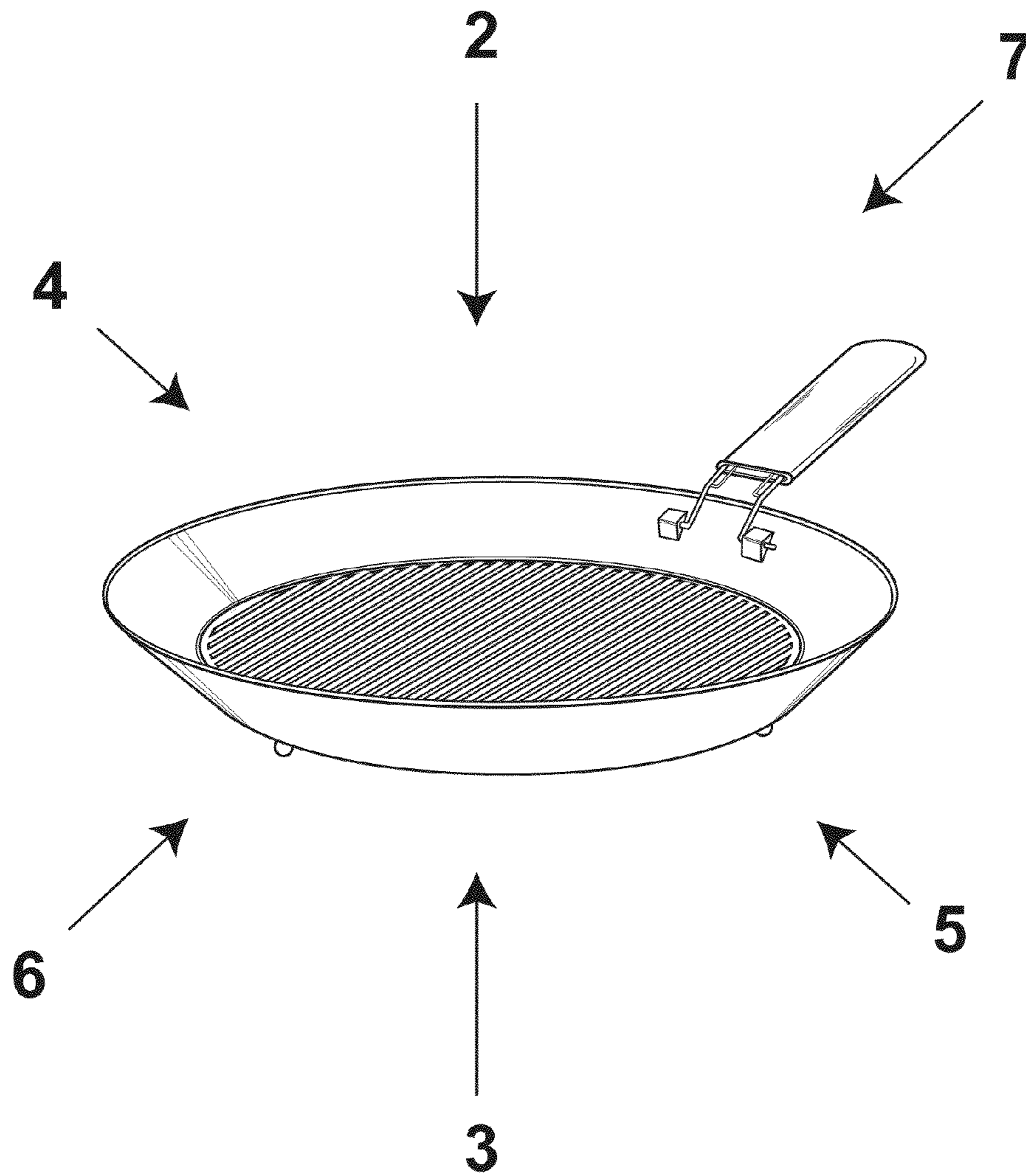
**FIG.17**



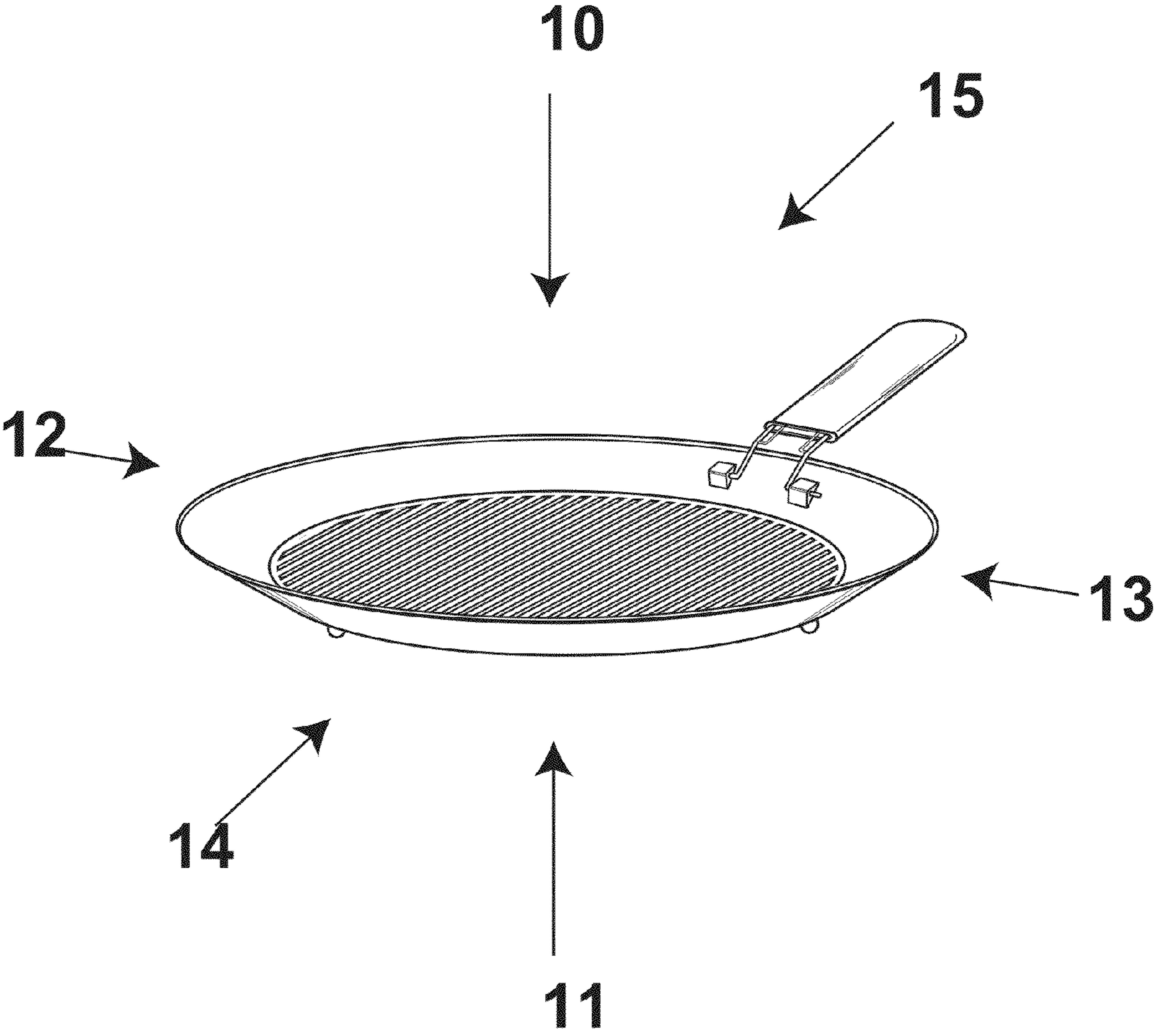
**FIG.18**



**FIG.19**



**FIG. 20**



**FIG. 21**