



US00D676702S

(12) **United States Design Patent**
Chung

(10) **Patent No.:** **US D676,702 S**

(45) **Date of Patent:** **** Feb. 26, 2013**

(54) **BARBECUE GRILL**

(76) Inventor: **Kiosky Chung**, Taichung (TW)

(**) Term: **14 Years**

(21) Appl. No.: **29/406,362**

(22) Filed: **Nov. 12, 2011**

(51) **LOC (9) Cl.** **07-02**

(52) **U.S. Cl.** **D7/337**

(58) **Field of Classification Search** D7/332,
D7/334, 337, 402-404, 408-409, 354-355,
D7/359; 126/27, 44, 25 R, 41 R, 9 R, 40,
126/50, 38, 39 H, 39 N, 39 K, 39 M; 99/425,
99/444-447, 450, 482

See application file for complete search history.

(56) **References Cited**

U.S. PATENT DOCUMENTS

D415,649 S *	10/1999	Pai	D7/337
6,941,942 B2 *	9/2005	Eisinger et al.	126/25 R
D514,872 S *	2/2006	Chung	D7/337
D549,037 S *	8/2007	Chung	D7/337

D610,862 S *	3/2010	Chung	D7/337
D630,464 S *	1/2011	Chung	D7/337
D630,465 S *	1/2011	Chung	D7/337
D653,494 S *	2/2012	Chung	D7/334
D653,899 S *	2/2012	Chung	D7/337

* cited by examiner

Primary Examiner — Ruth McNroy

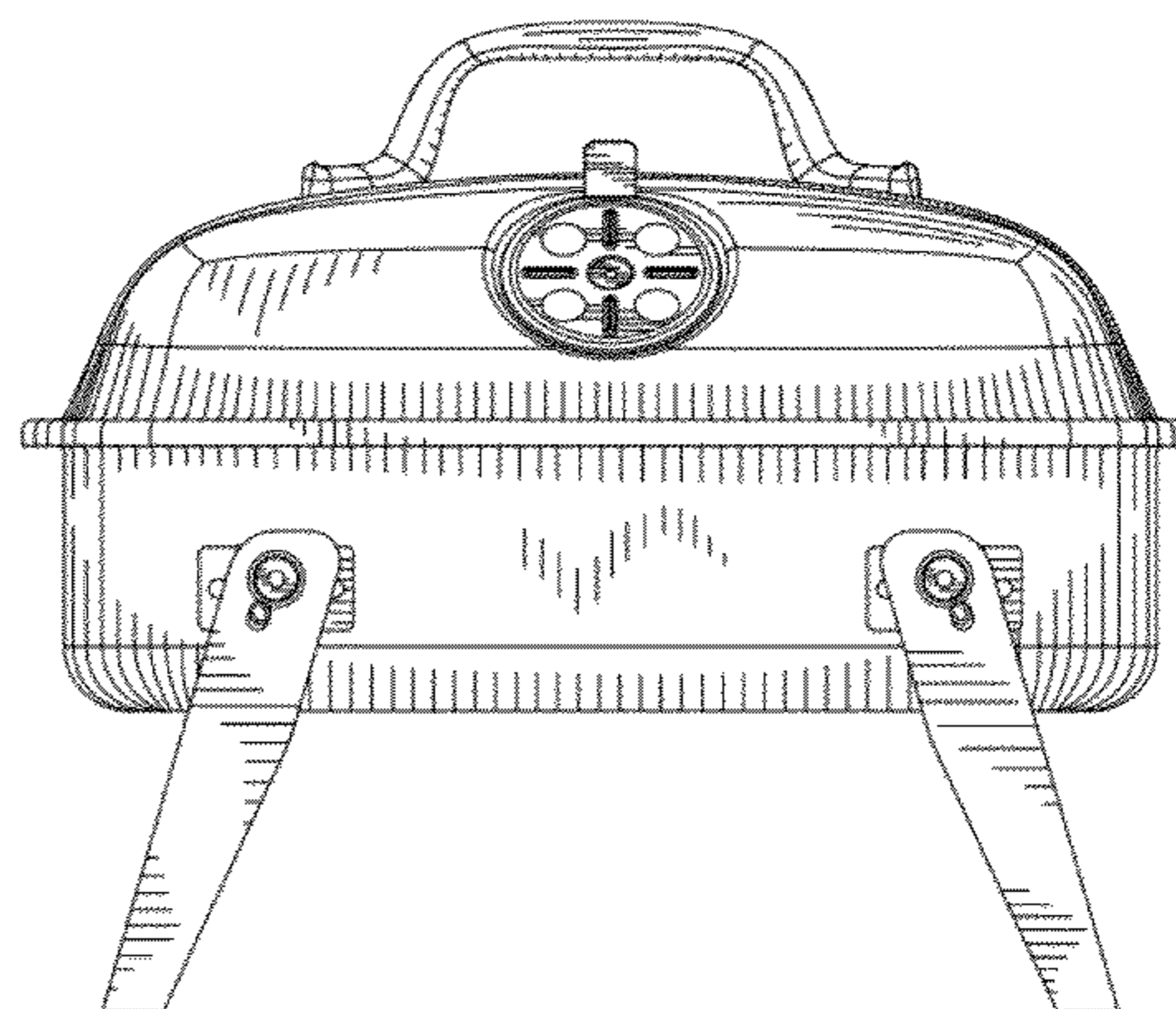
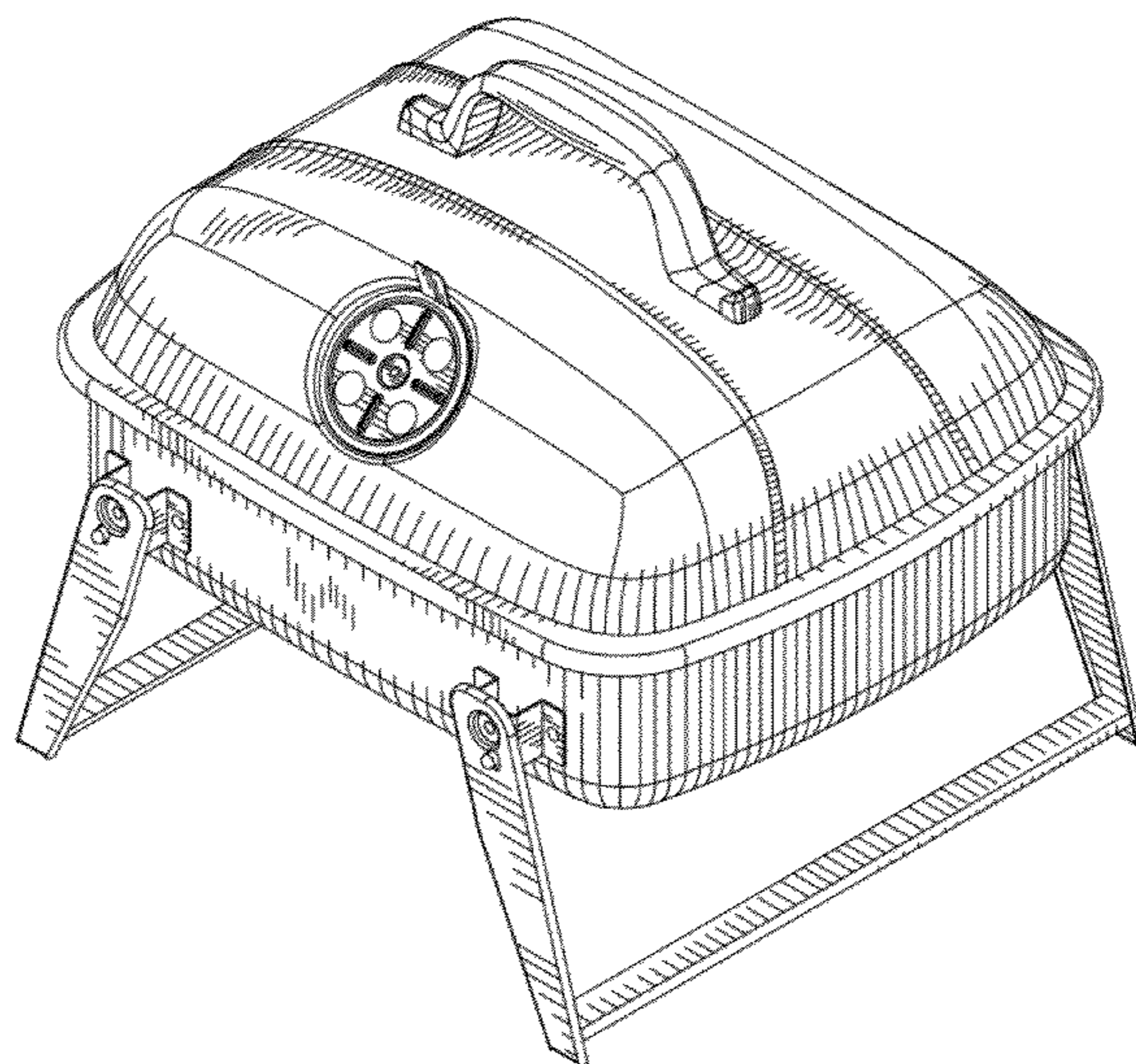
(57) **CLAIM**

I claim the ornamental design for a barbecue grill, as shown and described.

DESCRIPTION

FIG. 1 is a perspective view of a barbecue grill, showing my new design;
FIG. 2 is a front elevational view thereof;
FIG. 3 is a rear elevational view thereof;
FIG. 4 is a left side elevational view thereof;
FIG. 5 is a right side elevational view thereof;
FIG. 6 is a top plan view thereof; and,
FIG. 7 is a bottom plan view thereof.

1 Claim, 7 Drawing Sheets



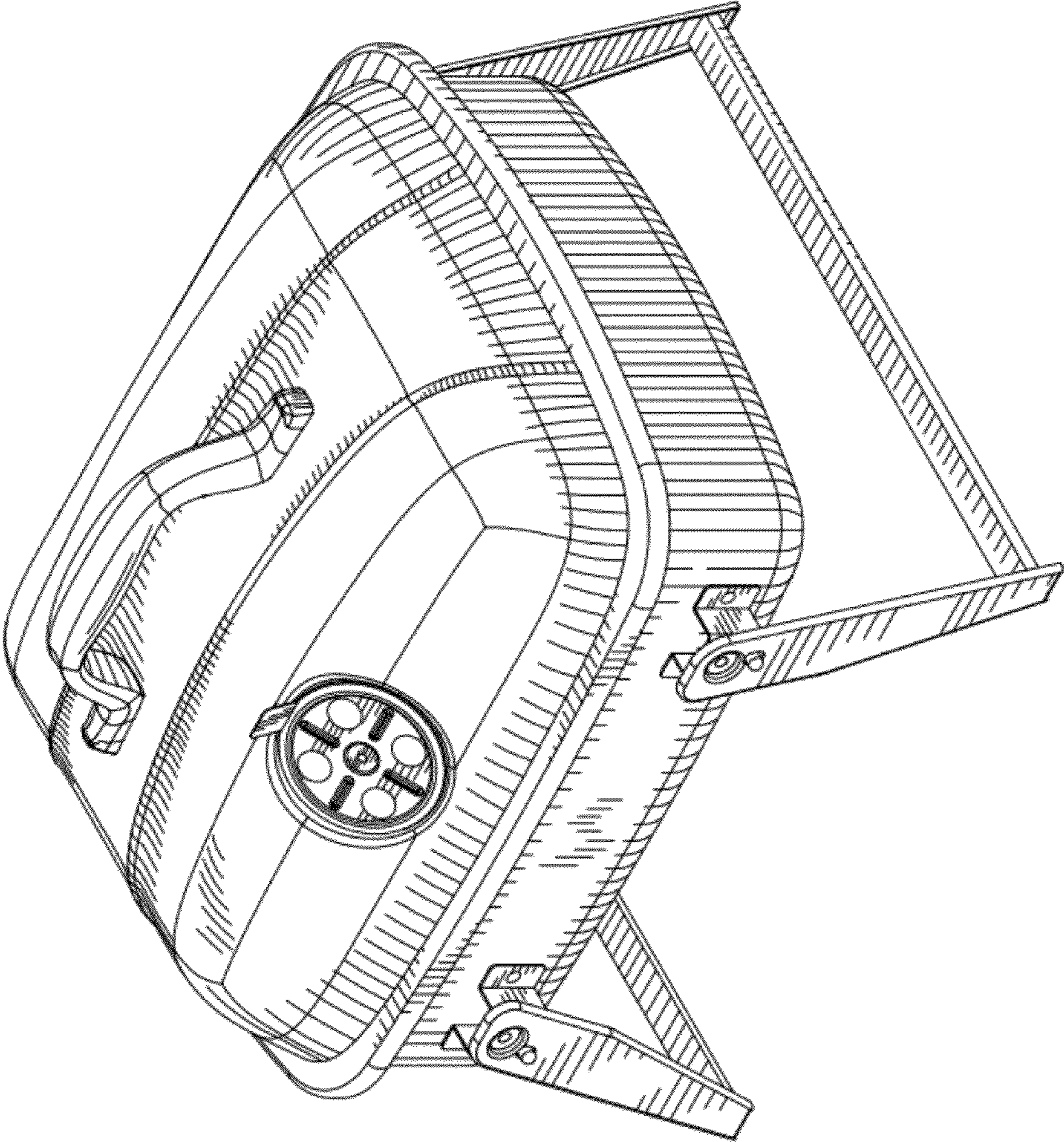


FIG. 1

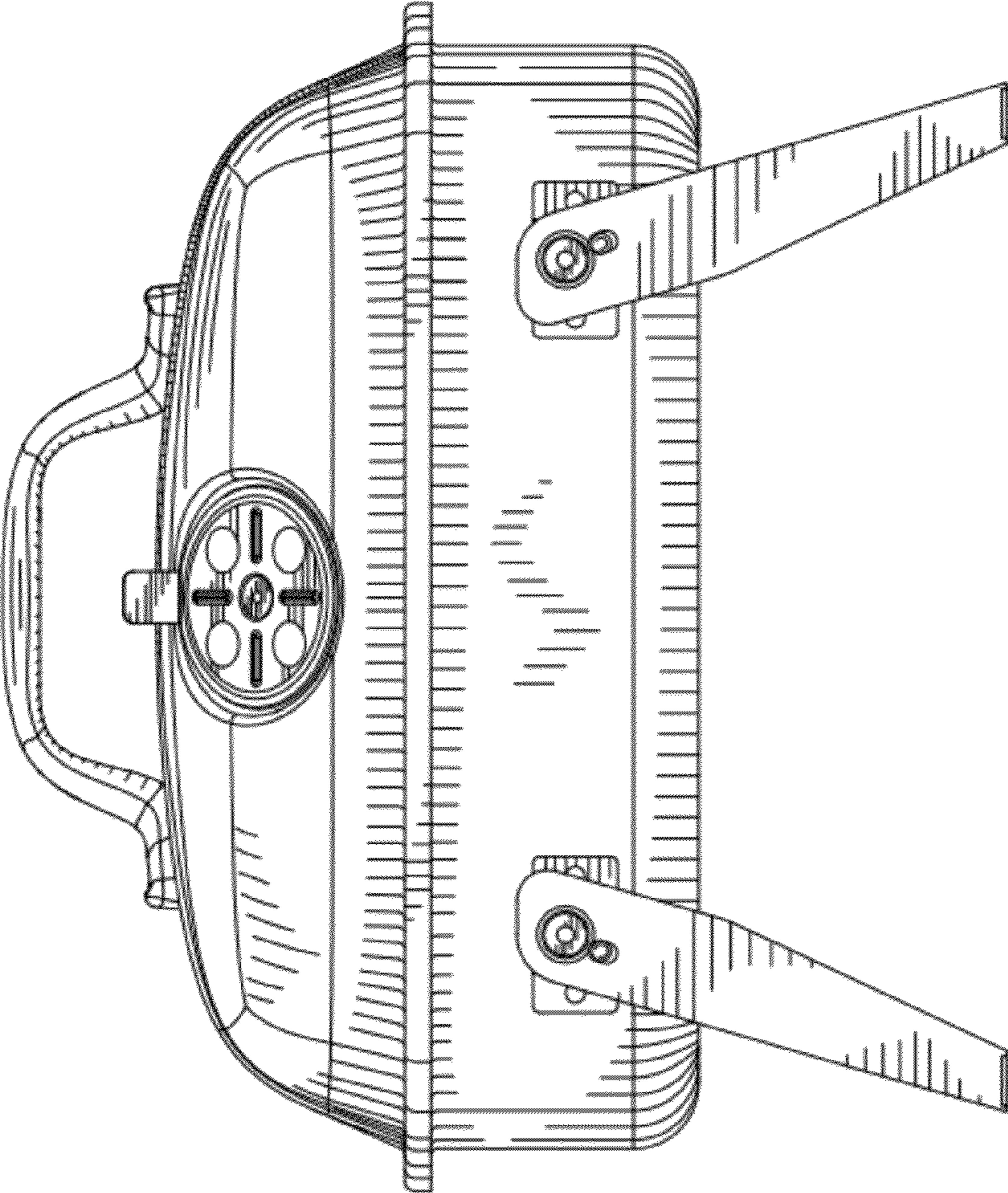


FIG. 2

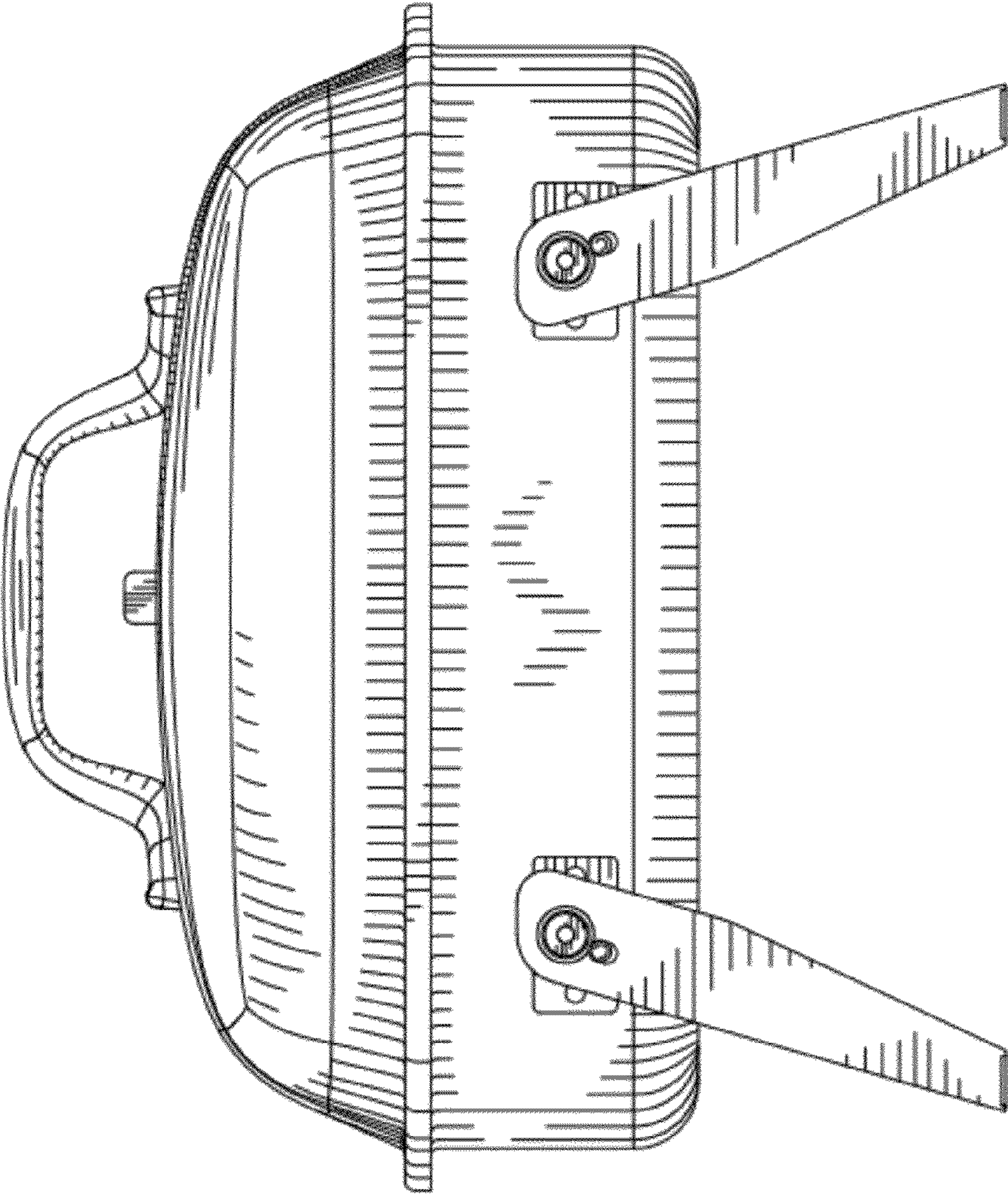


FIG. 3

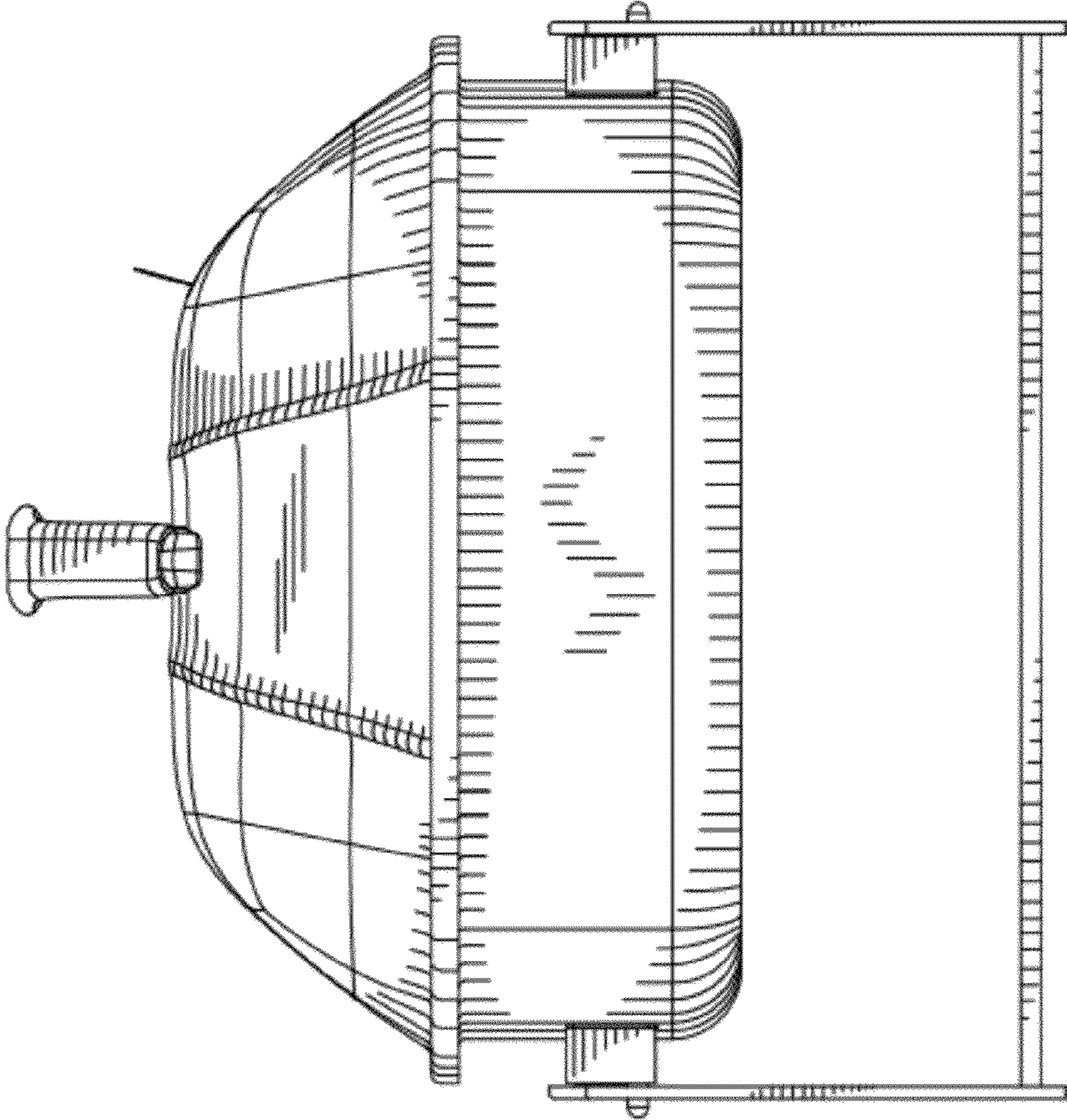


FIG. 4

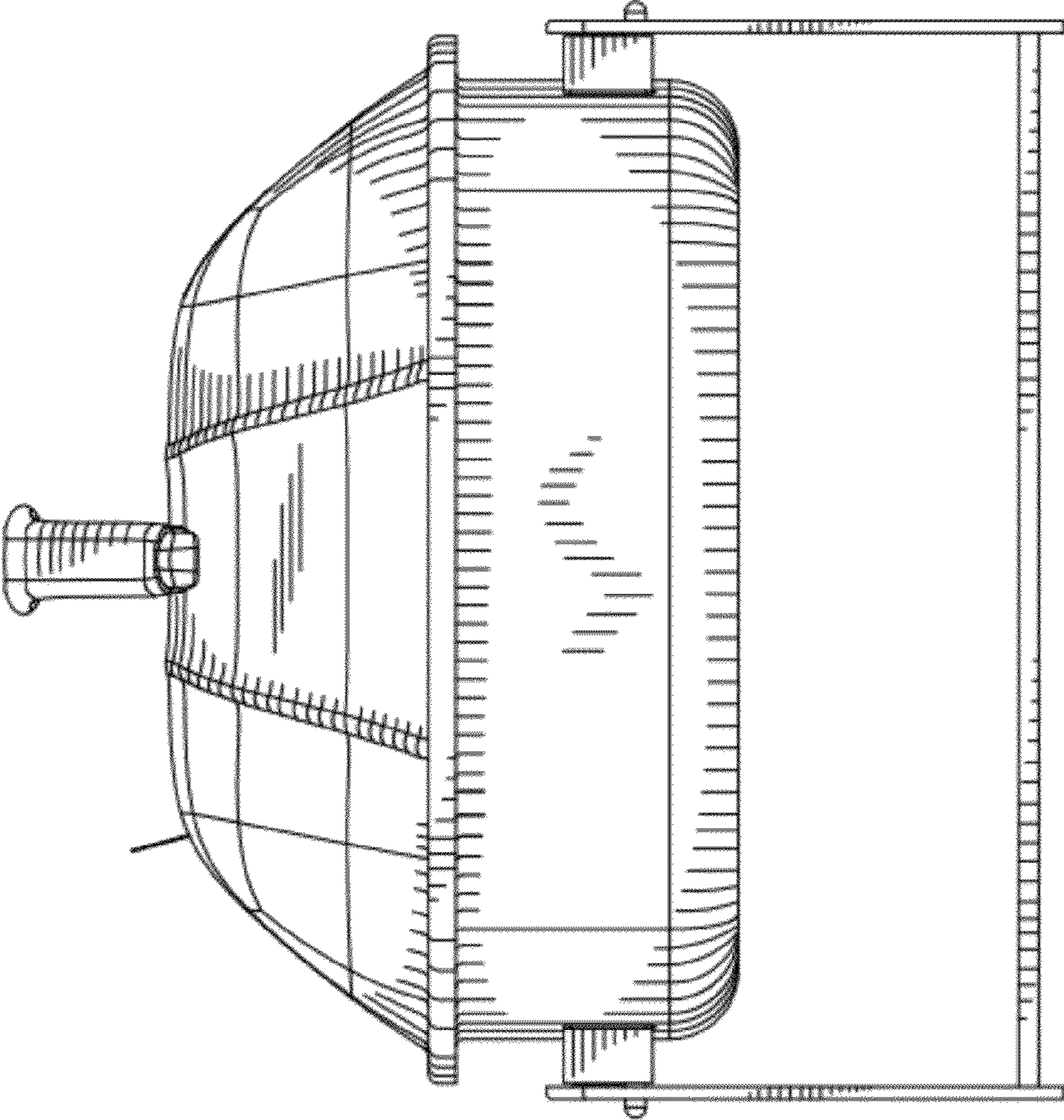


FIG. 5

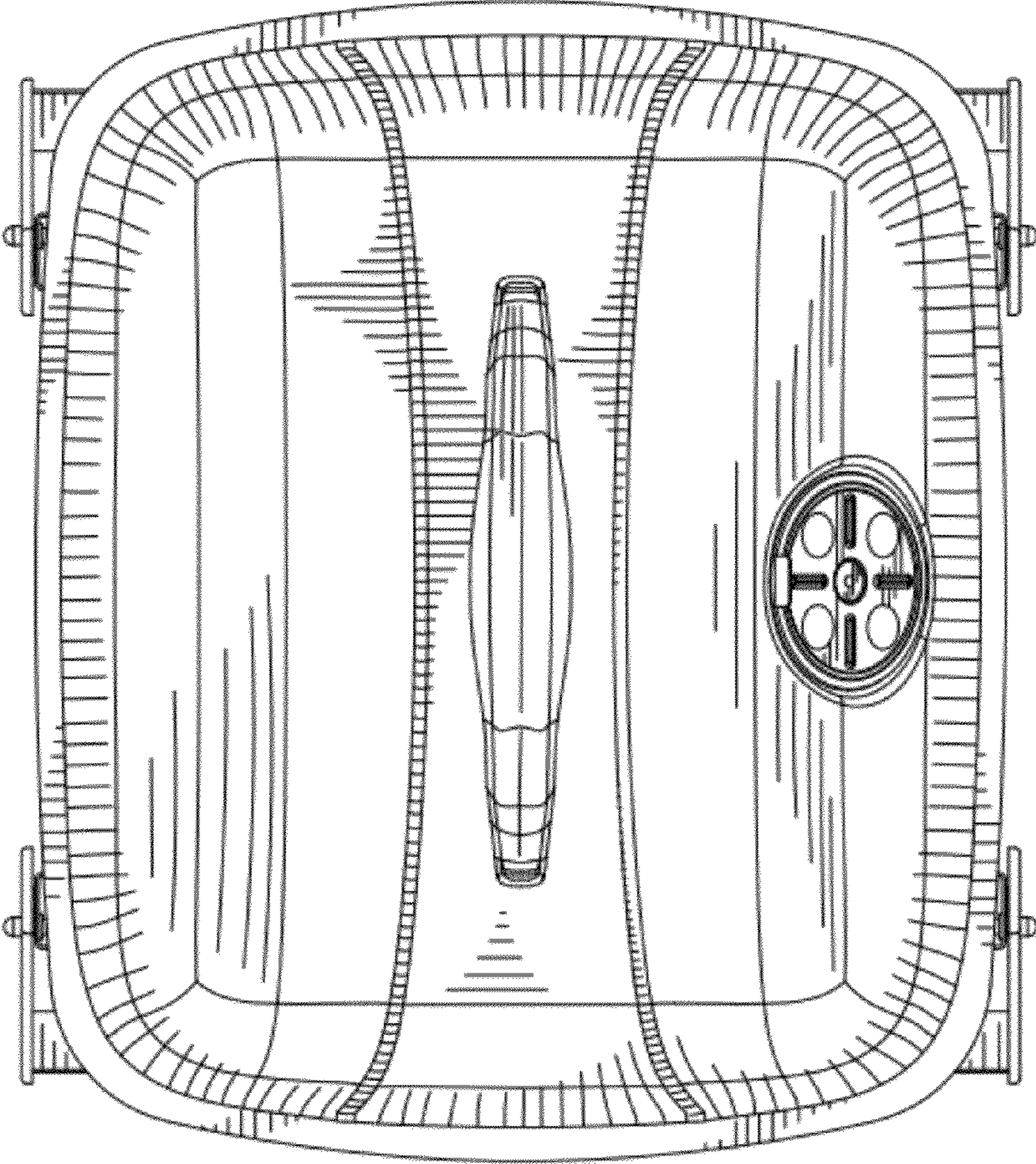


FIG. 6

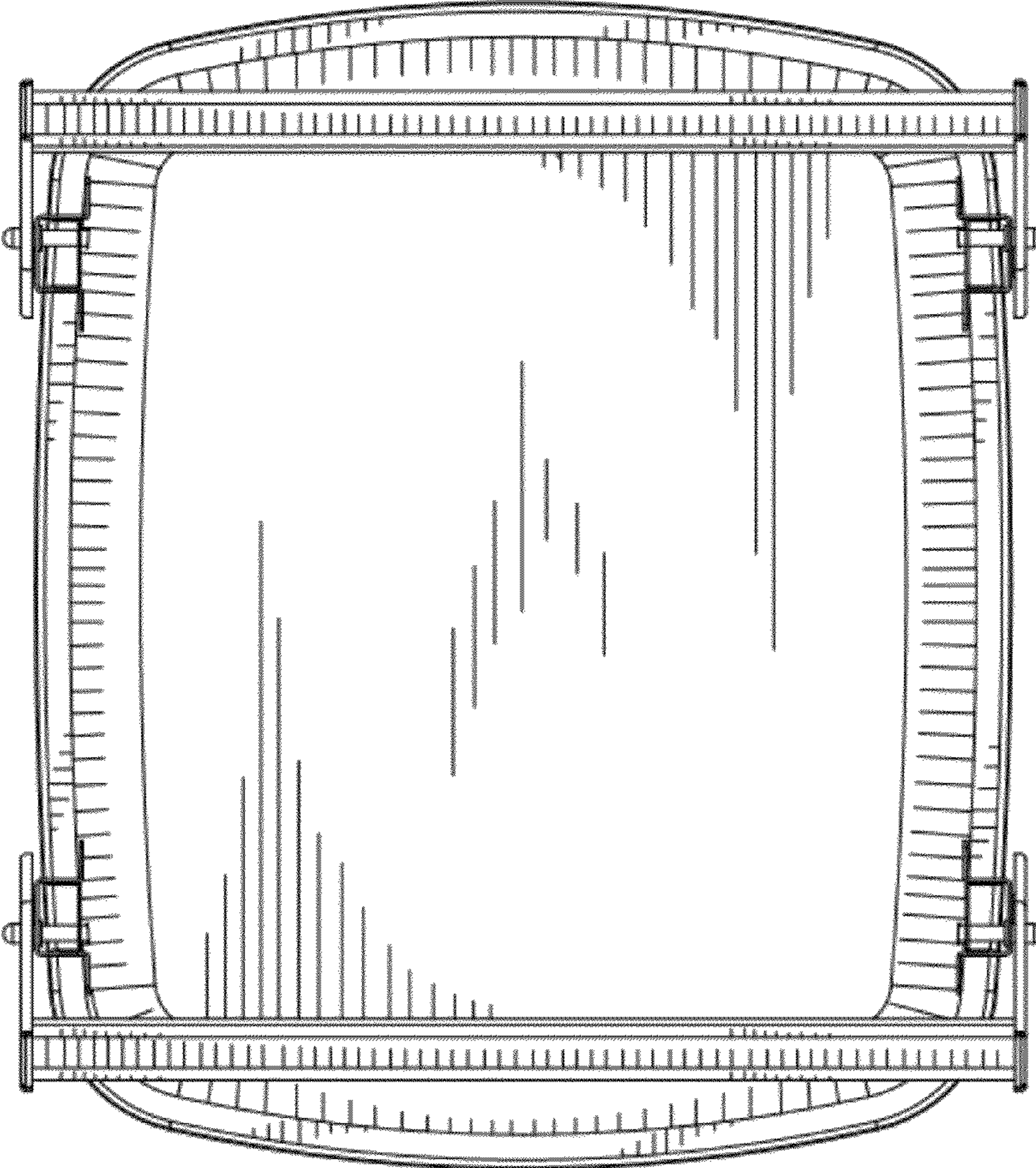


FIG. 7