



US00D676690S

(12) **United States Design Patent**
Pheasant

(10) **Patent No.:** **US D676,690 S**
(45) **Date of Patent:** **** Feb. 26, 2013**

(54) **CHAIR BACK**

- (75) Inventor: **Thomas Pheasant**, Washington, DC (US)
- (73) Assignee: **Baker, Knapp & Tubbs, Inc.**, Hickory, NC (US)
- (**) Term: **14 Years**
- (21) Appl. No.: **29/337,102**
- (22) Filed: **May 14, 2009**
- (51) **LOC (9) Cl.** **06-01**
- (52) **U.S. Cl.** **D6/502**
- (58) **Field of Classification Search** D6/334-335, D6/349, 374, 377, 379-380, 500-502; 297/183.7, 297/338, 445.1, 446.1, 452.29
See application file for complete search history.

(56) **References Cited**

U.S. PATENT DOCUMENTS

| | | | |
|------------|-----------|------------------|--------|
| D78,304 S | 4/1929 | Mizner | |
| D193,708 S | * 10/1962 | Keown | D6/375 |
| D259,601 S | 6/1981 | Marks | |
| D307,221 S | * 4/1990 | Mudge | D6/502 |
| D334,296 S | * 3/1993 | Hutton | D6/374 |
| D346,910 S | 5/1994 | Caldwell | |
| D355,985 S | * 3/1995 | Karten et al. | D6/374 |
| D412,408 S | 8/1999 | Navone | |
| D421,851 S | 3/2000 | Tihany | |
| D427,795 S | 7/2000 | Tihany | |
| D450,944 S | 11/2001 | Shepard et al. | |
| D464,208 S | * 10/2002 | Kwon | D6/373 |
| D489,193 S | * 5/2004 | Muller | D6/380 |
| D498,069 S | * 11/2004 | Kreiss | D6/369 |
| D515,325 S | * 2/2006 | Goldman | D6/375 |
| D547,957 S | * 8/2007 | Muller | D6/360 |
| D555,381 S | * 11/2007 | Swanson | D6/380 |
| D572,928 S | * 7/2008 | Rittfeldt et al. | D6/375 |
| D574,161 S | * 8/2008 | Sneujink et al. | D6/379 |
| D575,541 S | * 8/2008 | Hayes | D6/374 |
| D577,231 S | * 9/2008 | Kaczmarek | D6/502 |
| D582,692 S | * 12/2008 | Kerr | D6/375 |
| D609,489 S | * 2/2010 | Adams et al. | D6/375 |
| D646,096 S | * 10/2011 | Langbord et al. | D6/502 |
| D646,510 S | * 10/2011 | Gasser | D6/500 |
| D647,337 S | * 10/2011 | Gasser | D6/502 |

OTHER PUBLICATIONS

“Chamane Chair,” *Christian Liaigre at Holly Hunt, Holly Hunt Collection*, 2 pages (Feb. 22, 2000).
“Marketplace,” *Traditional Home*, p. 44 (May 2008).

* cited by examiner

Primary Examiner — Kelley Donnelly

(74) *Attorney, Agent, or Firm* — Merchant & Gould PC

(57) **CLAIM**

The ornamental design for a chair back, as shown and described.

DESCRIPTION

FIG. 1 is a front perspective view of a first embodiment of a chair back showing my new design;
 FIG. 2 is a rear perspective view thereof;
 FIG. 3 is a front elevational view thereof;
 FIG. 4 is a rear elevational view thereof;
 FIG. 5 is a right side elevational view thereof, a left side elevational view being a mirror image thereof;
 FIG. 6 is a top plan view thereof;
 FIG. 7 is a front perspective view of a second embodiment of a chair back showing my new design;
 FIG. 8 is a rear perspective view thereof;
 FIG. 9 is a front elevational view thereof;
 FIG. 10 is a rear elevational view thereof;
 FIG. 11 is a right side elevational view thereof, a left side elevational view being a mirror image thereof;
 FIG. 12 is a top plan view thereof;
 FIG. 13 is a front perspective view of a third embodiment of a chair back showing my new design;
 FIG. 14 is a rear perspective view thereof;
 FIG. 15 is a front elevational view thereof;
 FIG. 16 is a rear elevational view thereof;
 FIG. 17 is a right side elevational view thereof, a left side elevational view being a mirror image thereof;
 FIG. 18 is a top plan view thereof;
 FIG. 19 is a front perspective view of a fourth embodiment of a chair back showing my new design;
 FIG. 20 is a rear perspective view thereof;
 FIG. 21 is a front elevational view thereof;
 FIG. 22 is a rear elevational view thereof;
 FIG. 23 is a right side elevational view thereof, a left side elevational view being a mirror image thereof; and,
 FIG. 24 is a top plan view thereof.
 The broken lines showing is included for the purpose of illustrating environment of the design and forms no part of the claimed design.

1 Claim, 24 Drawing Sheets

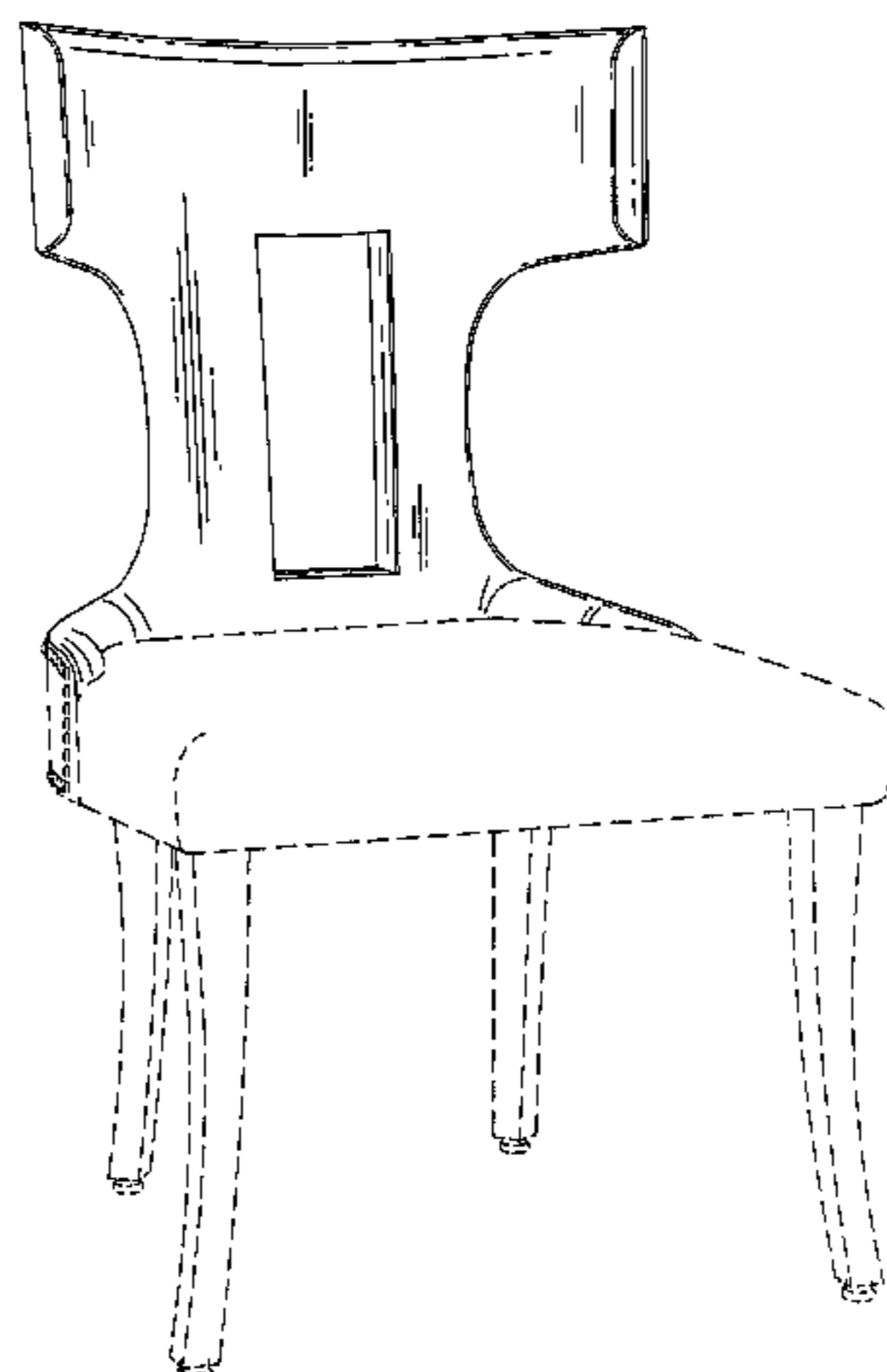


FIG. 1

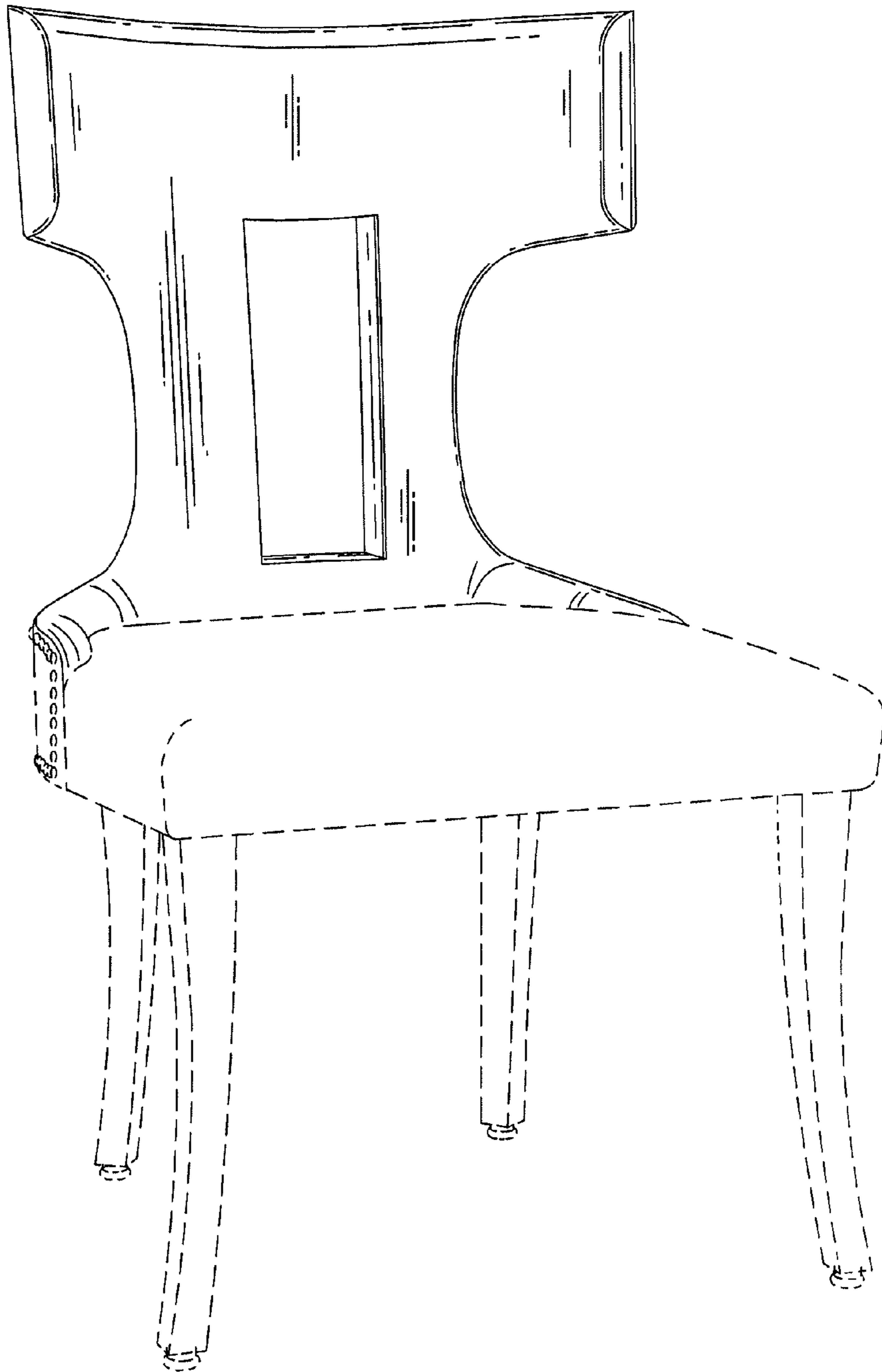


FIG. 2

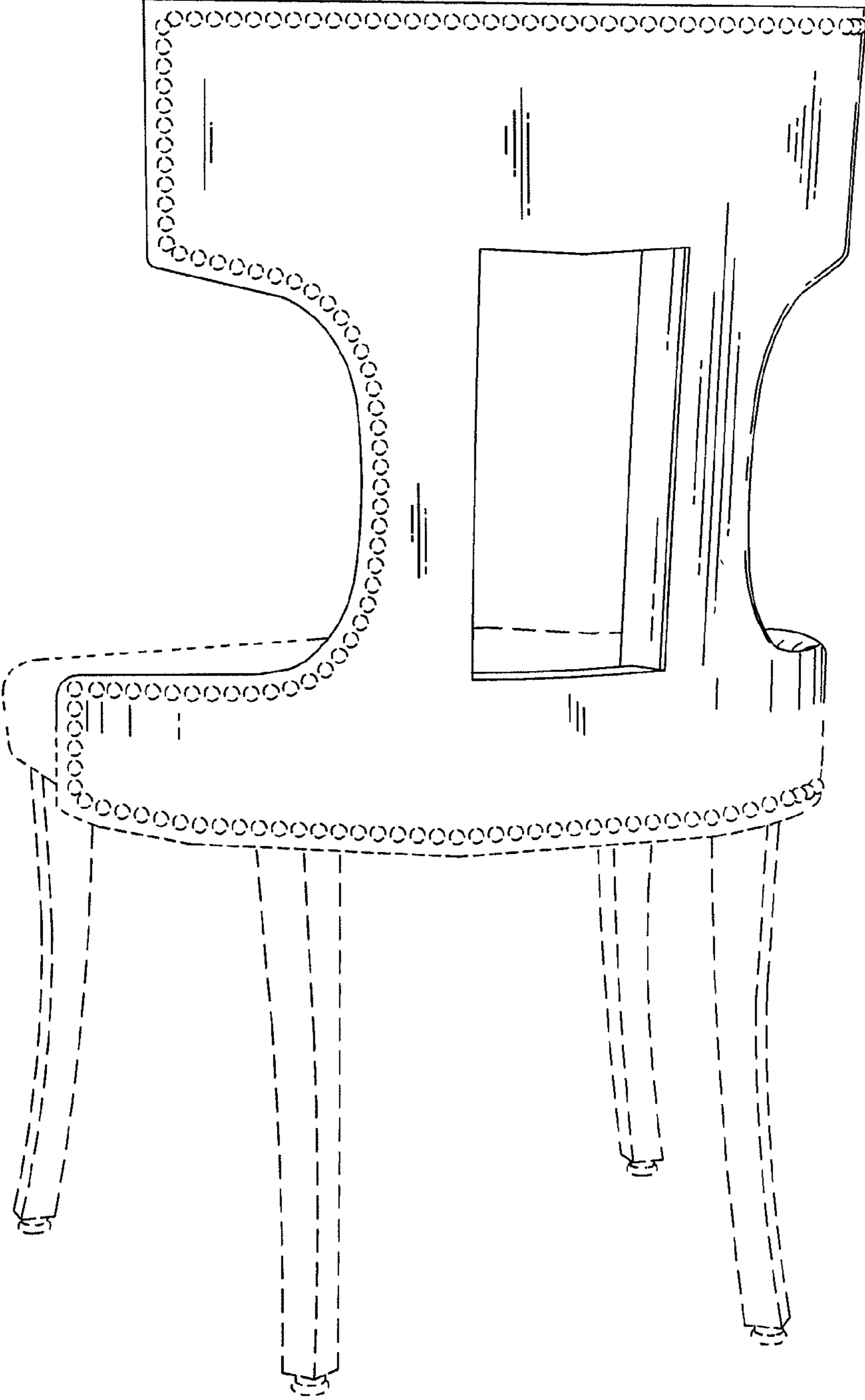


FIG. 3

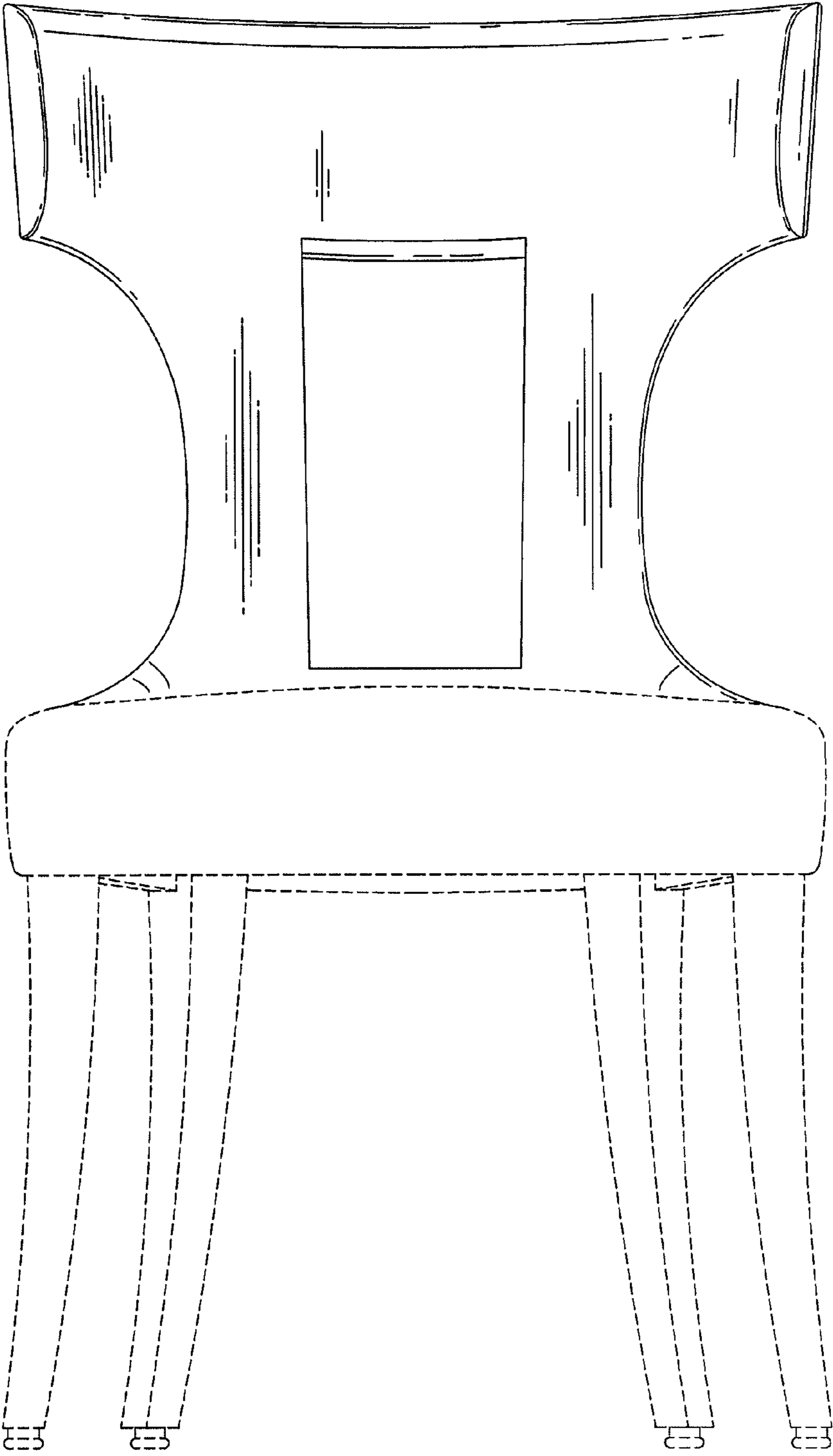


FIG. 4

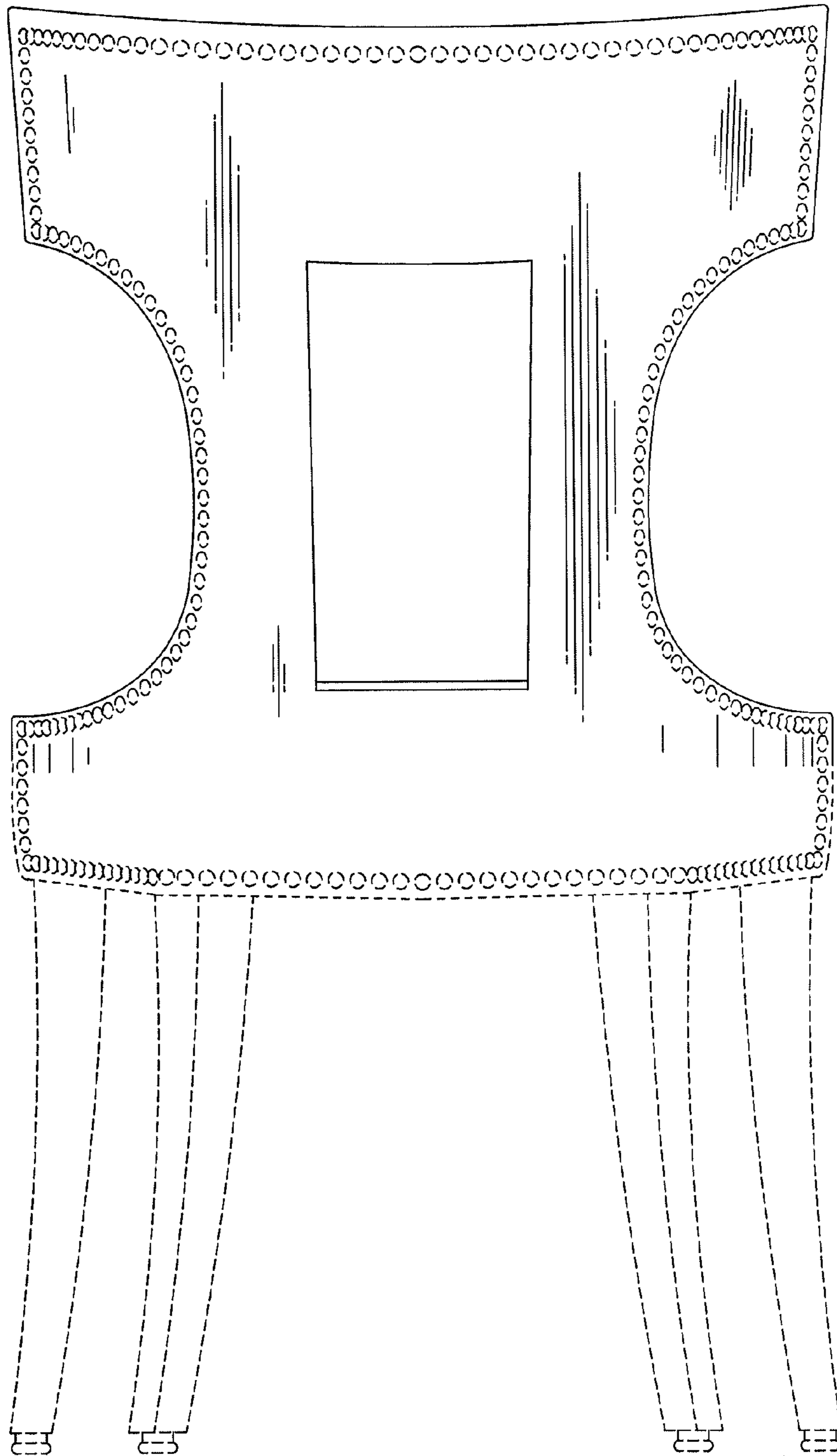


FIG. 5

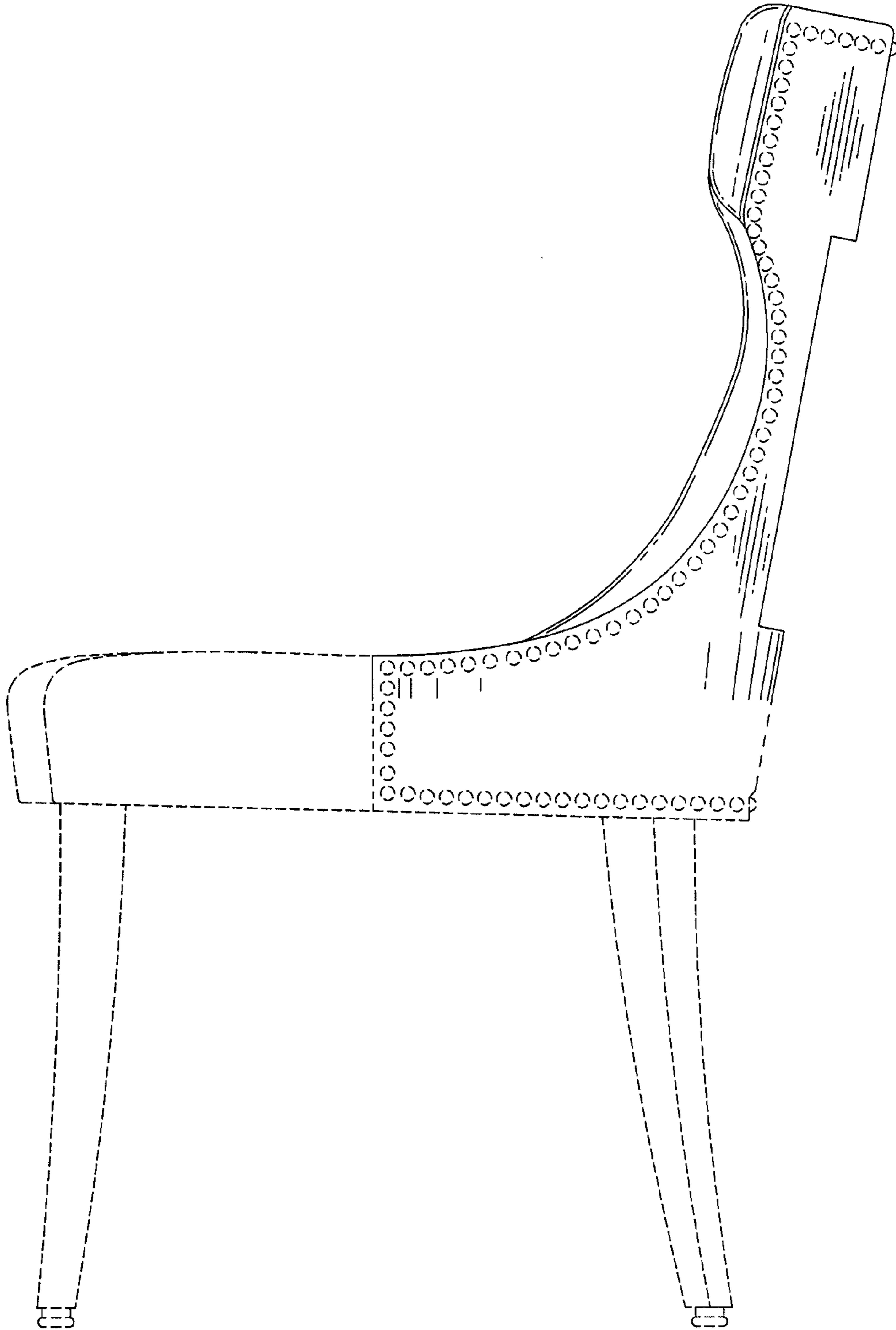


FIG. 6

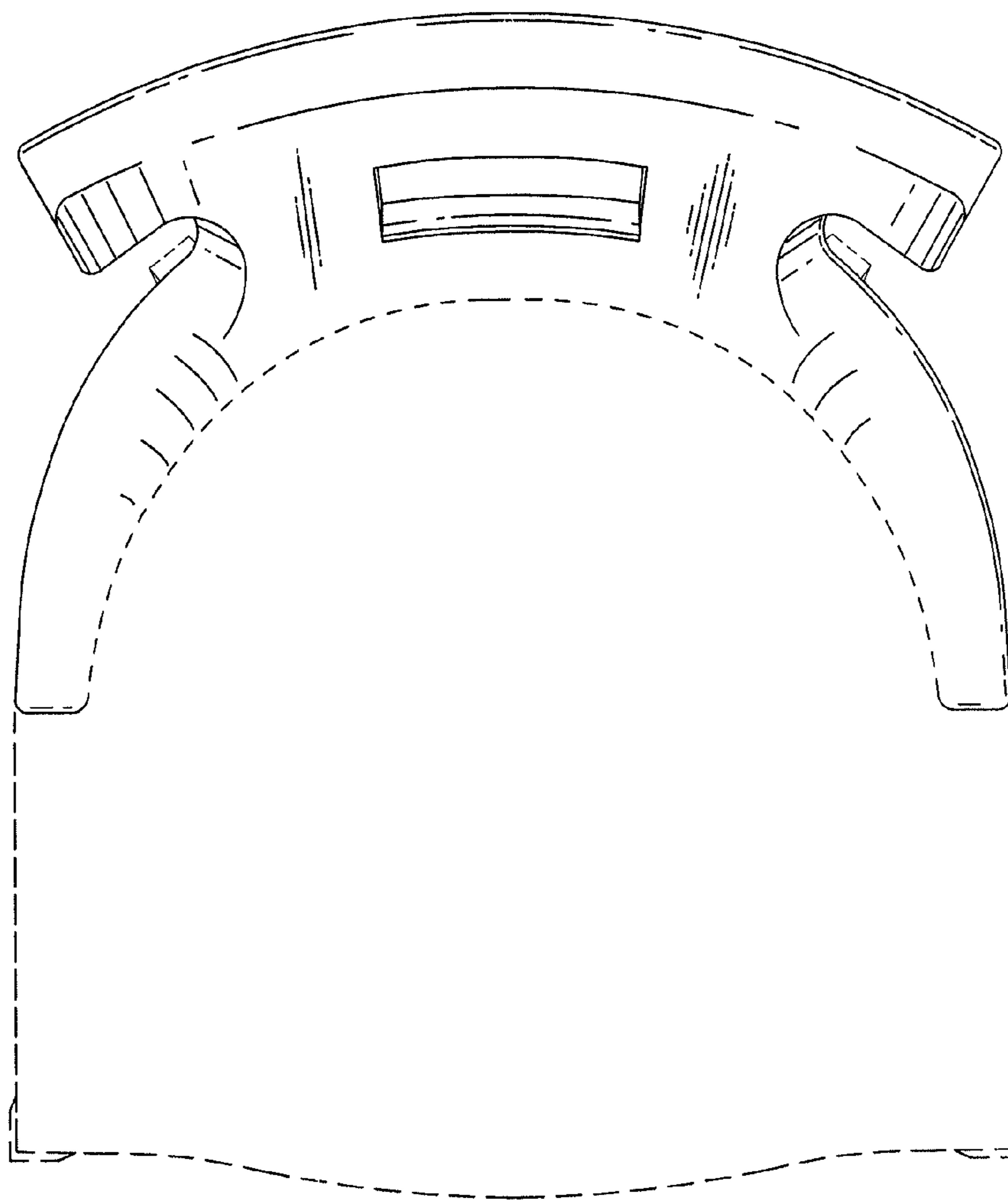


FIG. 7

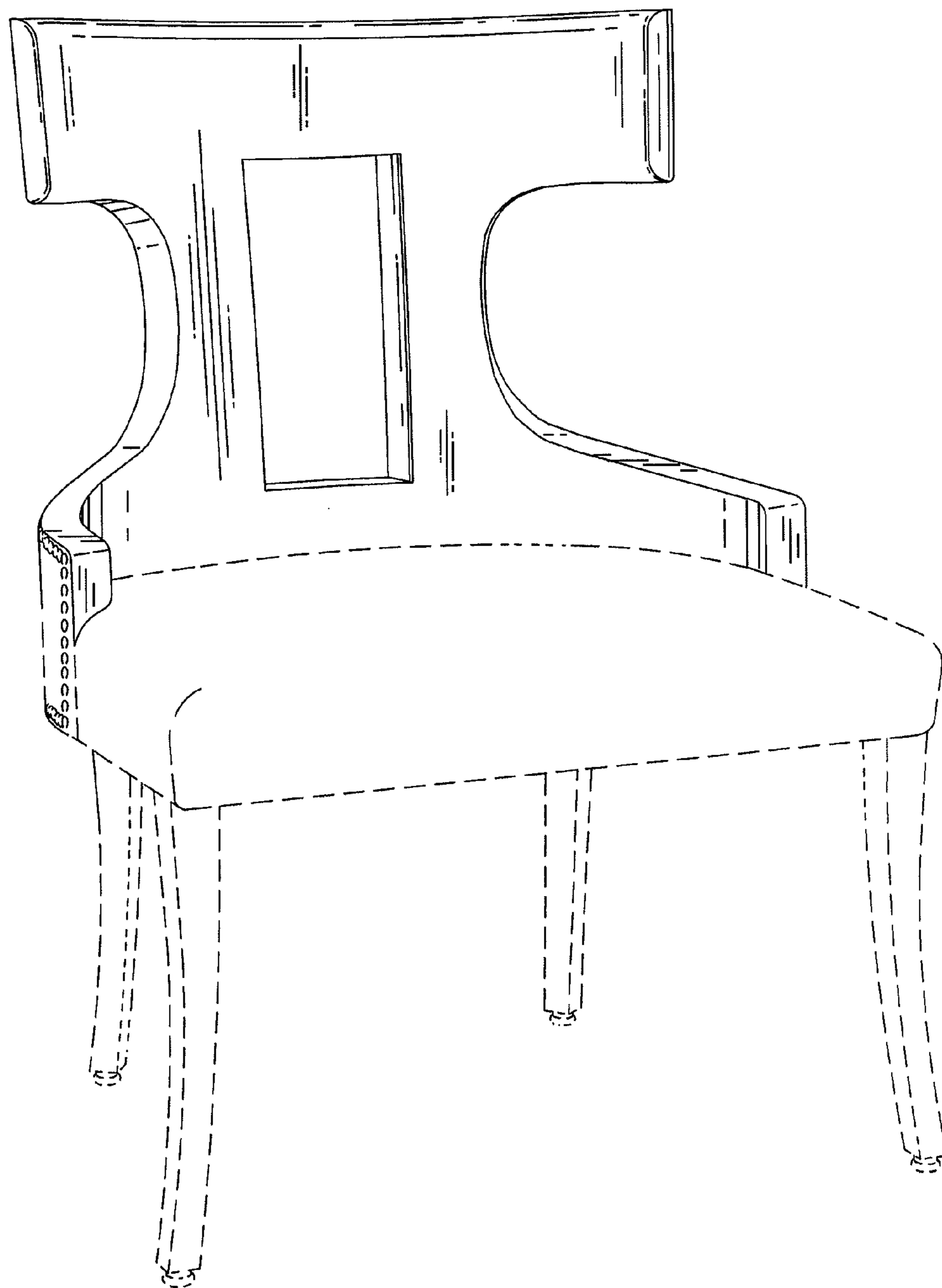


FIG. 8

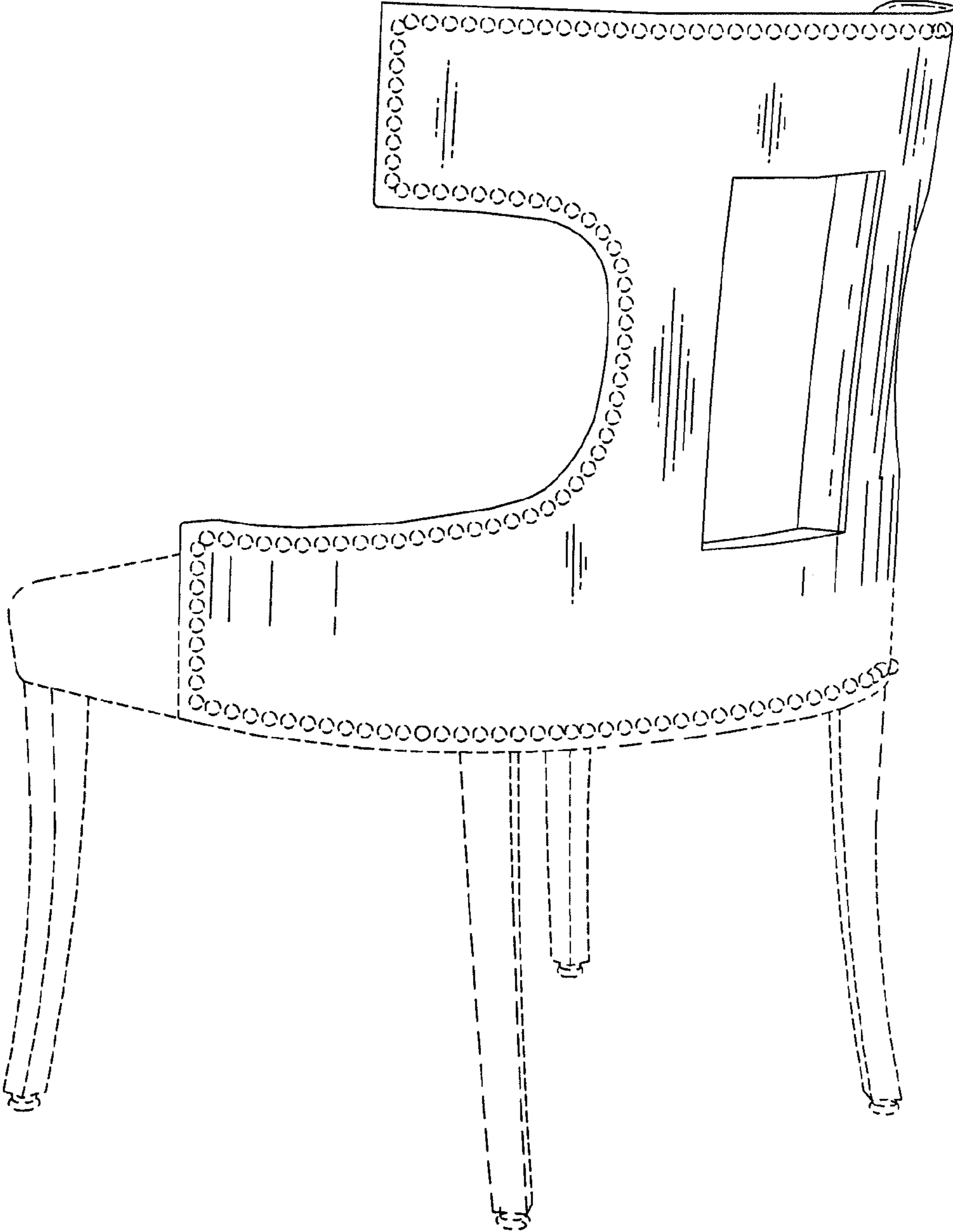


FIG. 9

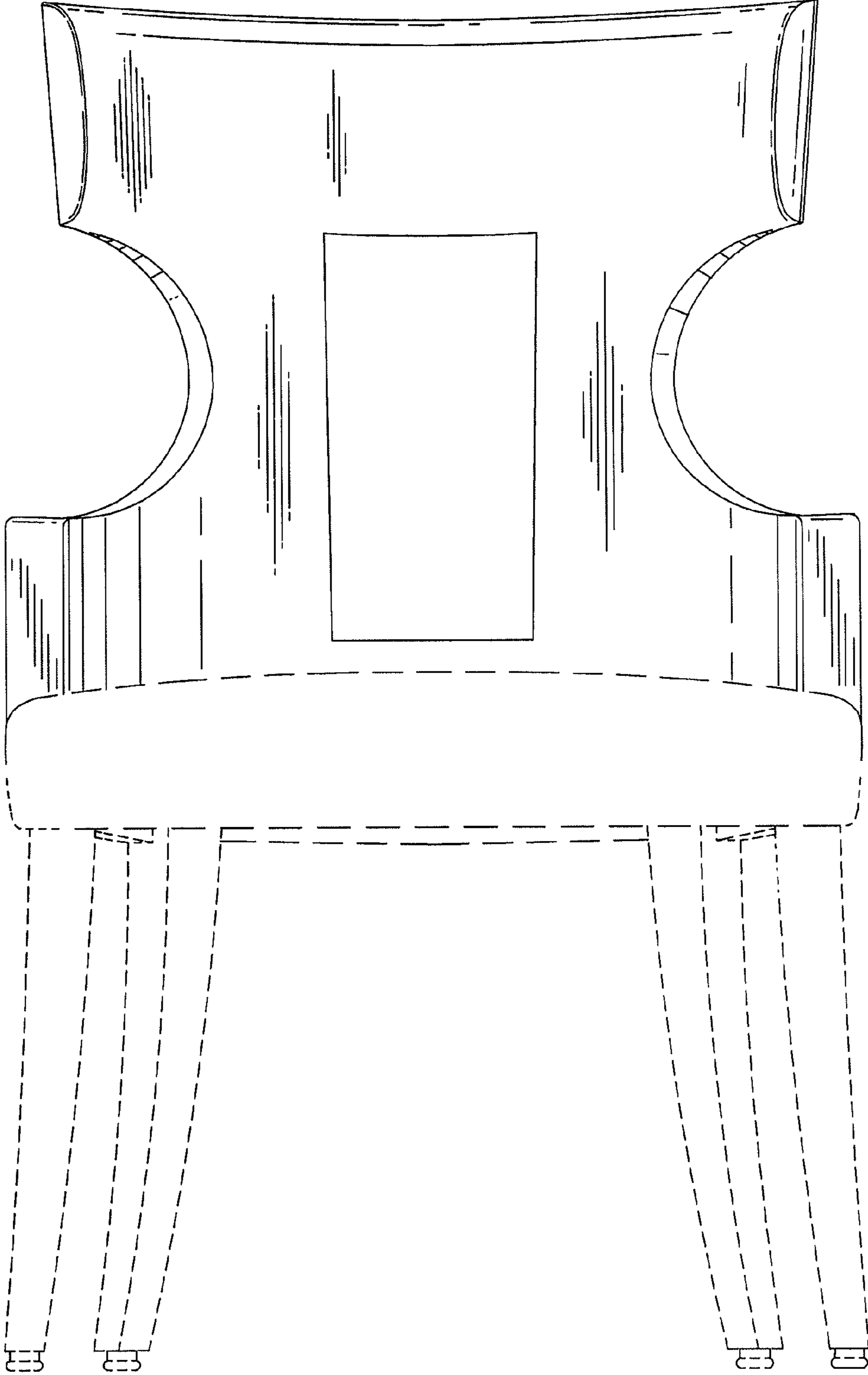


FIG. 10

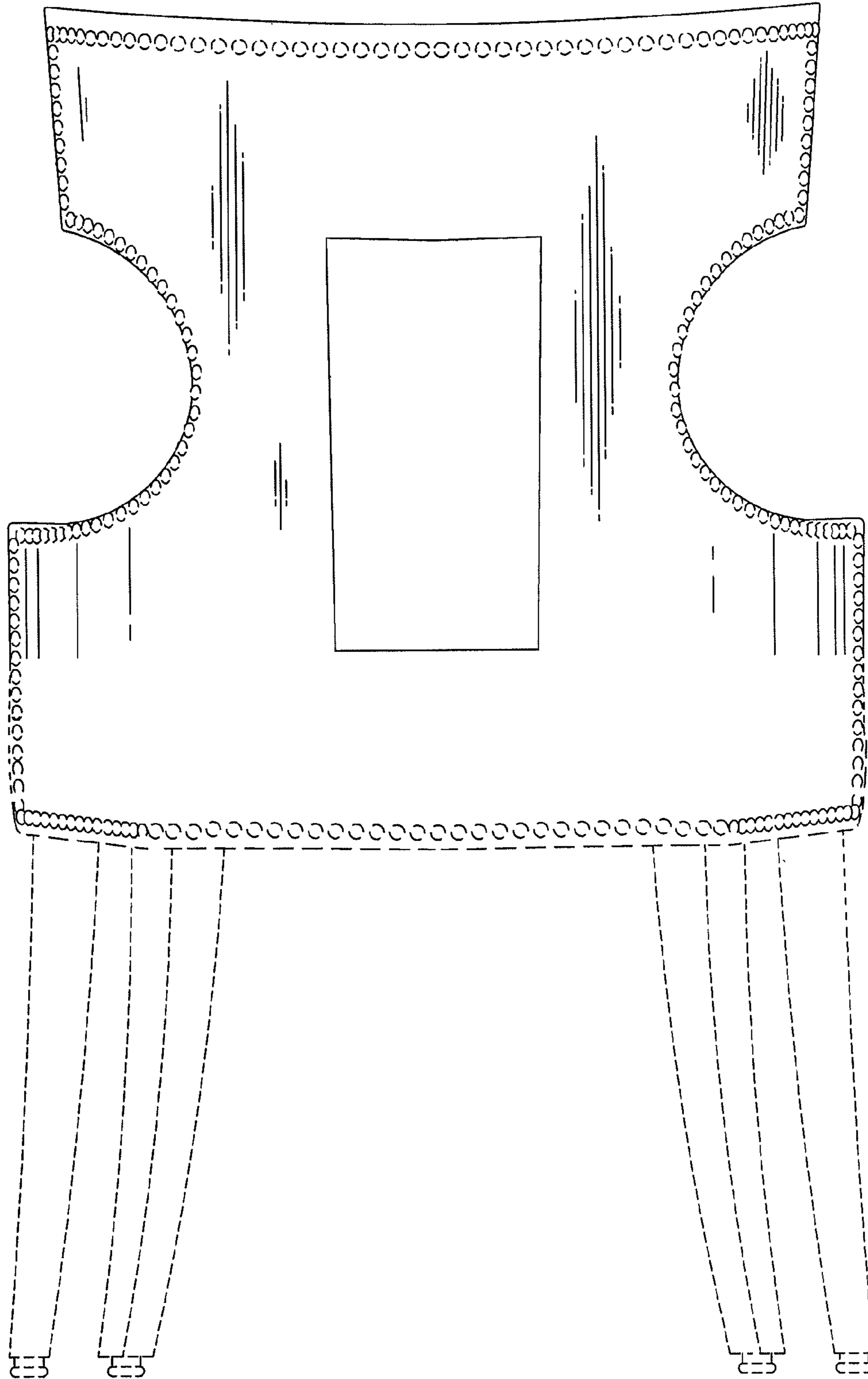


FIG. 11

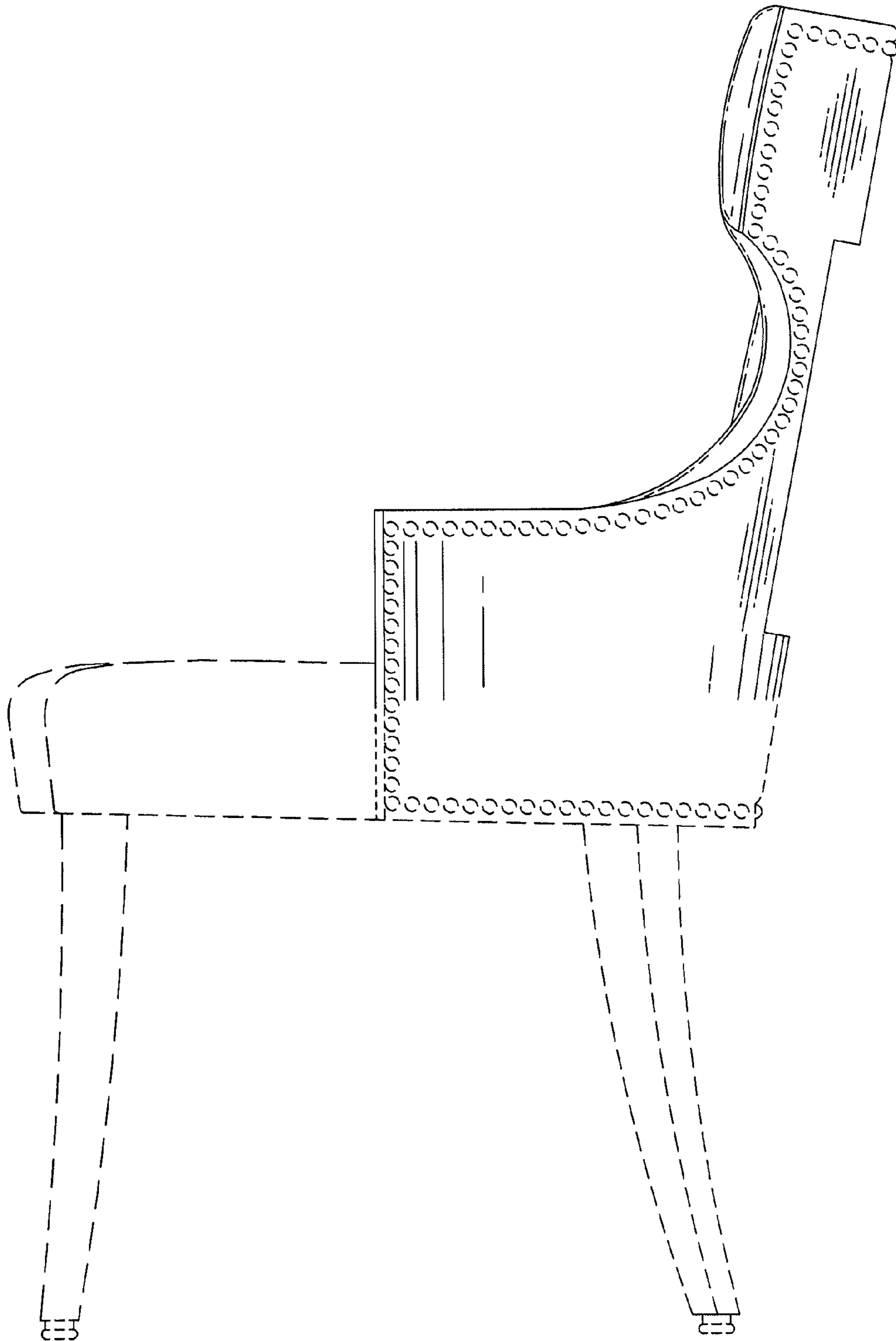


FIG. 12

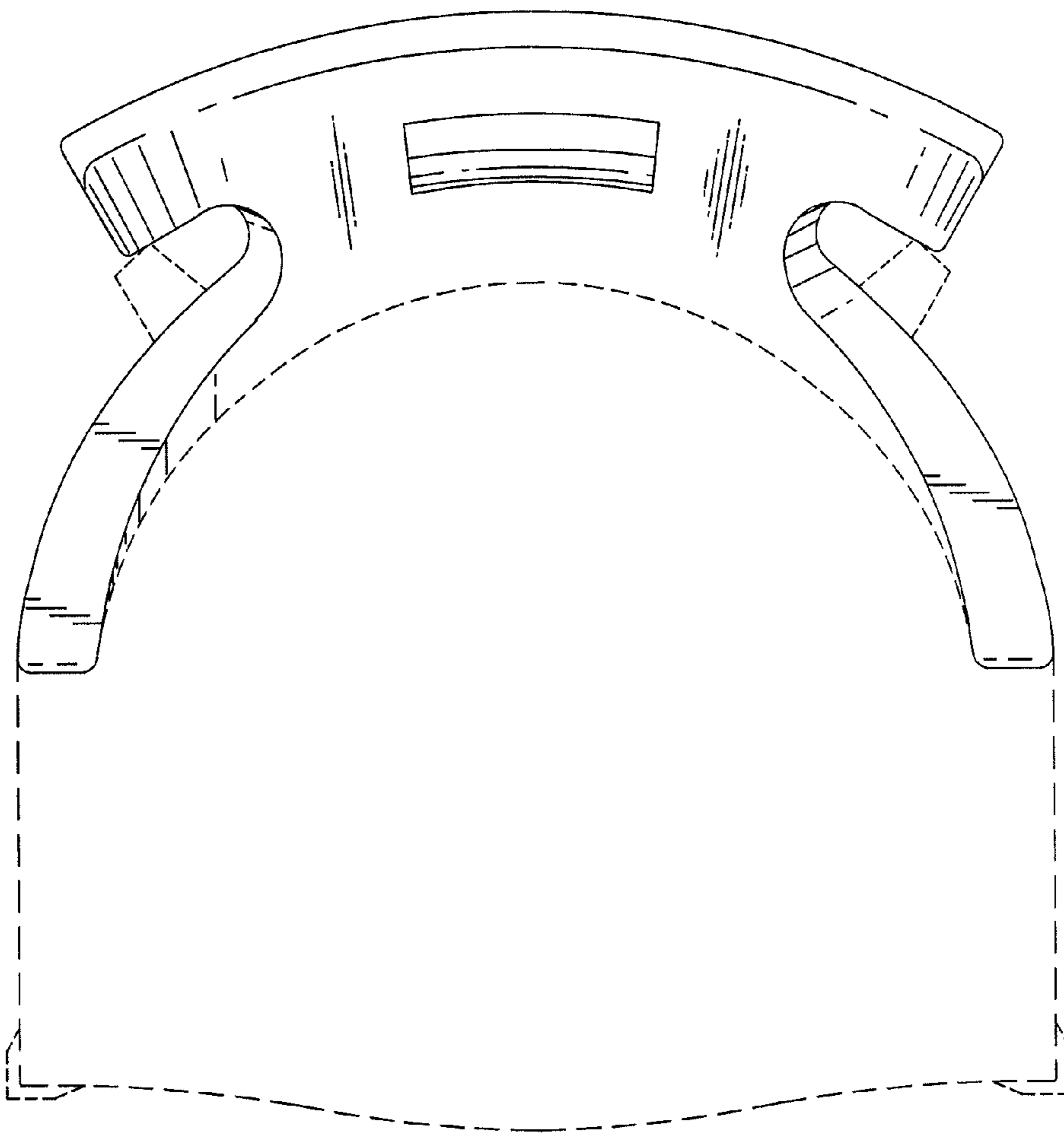


FIG. 13

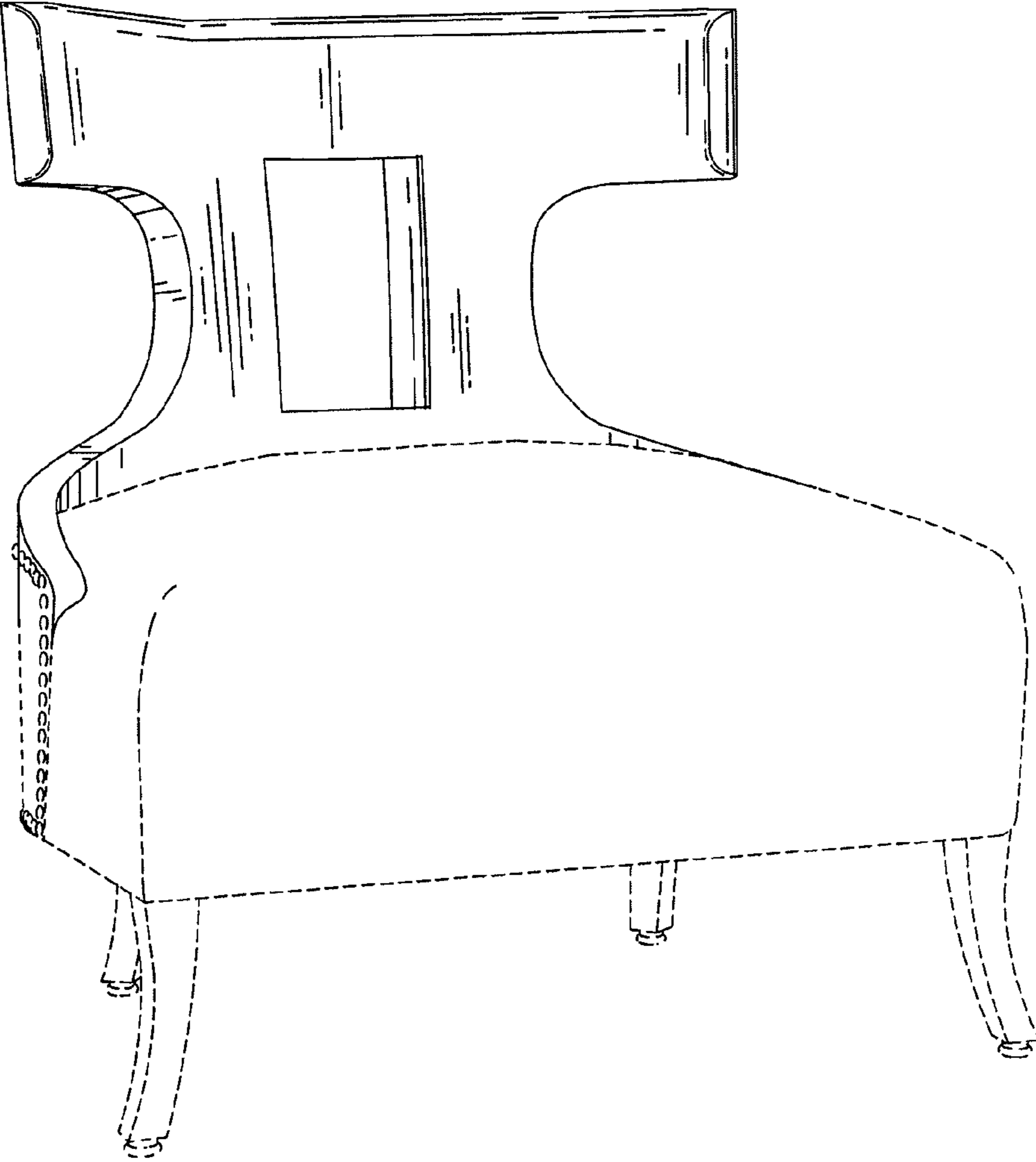


FIG. 14

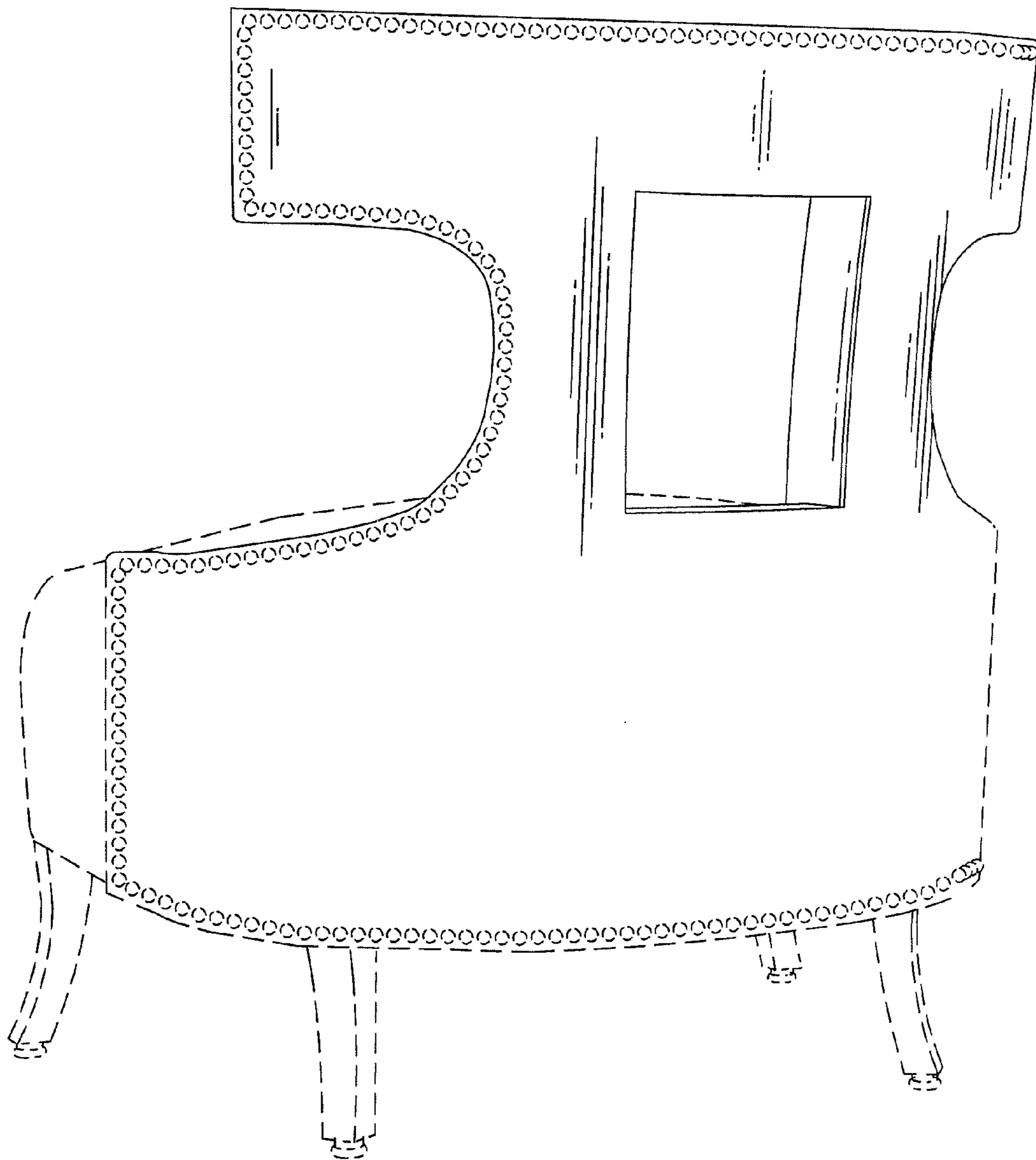


FIG. 15

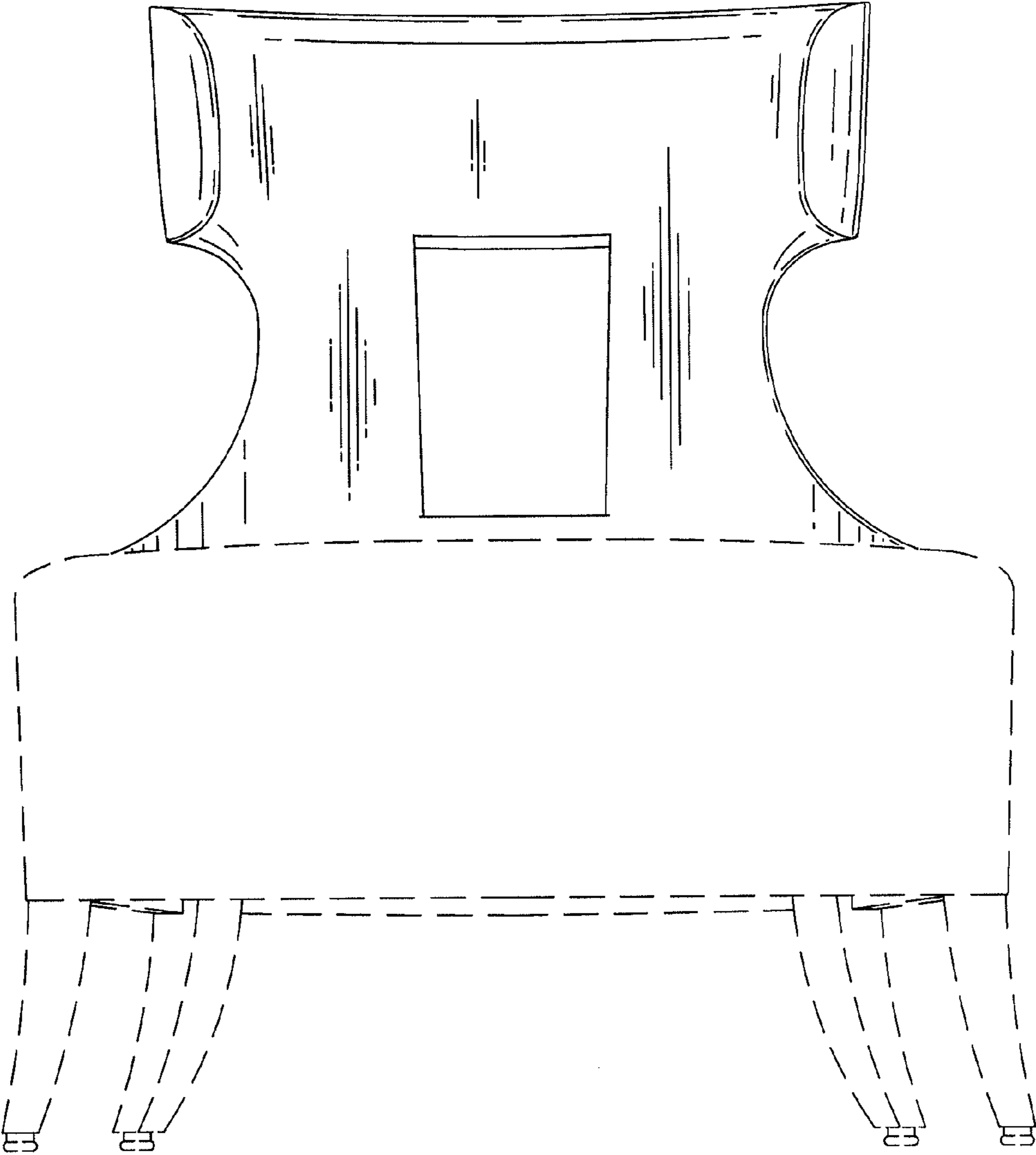


FIG. 16

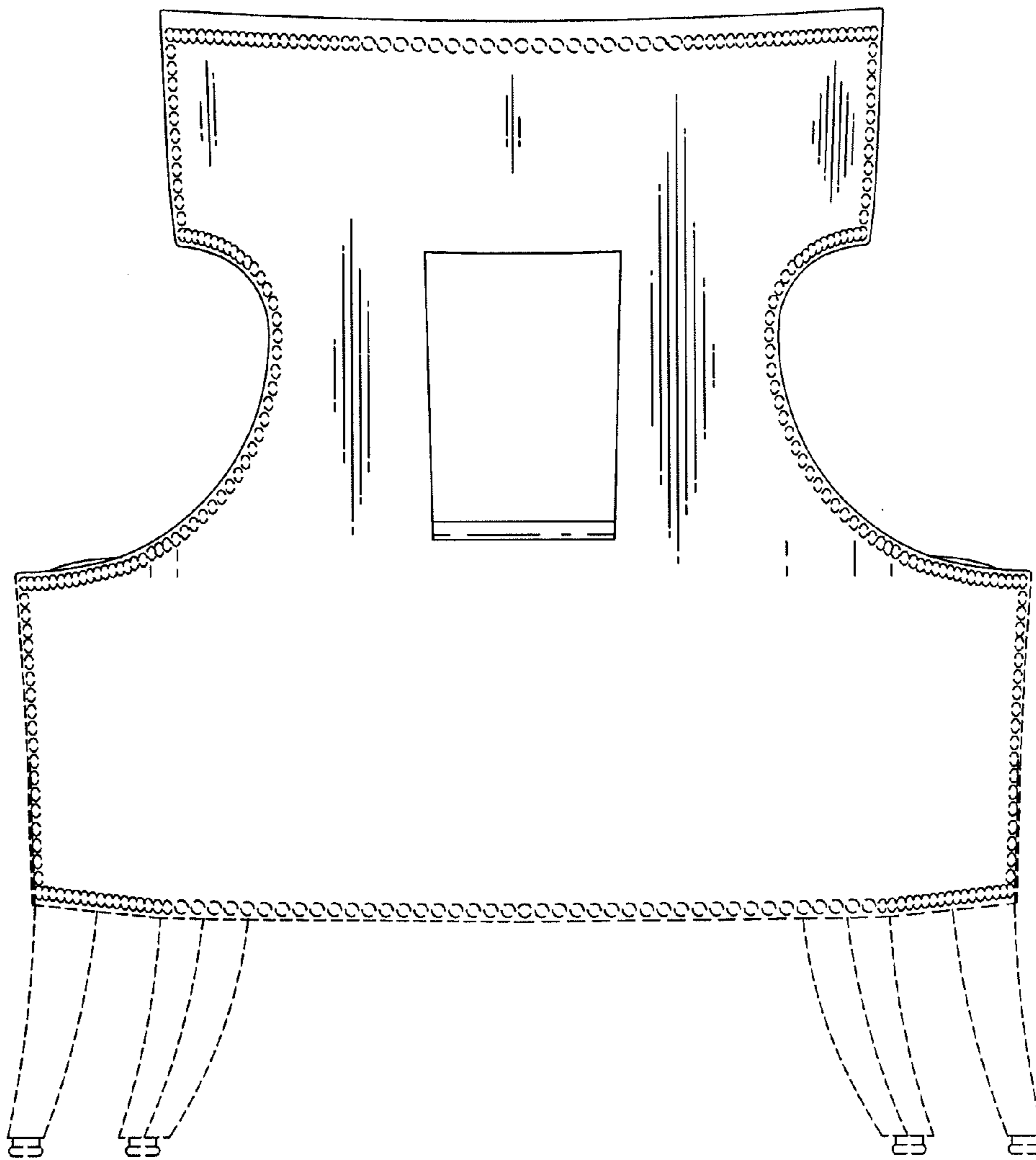


FIG. 17

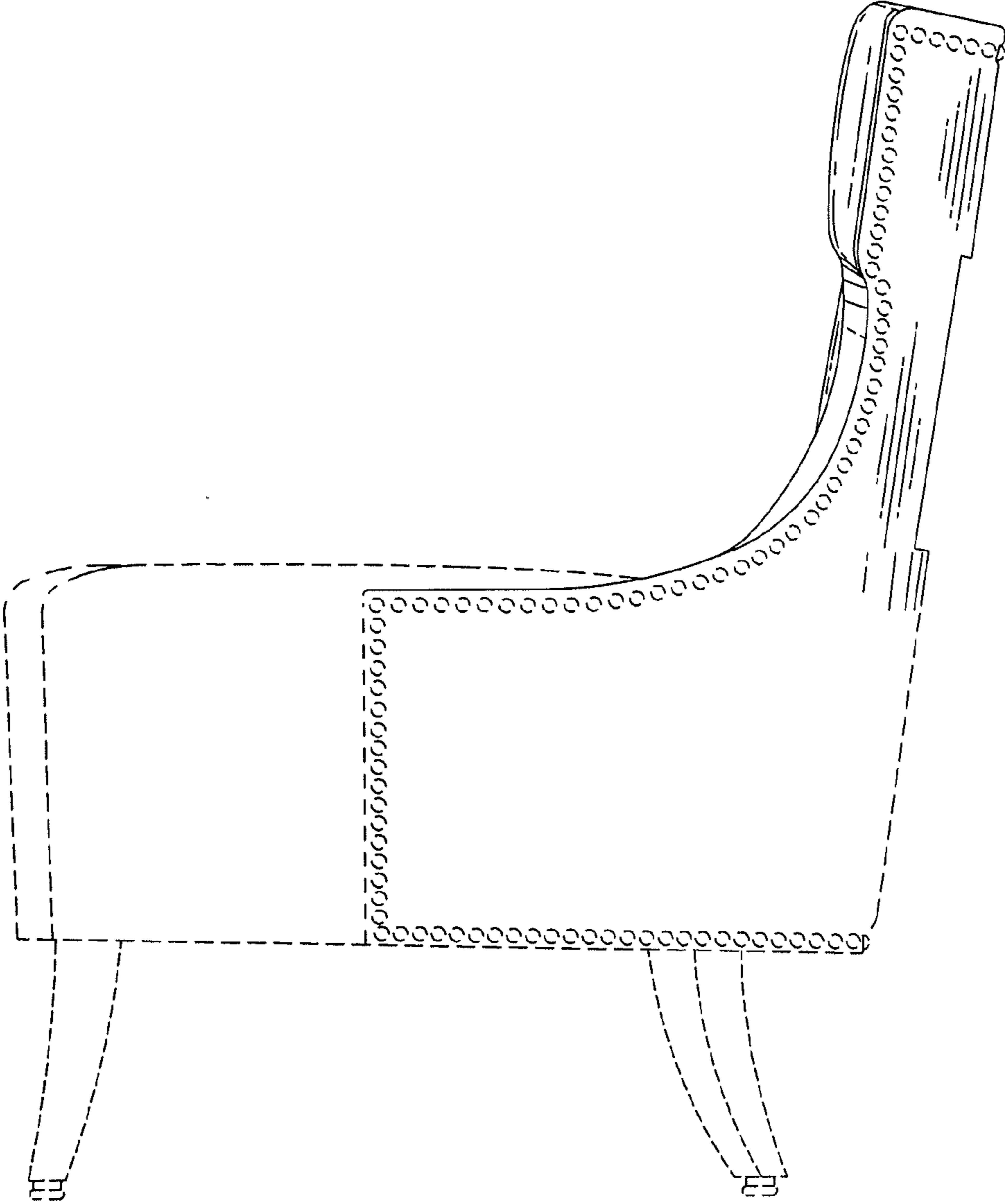


FIG. 18

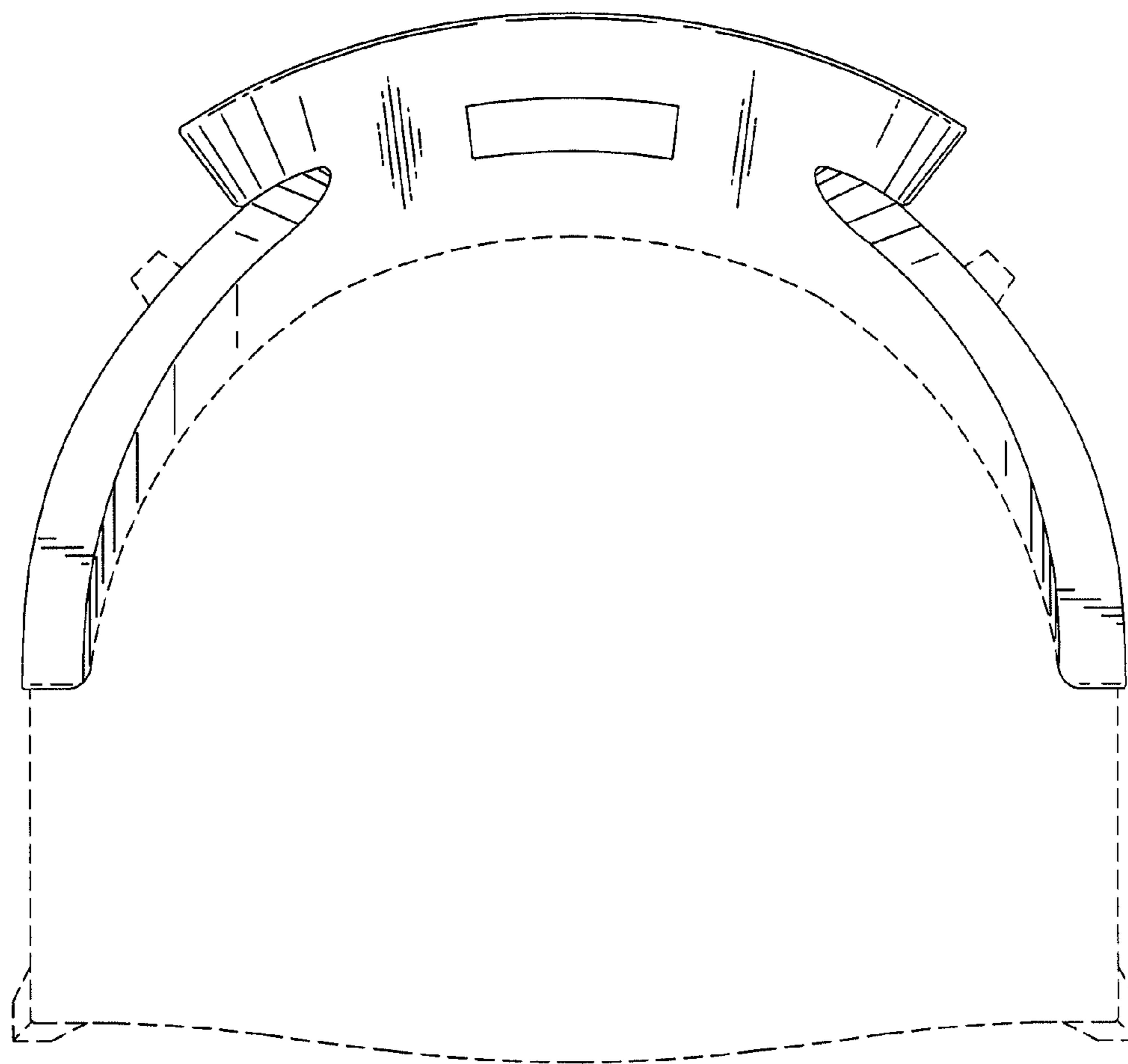


FIG. 19

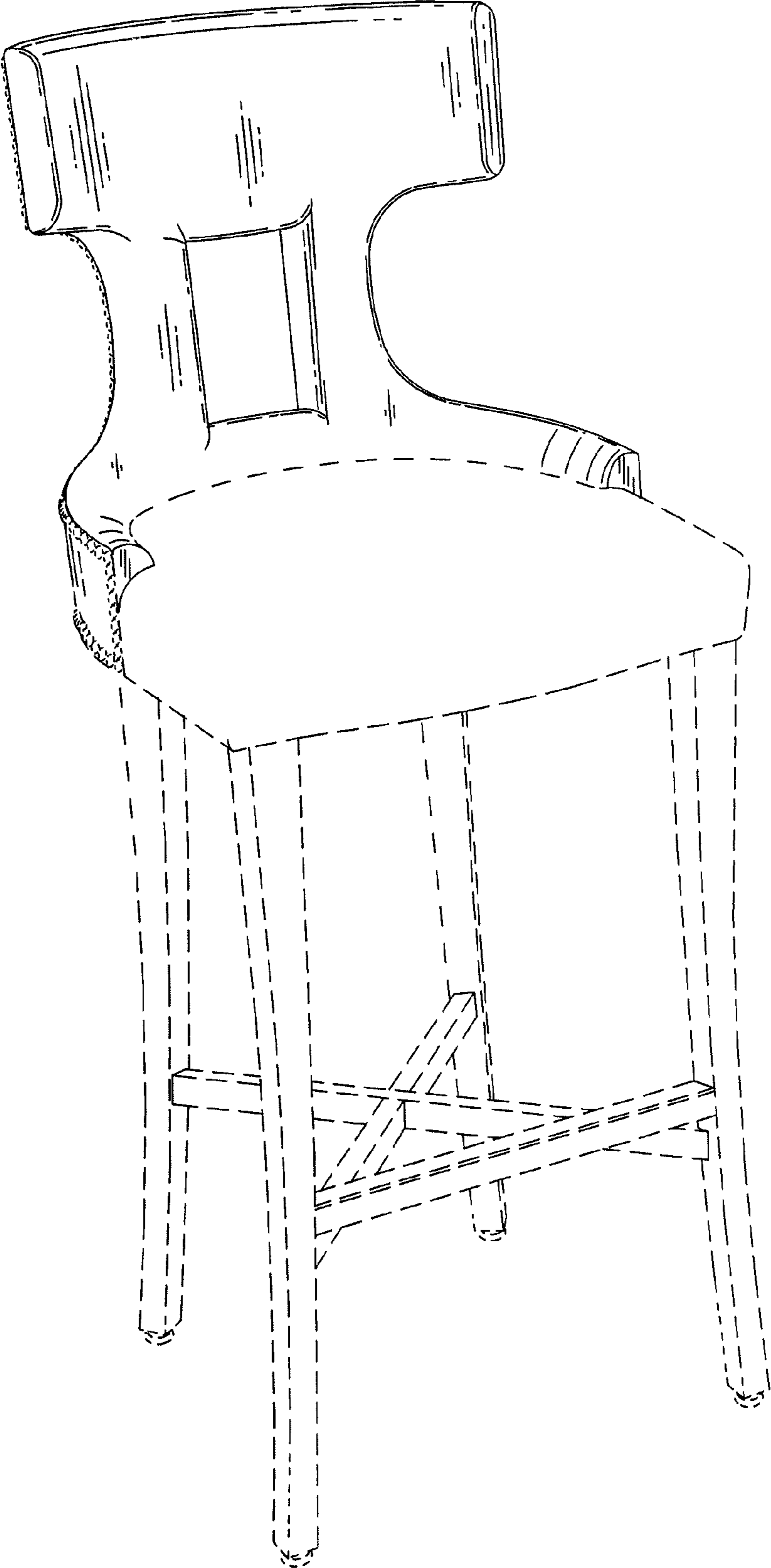


FIG. 20

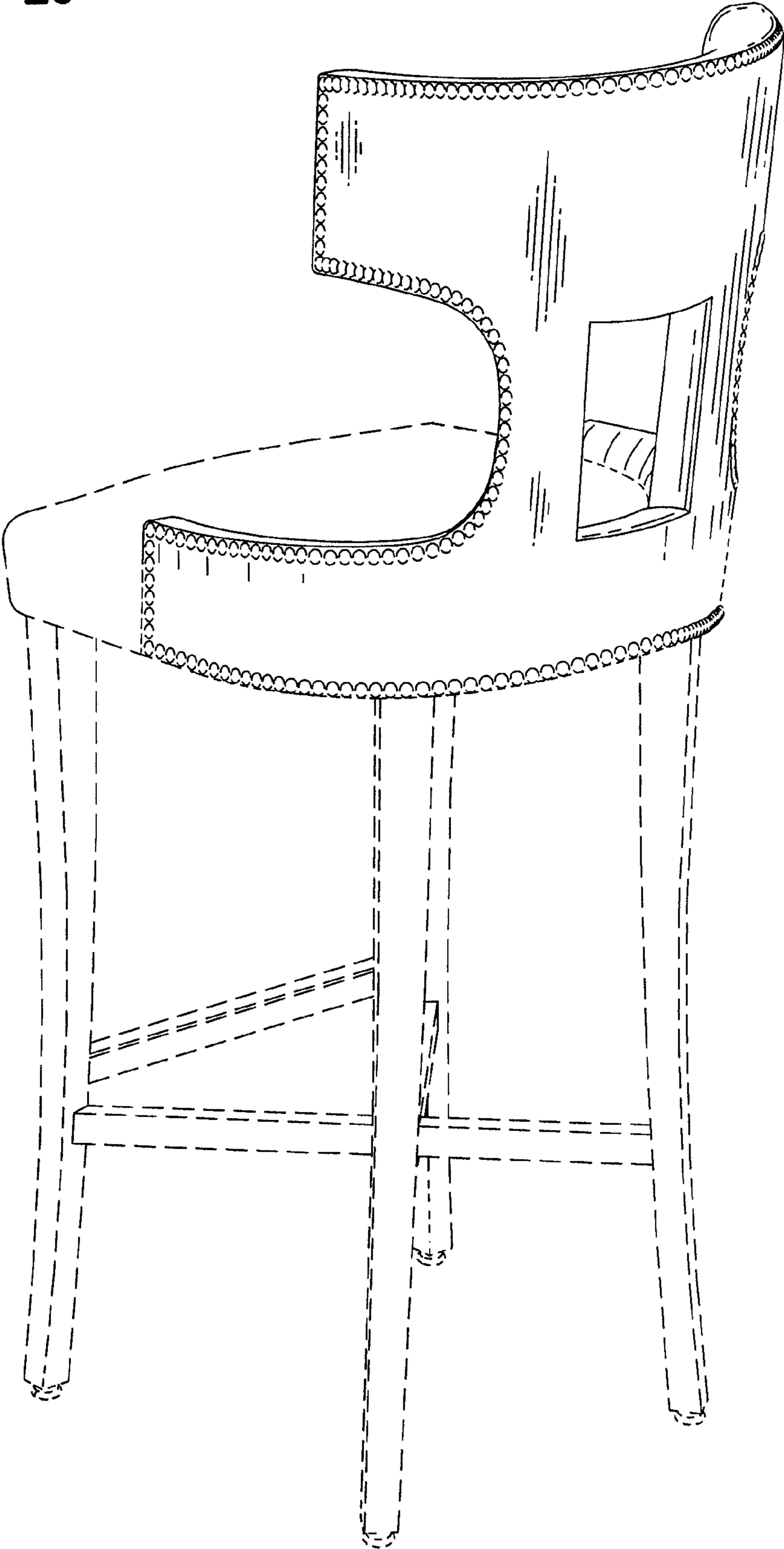


FIG. 21

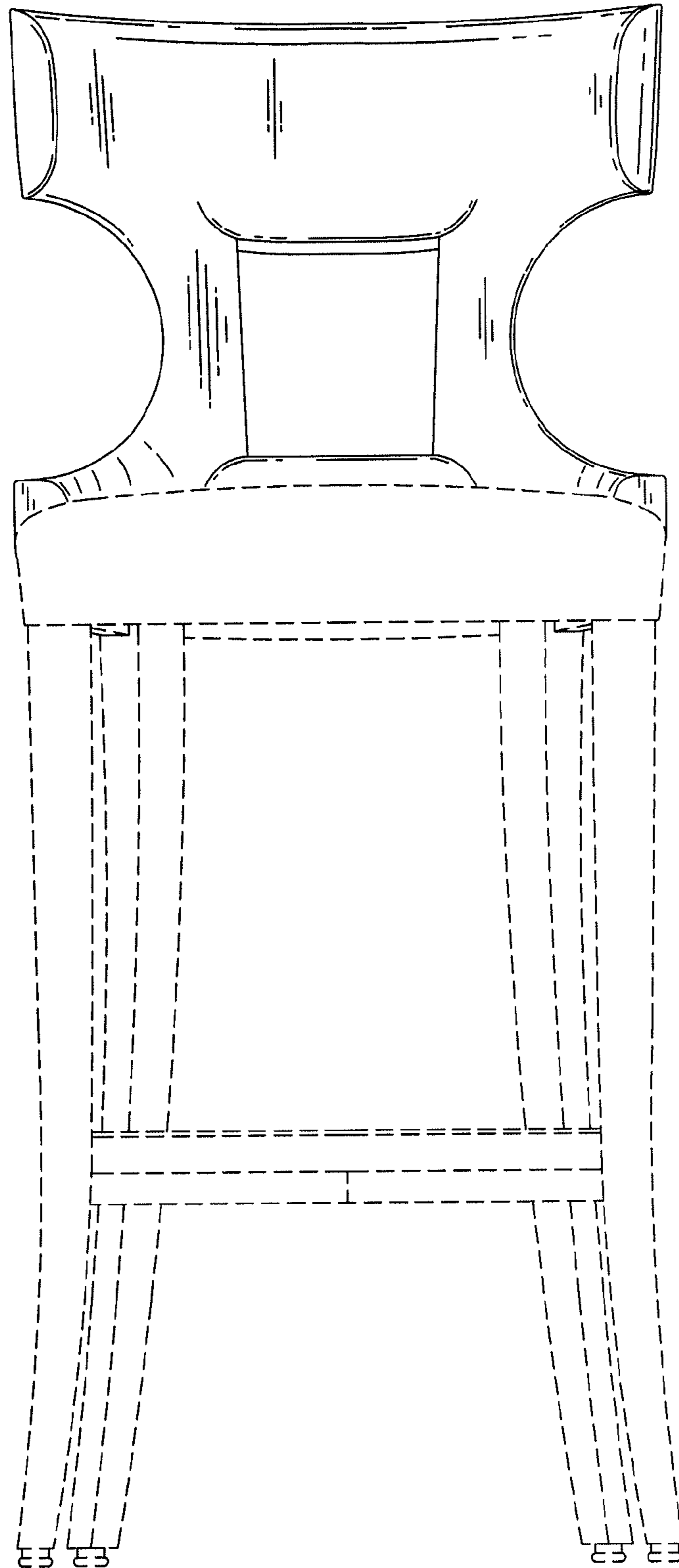


FIG. 22

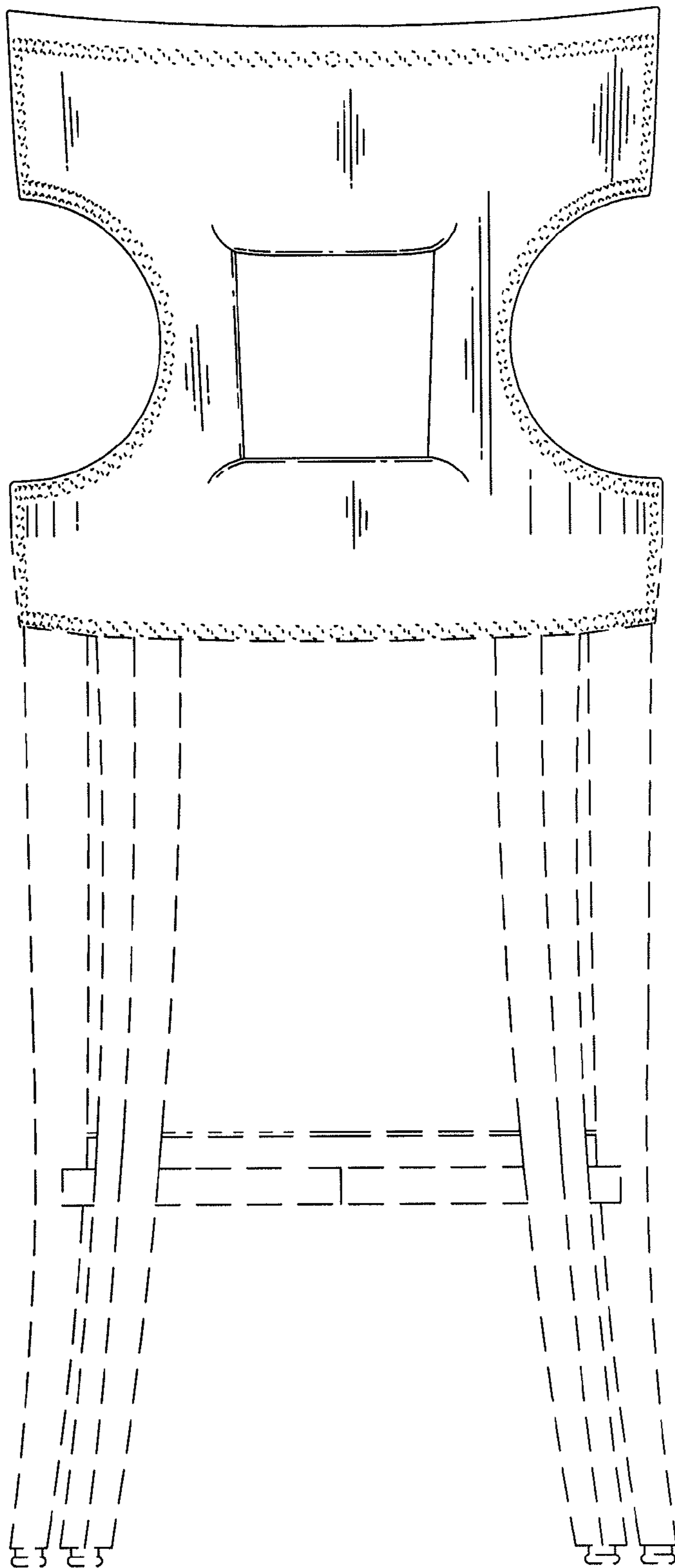


FIG. 23

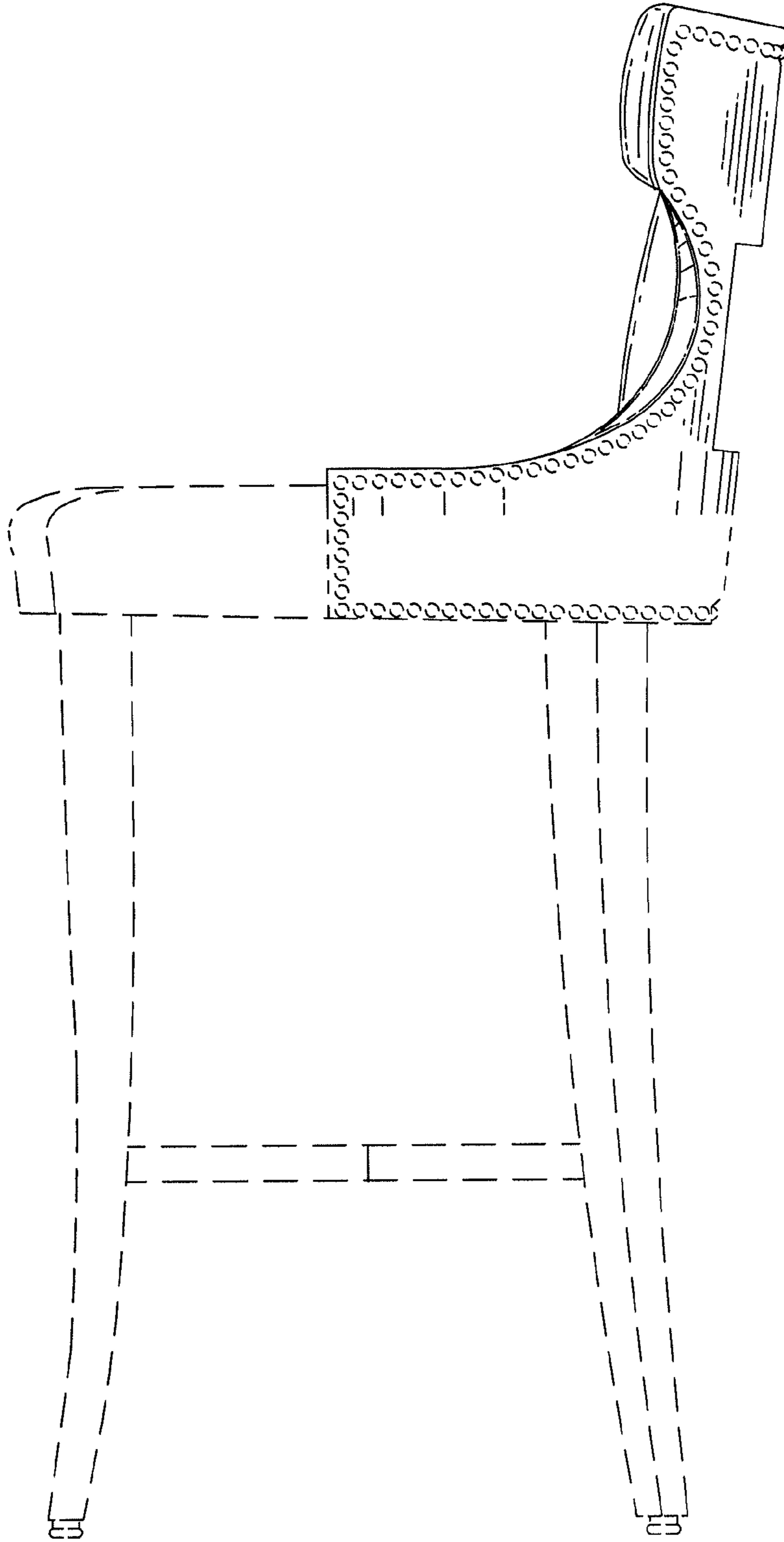


FIG. 24

