



US00D676689S

(12) **United States Design Patent**  
**Matsushita et al.**

(10) **Patent No.:** **US D676,689 S**  
(45) **Date of Patent:** **\*\* Feb. 26, 2013**

(54) **TABLE**

(75) Inventors: **Kanya Matsushita**, Kanagawa (JP);  
**Ayako Aratani**, Kanagawa (JP)

(73) Assignee: **Okamura Corporation**, Kanagawa (JP)

(\*\*) Term: **14 Years**

(21) Appl. No.: **29/414,444**

(22) Filed: **Feb. 28, 2012**

(30) **Foreign Application Priority Data**

Sep. 1, 2011 (JP) ..... 2011-019848

(51) **LOC (9) Cl.** ..... **06-03**

(52) **U.S. Cl.** ..... **D6/480**

(58) **Field of Classification Search** ..... D6/480-489,  
D6/495-499, 442; 108/153.1, 155, 156,  
108/157.1, 161, 50.01, 50.02; 248/188, 188.1,  
248/188.8

See application file for complete search history.

(56) **References Cited**

U.S. PATENT DOCUMENTS

D334,856	S	*	4/1993	Sielaff	.....	D6/474
D443,440	S	*	6/2001	Deimen et al.	.....	D6/480
D480,583	S	*	10/2003	Risdall	.....	D6/483
D507,902	S	*	8/2005	Cioncada	.....	D6/480
D552,884	S	*	10/2007	Saotome	.....	D6/480
D552,885	S	*	10/2007	Saotome	.....	D6/480
D626,767	S	*	11/2010	Lucci et al.	.....	D6/495
D638,637	S	*	5/2011	Foley	.....	D6/429

\* cited by examiner

*Primary Examiner* — Janice Seeger

(74) *Attorney, Agent, or Firm* — Sughrue Mion, PLLC

(57) **CLAIM**

The ornamental design for a table, as shown and described.

**DESCRIPTION**

FIG. 1 is a perspective view from the front side of a table.  
FIG. 2 is a perspective view from the rear side thereof.  
FIG. 3 is a front elevation view thereof.  
FIG. 4 is a right side elevation view thereof.  
FIG. 5 is a left side elevation view thereof.  
FIG. 6 is a top plan view thereof.  
FIG. 7 is a rear elevation view thereof; and,  
FIG. 8 is a bottom plan view thereof.

**1 Claim, 8 Drawing Sheets**



FIG. 1



FIG.2



FIG. 3

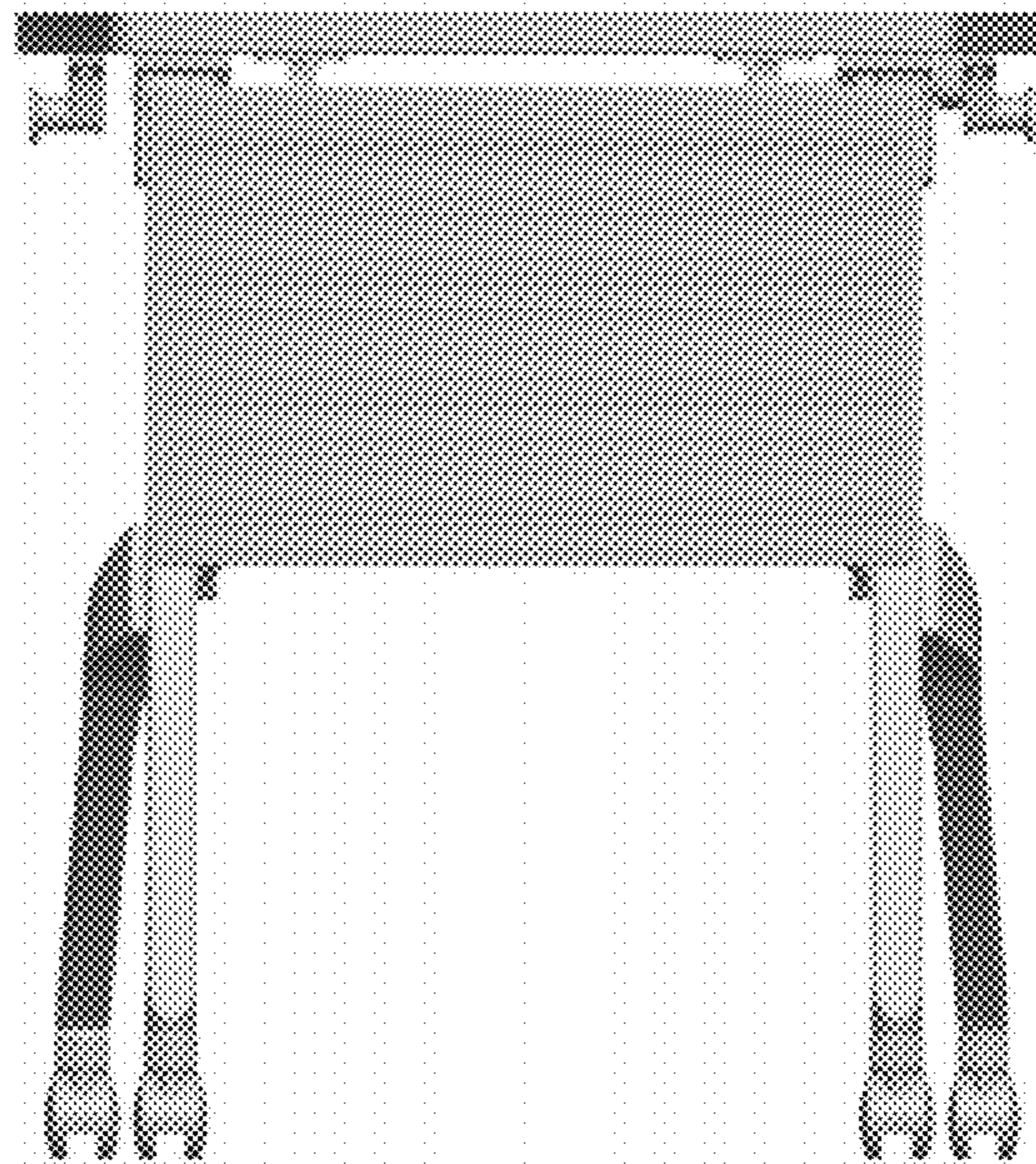


FIG.4

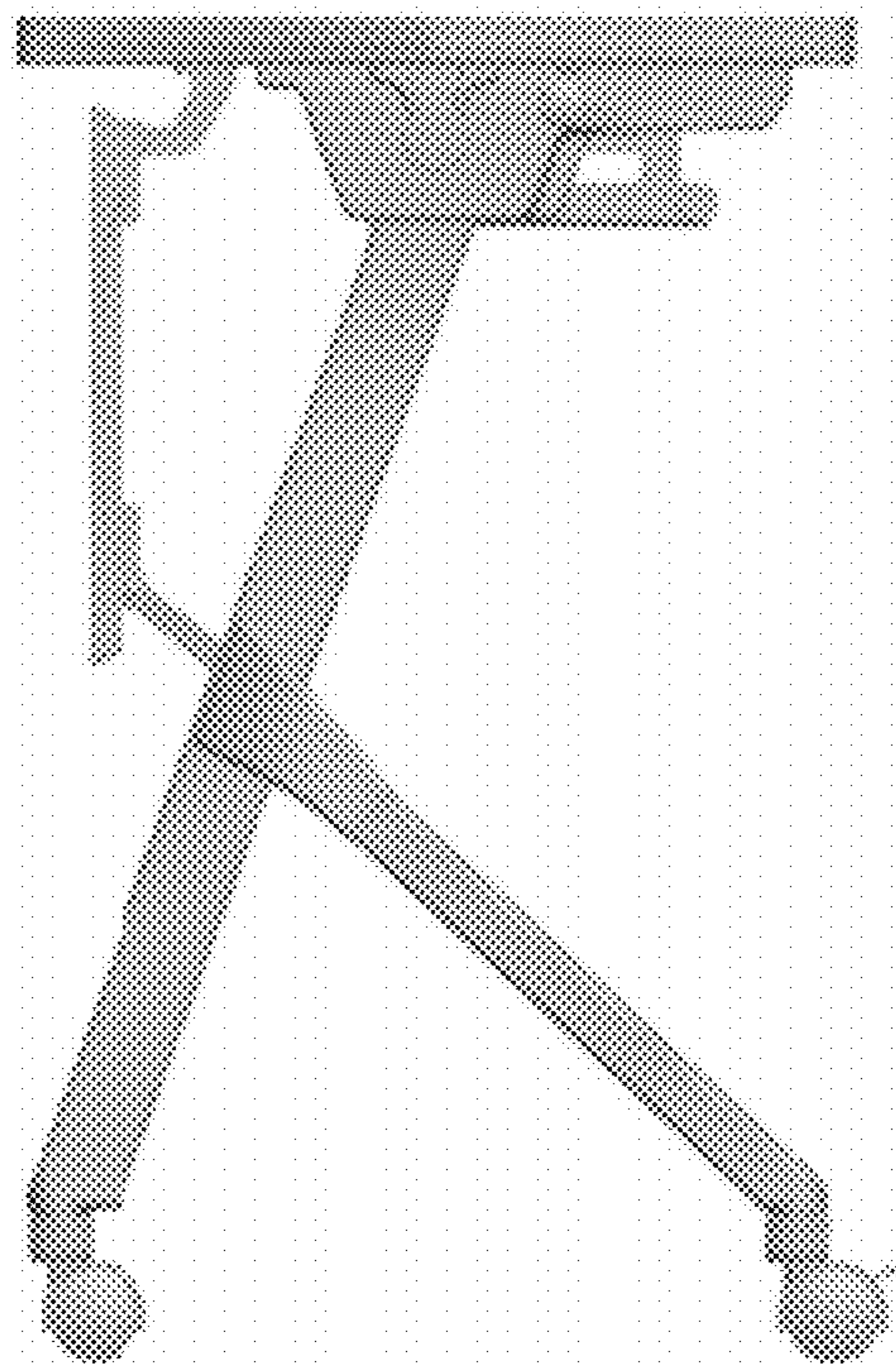


FIG.5

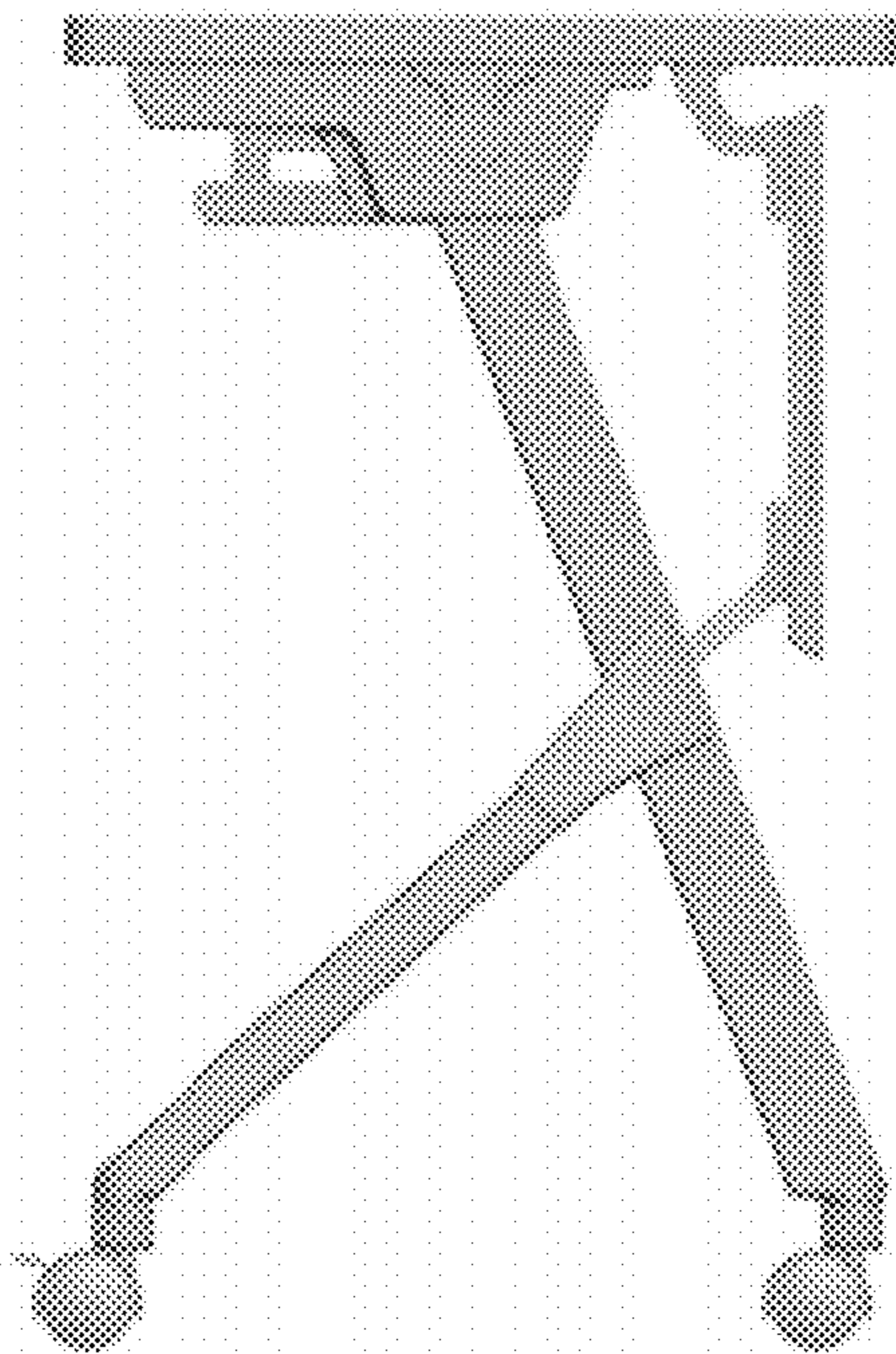


FIG.6

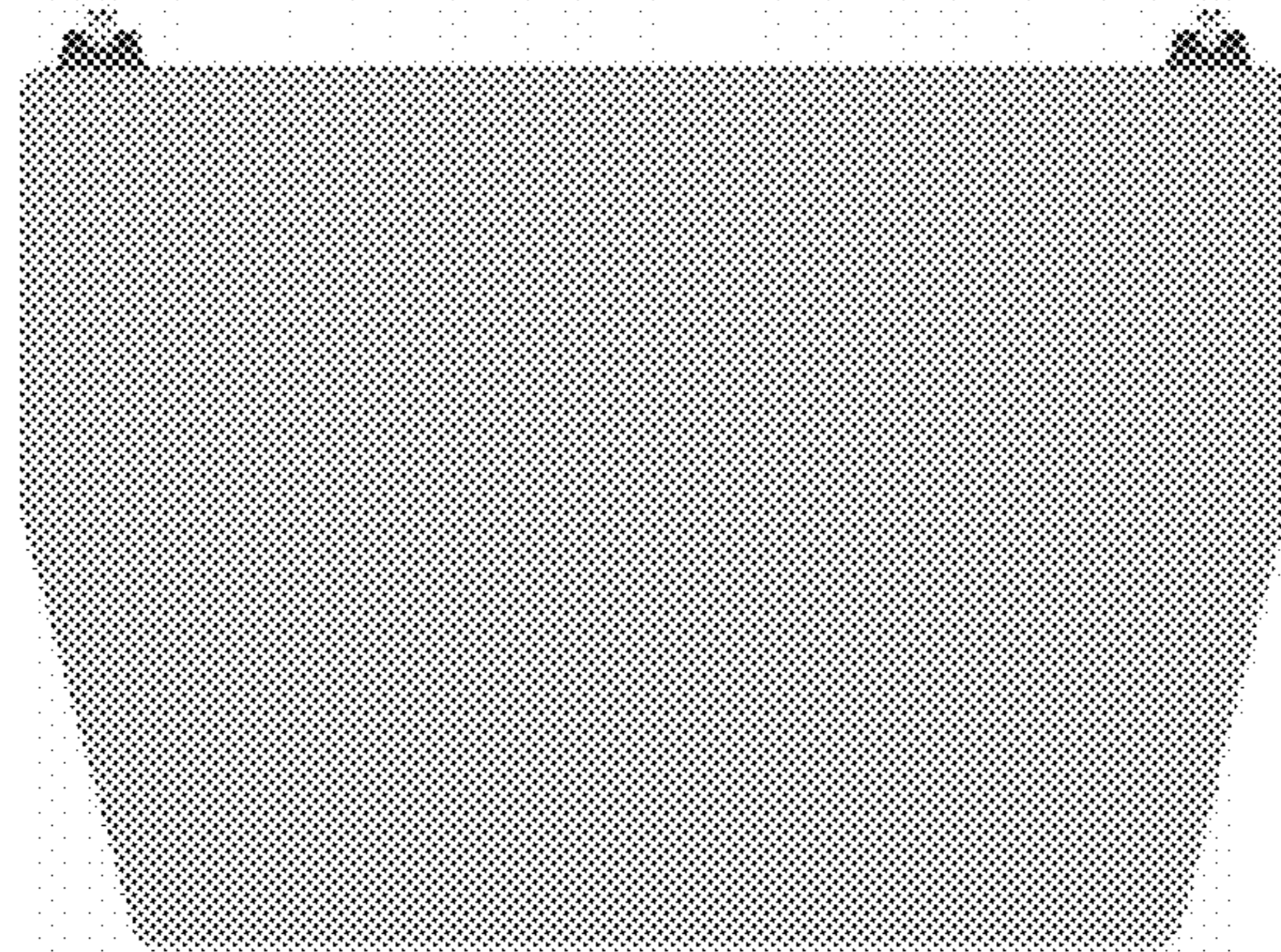


FIG. 7

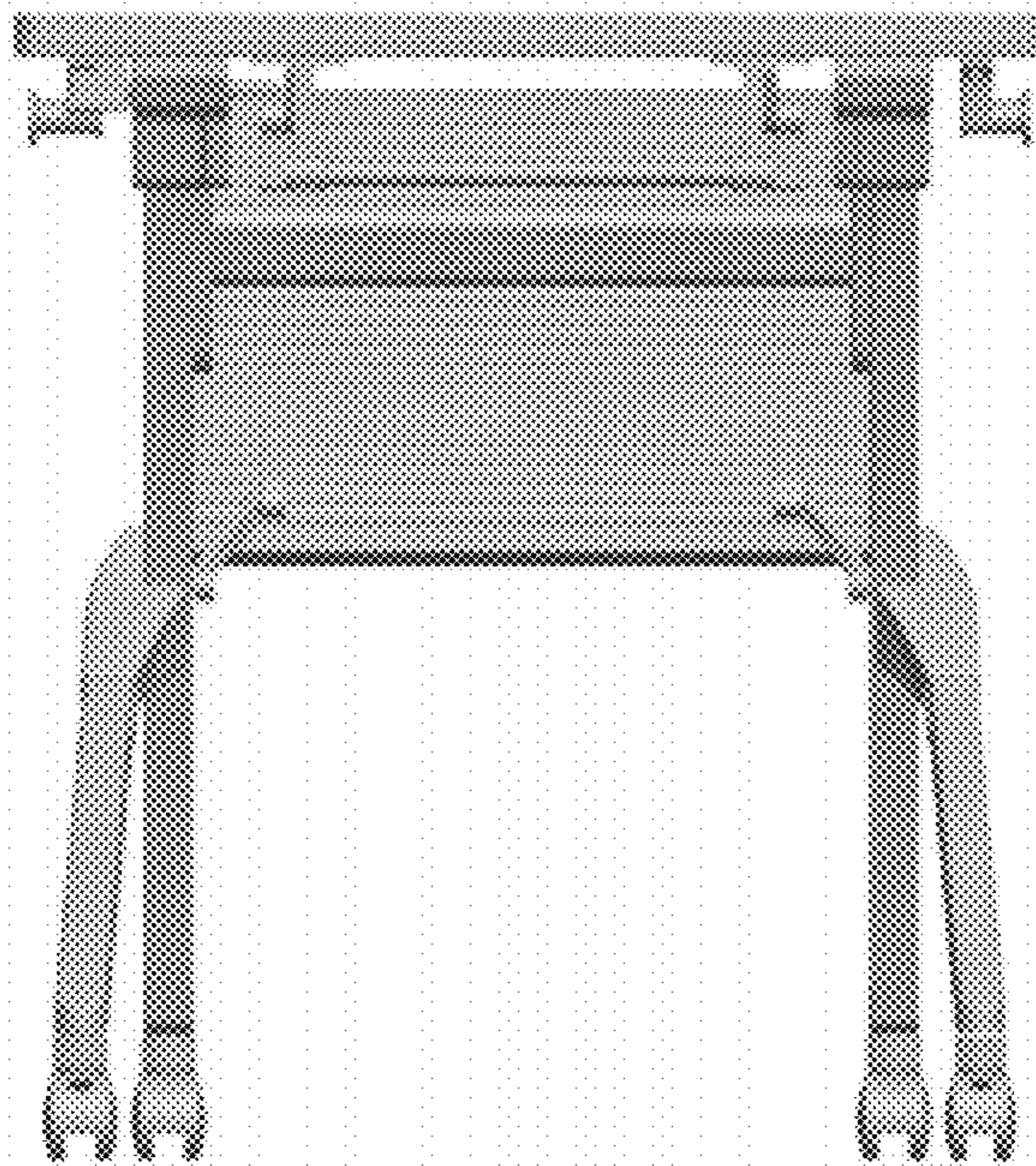




FIG. 8

