



US00D676685S

(12) **United States Design Patent**
Dobelbower

(10) **Patent No.:** **US D676,685 S**

(45) **Date of Patent:** **** Feb. 26, 2013**

(54) **ROTATING STORAGE RACK ASSEMBLY**

(76) Inventor: **Peter Dobelbower**, Edmond, OK (US)

(**) Term: **14 Years**

(21) Appl. No.: **29/415,357**

(22) Filed: **Mar. 9, 2012**

(51) **LOC (9) Cl.** **06-04**

(52) **U.S. Cl.** **D6/456**

(58) **Field of Classification Search** D6/456,
D6/397, 449, 450, 467, 396, 511; 211/164,
211/131.2; 415/1; 414/426; D30/124; 472/13;
119/57.8

See application file for complete search history.

(56) **References Cited**

U.S. PATENT DOCUMENTS

125,928	A	4/1872	Blake	
141,064	A *	7/1873	McMahon	211/164
380,897	A	4/1888	Jewell	
518,526	A	4/1894	Jewett	
1,269,825	A	6/1918	Langdon	
1,552,290	A *	9/1925	Fowler	211/131.2
1,893,552	A	1/1933	King	
1,920,663	A	8/1933	Palmer	
2,138,190	A	11/1938	Myers	
2,646,891	A	7/1953	Morgan	
3,038,773	A	6/1962	Vasbinder, Sr.	
D225,870	S *	1/1973	Morgison	D6/456
3,732,829	A	5/1973	Bech	
D239,685	S *	4/1976	Peterson	D6/456
4,303,283	A	12/1981	Mueller	
4,960,275	A *	10/1990	Magon	472/13
5,160,053	A	11/1992	Graham et al.	
5,167,330	A	12/1992	Kveene	
5,248,049	A *	9/1993	Murphy, Sr.	211/164
5,269,232	A	12/1993	de Lasada	

5,372,474	A *	12/1994	Miller	415/1
5,924,580	A	7/1999	Chase	
D471,326	S *	3/2003	Weiser et al.	D30/124
6,557,491	B1 *	5/2003	Weiser et al.	119/57.8
D494,775	S *	8/2004	Birmingham	D6/456
D508,349	S *	8/2005	Wu	D6/456
D511,867	S *	11/2005	Weiser et al.	D30/124
7,985,043	B2 *	7/2011	Cook	414/426

OTHER PUBLICATIONS

Web page at <http://www.oldethompson.com/store/viewProduct.asp?Product=554>, "20 Jar Ferris Wheel Spice Rack" (2006).

* cited by examiner

Primary Examiner — Philip S Hyder

Assistant Examiner — Sydney Buffalow

(74) *Attorney, Agent, or Firm* — McAfee & Taft

(57) **CLAIM**

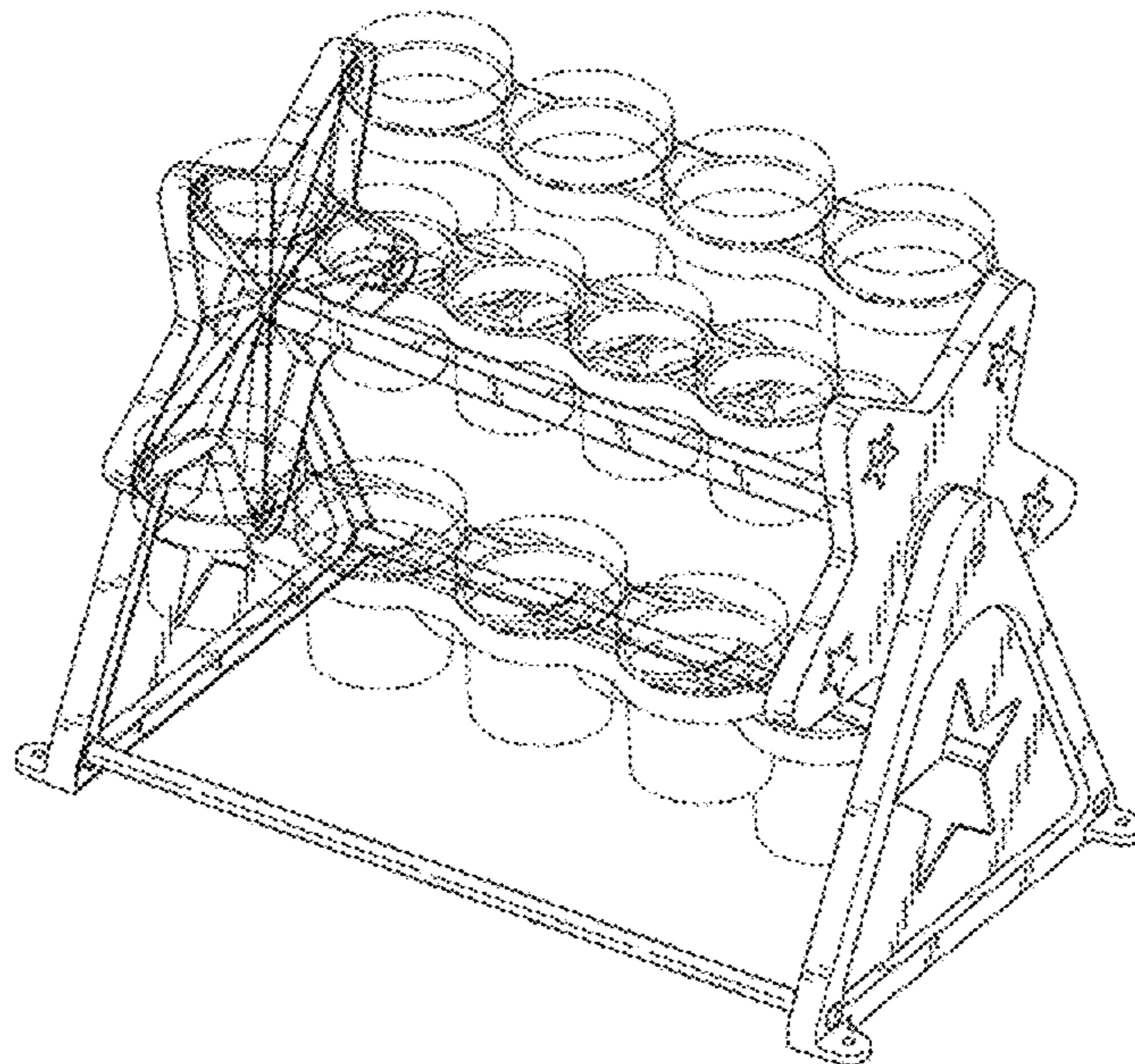
The ornamental design for a rotating storage rack assembly, as shown and described.

DESCRIPTION

FIG. 1 is a front perspective view of a rotating storage rack assembly according to an embodiment of my new design; FIG. 2 is a front elevational view thereof; FIG. 3 is a rear elevational view thereof; FIG. 4 is a left side elevation view thereof; and FIG. 5 is a right side elevational view thereof. FIG. 6 is a top plan view thereof; and, FIG. 7 is a bottom plan view thereof.

The broken lines shown herein are for illustrative purposes only and form no part of the claimed design.

1 Claim, 4 Drawing Sheets



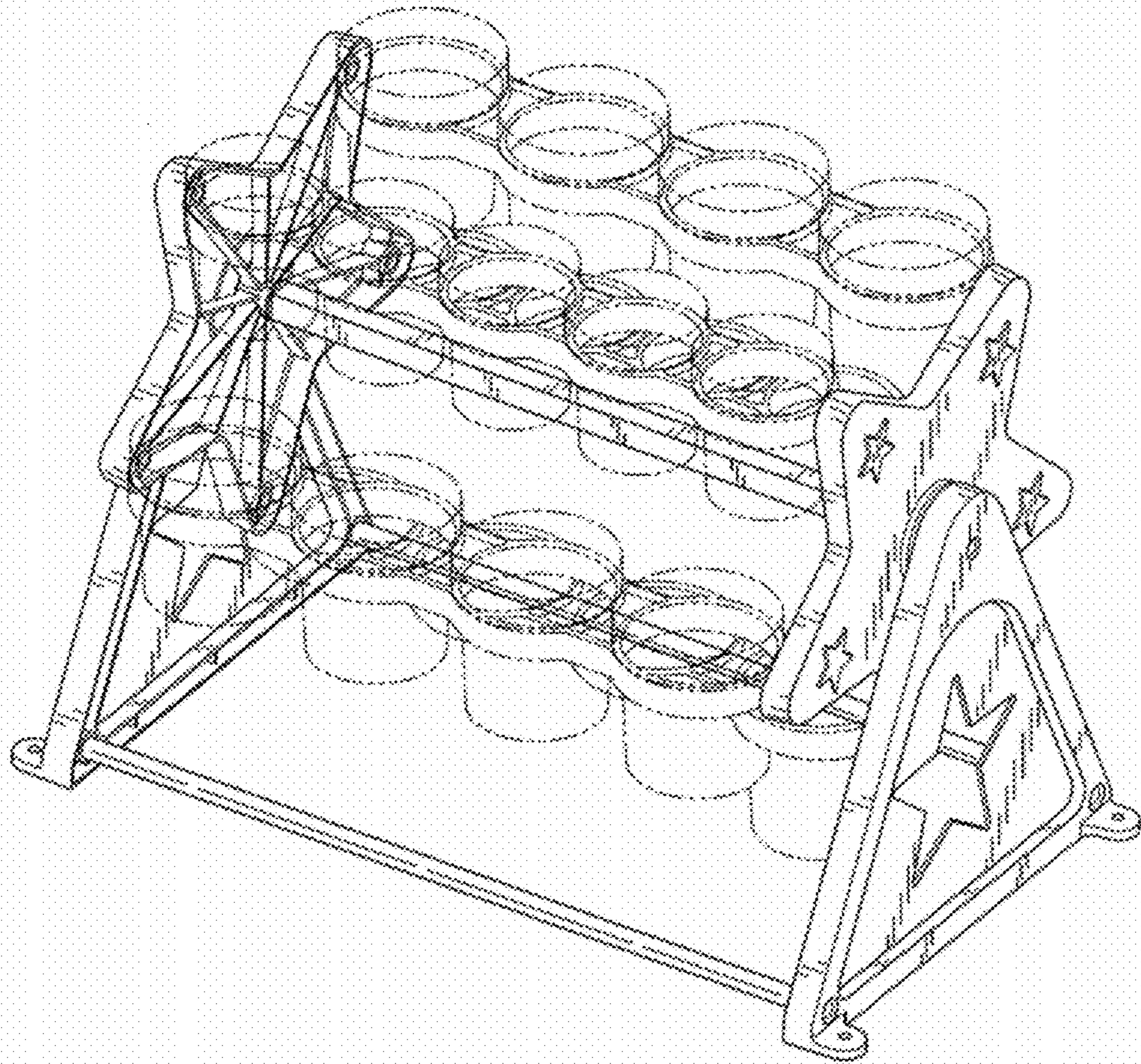


FIG. 1

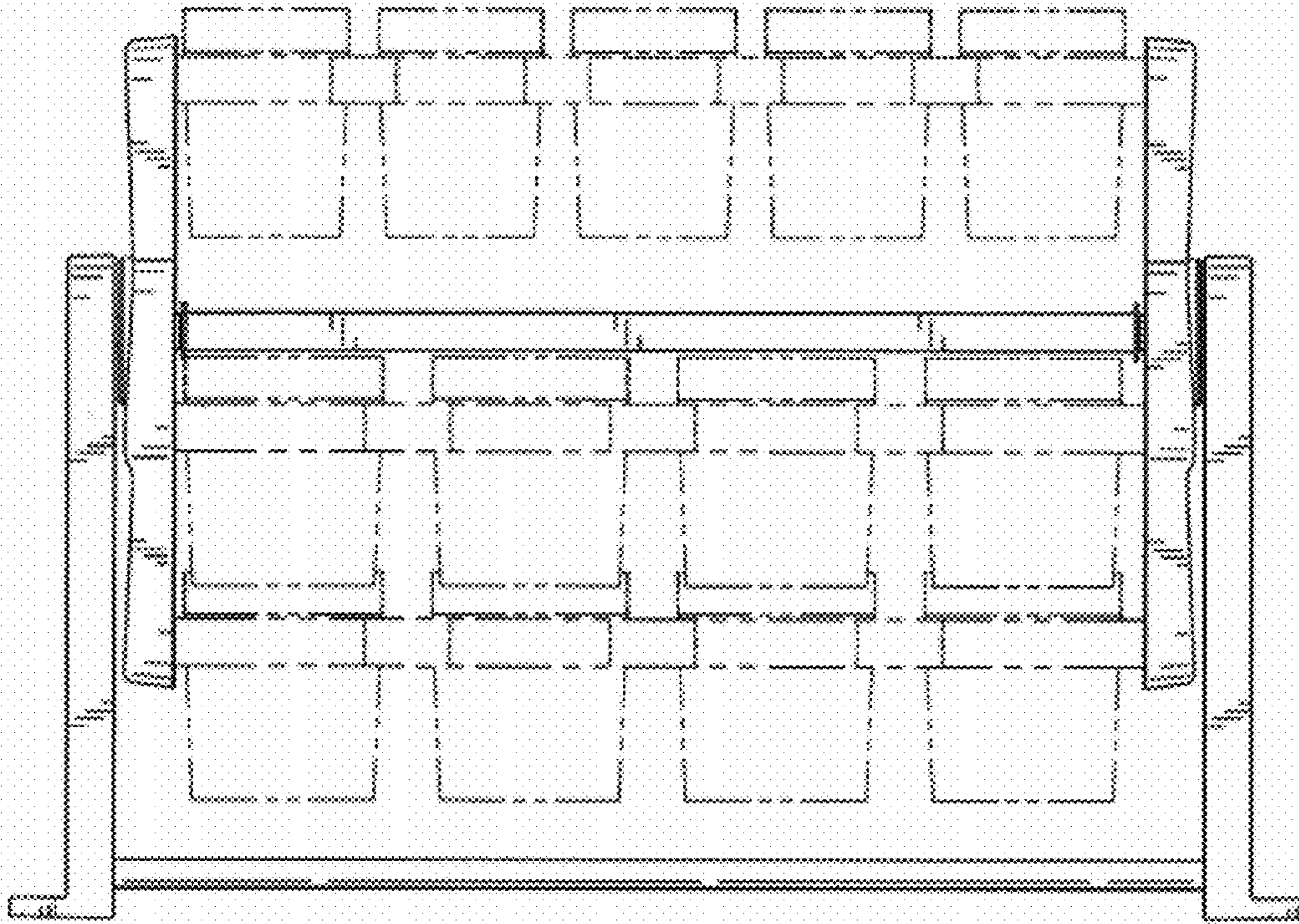


FIG. 2

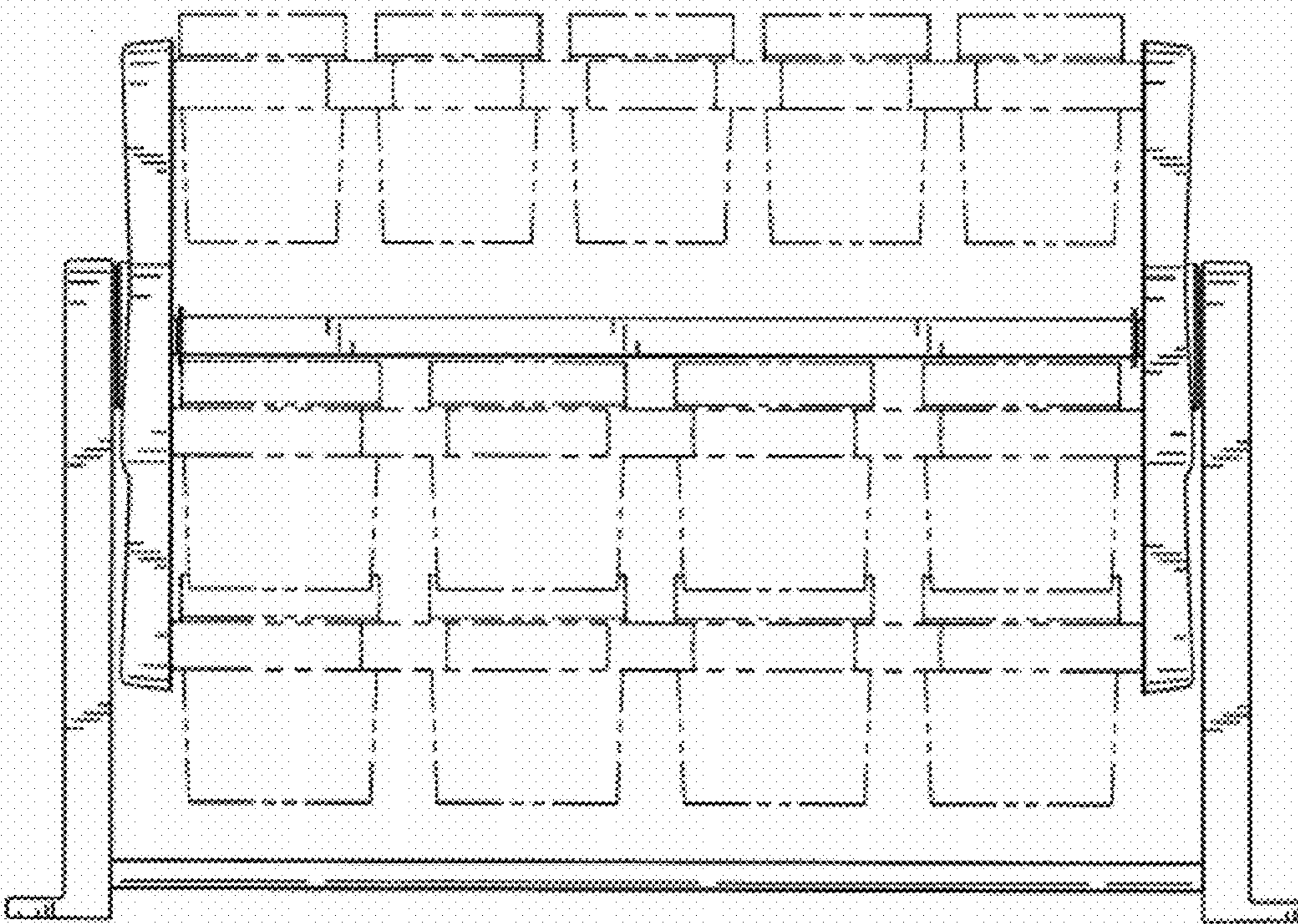


FIG. 3

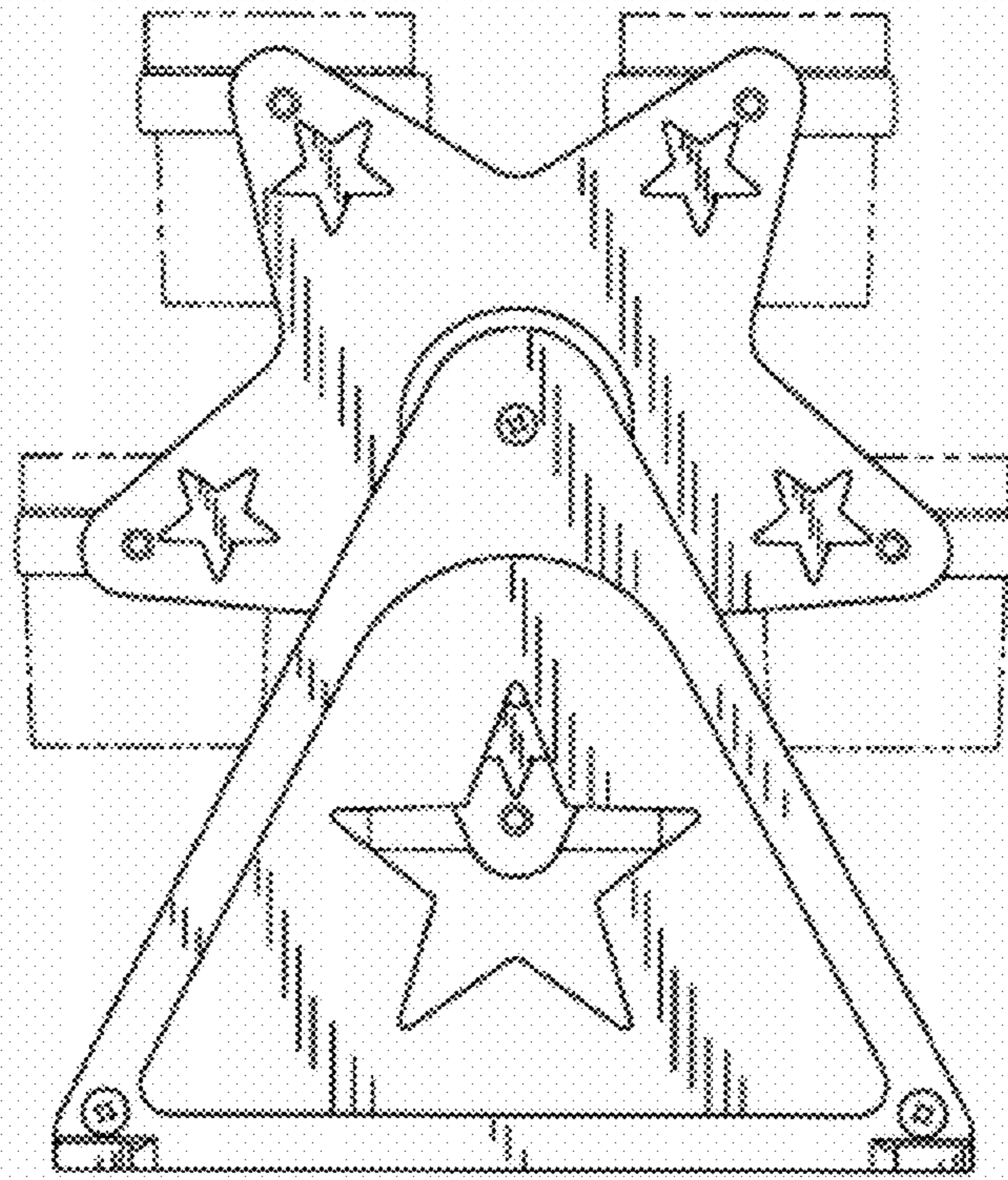


FIG. 4

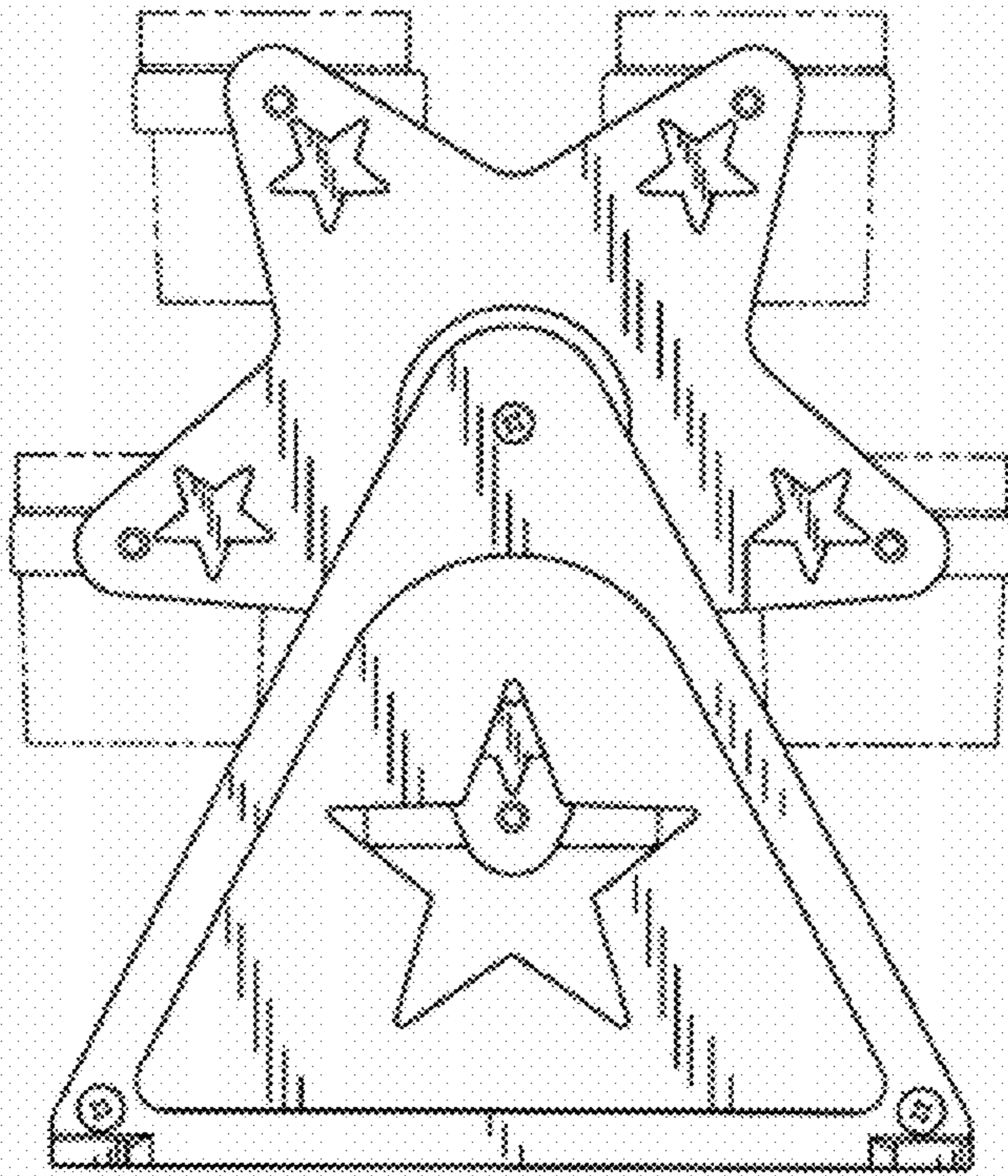


FIG. 5

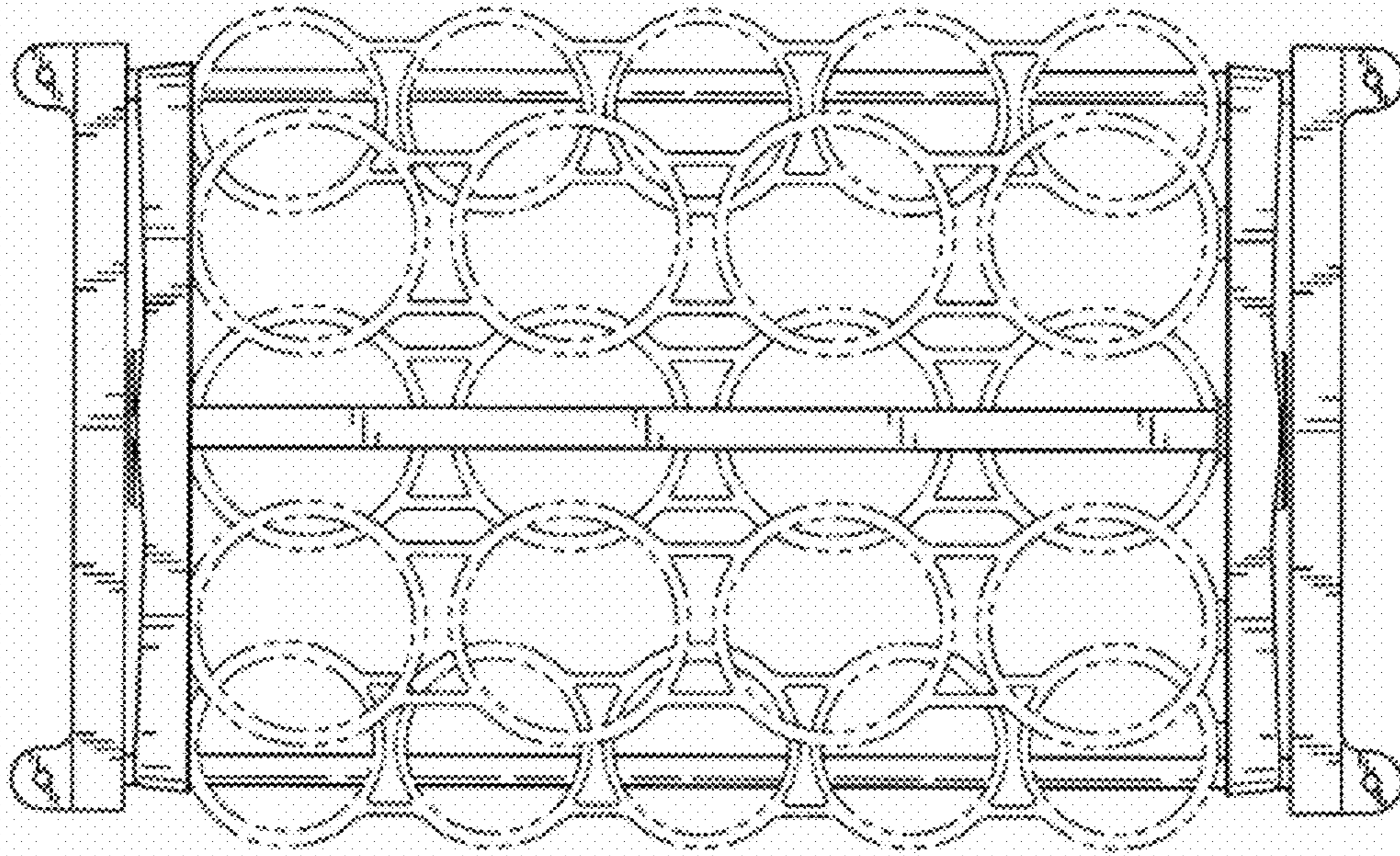


FIG. 1

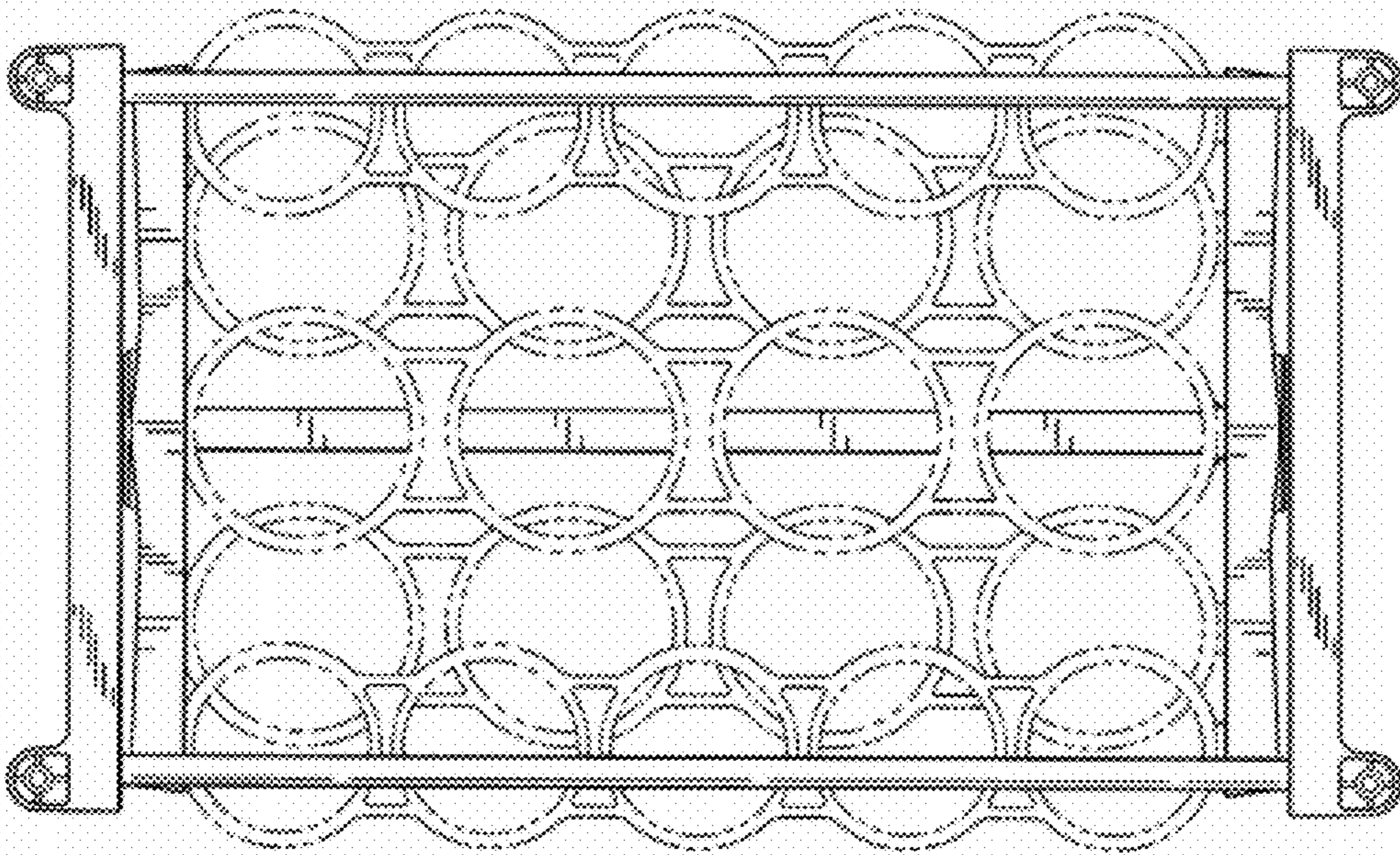


FIG. 2