



US00D676684S

(12) **United States Design Patent**
Marsh

(10) **Patent No.:** **US D676,684 S**

(45) **Date of Patent:** **** Feb. 26, 2013**

(54) **PALLET SKIRT DISPLAY SYSTEM**

(75) Inventor: **Craig S. Marsh**, High Point, NC (US)

(73) Assignee: **Carolina Container Company**, High Point, NC (US)

(**) Term: **14 Years**

(21) Appl. No.: **29/368,678**

(22) Filed: **Aug. 26, 2010**

(51) **LOC (9) Cl.** **06-07**

(52) **U.S. Cl.** **D6/449**

(58) **Field of Classification Search** D6/449,
D6/396, 397; 211/49.1, 134, 59.2, 40-42;
119/496; D34/1

See application file for complete search history.

(56) **References Cited**

U.S. PATENT DOCUMENTS

D340,559	S	*	10/1993	Taylor	D34/1
5,383,408	A		1/1995	Searcy	108/51.1
5,704,488	A		1/1998	Smith	206/598
5,979,364	A	*	11/1999	Ricketts	119/496
6,012,581	A		1/2000	Galazzo	206/499
6,267,255	B1		7/2001	Brush	211/59.4
6,942,102	B2		9/2005	Justice	206/746
D522,769	S	*	6/2006	Davis	D6/397
7,080,736	B2		7/2006	Jackson et al.	206/738
7,182,305	B2		2/2007	Dempsey	248/459
7,861,865	B2		1/2011	Green	206/600
8,056,727	B1		11/2011	Marsh	206/600
2010/0012000	A1		1/2010	Gordon	108/56.3

OTHER PUBLICATIONS

Corrugated Today, Banishing The "Irritable Diecut" 4 pps, Sep./Oct. 2006.

H.S. Boyd Product Guide, 4 pps, undated related material.

* cited by examiner

Primary Examiner — Philip S Hyder

Assistant Examiner — Sydney Buffalow

(74) *Attorney, Agent, or Firm* — MacCord Mason PLLC

(57) **CLAIM**

The ornamental design for a pallet skirt display system, as shown and described.

DESCRIPTION

FIG. 1 illustrates a perspective view of an expandable pallet skirt (pallet skirt display system) in a storage or shipping configuration. The pallet skirt display system is resting on a plurality of pallets that form no part of the claimed design. The pallet skirt display system is interfaced with a removable shipper-cover that forms no part of the claimed design.

FIG. 2 illustrates a perspective view of the pallet skirt display system, wherein the removable shipper-cover illustrated in FIG. 1 has been removed. Racks, goods positioned within racks, and corner stabilizers form no part of the claimed design.

FIG. 3 illustrates a perspective view of the pallet skirt display system, wherein the flaps of the pallet skirt display system are folded downwardly to facilitate an alternate ornamental display configuration. The corner stabilizers shown in FIG. 2 have been removed.

FIG. 4 illustrates a perspective view of the pallet skirt display system in the ornamental display configuration.

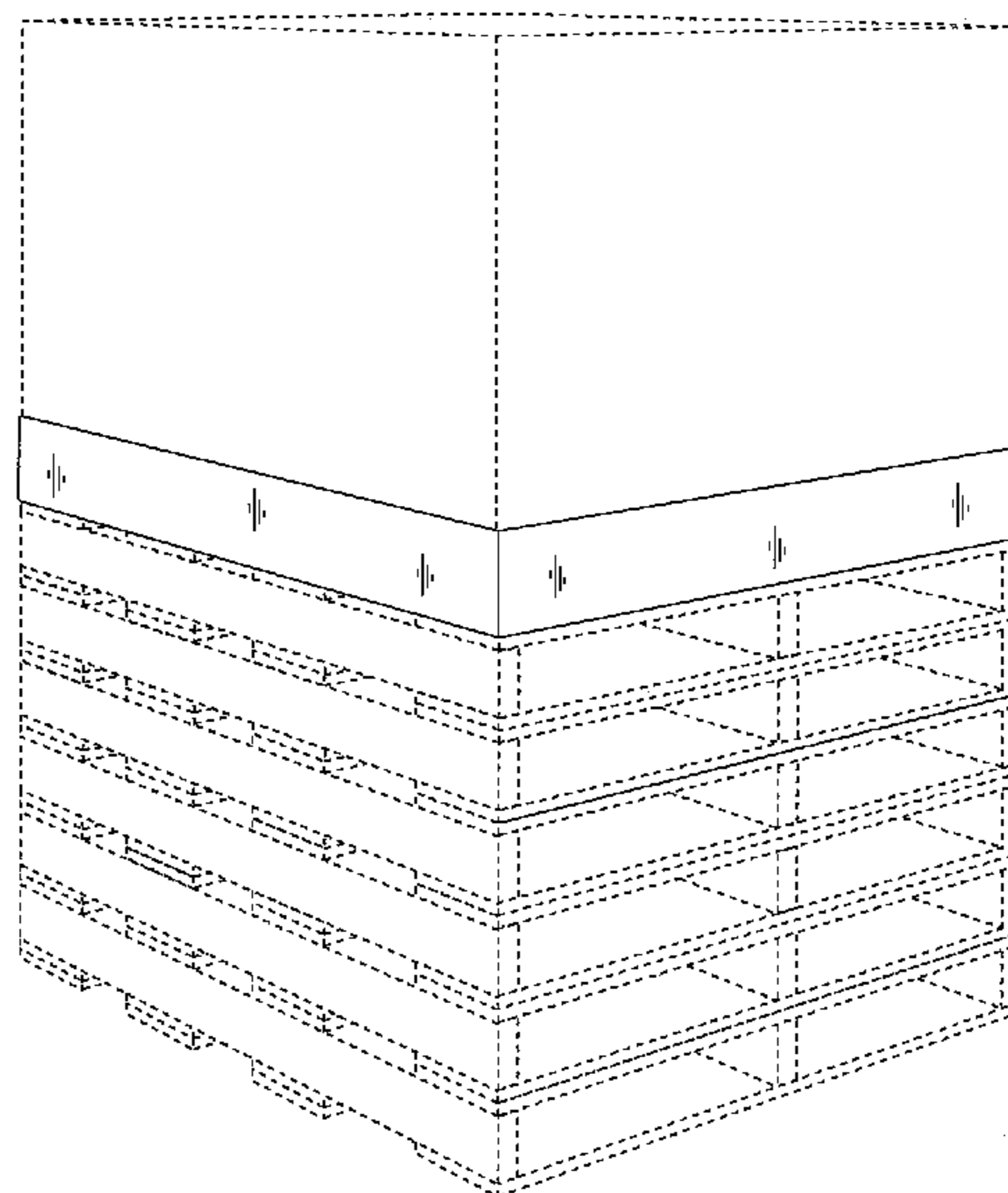
FIG. 5 illustrates a perspective view of the pallet skirt display system in the ornamental display configuration with goods removed.

FIG. 6 illustrates a close-up perspective view of a convertible shelf and corner flap of the pallet skirt display system.

FIG. 7 illustrates a front or side view of the pallet skirt display system. Back and opposite side views are substantially identical and have been omitted; and,

FIG. 8 illustrates a top view of the pallet skirt display system.

1 Claim, 8 Drawing Sheets



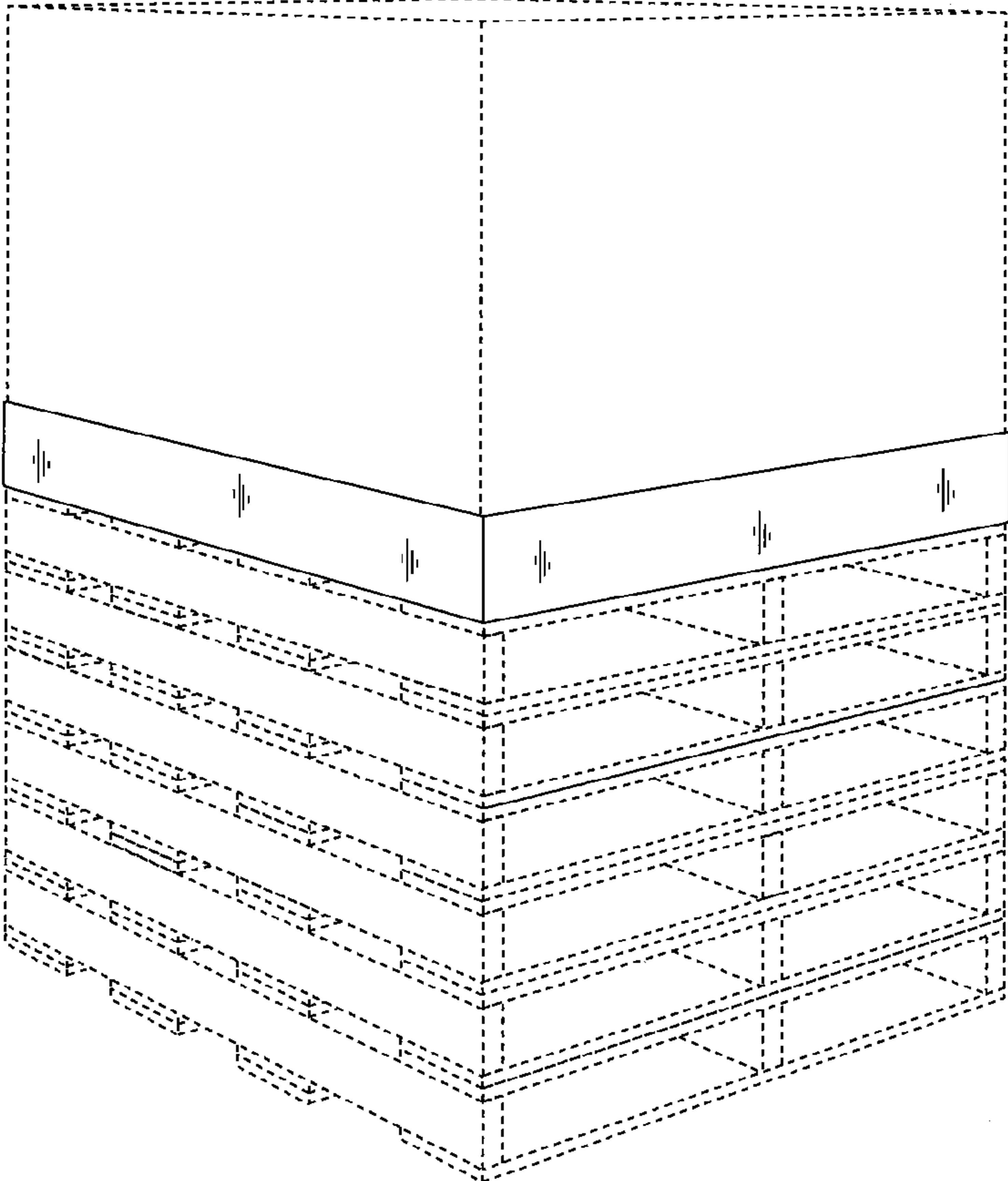


FIG. 1

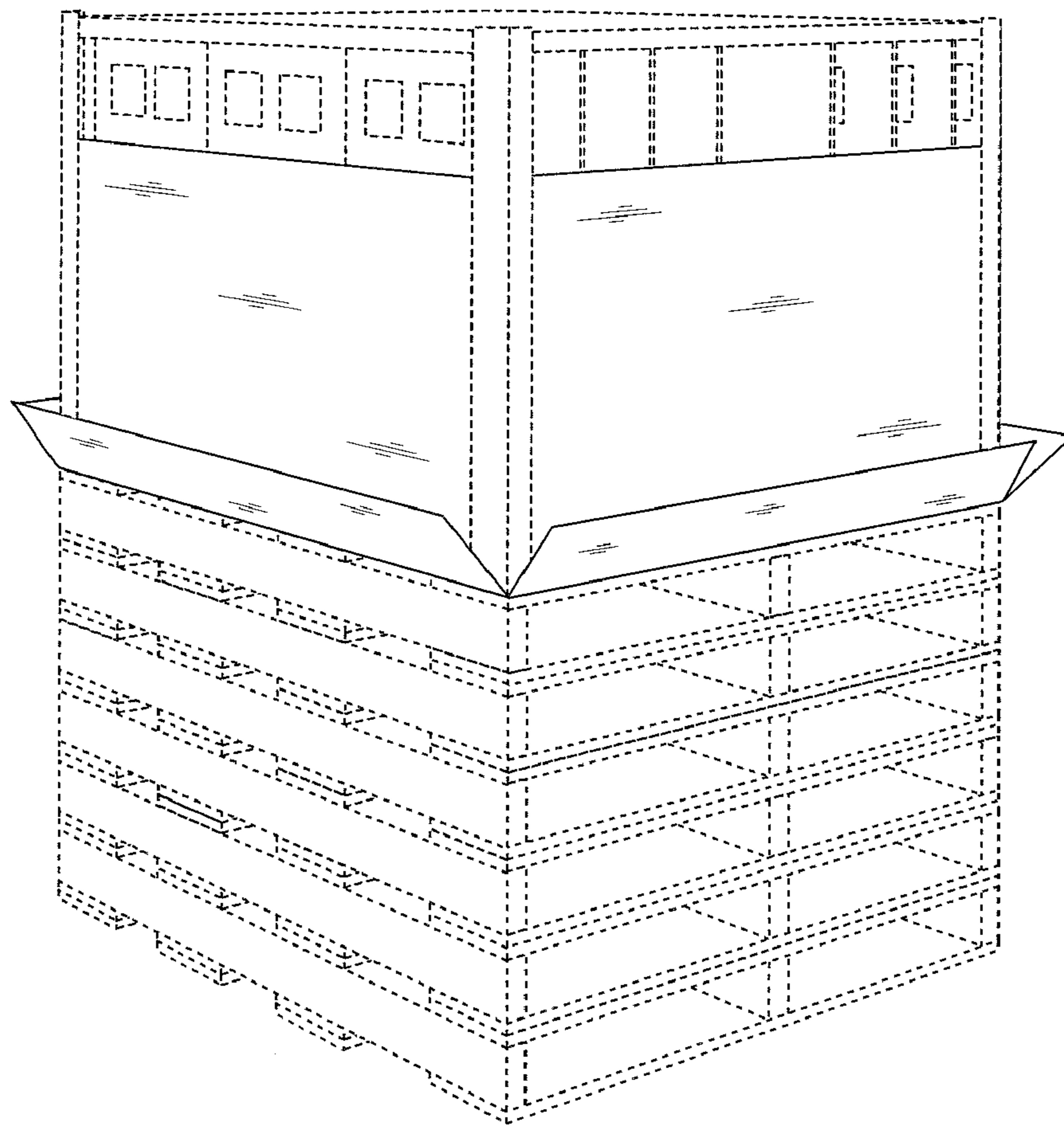


FIG. 2

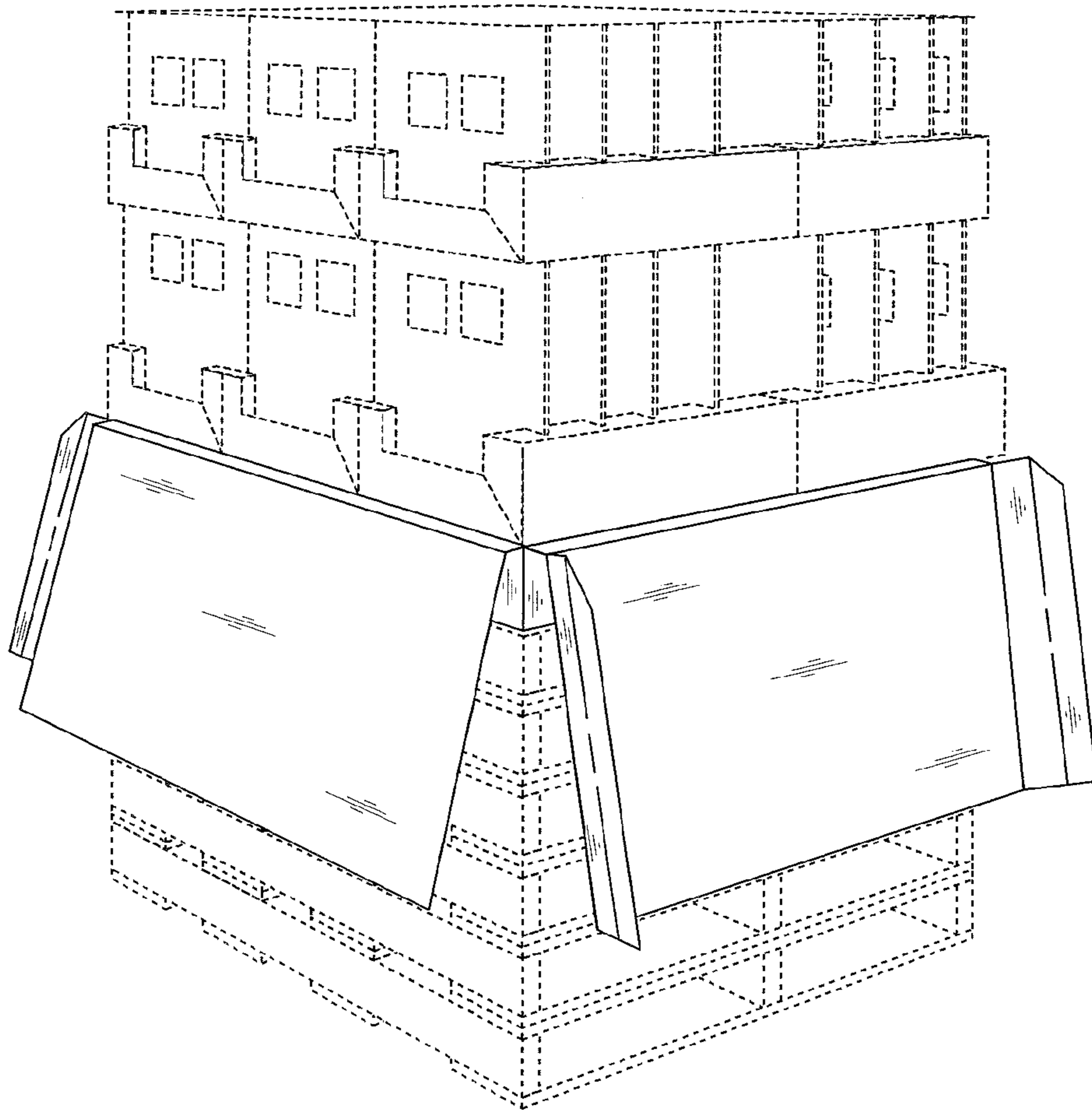


FIG. 3

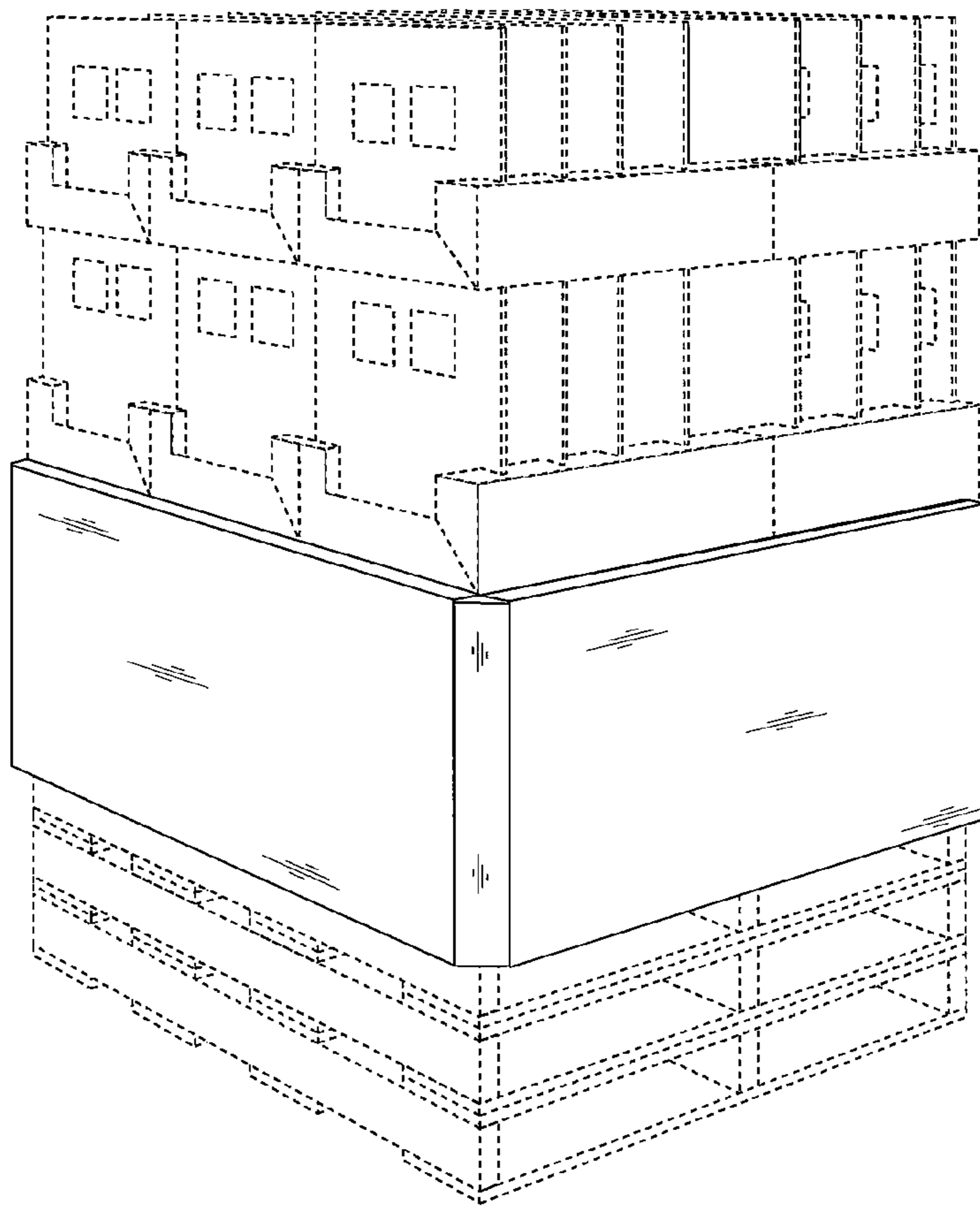


FIG. 4

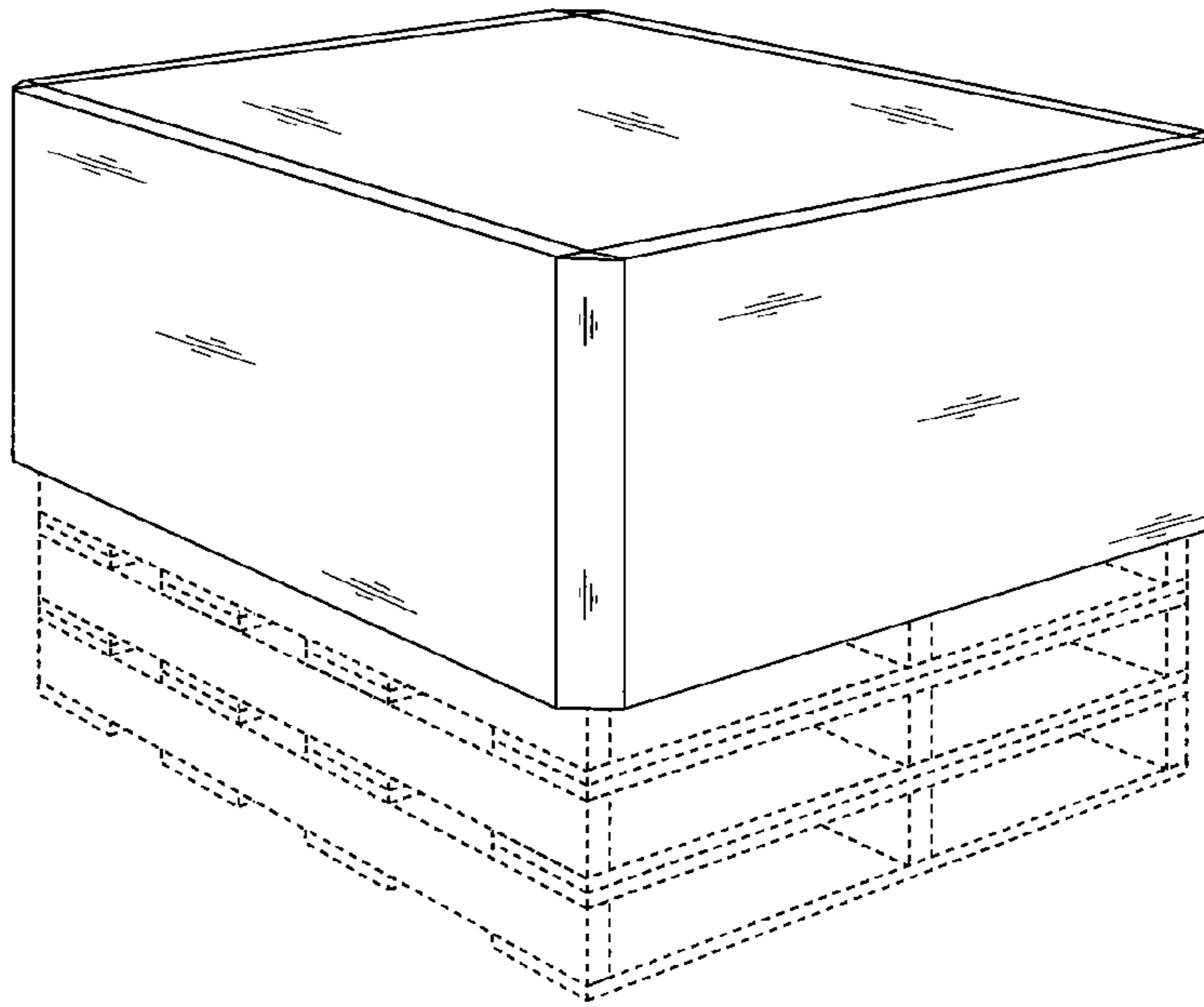


FIG. 5

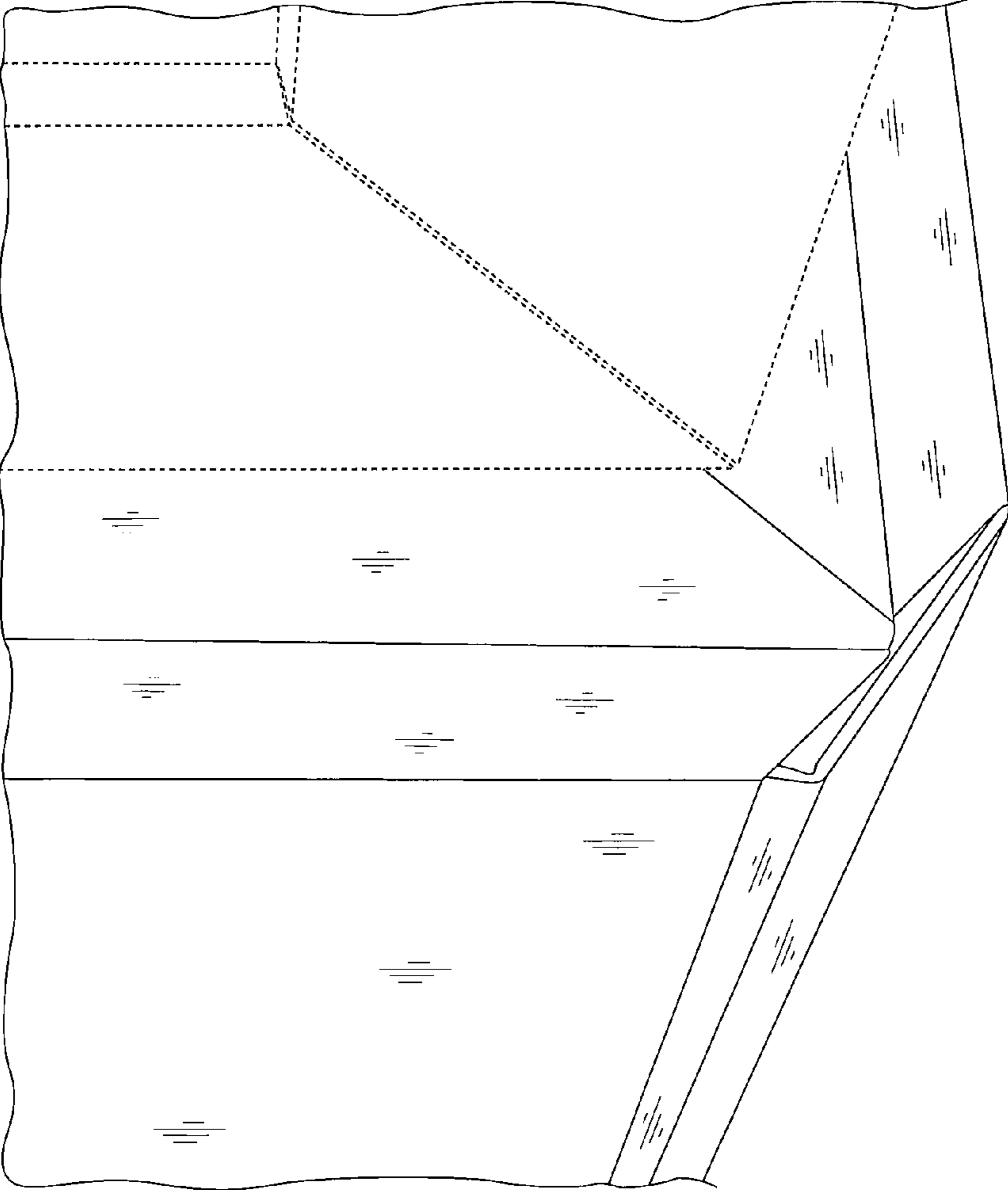


FIG. 6

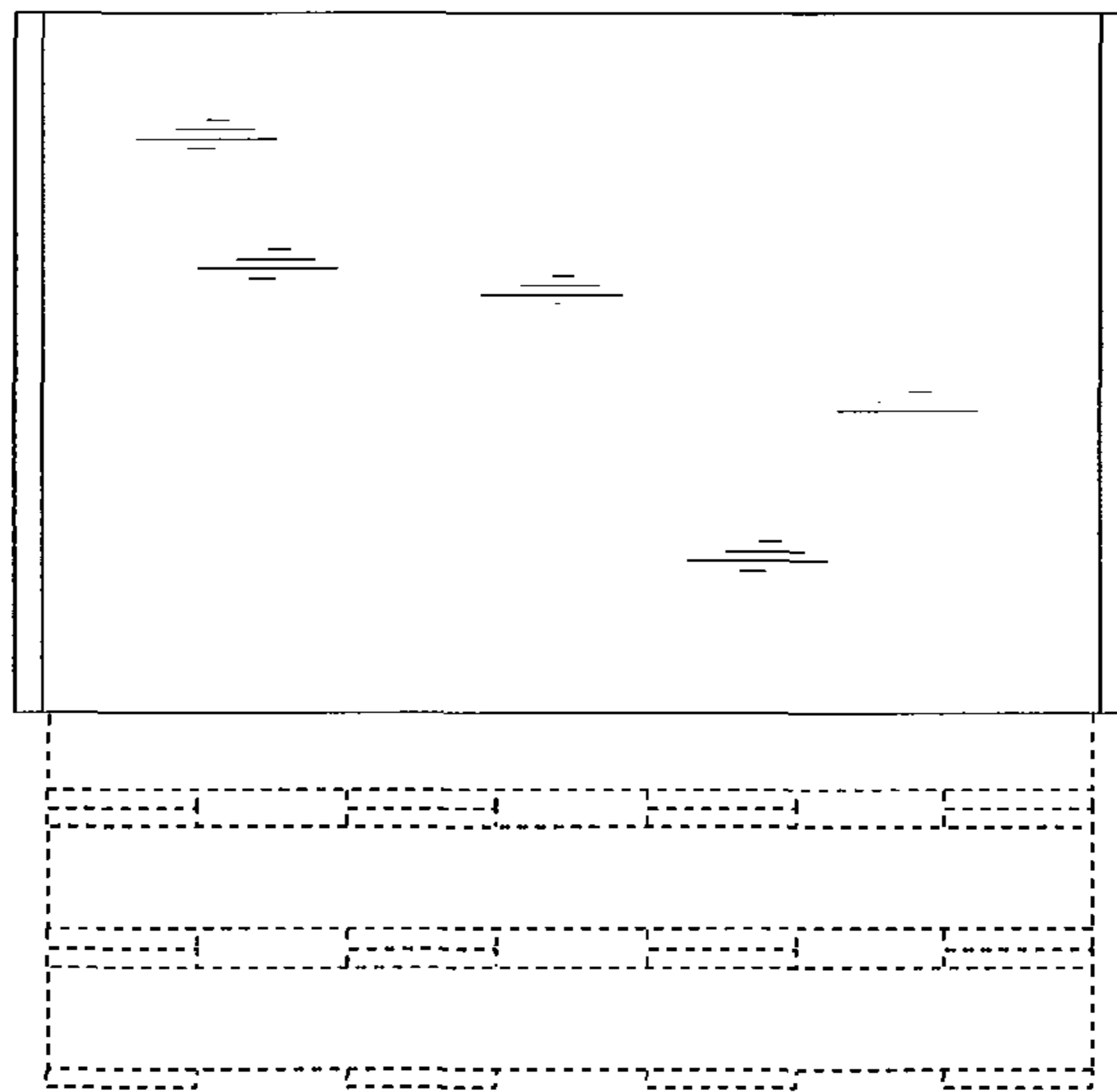


FIG. 7

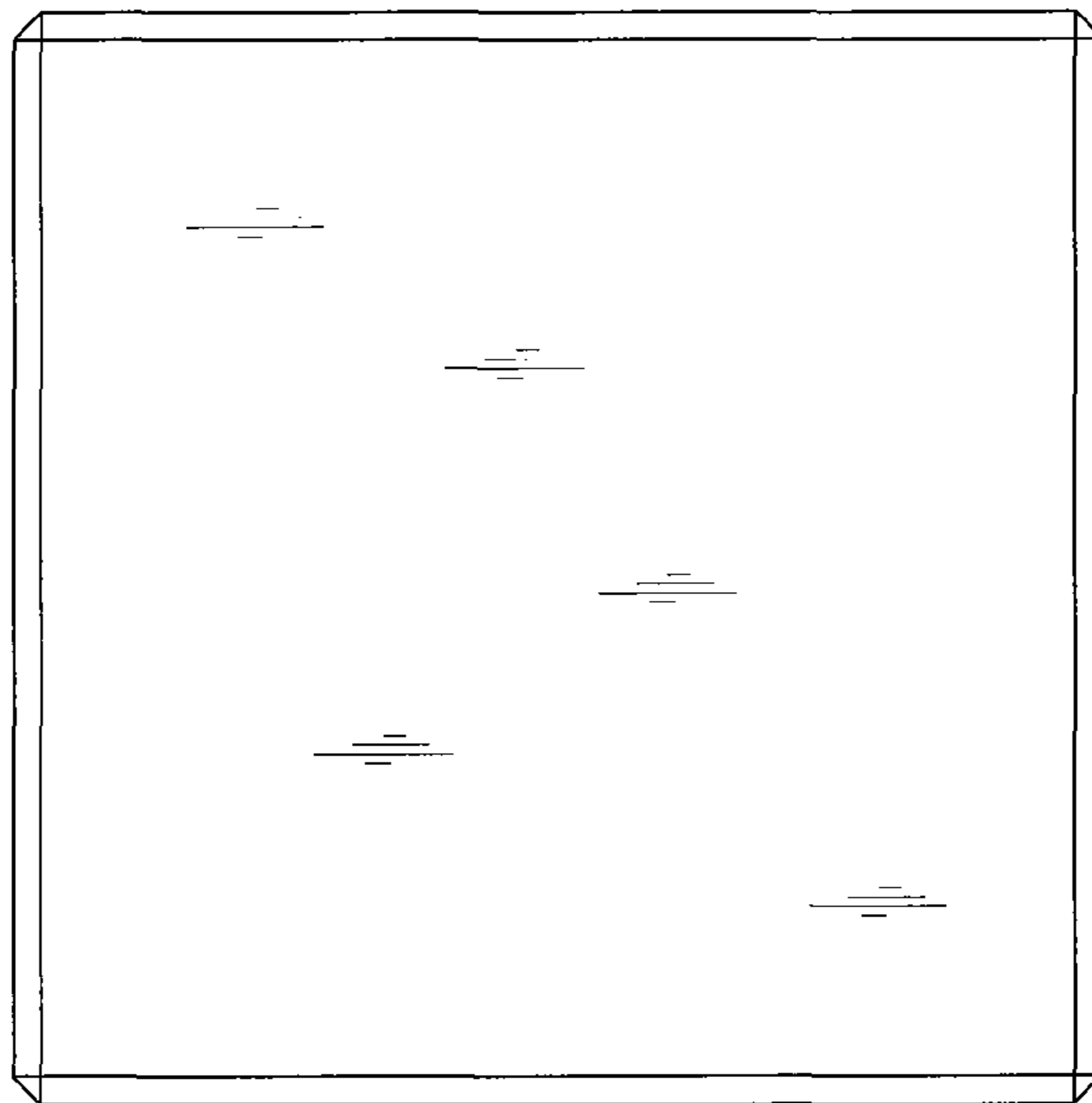


FIG. 8