



US00D676683S

(12) **United States Design Patent**
Martin et al.

(10) **Patent No.:** **US D676,683 S**
(45) **Date of Patent:** **** Feb. 26, 2013**

(54) **SEAT**
(75) Inventors: **Kirt Martin**, Alto, MI (US); **Mark William Schoolmeester**, Grand Rapids, MI (US)
(73) Assignee: **Steelcase Inc.**, Grand Rapids, MI (US)
(**) Term: **14 Years**
(21) Appl. No.: **29/390,324**
(22) Filed: **Apr. 22, 2011**
(51) **LOC (9) Cl.** **06-01**
(52) **U.S. Cl.** **D6/381**
(58) **Field of Classification Search** D6/334–338, D6/349, 355, 361, 368–370, 376, 379–381, D6/492, 500–502; 297/16.1, 42, 94, 135, 297/175, 232, 233, 350, 351, 445.1, 448.1, 297/448.2, 451.9; 5/12.1, 12.2
See application file for complete search history.

D367,364 S 2/1996 Lewis
D368,177 S 3/1996 Mourgue
D375,845 S 11/1996 Mourgue
D378,028 S 2/1997 Schefcik
D380,095 S 6/1997 Diaz-Azcuy
D381,216 S 7/1997 Paus
D382,123 S 8/1997 Pimental et al.
D382,129 S * 8/1997 Lewis D6/381
D392,470 S 3/1998 Smith
D392,775 S 3/1998 McMahon
D399,661 S 10/1998 Smith
D410,800 S 6/1999 Gomez
D423,808 S 5/2000 Natuzzi et al.
D429,081 S 8/2000 Gomez
D431,122 S * 9/2000 Koncar D6/381
D432,807 S 10/2000 Gollinucci
D439,431 S * 3/2001 Binder et al. D6/381
D441,978 S * 5/2001 Hutton D6/381
D446,039 S 8/2001 Gomez

(Continued)

OTHER PUBLICATIONS

U.S. Appl. No. 29/390,323, filed Apr. 22, 2011.

(Continued)

Primary Examiner — Sandra Snapp
(74) *Attorney, Agent, or Firm* — Quarles & Brady LLP

(56) **References Cited**

U.S. PATENT DOCUMENTS

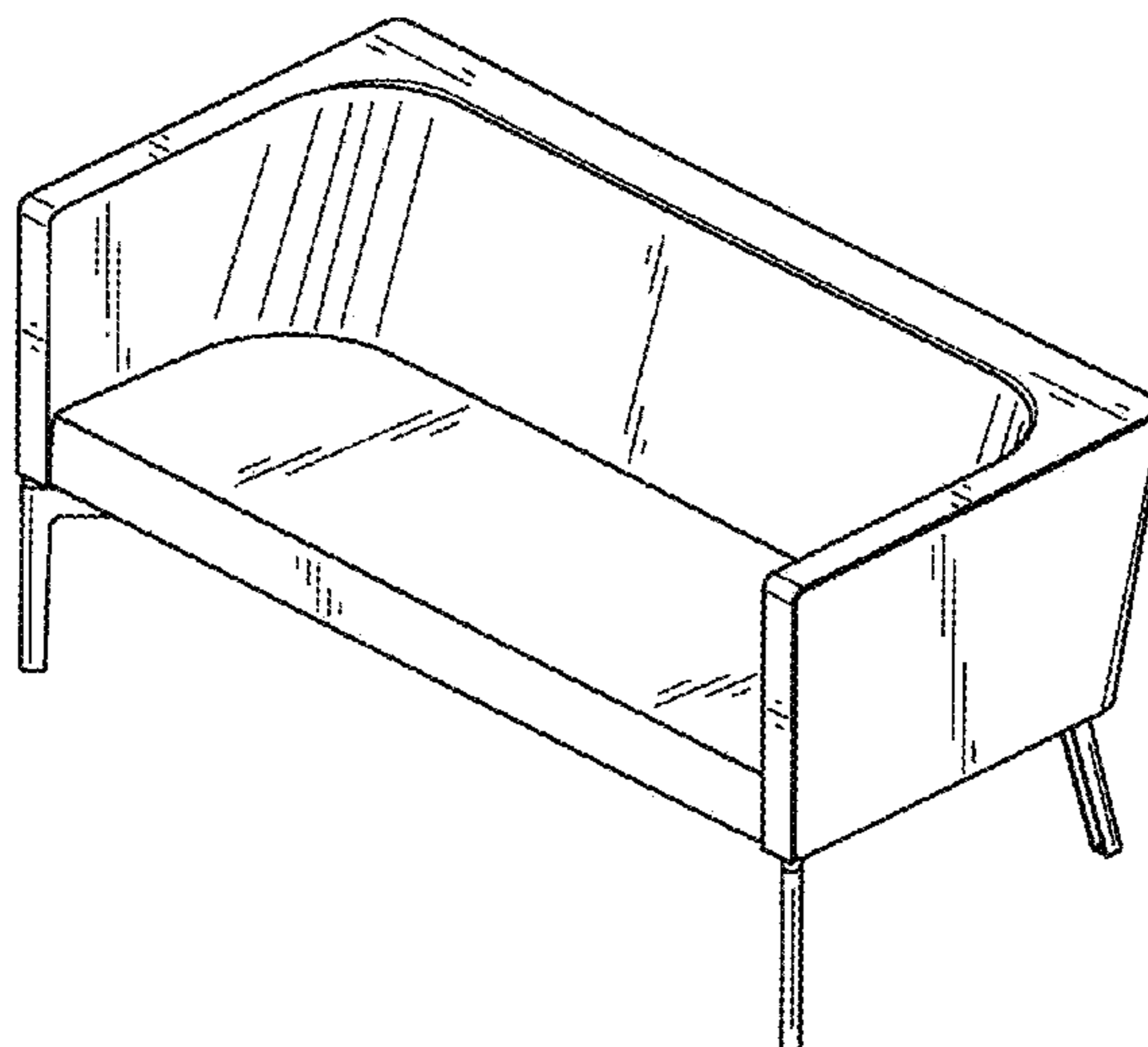
571,652 A 11/1896 Dodd
D103,416 S * 3/1937 Tyrell D6/381
3,438,676 A * 4/1969 Jeffrey 297/451.6
3,438,687 A 4/1969 Brosk
3,575,465 A 4/1971 Dolby et al.
D229,591 S * 12/1973 Trail D6/370
D239,424 S 4/1976 Offredi
D239,580 S * 4/1976 Robertson D6/381
D244,069 S * 4/1977 Summer D6/371
D245,950 S 10/1977 Mathur
D247,595 S 3/1978 Corson et al.
D252,487 S 7/1979 Petersville
D263,770 S 4/1982 Melchior
D283,855 S 5/1986 Kujawski
D288,748 S 3/1987 Klein
D303,327 S 9/1989 Masarotti
D303,328 S * 9/1989 Syme et al. D6/335
D321,435 S 11/1991 Scalisi et al.
D337,450 S 7/1993 Dettinger
D342,837 S 1/1994 Forcolini
D360,310 S 7/1995 Stamberg et al.

(57) **CLAIM**
The ornamental design for a seat, as shown and described.

DESCRIPTION

FIG. 1 is a right, top, front perspective view of a seat according to our new design, the bottom thereof being unseen in use; FIG. 2 is a top plan view thereof; FIG. 3 is a front elevational view thereof; FIG. 4 is a right side elevational view thereof, the left side elevational view thereof being a mirror image of the right side shown; and, FIG. 5 is a rear elevational view thereof.
The nature of this product is seating furniture, for example a chair, lounge, couch and the like.

1 Claim, 3 Drawing Sheets



US D676,683 S

Page 2

U.S. PATENT DOCUMENTS

D446,961 S * 8/2001 Natuzzi et al. D6/381
D448,946 S 10/2001 Goetz
D467,092 S 12/2002 Vu
D473,723 S 4/2003 Pessa
D479,055 S * 9/2003 Nicoletti D6/381
D480,883 S 10/2003 Williams et al.
D482,535 S 11/2003 Williams et al.
D485,086 S 1/2004 Gomez
D495,514 S 9/2004 Ricci
D495,518 S 9/2004 Ricci
D498,074 S 11/2004 Gomez
D501,330 S 2/2005 Gomez
D530,929 S 10/2006 Resterhouse et al.
D538,054 S 3/2007 Lissoni
D539,047 S 3/2007 Auberger

D546,570 S * 7/2007 Kreiss D6/334
D549,470 S 8/2007 Hutton
D554,387 S 11/2007 Nicoletti
D560,919 S * 2/2008 Simons, Jr. D6/381
D584,524 S 1/2009 Ricci
D584,900 S 1/2009 Hackethal et al.
D602,706 S 10/2009 Cramer et al.
D615,308 S 5/2010 Serra Sola et al.
D616,663 S 6/2010 Natuzzi
D617,112 S 6/2010 Tsai

OTHER PUBLICATIONS

U.S. Appl. No. 29/390,325, filed Apr. 22, 2011.
U.S. Appl. No. 29/390,326, filed Apr. 22, 2011.

* cited by examiner

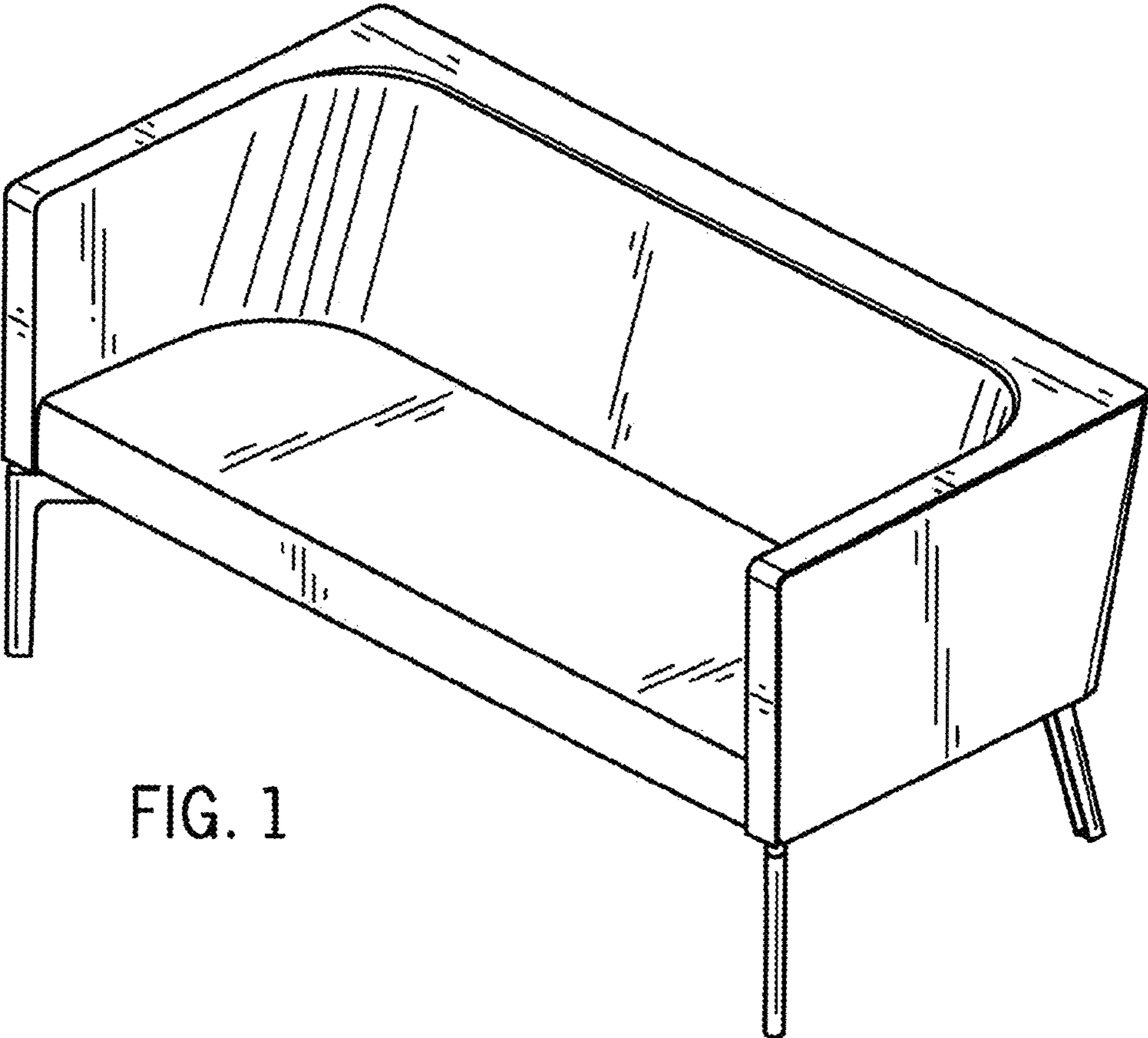


FIG. 1

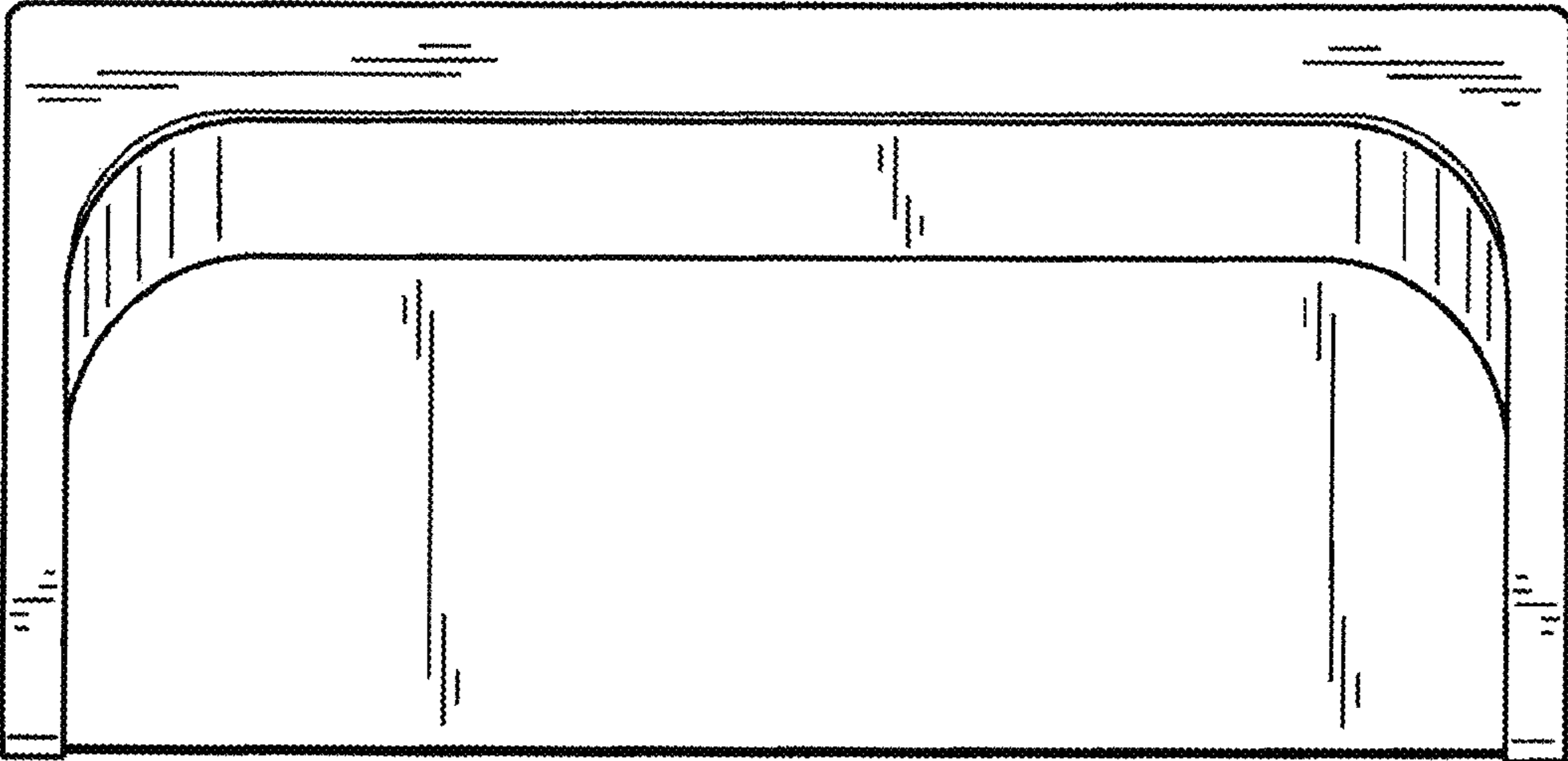


FIG. 2

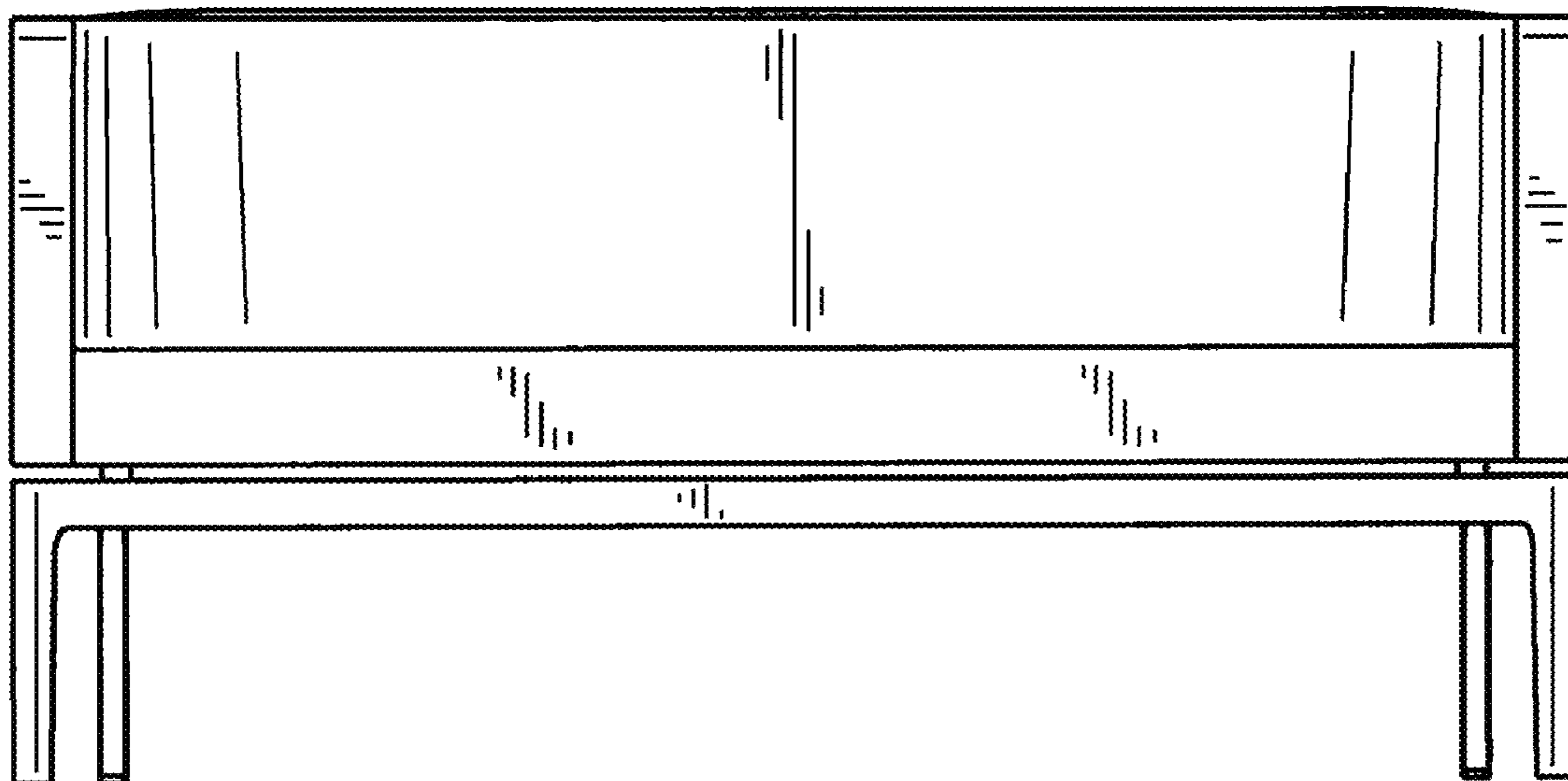


FIG. 3

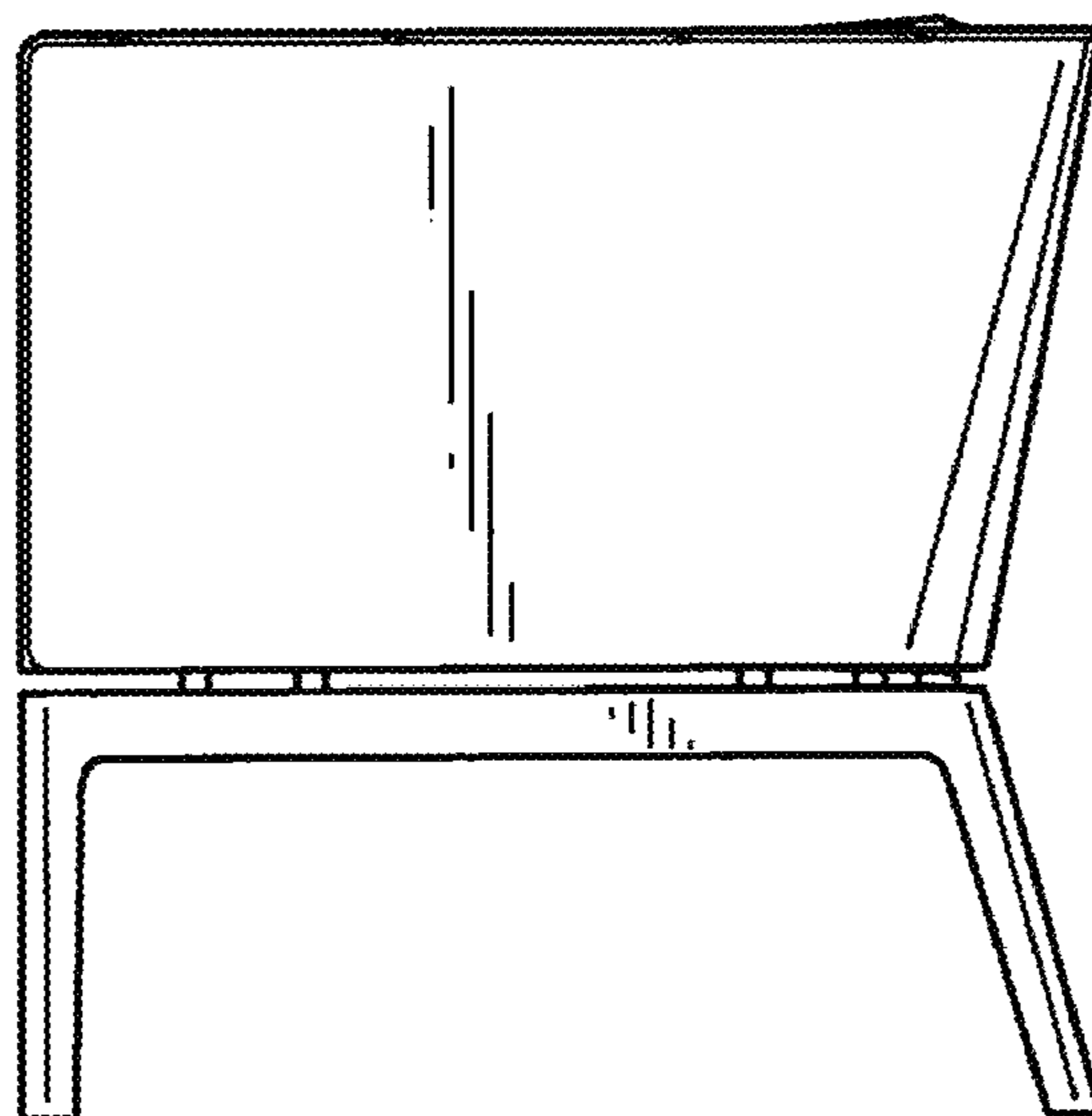


FIG. 4

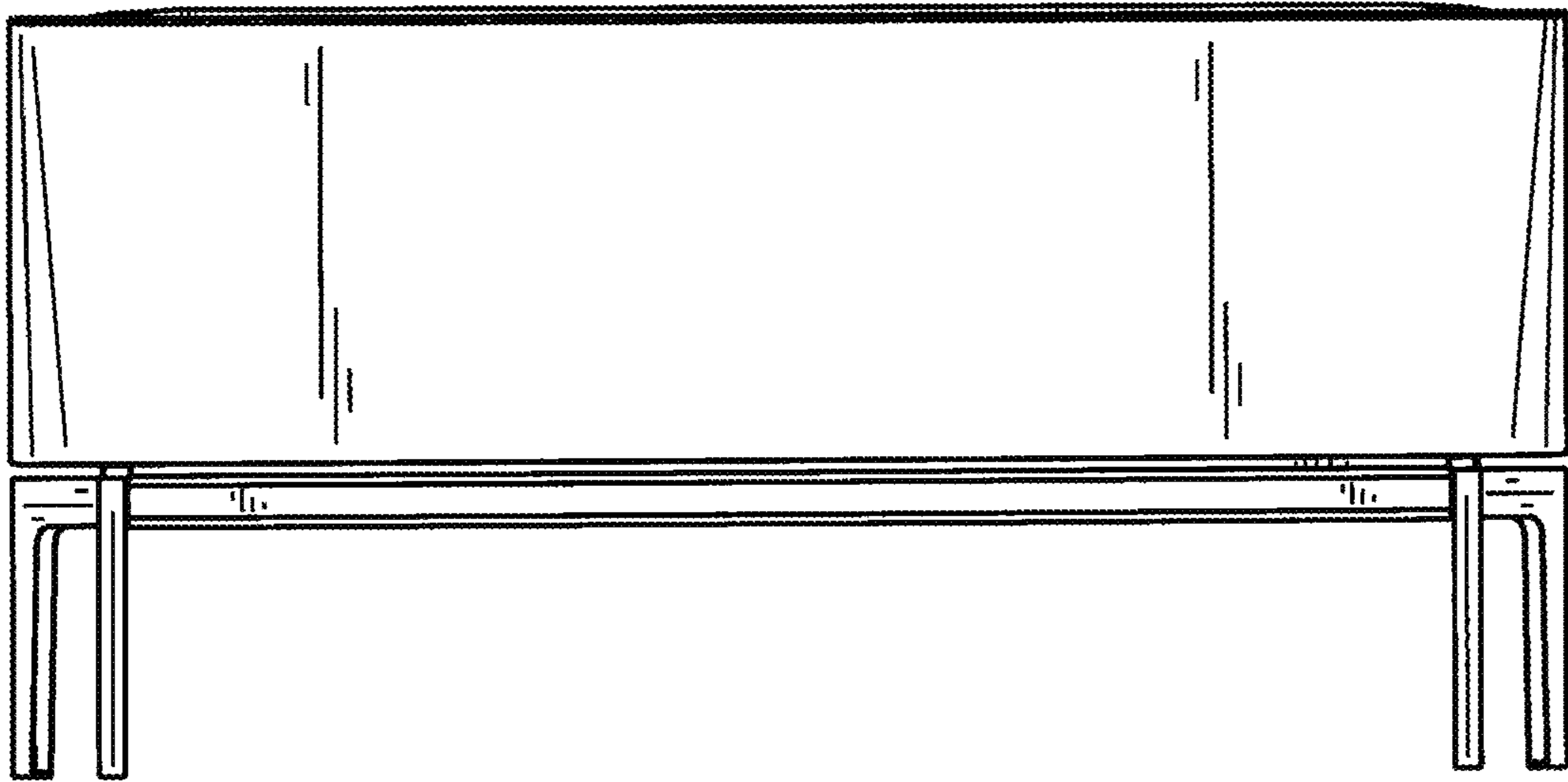


FIG. 5