

US00D676679S

(12) **United States Design Patent**
Cymbalski et al.

(10) **Patent No.:** **US D676,679 S**

(45) **Date of Patent:** **** *Feb. 26, 2013**

(54) **CHILD CAR SEAT**

(76) Inventors: **Brent Cymbalski**, Chesterfield, MI
(US); **Mitchell Prine**, West Palm Beach,
FL (US)

(*) Notice: This patent is subject to a terminal disclaimer.

(**) Term: **14 Years**

(21) Appl. No.: **29/385,254**

(22) Filed: **Feb. 10, 2011**

(51) **LOC (9) Cl.** **06-01**

(52) **U.S. Cl.** **D6/333**

(58) **Field of Classification Search** D6/333-335,
D6/339, 491, 500-502; D12/129; D21/412,
D21/419, 428; 280/30-31; 5/94, 98.1, 99.1,
5/101-102, 105, 655; 297/183.1-183.4,
297/184.13, 184.15, 184.17, 250.1, 255,
297/256.1, 219.12, 463.1

See application file for complete search history.

(56) **References Cited**

U.S. PATENT DOCUMENTS

D524,559 S * 7/2006 Cymbalski et al. D6/333
D604,054 S * 11/2009 Biaud D6/333

D632,099 S * 2/2011 Cymbalski et al. D6/333
D632,100 S * 2/2011 Cymbalski et al. D6/333
D632,501 S * 2/2011 Cymbalski et al. D6/333
7,942,478 B2 * 5/2011 Cymbalski et al. 297/250.1
D653,463 S * 2/2012 Hartenstine et al. D6/333
D655,925 S * 3/2012 Hartenstine et al. D6/333
D661,500 S * 6/2012 Hutchinson et al. D6/333

* cited by examiner

Primary Examiner — Caron D Veynar

Assistant Examiner — Abraham Bahta

(74) *Attorney, Agent, or Firm* — Steven B. Stein, Esq.

(57) **CLAIM**

The ornamental design for a child car seat, as shown.

DESCRIPTION

FIG. 1 is a front view of a child car seat showing our new design;

FIG. 2 is a side view thereof;

FIG. 3 is a rear view thereof;

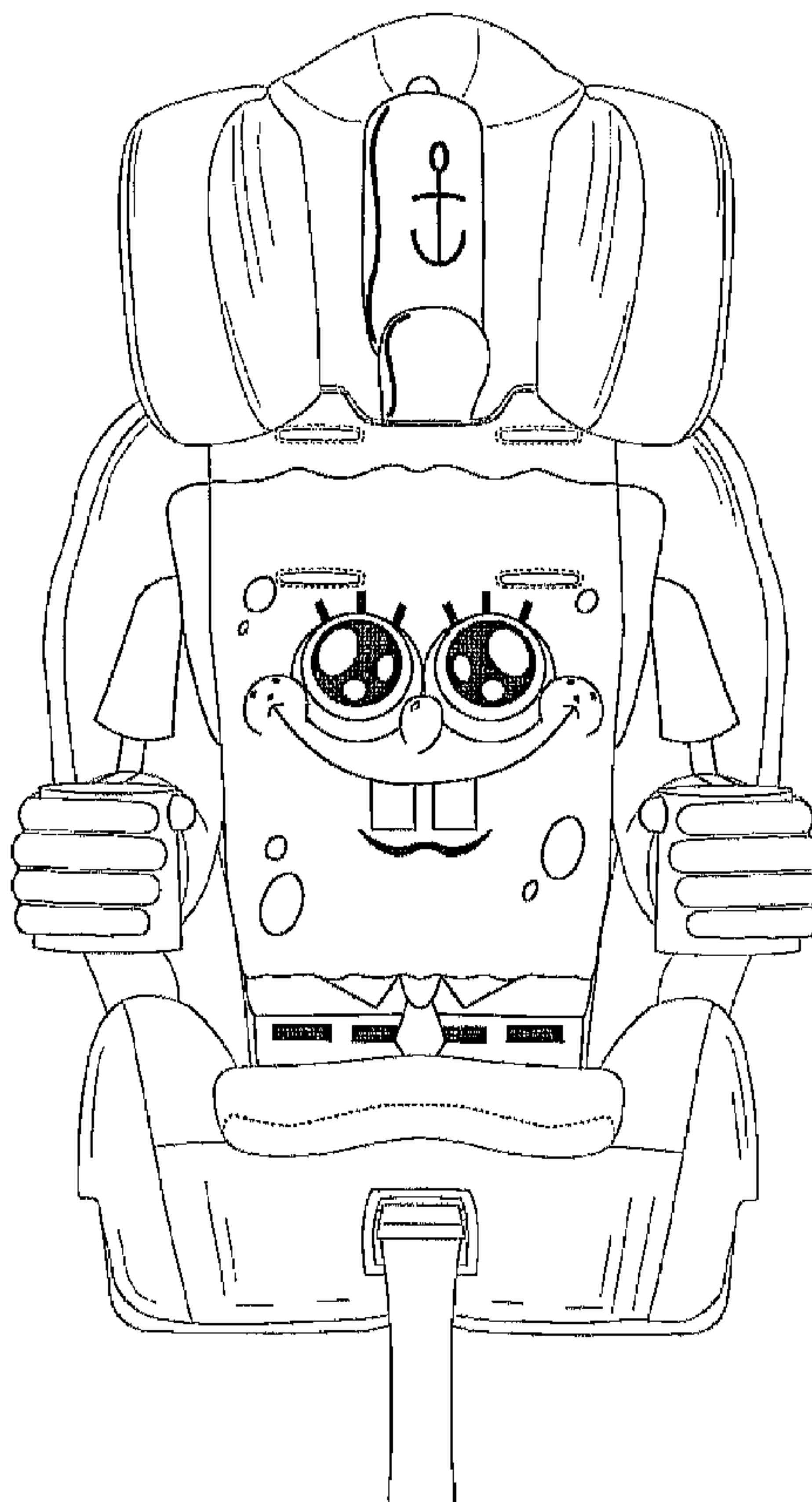
FIG. 4 is a top view thereof;

FIG. 5 is a bottom view thereof; and,

FIG. 6 is a perspective view thereof.

The broken line showing of portions of the child car seat is included for the purpose of illustrating environmental structure and forms no part of the claimed design.

1 Claim, 6 Drawing Sheets



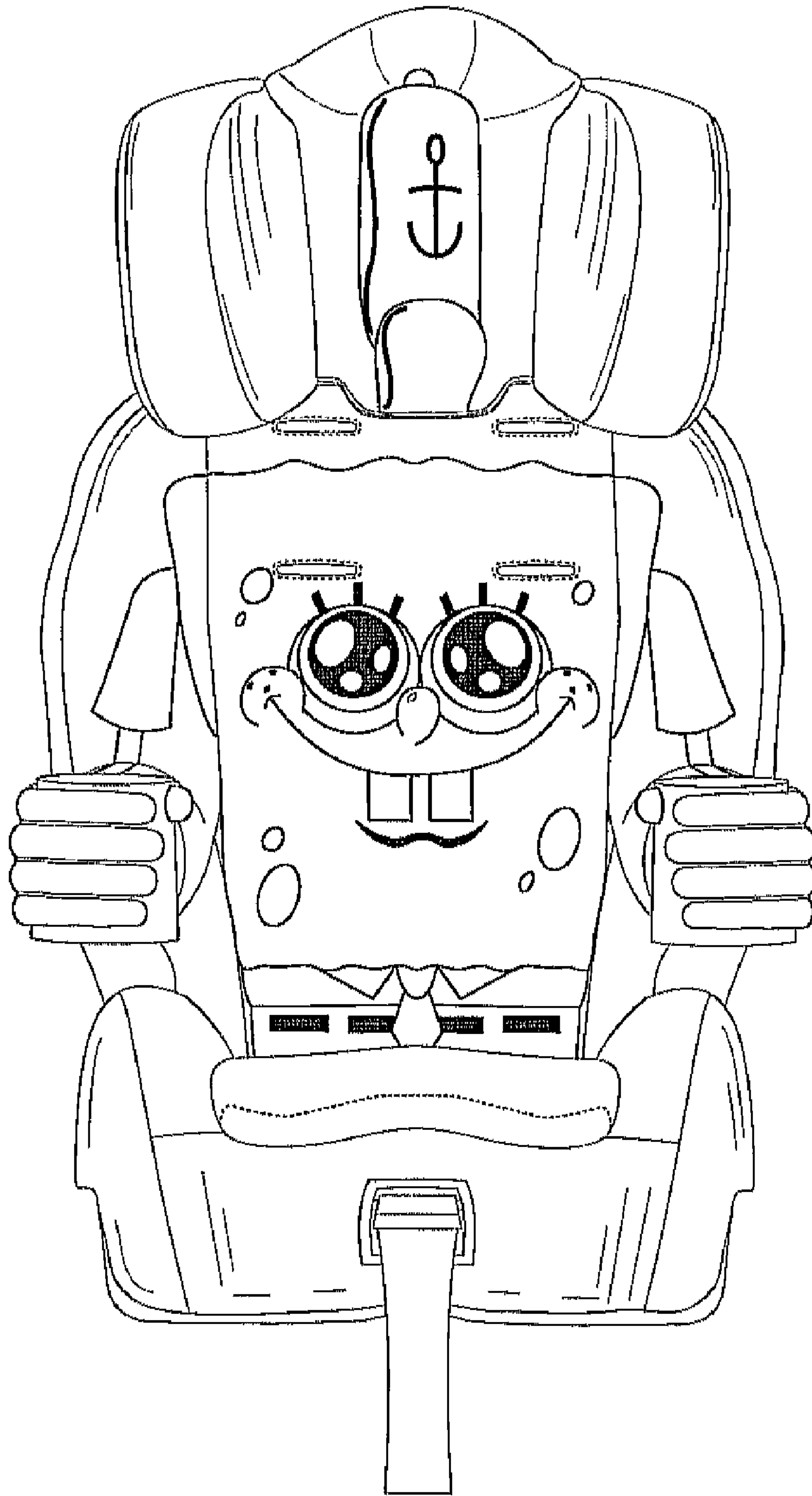


FIG. 1

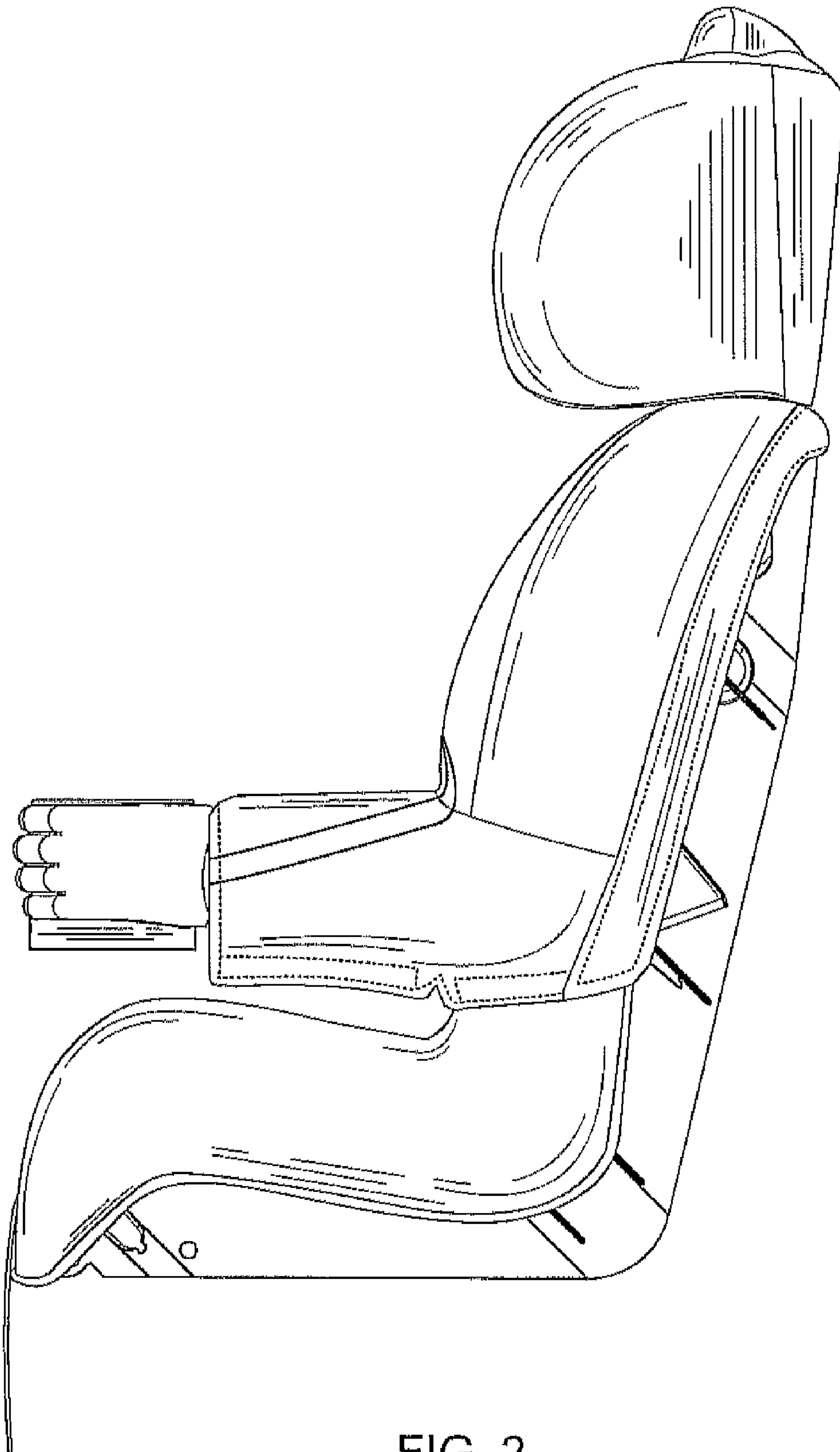


FIG. 2

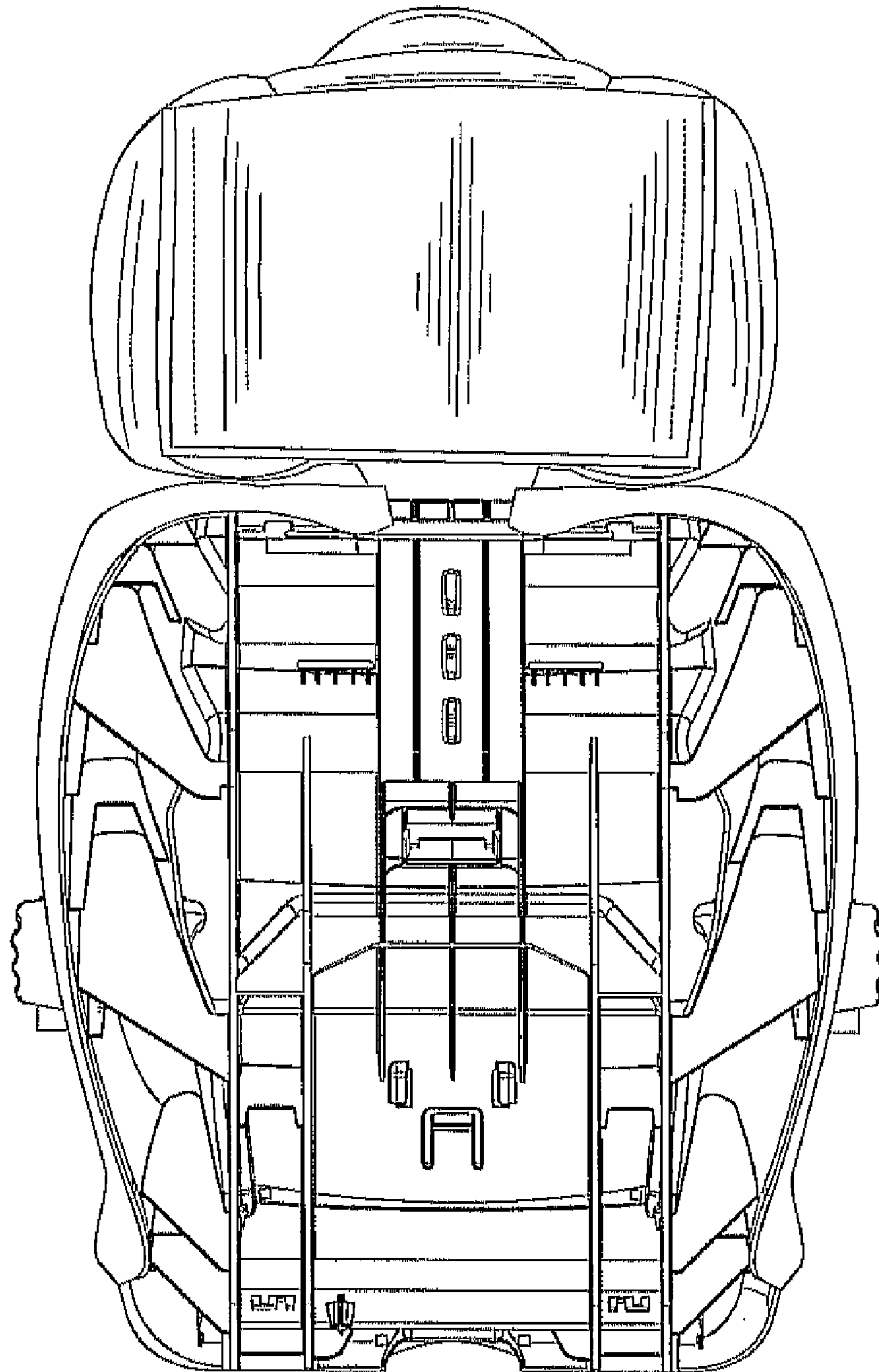


FIG. 3

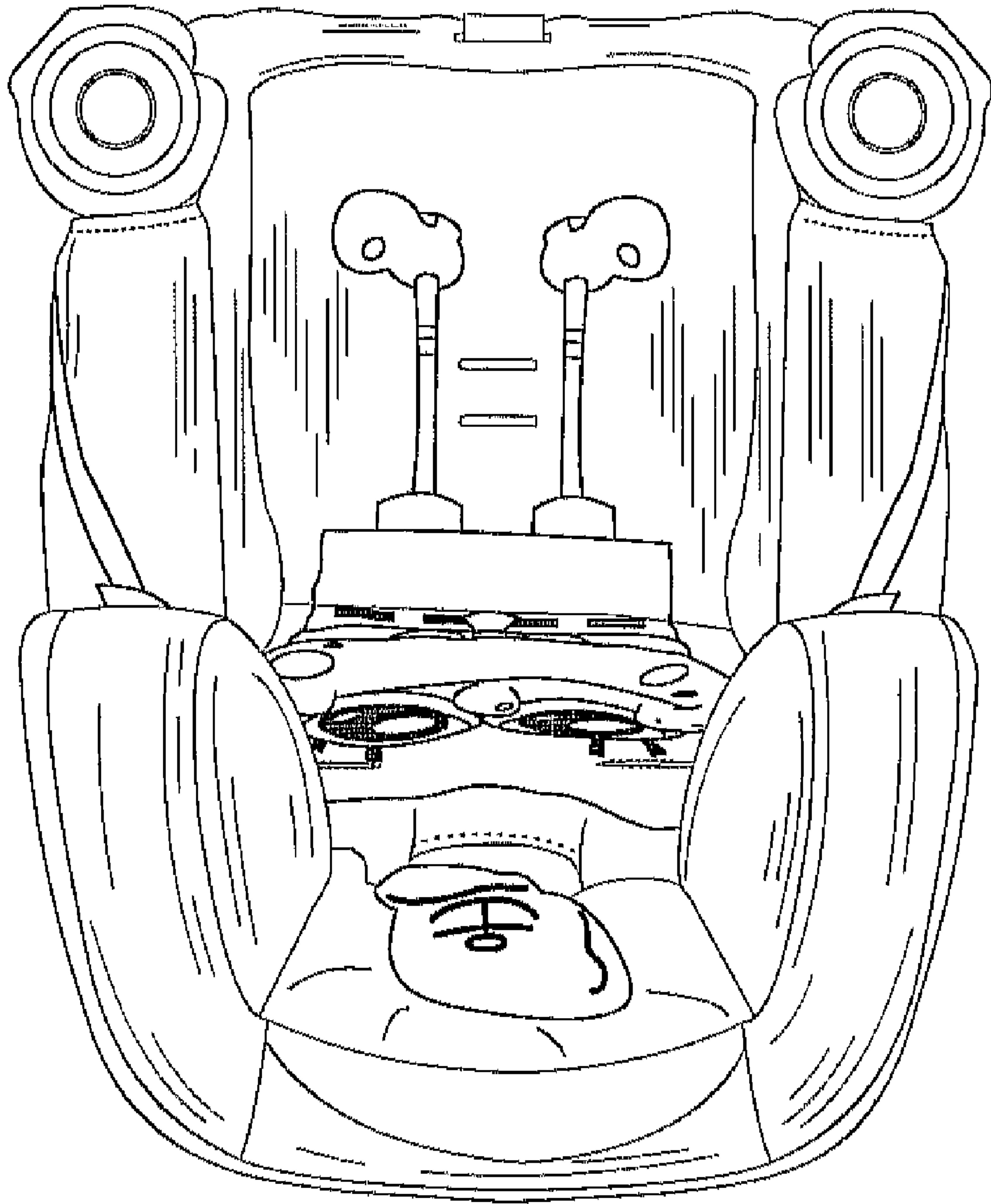


FIG. 4

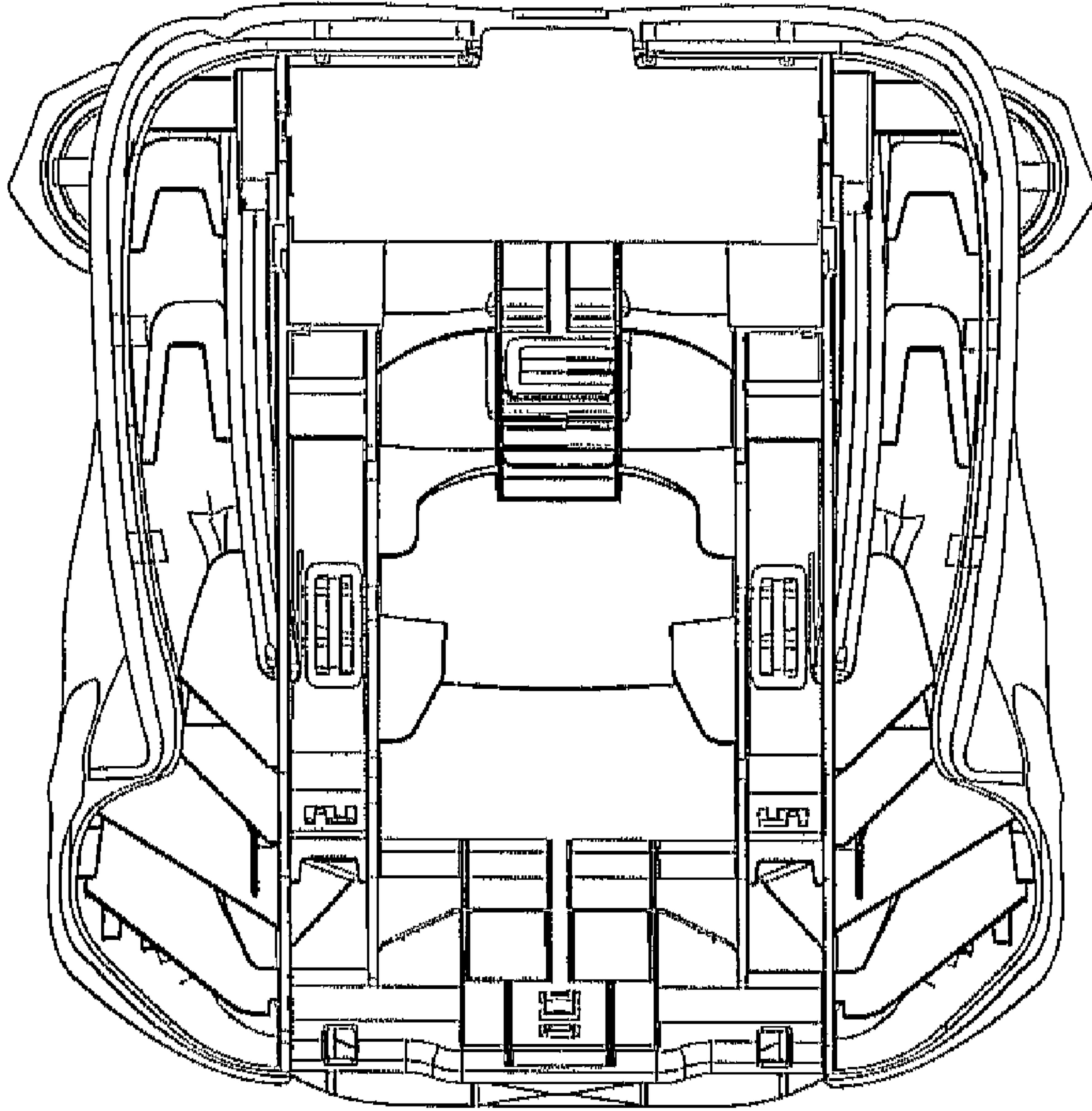


FIG. 5

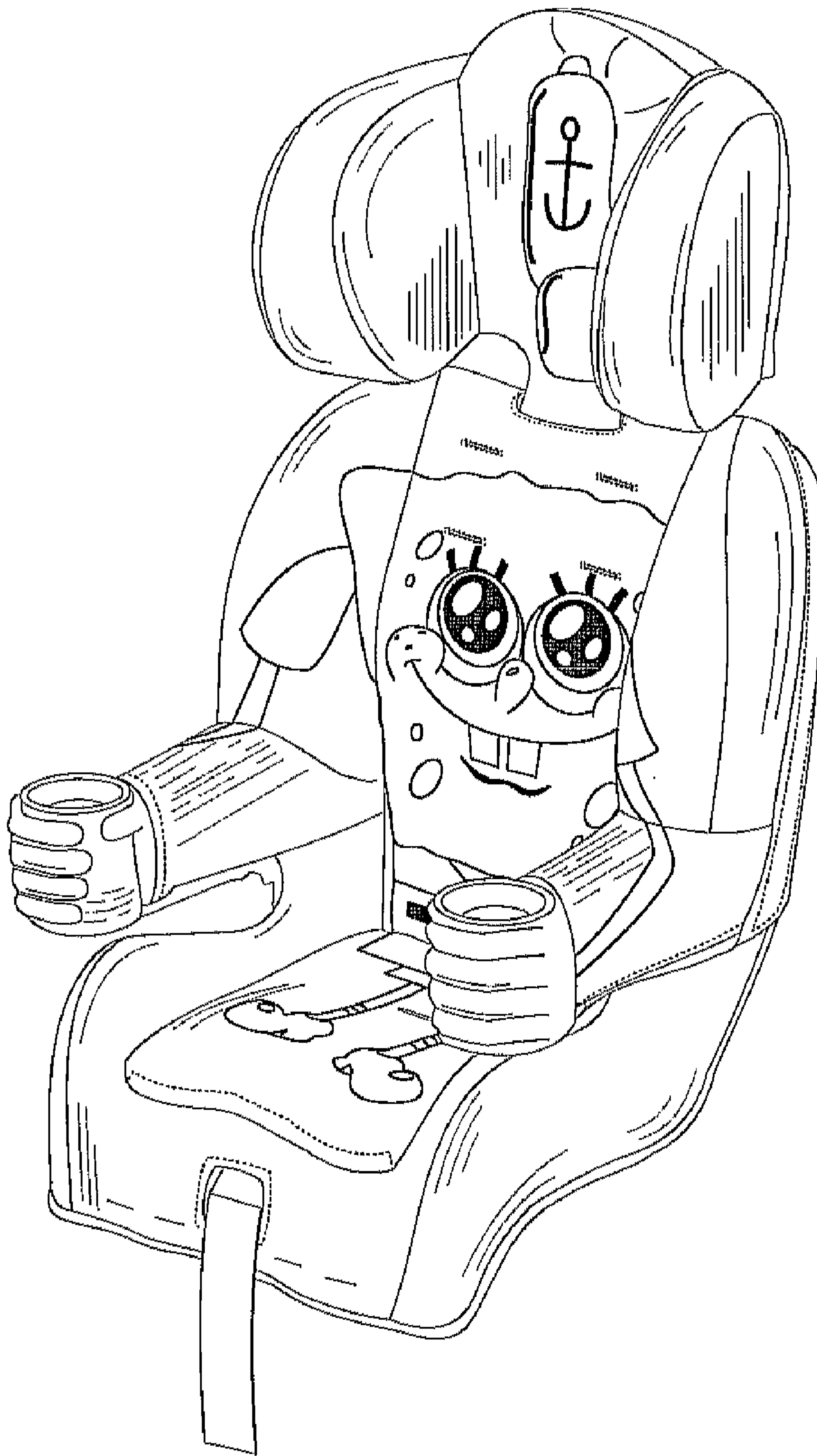


FIG. 6