



US00D676665S

(12) **United States Design Patent**
Xi et al.

(10) **Patent No.:** **US D676,665 S**

(45) **Date of Patent:** **** Feb. 26, 2013**

(54) **TOOTHBRUSH**

(75) Inventors: **Wen Jin Xi**, JiangSu (CN); **Yu Liu**,
JiangSu (CN); **Kai Zhang**, JiangSu (CN)

(73) Assignee: **Colgate-Palmolive Company**, New
York, NY (US)

(**) Term: **14 Years**

(21) Appl. No.: **29/400,347**

(22) Filed: **Aug. 26, 2011**

(51) **LOC (9) Cl.** **04-02**

(52) **U.S. Cl.** **D4/107; D4/126**

(58) **Field of Classification Search** D4/101,
D4/104-112, 124-126, 138; D21/604, 641-643,
D21/645, 646, 648, 649; 15/110, 111, 143.1,
15/167.1, 167.2; 132/308-311; 601/139,
601/141

See application file for complete search history.

(56) **References Cited**

U.S. PATENT DOCUMENTS

D452,379 S 12/2001 Cheong et al.
D462,839 S 9/2002 Ping
D600,023 S 9/2009 Sprosta et al.

FOREIGN PATENT DOCUMENTS

CN 3236238 5/2002
CN 3237317 5/2002
CN 3427095 2/2005
CN 3484629 11/2005
CN 300723190 12/2007
CN 300773952 5/2008
CN 301447967 S 1/2011
CN 301480035 S 3/2011

GB 2074098 8/1998
KR 103422 S 5/1990
RU 45584 5/1999
RU 47762 9/2000
RU 49510 11/2001
RU 54427 5/2004
RU 54764 7/2004
RU 56216 2/2005
RU 56217 2/2005
RU 56220 2/2005
RU 59205 6/2006

OTHER PUBLICATIONS

CN 301207107 Registered Design Application, (Pan Zhixiong) May 19, 2010, [online], [Retrieved from the Questel Intellectual Property Portal Design Database using the Internet: <URL: http://www.orbit.com>].

Primary Examiner — Cathron Brooks
Assistant Examiner — Lavone D Tabor

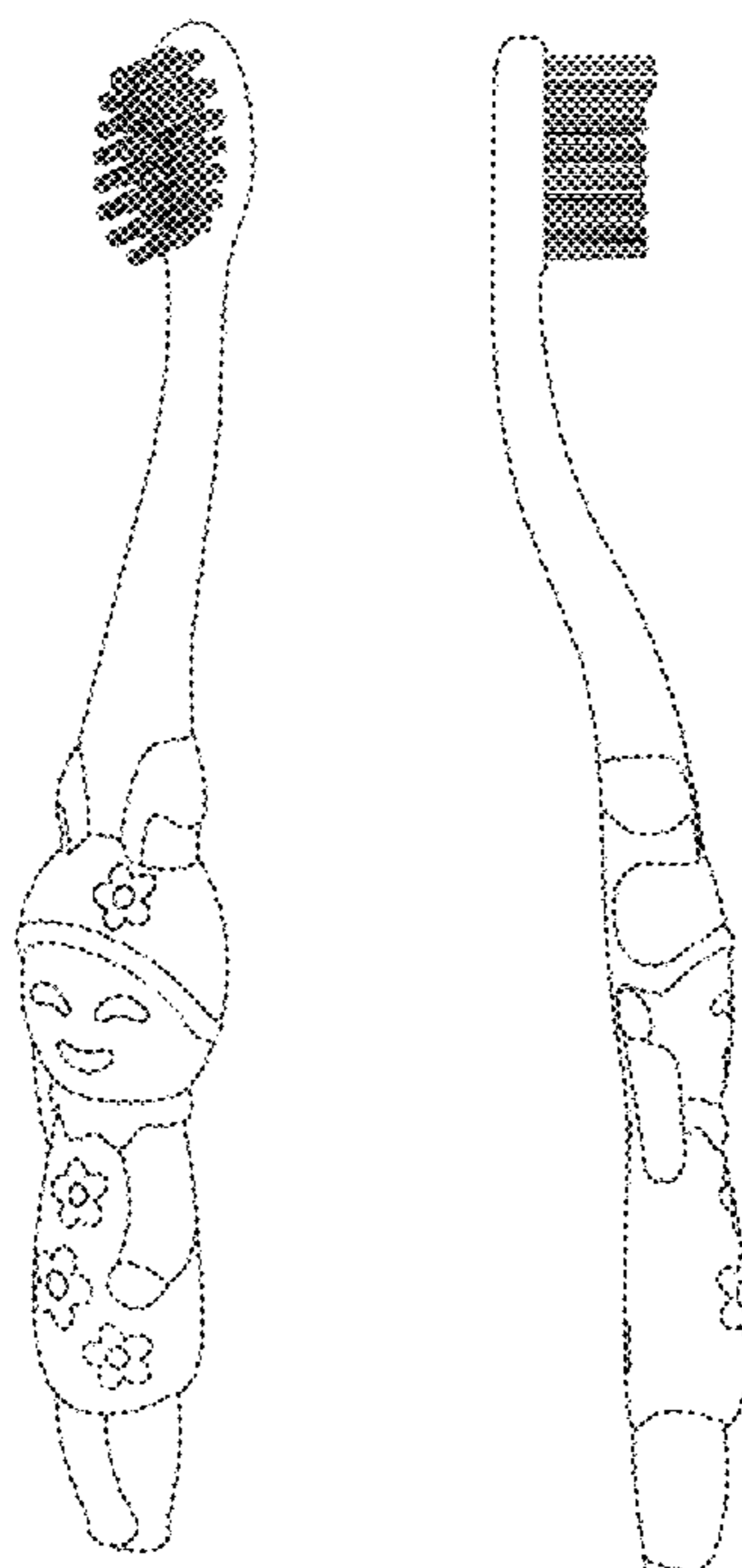
(57) **CLAIM**

The ornamental design for a toothbrush, as shown and described.

DESCRIPTION

FIG. 1 is a right front perspective view of a toothbrush according to the new design;
FIG. 2 is a left front perspective view thereof;
FIG. 3 is a front view thereof;
FIG. 4 is a rear view thereof;
FIG. 5 is a left side view thereof;
FIG. 6 is a right side view thereof;
FIG. 7 is a top view thereof; and,
FIG. 8 is a bottom view thereof.

1 Claim, 6 Drawing Sheets



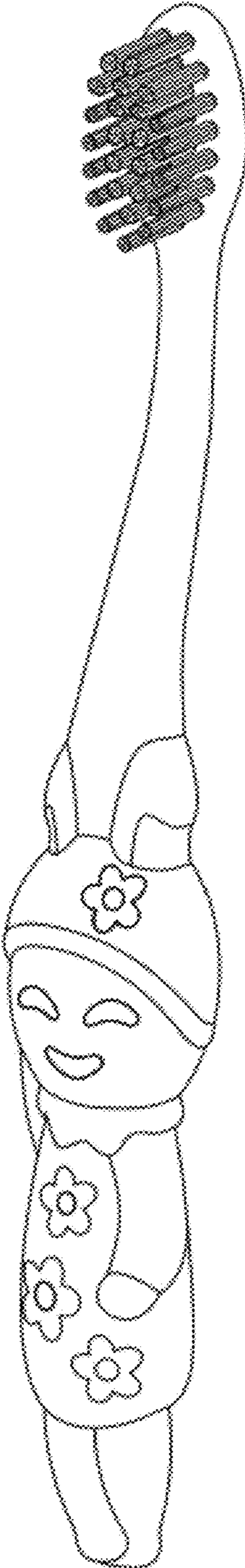


FIG. 1

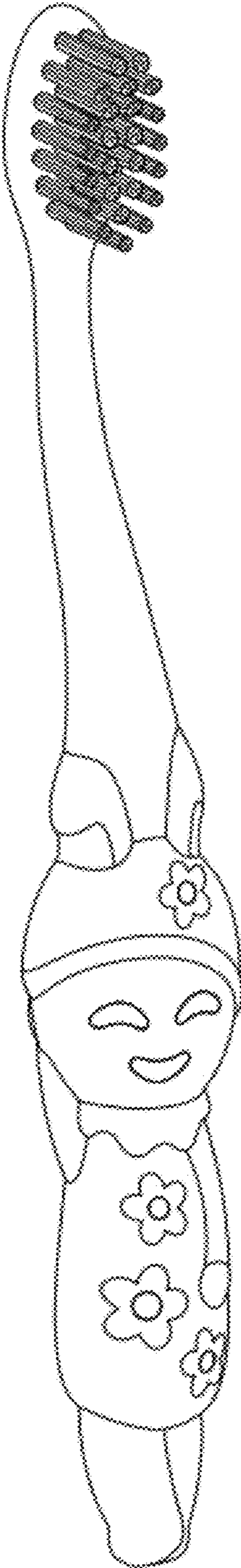


FIG. 2

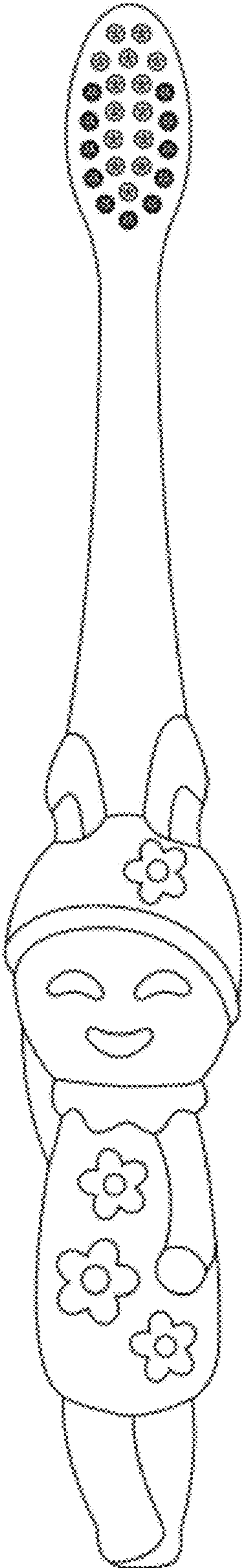


FIG. 3

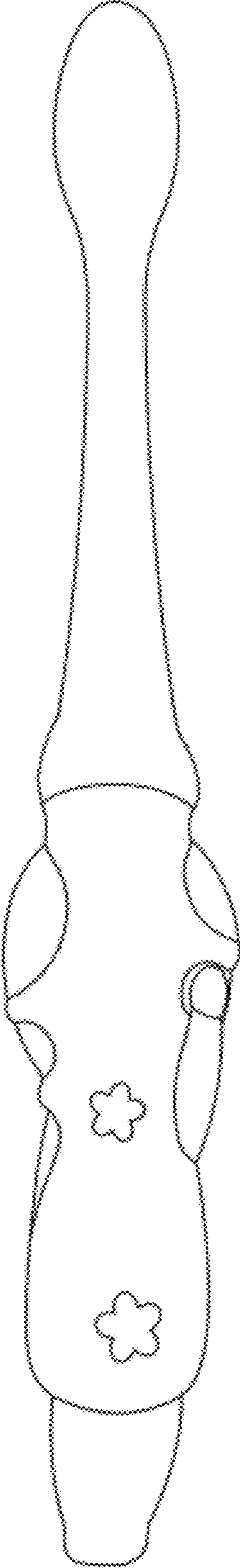


FIG. 4

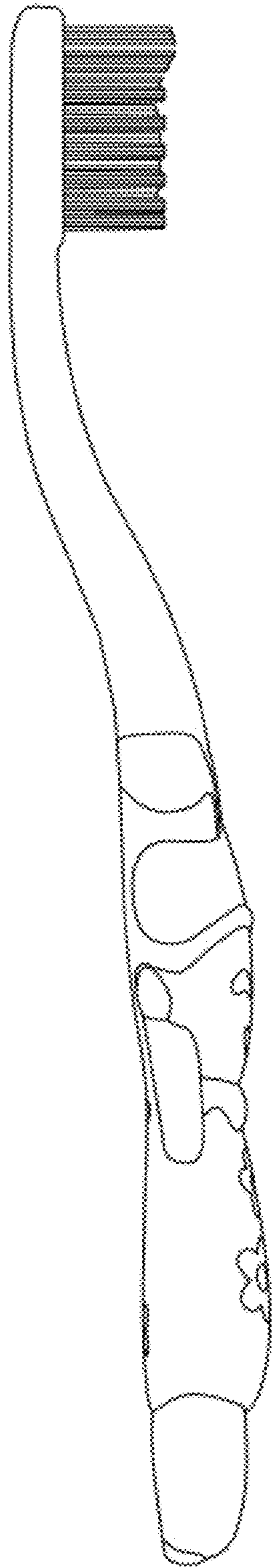


FIG. 5

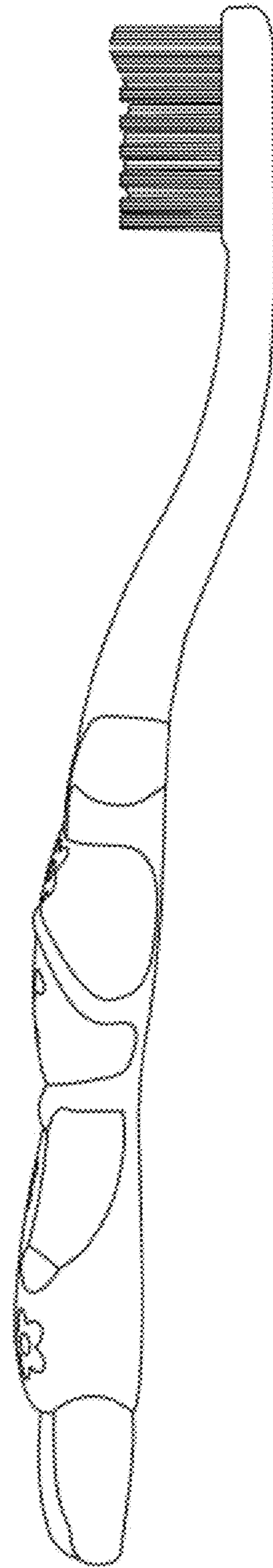


FIG. 6

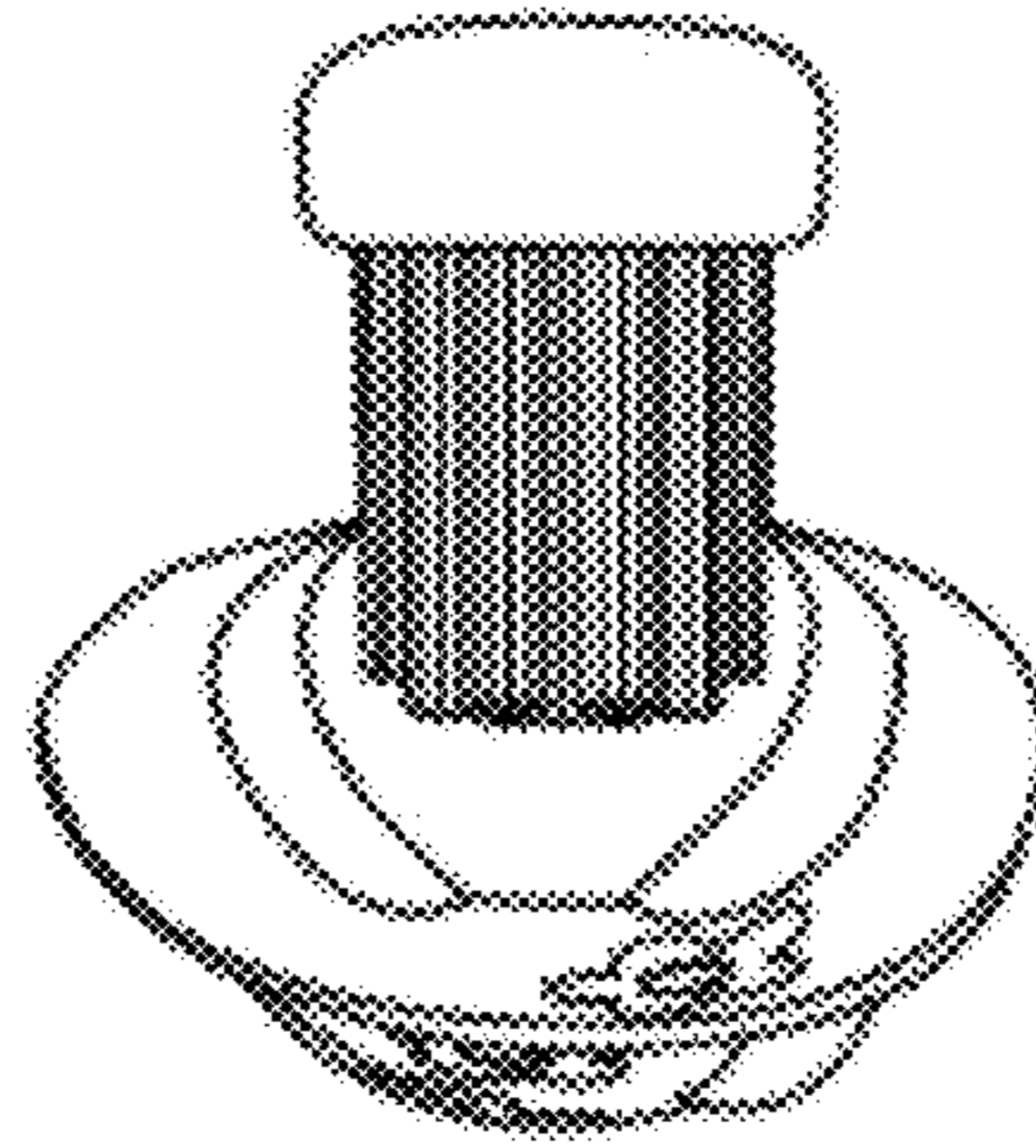


FIG. 7

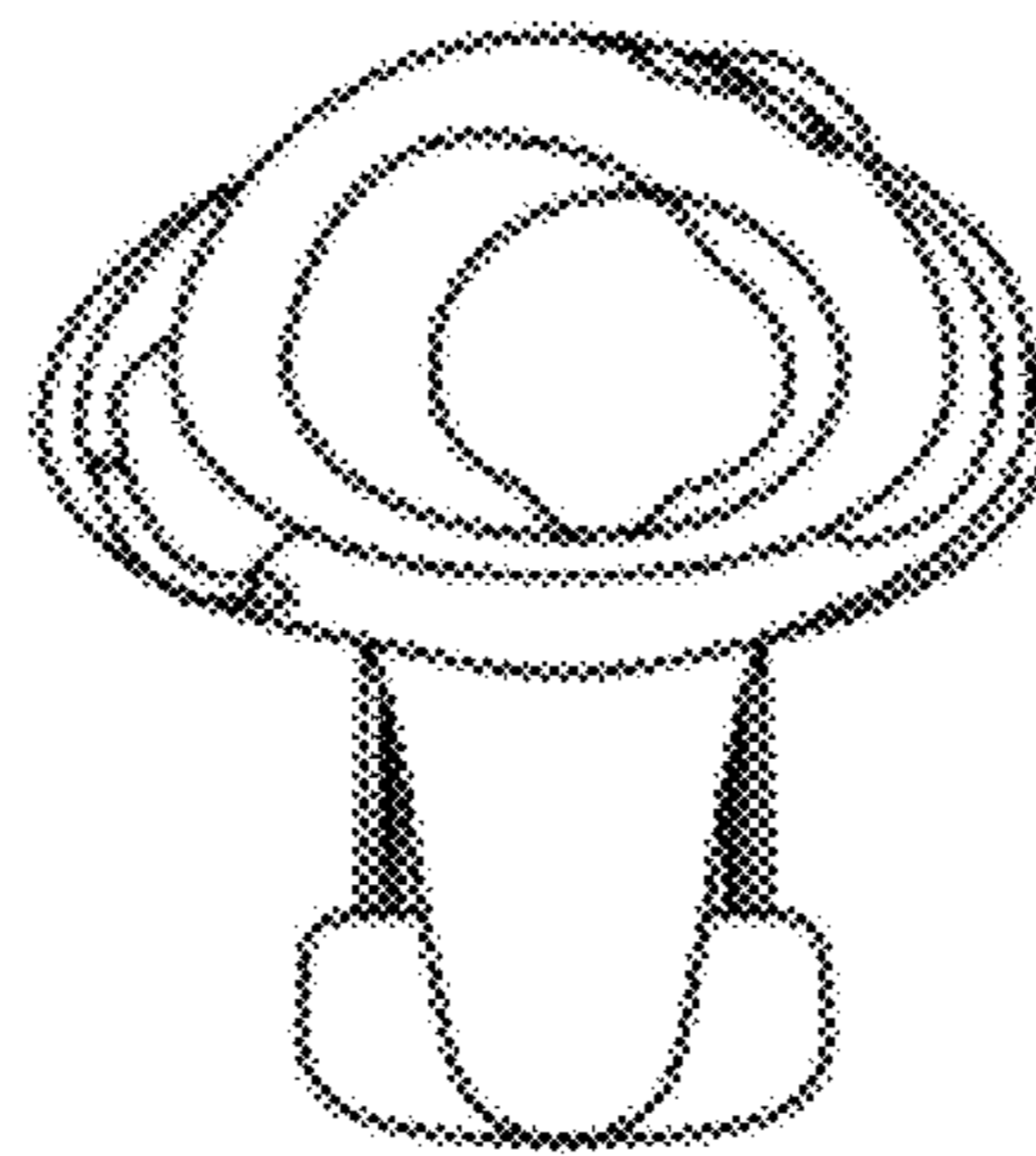


FIG. 8