



US00D676658S

(12) **United States Design Patent**
Holloway et al.

(10) **Patent No.:** **US D676,658 S**

(45) **Date of Patent:** **** Feb. 26, 2013**

(54) **HANDLE FOR HANDBAGS**

(75) Inventors: **Simon Holloway**, London (GB); **Nicolas Baurain**, London (GB)

(73) Assignee: **J. Choo Limited**, London (GB)

(**) Term: **14 Years**

(21) Appl. No.: **29/395,161**

(22) Filed: **Dec. 7, 2011**

(30) **Foreign Application Priority Data**

Jun. 9, 2011 (EM) 001876061-0007

(51) **LOC (9) Cl.** **03-01**

(52) **U.S. Cl.** **D3/318**

(58) **Field of Classification Search** D3/318,
D3/324; 150/100, 103-110, 113-114, 117-119
See application file for complete search history.

(56) **References Cited**

U.S. PATENT DOCUMENTS

D296,389 S *	6/1988	Taylor	D3/230
D435,732 S *	1/2001	Della Valle	D3/327
D488,925 S	4/2004	McMahan et al.		
D583,154 S	12/2008	Gonzalez		
D650,589 S *	12/2011	Overton et al.	D3/327

OTHER PUBLICATIONS

J. Choo Limited—Solar Handbag, printed from www.al-handbagfashion.com on Apr. 20, 2012.

U.S. Appl. No. 29/395,161, filed Dec. 7, 2011, first named inventor is Simon Holloway.

* cited by examiner

Primary Examiner — Holly Baynham

(74) *Attorney, Agent, or Firm* — Fross Zelnick Lehrman & Zissu, P.C.; Lawrence E. Apolzon, Esq.

(57) **CLAIM**

The ornamental design for a handle for handbags, as shown and described.

DESCRIPTION

FIG. 1 is a front perspective view of a handle for handbag showing my new design;

FIG. 2 is a front view of the handle shown in FIG. 1;

FIG. 3 is a rear view of the handle shown in FIG. 1;

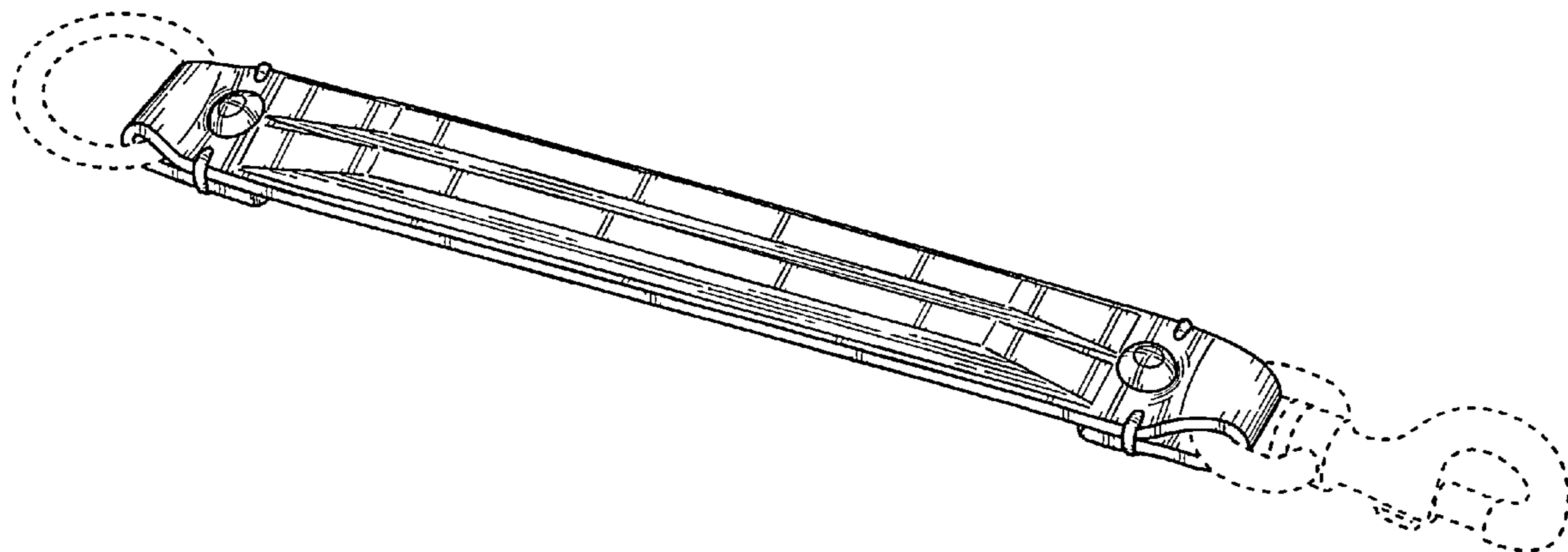
FIG. 4 is a side view of the handle shown in FIG. 1;

FIG. 5 is the other side view of the handle shown in FIG. 1;

FIG. 6 is a perspective view of the handle shown in FIG. 1, shown in the environment of a portion of a handbag, with grommets.

The broken lines showing the metal ring, closure mechanism, rivets, portions of the handbag and grommets are included for the purpose of illustrating environmental structure and form no part of the claimed design.

1 Claim, 4 Drawing Sheets



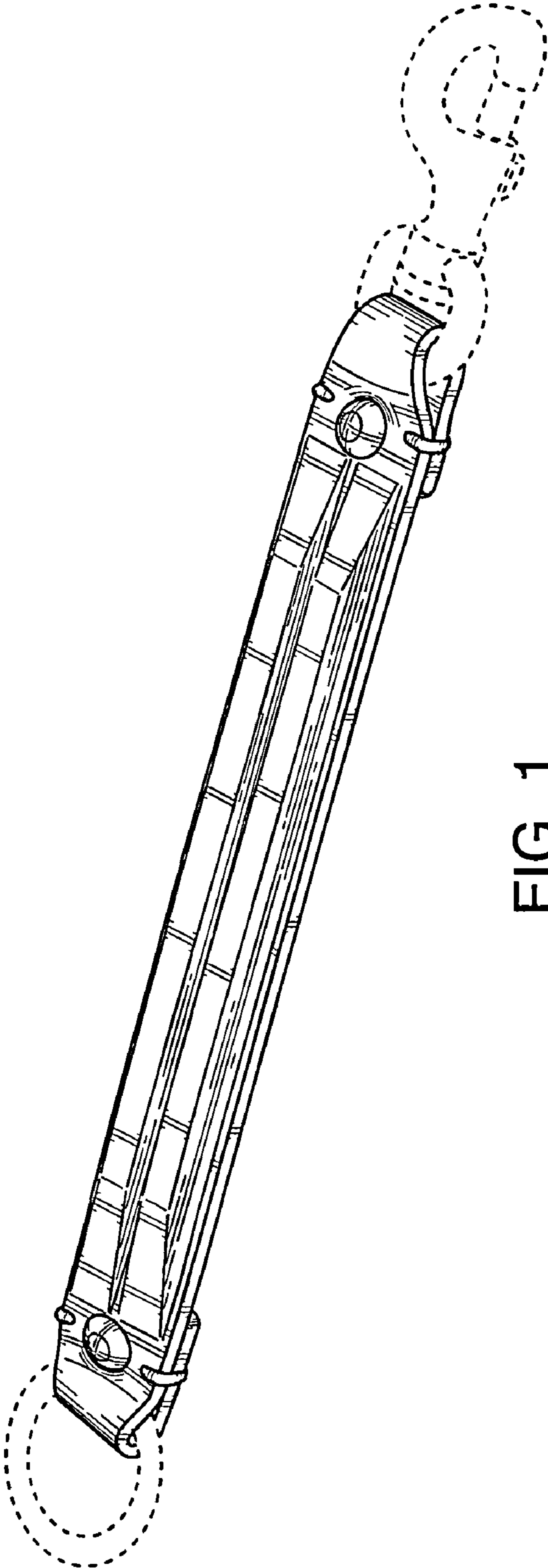


FIG. 1

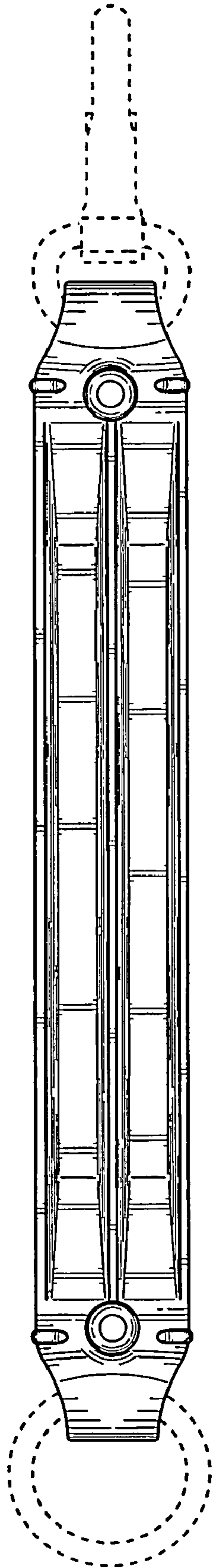


FIG. 2

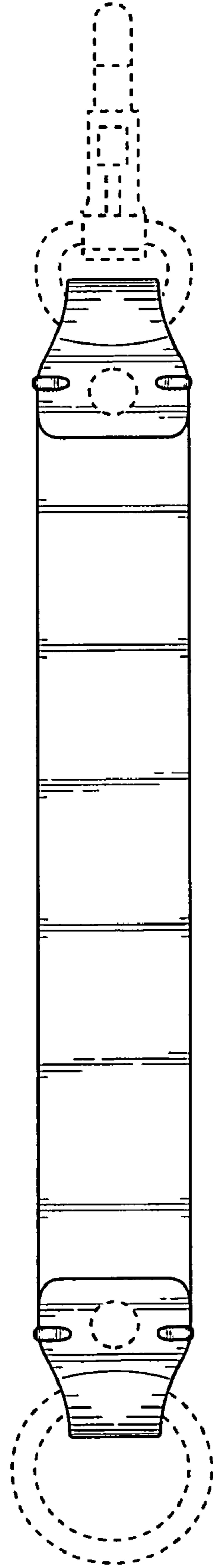


FIG. 3

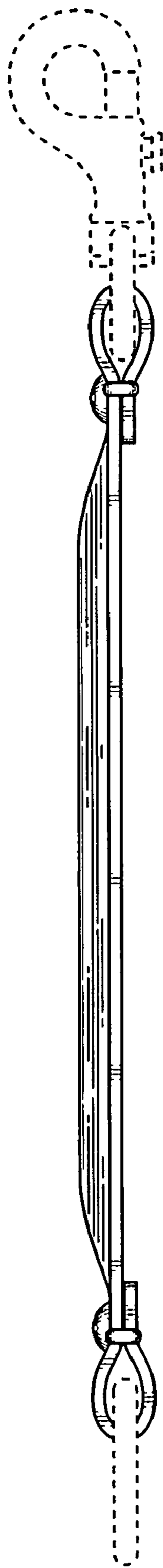


FIG. 4



FIG. 5

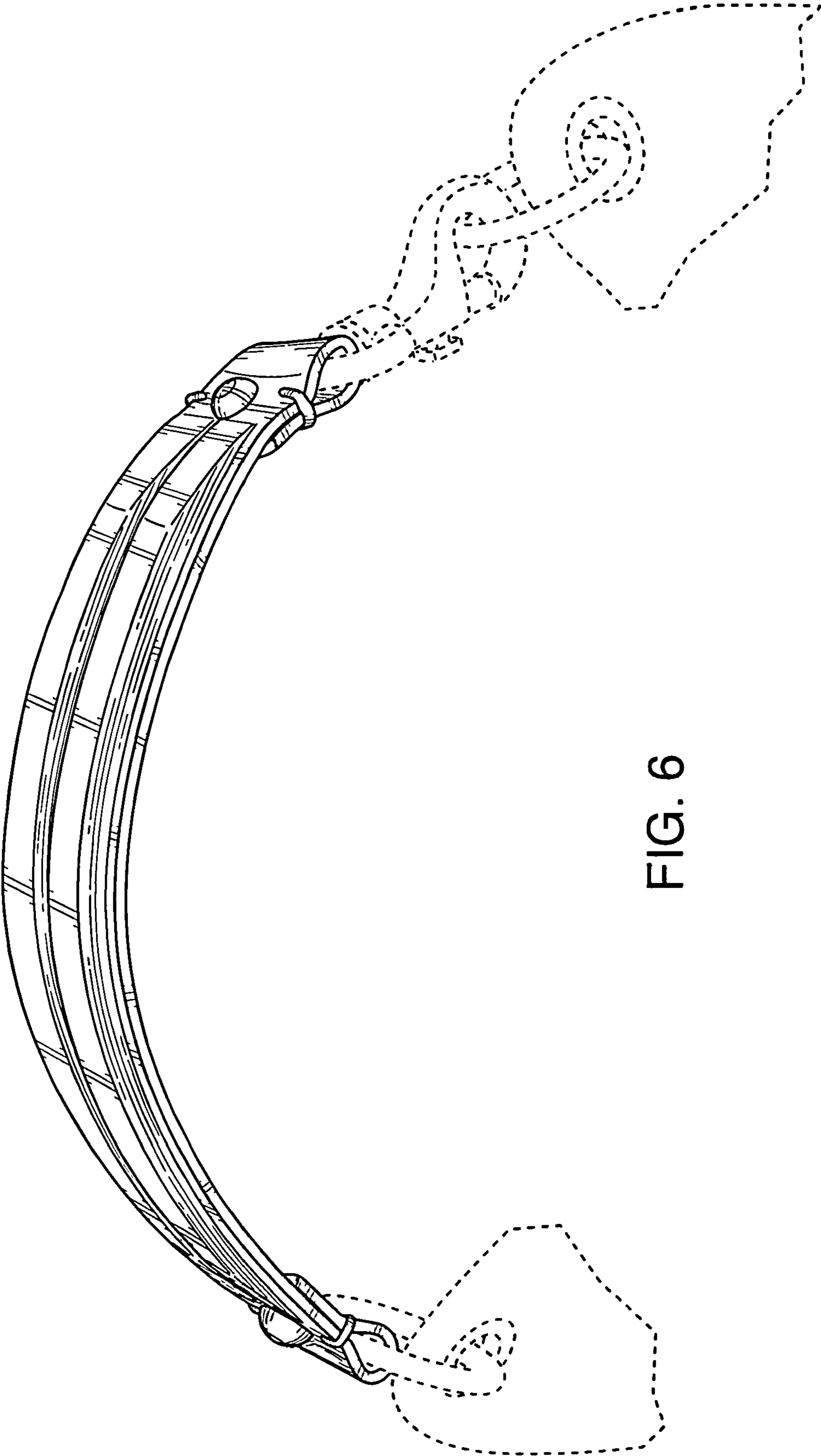


FIG. 6