



US00D676655S

(12) **United States Design Patent**
Lin

(10) **Patent No.:** **US D676,655 S**

(45) **Date of Patent:** **** Feb. 26, 2013**

(54) **TOOLBOX**

(75) Inventor: **Jack Lin**, Taichung (TW)

(73) Assignee: **Yih Cheng Factory Co., Ltd.**, Taichung (TW)

(**) Term: **14 Years**

(21) Appl. No.: **29/425,771**

(22) Filed: **Jun. 27, 2012**

(51) **LOC (9) Cl.** **03-01**

(52) **U.S. Cl.** **D3/294**

(58) **Field of Classification Search** D3/293-295,
D3/273, 302, 905, 276, 283, 201; 206/349,
206/372; D7/629; D30/133; D9/420; 220/523,
220/4.21, 4.22

See application file for complete search history.

(56) **References Cited**

U.S. PATENT DOCUMENTS

D280,678 S * 9/1985 Loscalzo et al. D3/294
D367,211 S * 2/1996 Cautereels D7/629
D469,955 S * 2/2003 Lauer D3/294

D509,656 S * 9/2005 Pangerc et al. D3/294
D527,182 S * 8/2006 Ham D3/294
D549,119 S * 8/2007 Becker D10/104.1
D566,395 S * 4/2008 Langer et al. D3/294
D578,307 S * 10/2008 Chan et al. D3/295
D636,182 S * 4/2011 Yang D3/294

* cited by examiner

Primary Examiner — Sheryl Lane

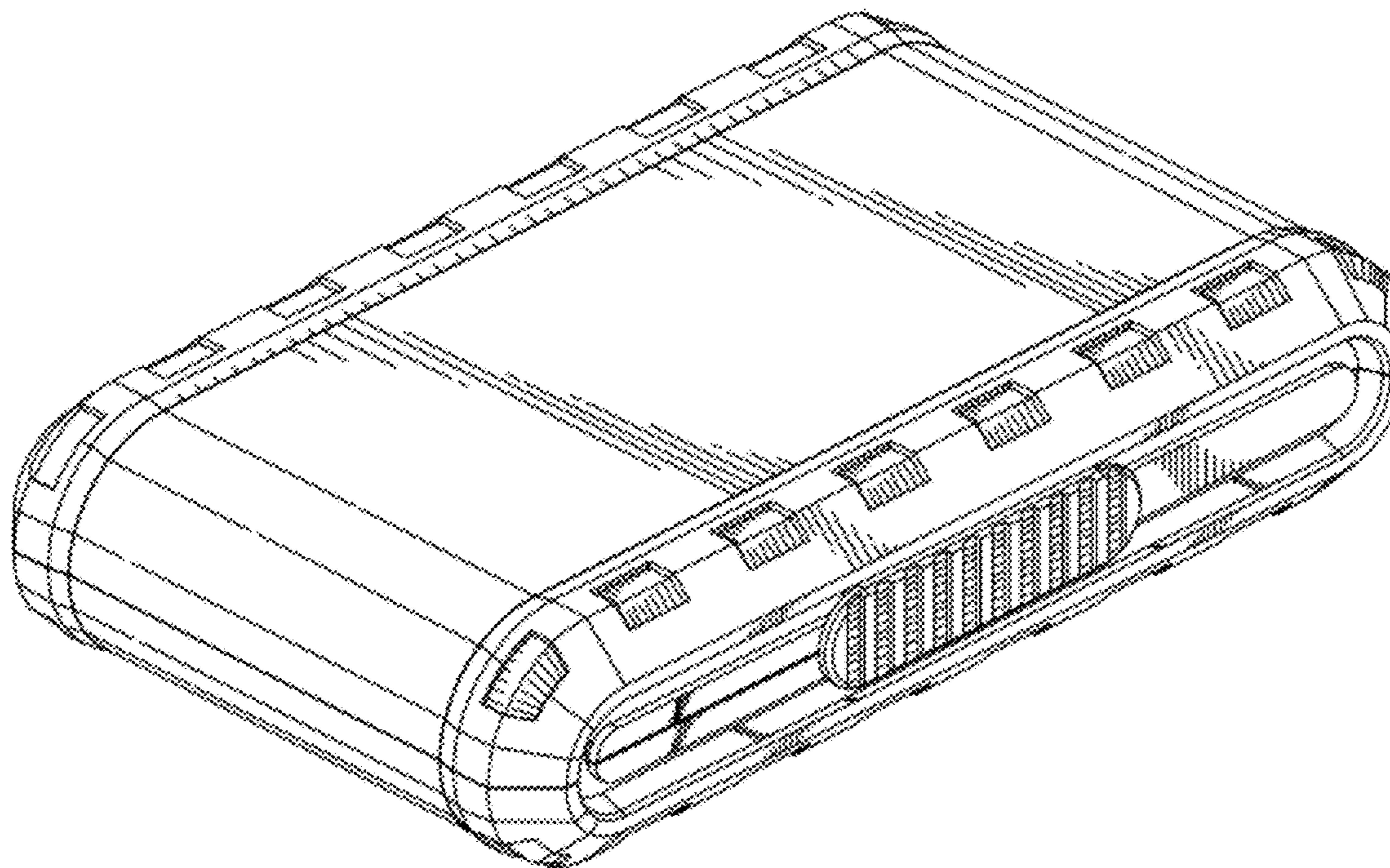
(57) **CLAIM**

I claim the ornamental design for a toolbox, as shown and described.

DESCRIPTION

FIG. 1 is a front perspective view of a toolbox, showing my new design;
FIG. 2 is a rear perspective view thereof;
FIG. 3 is a front elevation view thereof;
FIG. 4 is a rear elevation view thereof;
FIG. 5 is a left side elevation view thereof;
FIG. 6 is a right side elevation view thereof;
FIG. 7 is a top plan view thereof; and,
FIG. 8 is a bottom plan view thereof.

1 Claim, 6 Drawing Sheets



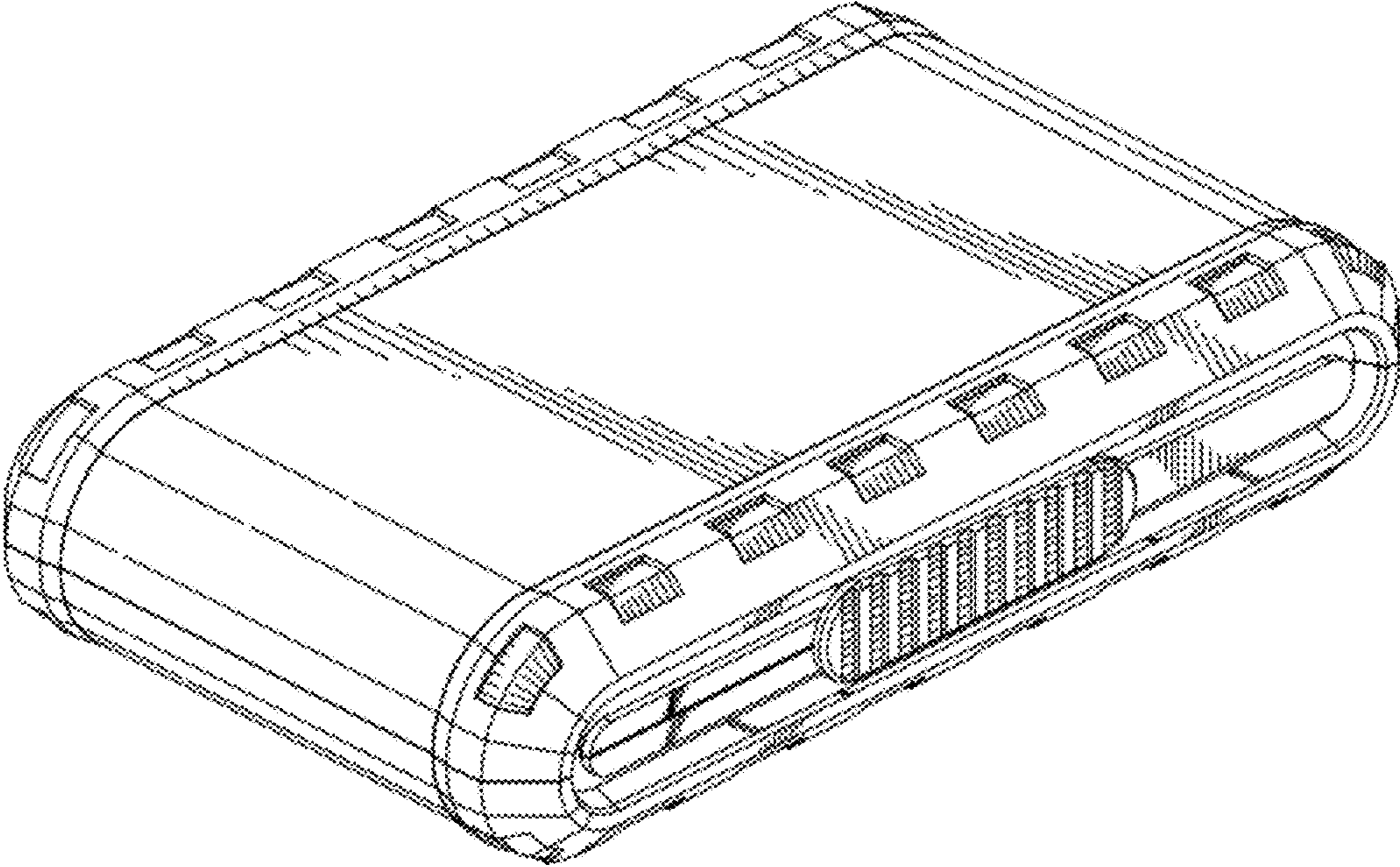


FIG. 1

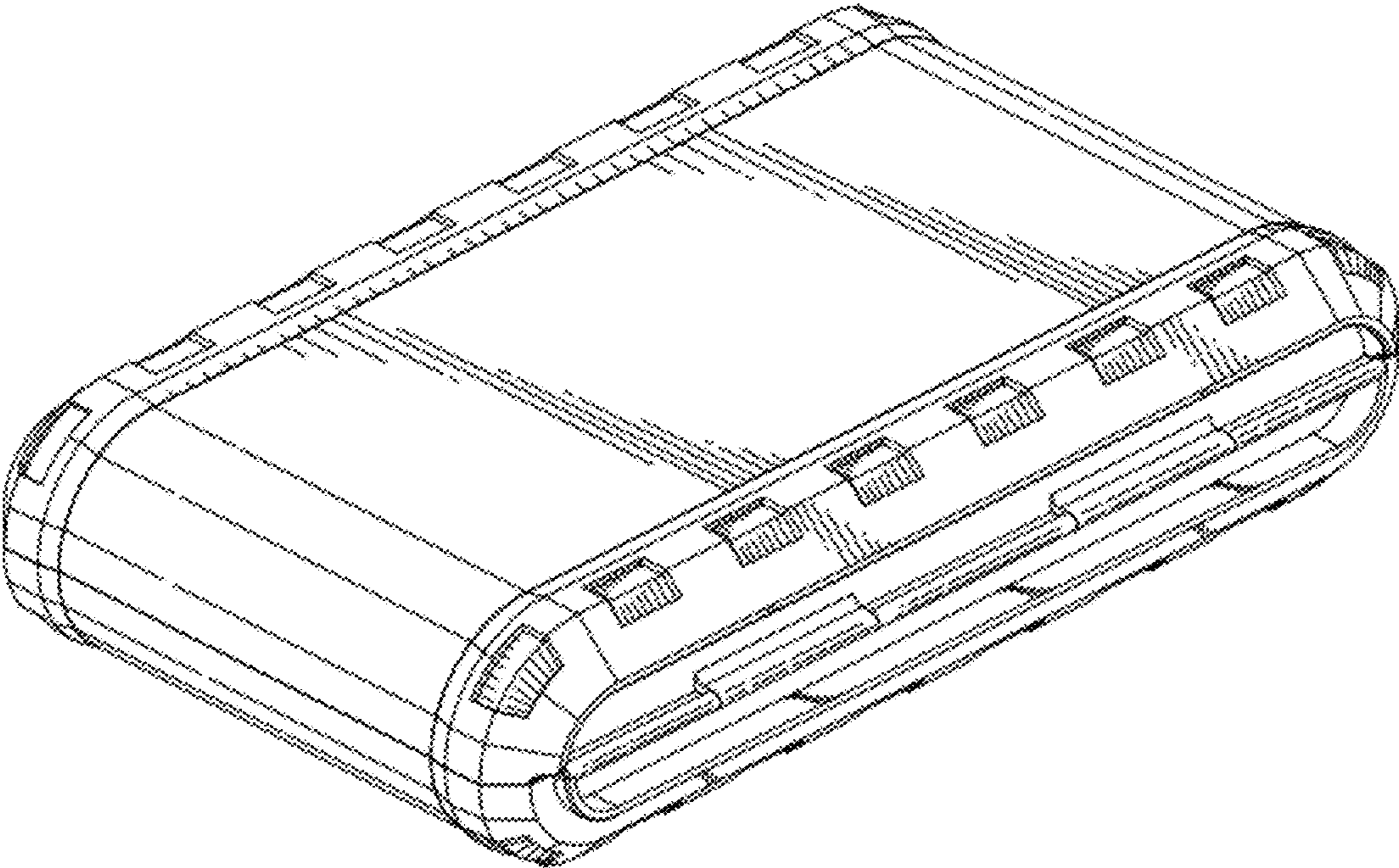


FIG. 2

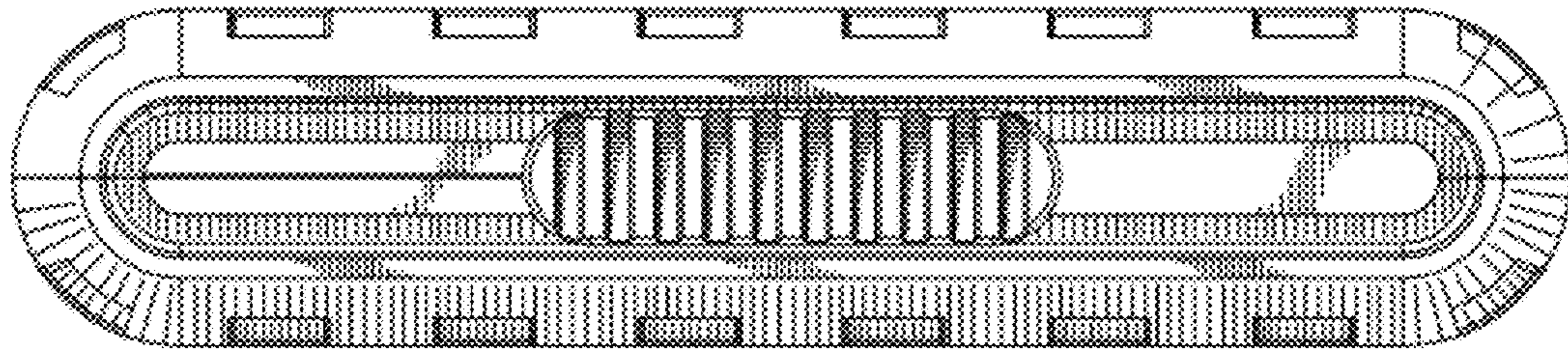


FIG. 3

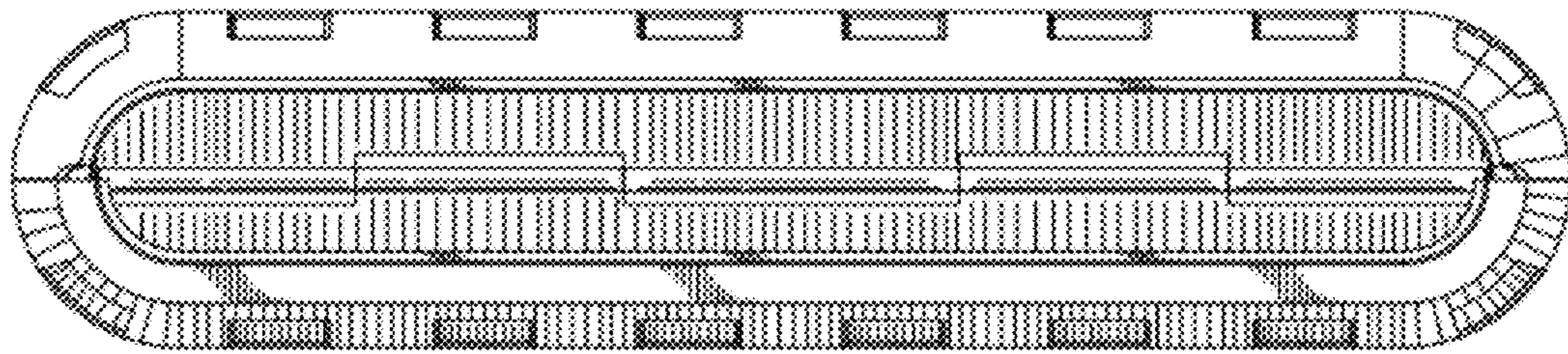


FIG. 4

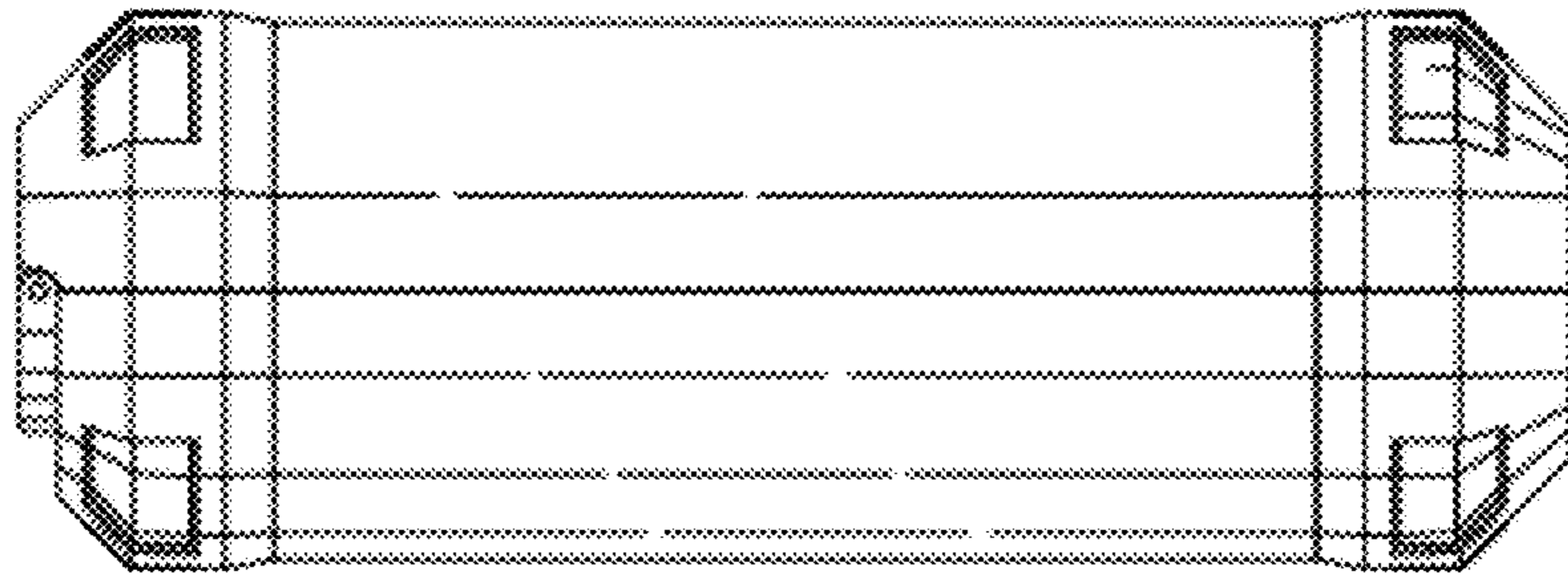


FIG. 5



FIG. 6

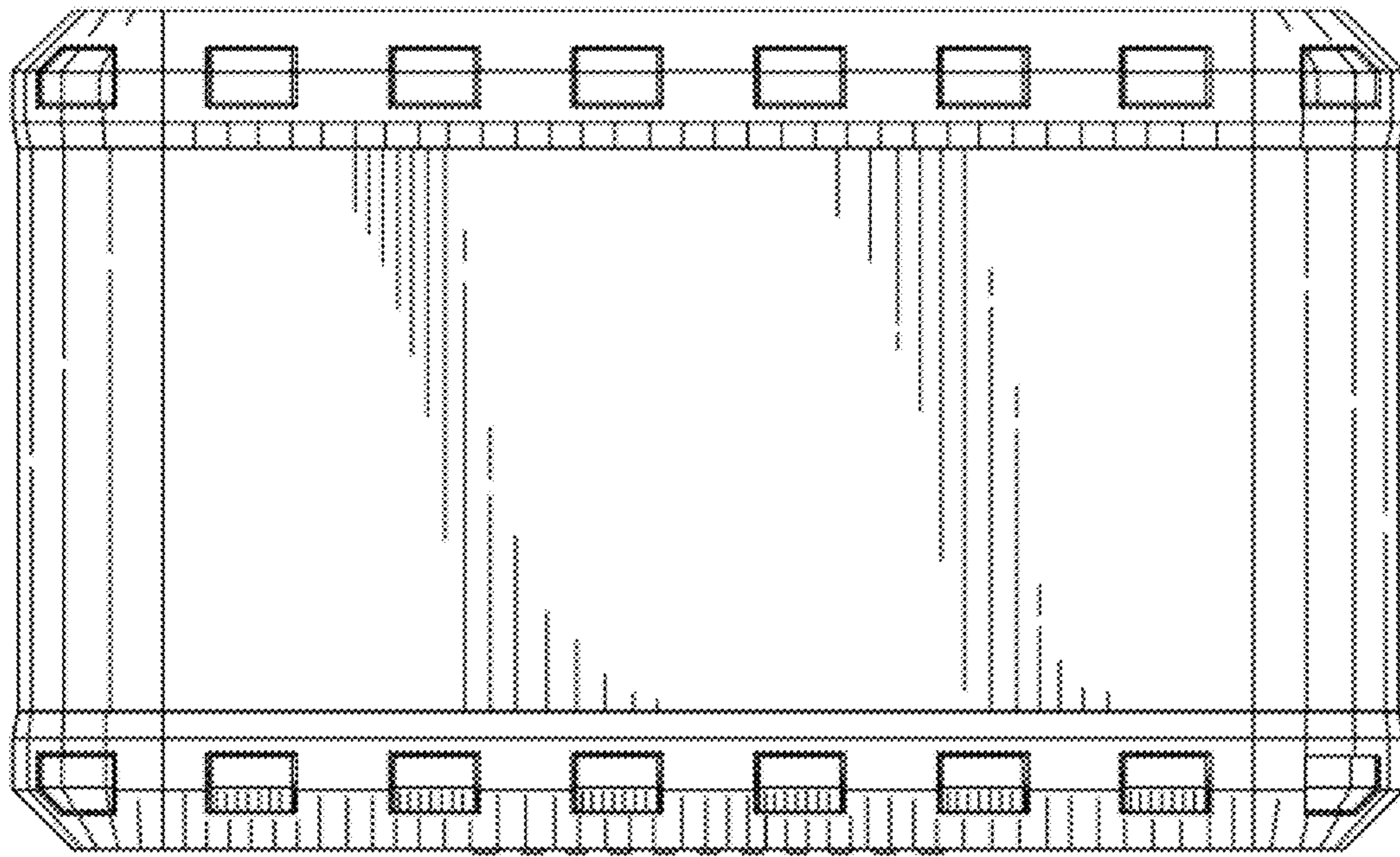


FIG. 7

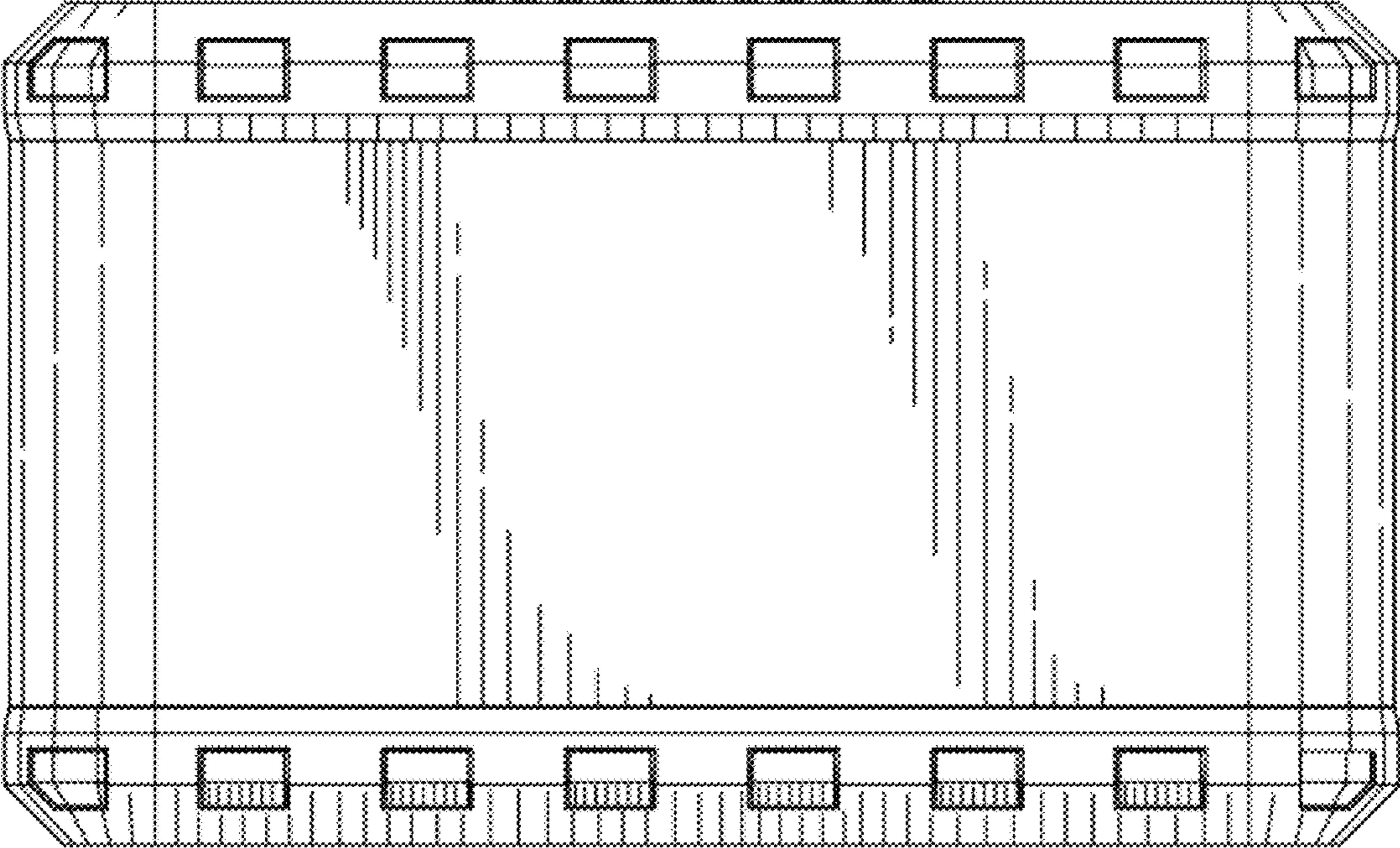


FIG. 8