



US00D676654S

(12) **United States Design Patent**  
**Weremchuk et al.**

(10) **Patent No.:** **US D676,654 S**

(45) **Date of Patent:** **\*\* Feb. 26, 2013**

(54) **TOOL CASE**

(75) Inventors: **Peter Weremchuk**, Simsbury, CT (US);  
**Matthew C. Green**, Amherst, MA (US)

(73) Assignee: **Irwin Industrial Tool Company**,  
Huntersville, NC (US)

(\*\*) Term: **14 Years**

(21) Appl. No.: **29/420,595**

(22) Filed: **May 10, 2012**

**Related U.S. Application Data**

(63) Continuation of application No. 13/453,604, filed on  
Apr. 23, 2012.

(51) **LOC (9) Cl.** ..... **03-01**

(52) **U.S. Cl.** ..... **D3/294**

(58) **Field of Classification Search** ..... D3/272,  
D3/294; 206/503–504, 505–507, 509–510,  
206/514–515, 518

See application file for complete search history.

(56) **References Cited**

**U.S. PATENT DOCUMENTS**

4,199,060	A	4/1980	Howard	
5,918,741	A	7/1999	Vasudeva	
6,119,859	A	9/2000	Wen	
D477,714	S *	7/2003	Cunningham et al.	..... D3/273
D481,868	S *	11/2003	Cunningham et al.	..... D3/273
6,868,967	B2	3/2005	Lam	
6,986,538	B1	1/2006	Ecker	
7,328,796	B2	2/2008	Brunson et al.	

D563,670	S *	3/2008	Cornwell et al.	..... D3/294
D578,759	S *	10/2008	Grenier et al.	..... D3/294
D579,202	S *	10/2008	Grenier et al.	..... D3/294
7,552,742	B2	6/2009	Dole	
7,699,176	B2	4/2010	Lin	
7,824,137	B2	11/2010	Vasudeva et al.	
D650,173	S *	12/2011	Lima et al.	..... D3/293
D650,585	S *	12/2011	Jamison et al.	..... D3/294
2005/0072701	A1	4/2005	Allan et al.	
2008/0011634	A1	1/2008	Lin	
2008/0014035	A1	1/2008	Perkovich et al.	
2008/0078684	A1	4/2008	Lin	
2009/0169317	A1	7/2009	Rae	

\* cited by examiner

*Primary Examiner* — Holly Baynham

(74) *Attorney, Agent, or Firm* — McCarter & English, LLP

(57) **CLAIM**

The ornamental design for a tool case, as shown and described.

**DESCRIPTION**

FIG. 1 is a perspective view of a tool case showing the present invention;

FIG. 2 is a left elevational view thereof;

FIG. 3 is a right elevational view thereof;

FIG. 4 is a top plan view thereof;

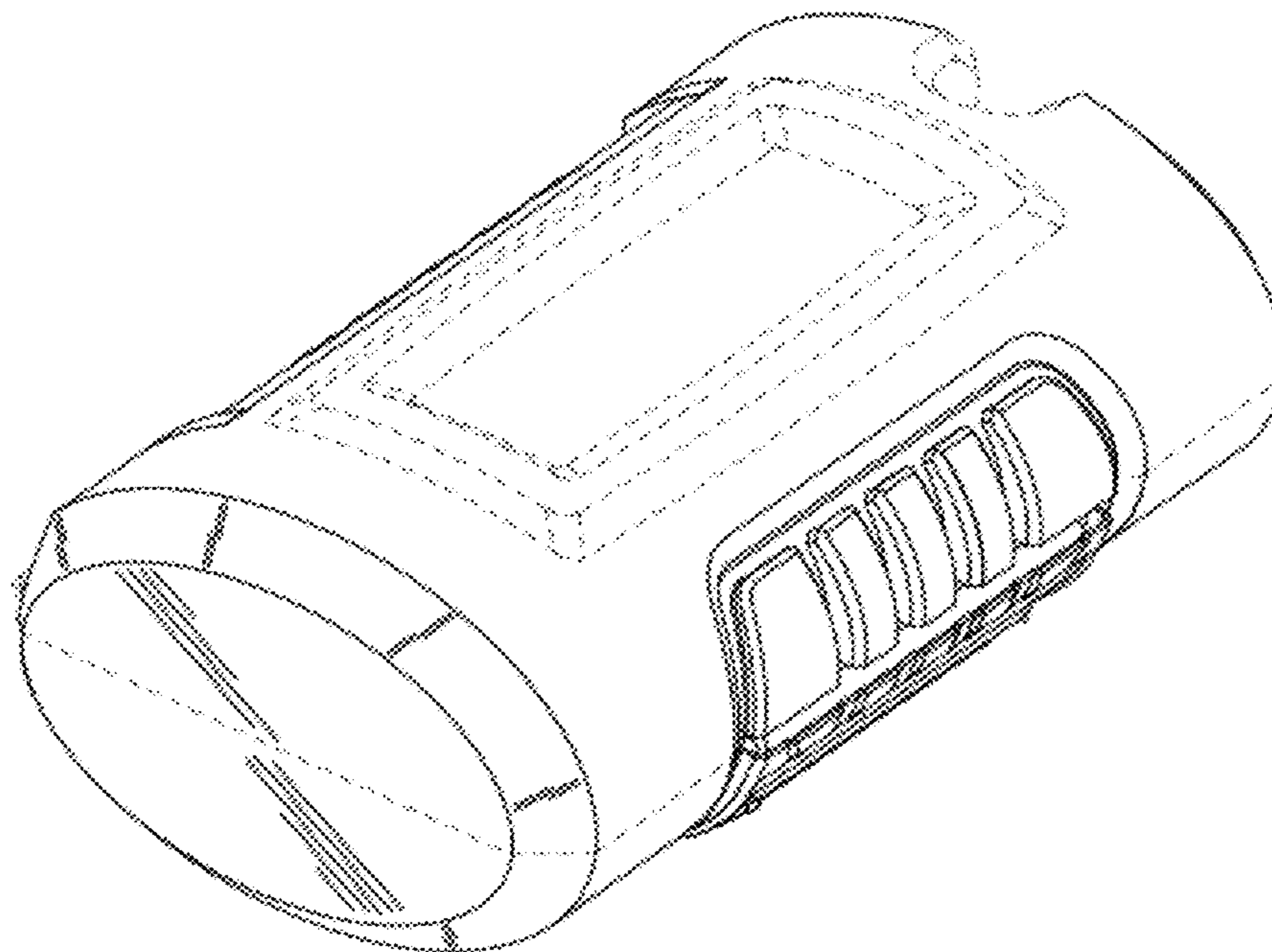
FIG. 5 is a bottom plan view thereof;

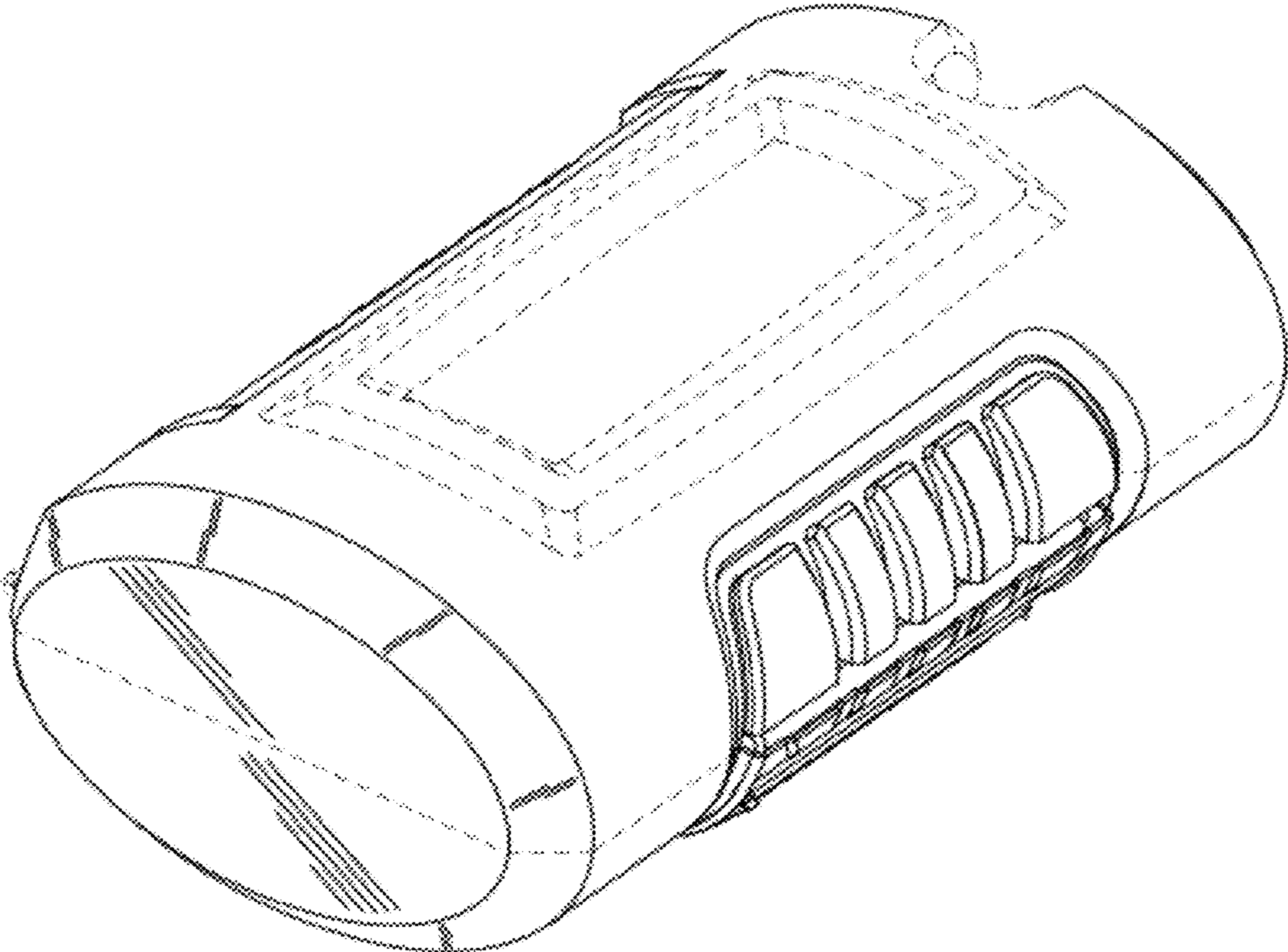
FIG. 6 is a rear elevational view thereof; and,

FIG. 7 is a front elevational view thereof.

The broken lines showing portions of tool case are for the purposes of illustrating environment and forms no part of the claimed design.

**1 Claim, 7 Drawing Sheets**





*FIG. 1*

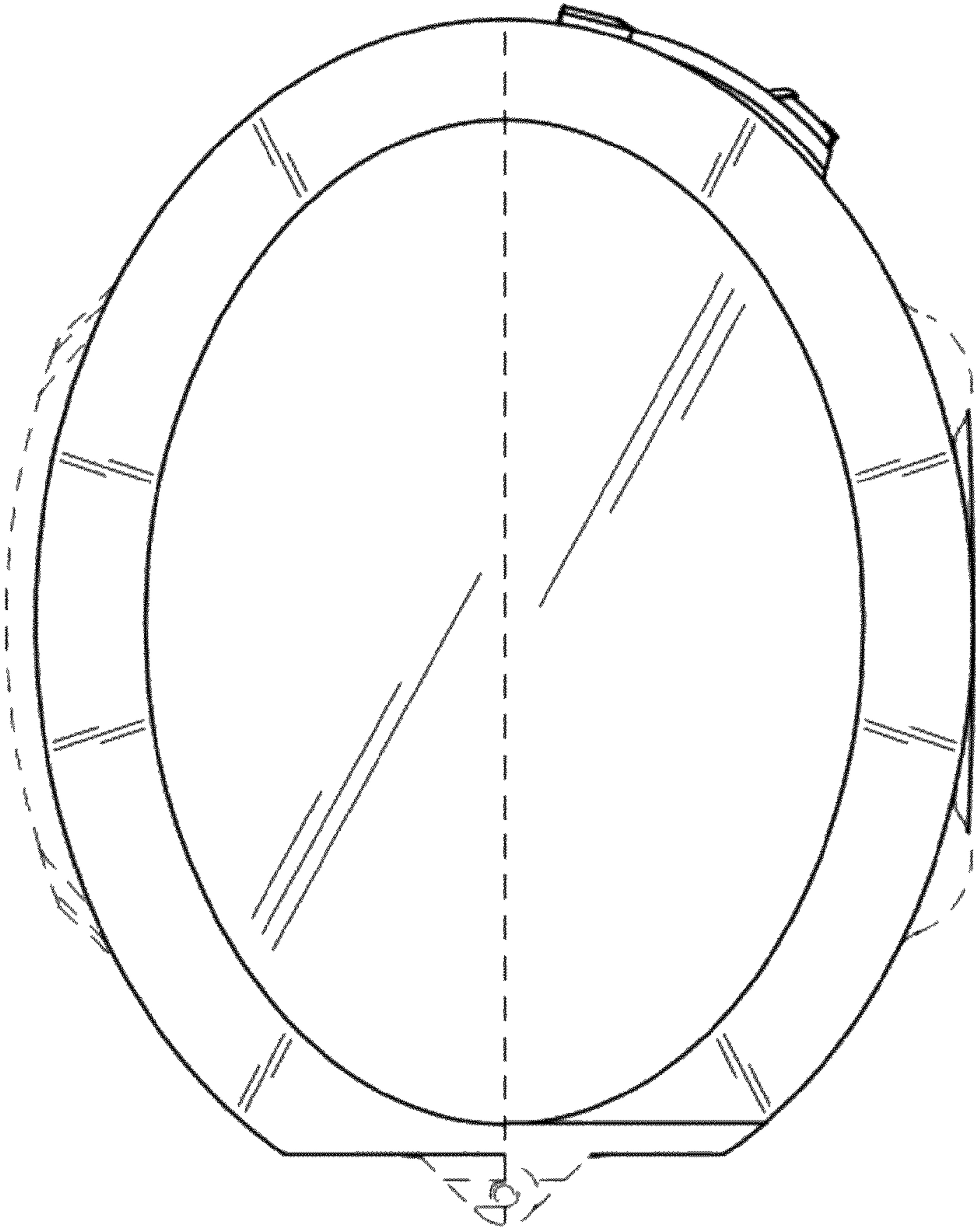


FIG. 2



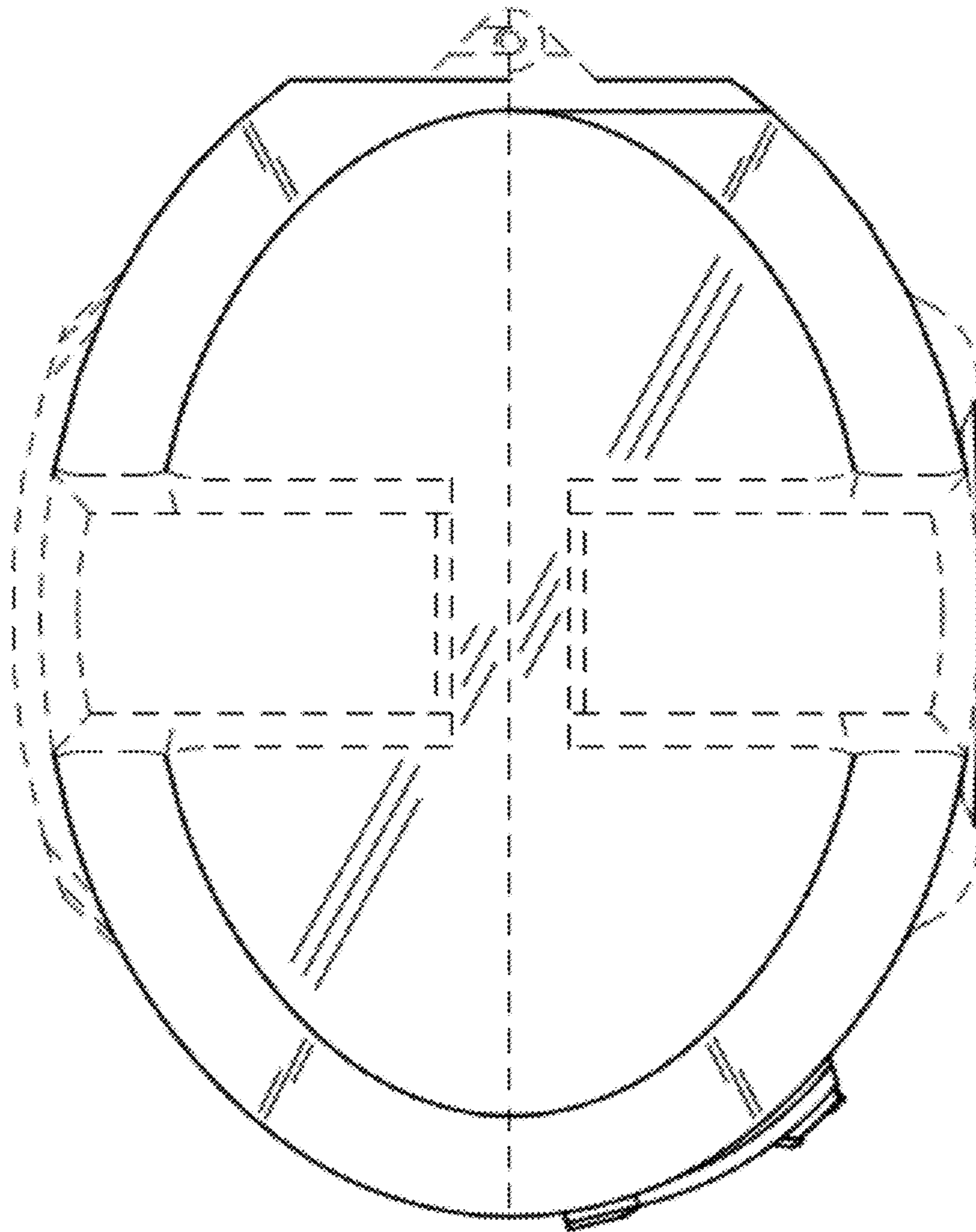


FIG. 3

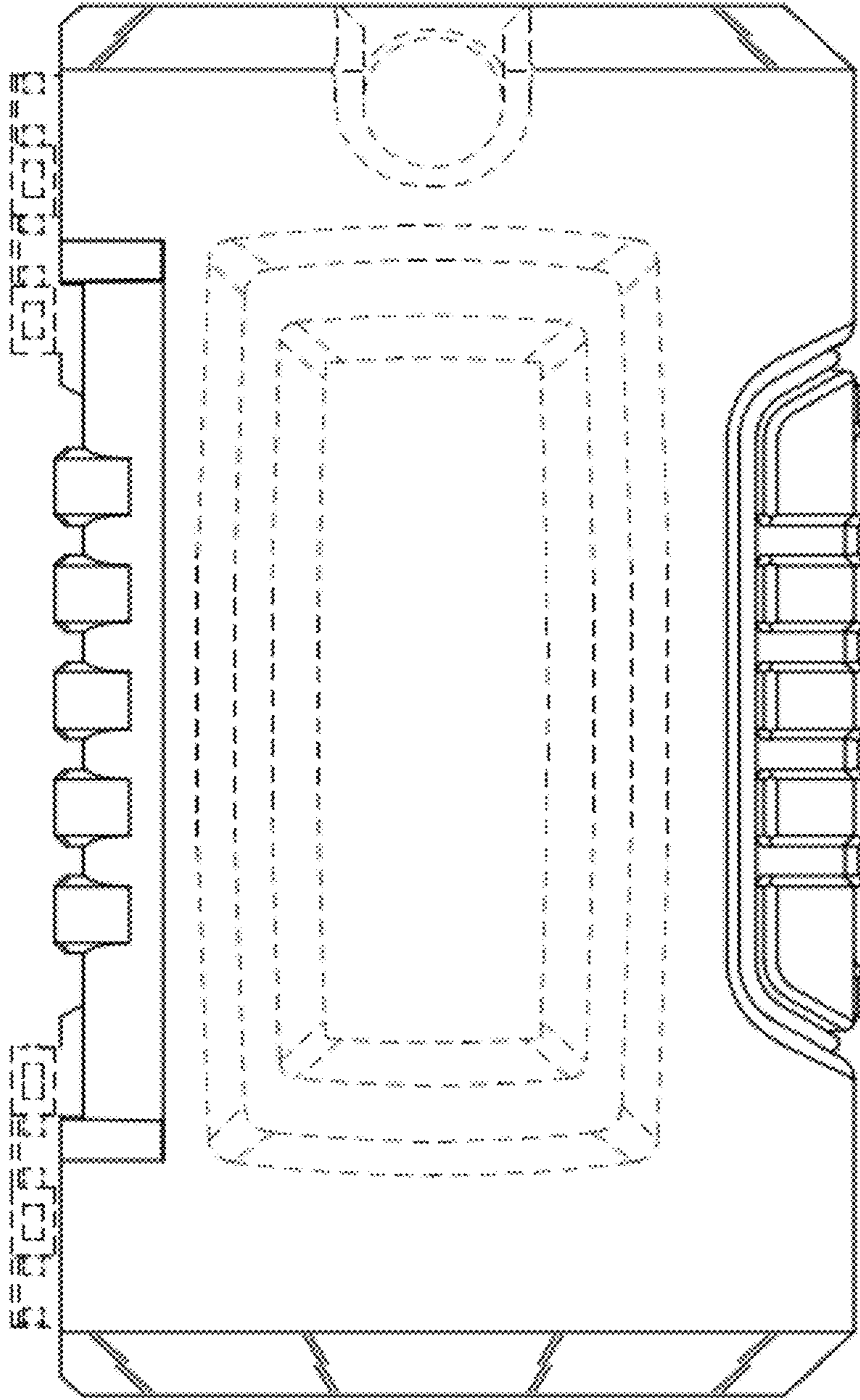


FIG. 4

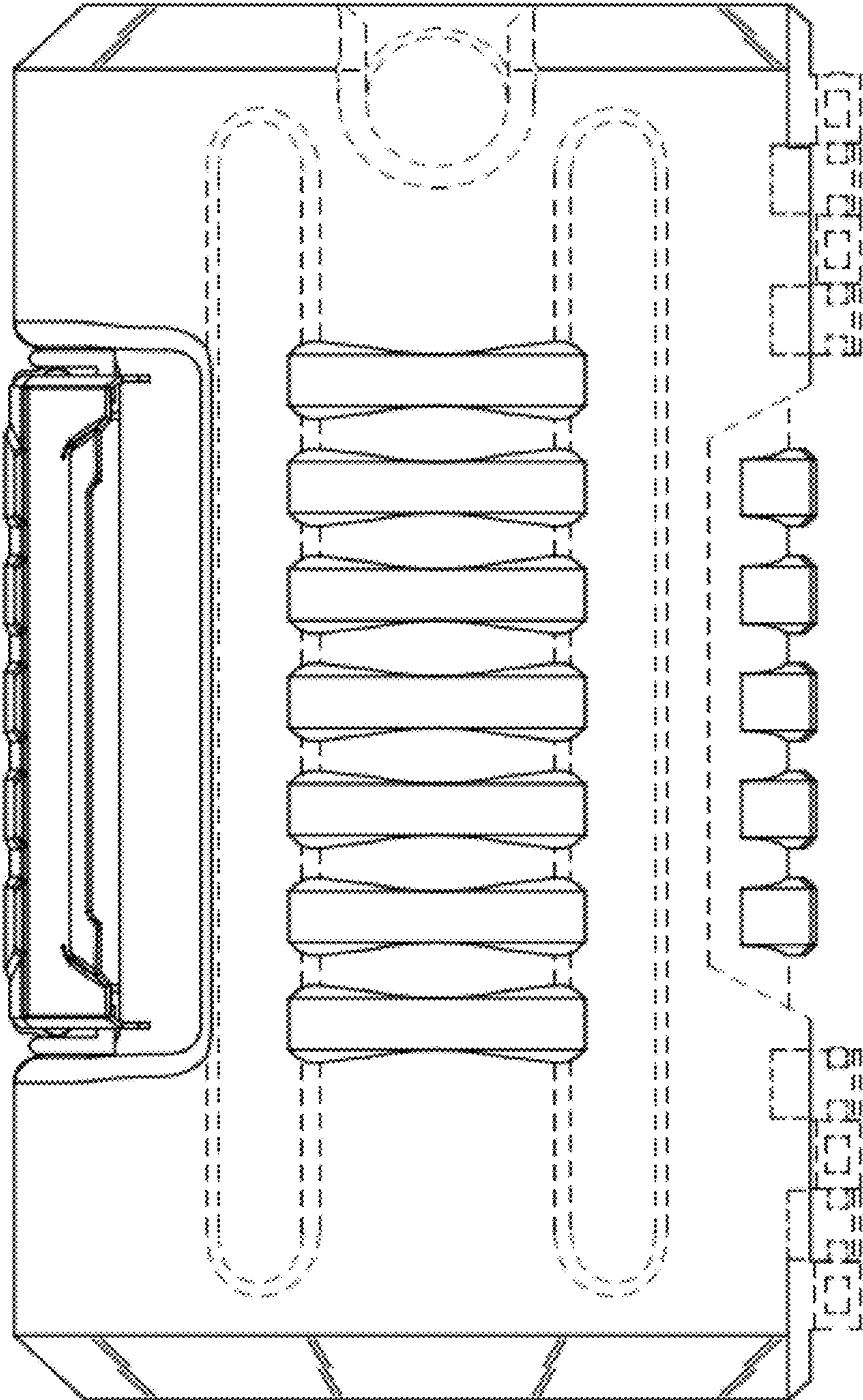


FIG. 5



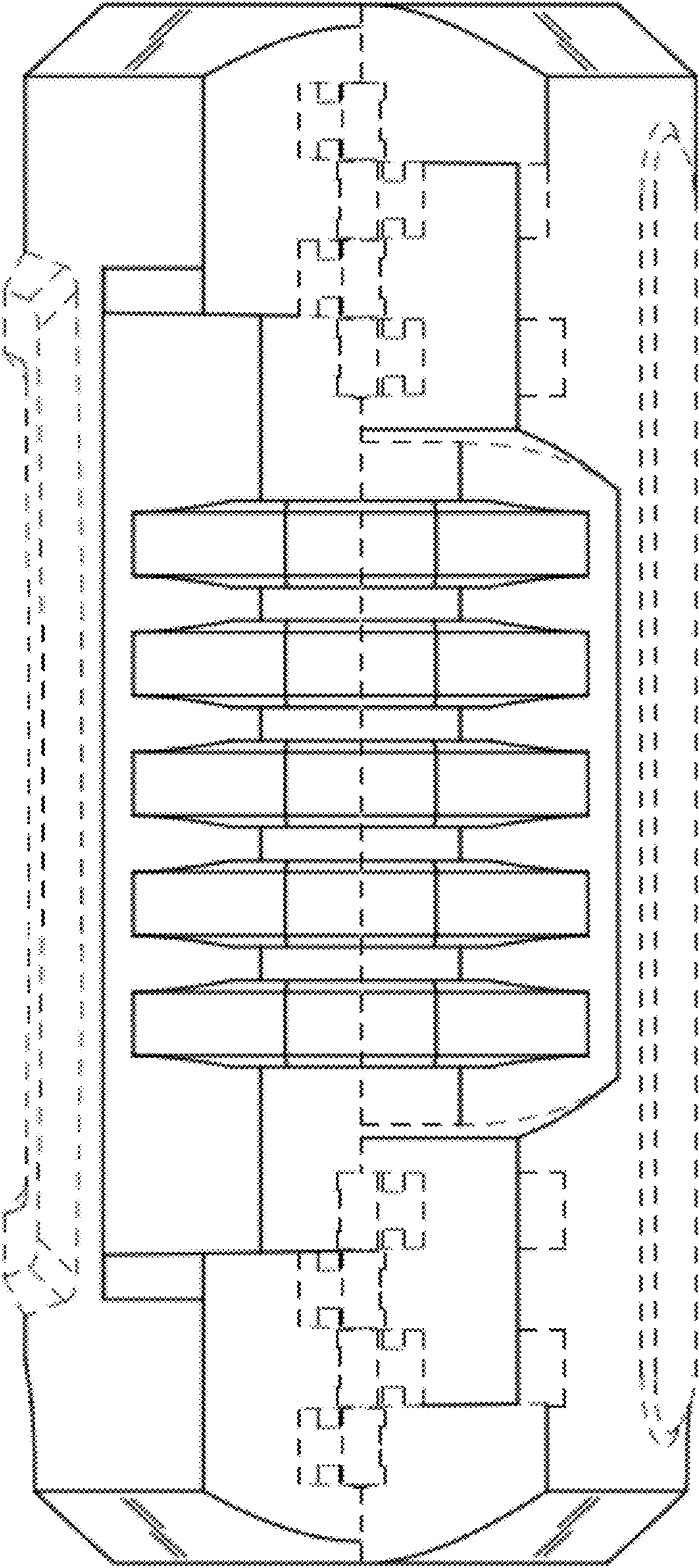


FIG. 6

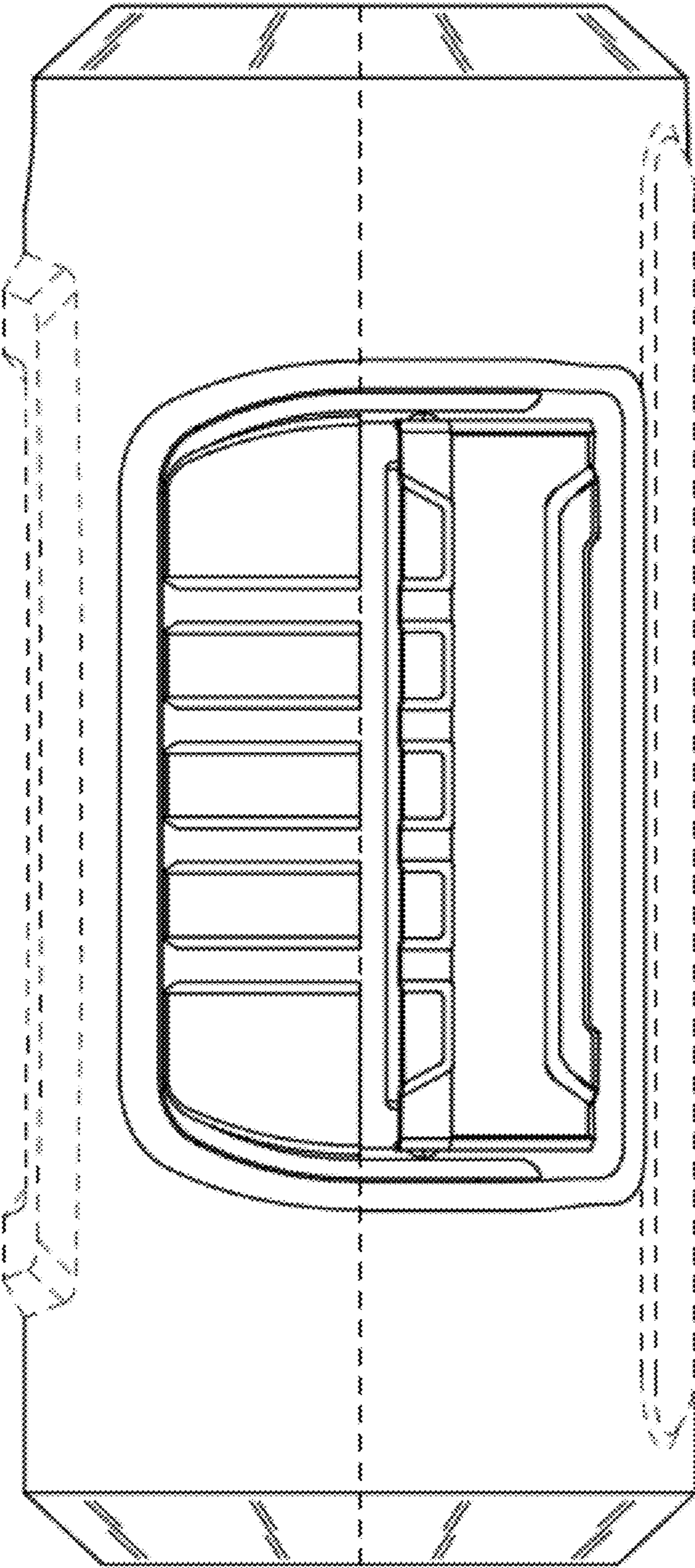


FIG. 7