



US00D676653S

(12) **United States Design Patent**
Leblanc

(10) **Patent No.:** **US D676,653 S**

(45) **Date of Patent:** **** Feb. 26, 2013**

(54) **CONTAINER**

(75) Inventor: **Julie Leblanc**, Laval (CA)

(73) Assignee: **MEGA Brands Inc.**, Montreal, Quebec (CA)

(**) Term: **14 Years**

(21) Appl. No.: **29/388,982**

(22) Filed: **Apr. 5, 2011**

(51) **LOC (9) Cl.** **03-01**

(52) **U.S. Cl.** **D3/289; D3/301**

(58) **Field of Classification Search** D3/273,
D3/276, 289, 291, 301; D9/727-729, 529,
D9/542, 558, 530; D7/603; D28/76; D6/364;
383/12, 6, 15, 16, 61.3, 97, 21, 25-26
See application file for complete search history.

(56) **References Cited**

U.S. PATENT DOCUMENTS

D232,214 S	7/1974	Biderman	
5,035,324 A	7/1991	Bertrand	
D391,074 S	2/1998	Bean et al.	
D399,622 S	10/1998	Rashid	
D404,867 S	1/1999	Rashid	
D466,809 S	12/2002	Sagel	
D478,669 S *	8/2003	Wear	D24/197
D525,872 S *	8/2006	Haubert et al.	D9/529
D527,644 S *	9/2006	Bakic	D9/539
D530,223 S	10/2006	Mau et al.	
D563,099 S *	3/2008	Sandman	D3/257
7,549,548 B2 *	6/2009	Kraus et al.	215/396
D605,051 S *	12/2009	Bohache et al.	D9/530
D611,253 S *	3/2010	Lown et al.	D3/301
D652,214 S *	1/2012	Swartz et al.	D3/301
D660,597 S *	5/2012	Leblanc	D3/318
2003/0217623 A1 *	11/2003	Brown	81/437
2006/0213856 A1 *	9/2006	Kraus et al.	215/11.1
2007/0065049 A1 *	3/2007	Allredge-Howard et al.	383/8
2008/0302680 A1 *	12/2008	Lord	206/232

OTHER PUBLICATIONS

Excerpt of Toys-R-Us Product Circular, Oct. 31-Nov. 24, 2010, including cover and pp. 6 and 56.

Excerpt of Mega Bloks 2002 Product Catalog, including cover, unnumbered page, and pp. 6 and 7.

Excerpt of Mega Bloks 2003 Product Catalog, including cover and pp. 2 and 20.

Excerpt of Mega Bloks 2004 Product Catalog, including cover, table of contents, and p. 8.

Excerpt of Mega Bloks International 2005 Product Catalog, including cover, table of contents (p. 1), and p. 9.

Excerpt of Mega Bloks International 2006 Product Catalog, including cover, table of contents, and p. 2.

Excerpt of Mega Brands Inc. International 2007 Product Catalog, including cover, table of contents, and pp. 4 and 14.

Excerpt of Mega Brands Inc. International 2008 Toys & Activities Product Catalog, including cover, table of contents, and pp. 5 and 13.

Excerpt of Mega Brands Inc. 2010 Product Catalog, including cover, table of contents, and p. 4.

* cited by examiner

Primary Examiner — Jennifer Rivard

(74) *Attorney, Agent, or Firm* — Plumsea Law Group, LLC

(57) **CLAIM**

I claim the ornamental design for a container, as shown and described.

DESCRIPTION

FIG. 1 is a rear perspective view of a container showing the new design;

FIG. 2 is a right side elevational view of the container of FIG. 1;

FIG. 3 is a left side elevational view of the container of FIG. 1;

FIG. 4 is a rear elevational view of the container of FIG. 1;

FIG. 5 is a front elevational view of the container of FIG. 1;

FIG. 6 is a bottom plan view of the container of FIG. 1;

FIG. 7 is a top plan view of the container of FIG. 1;

FIG. 8 is a rear perspective view of a second embodiment of FIG. 1;

FIG. 9 is a right side elevational view of the container of FIG. 8;

FIG. 10 is a left side elevational view of the container of FIG. 8;

FIG. 11 is a rear elevational view of the container of FIG. 8;

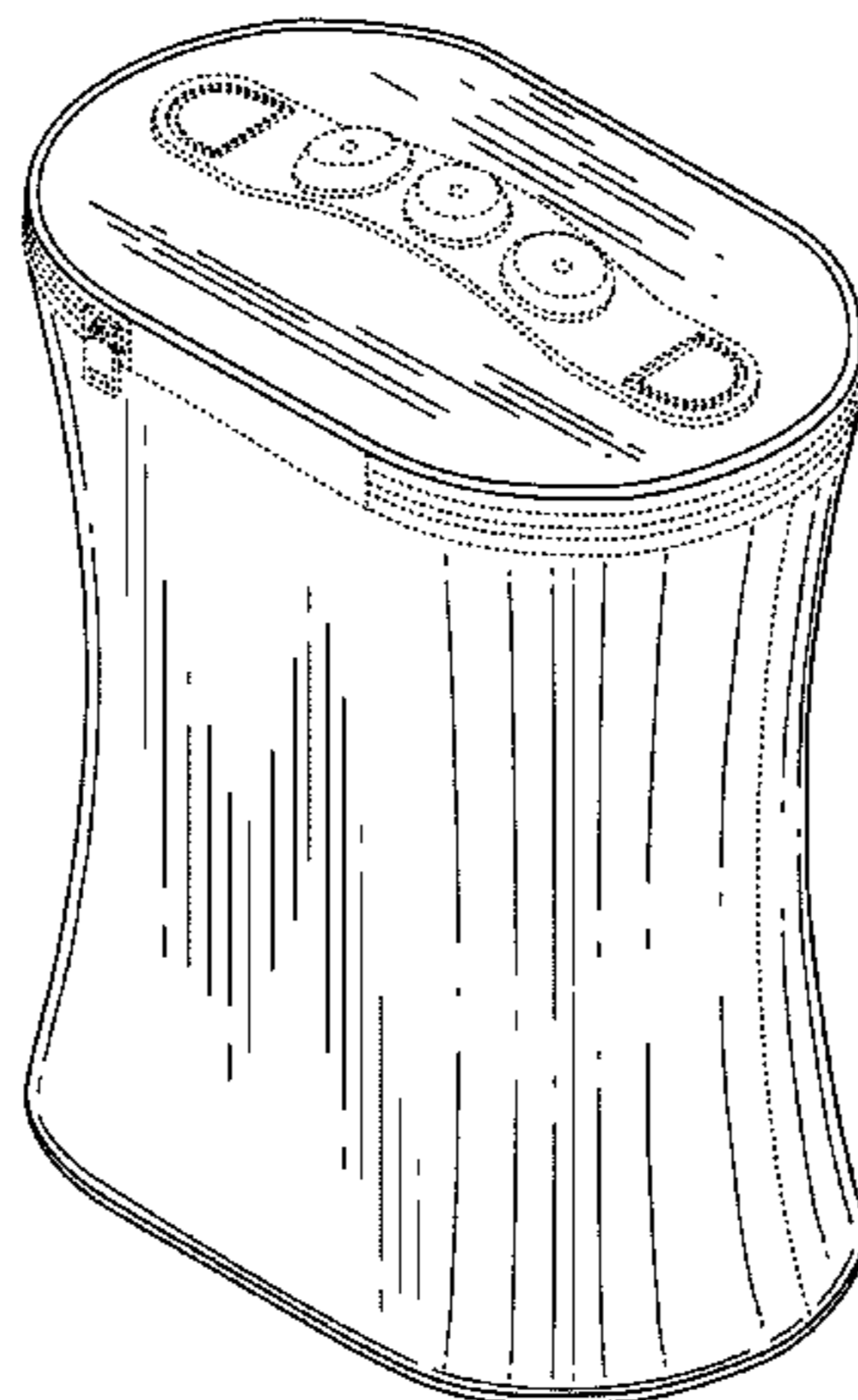
FIG. 12 is a front elevational view of the container of FIG. 8;

FIG. 13 is a bottom plan view of the container of FIG. 8; and,

FIG. 14 is a top plan view of the container of FIG. 8.

The broken line showings of the zipper, trim, and handle are for illustrative purposes only, and are not part of the claimed design. The shading illustrated in the figures is provided merely to represent the contour of the design and is not intended to be illustrative of, for example, texture, gloss, color, translucence, transparency, or surface decoration.

1 Claim, 12 Drawing Sheets



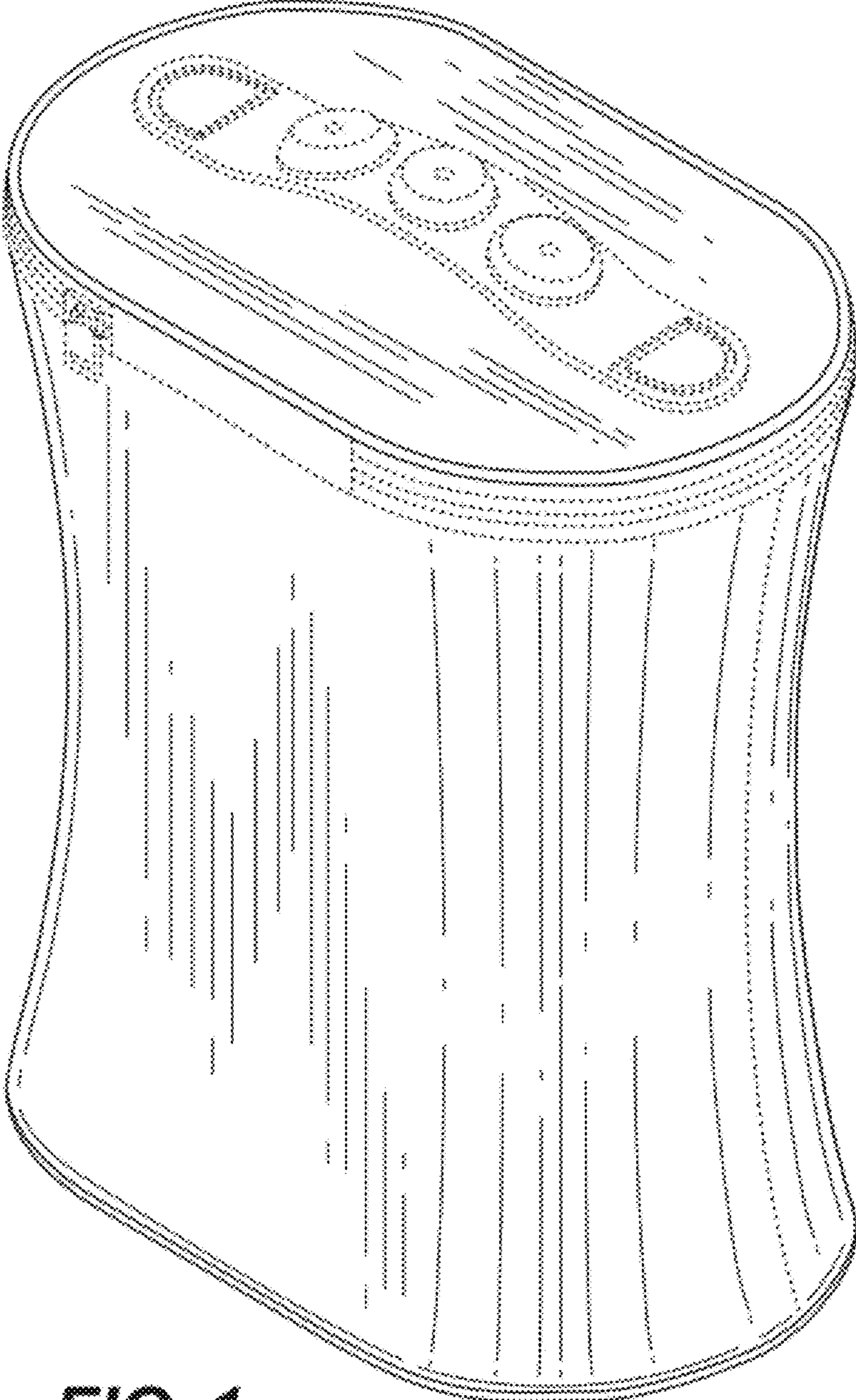


FIG. 1

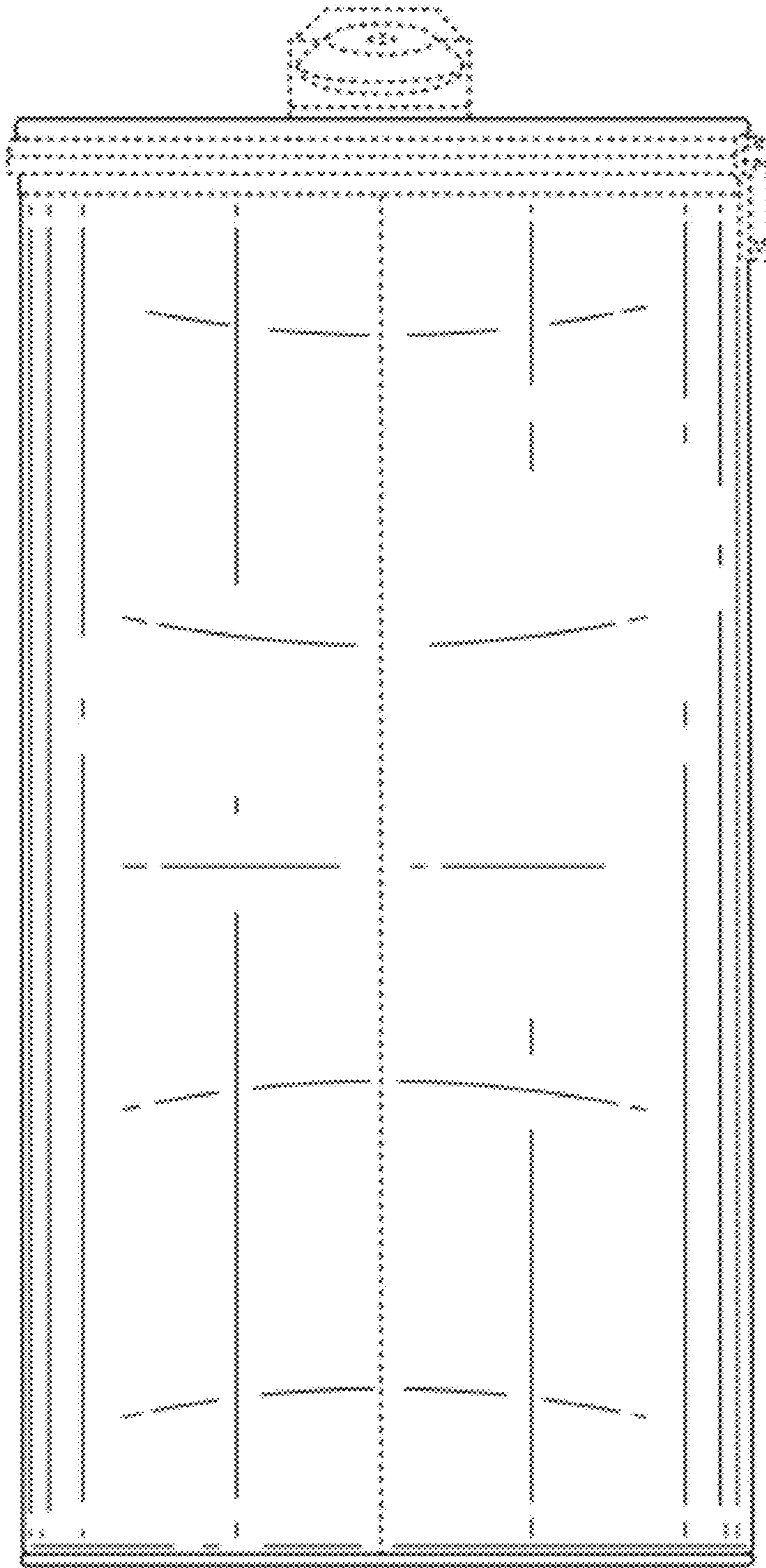


FIG. 2

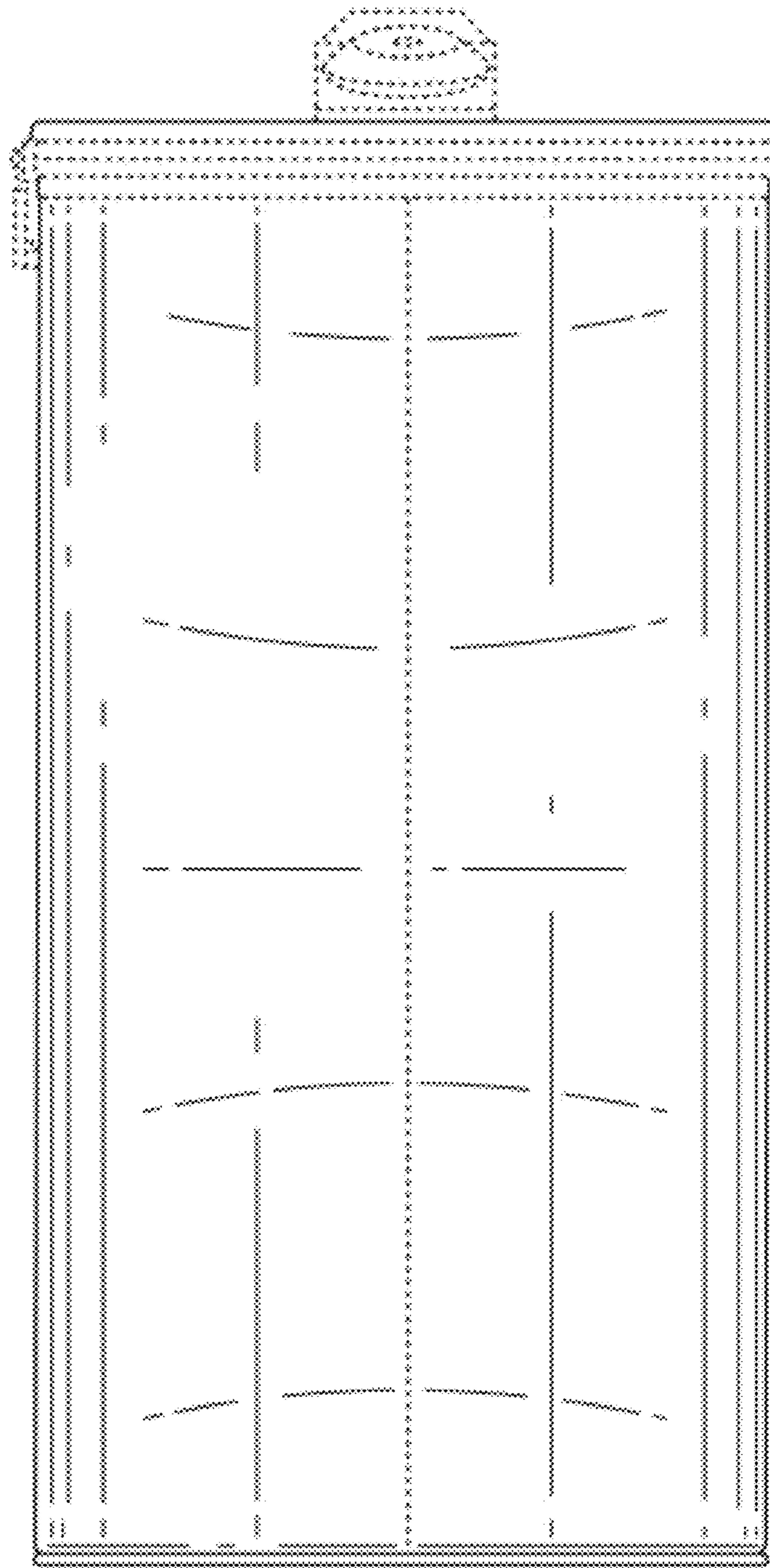


FIG. 3

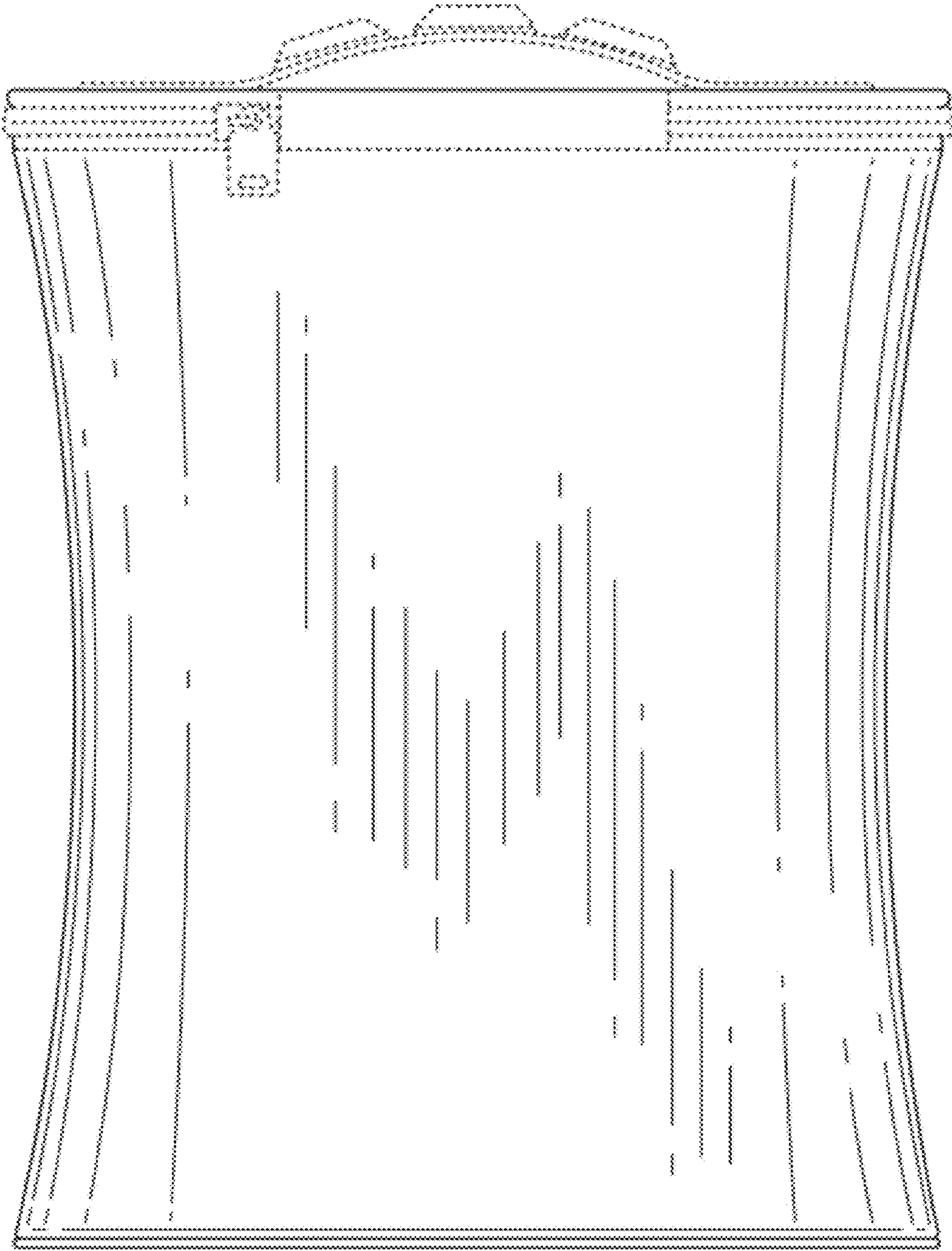


FIG. 4

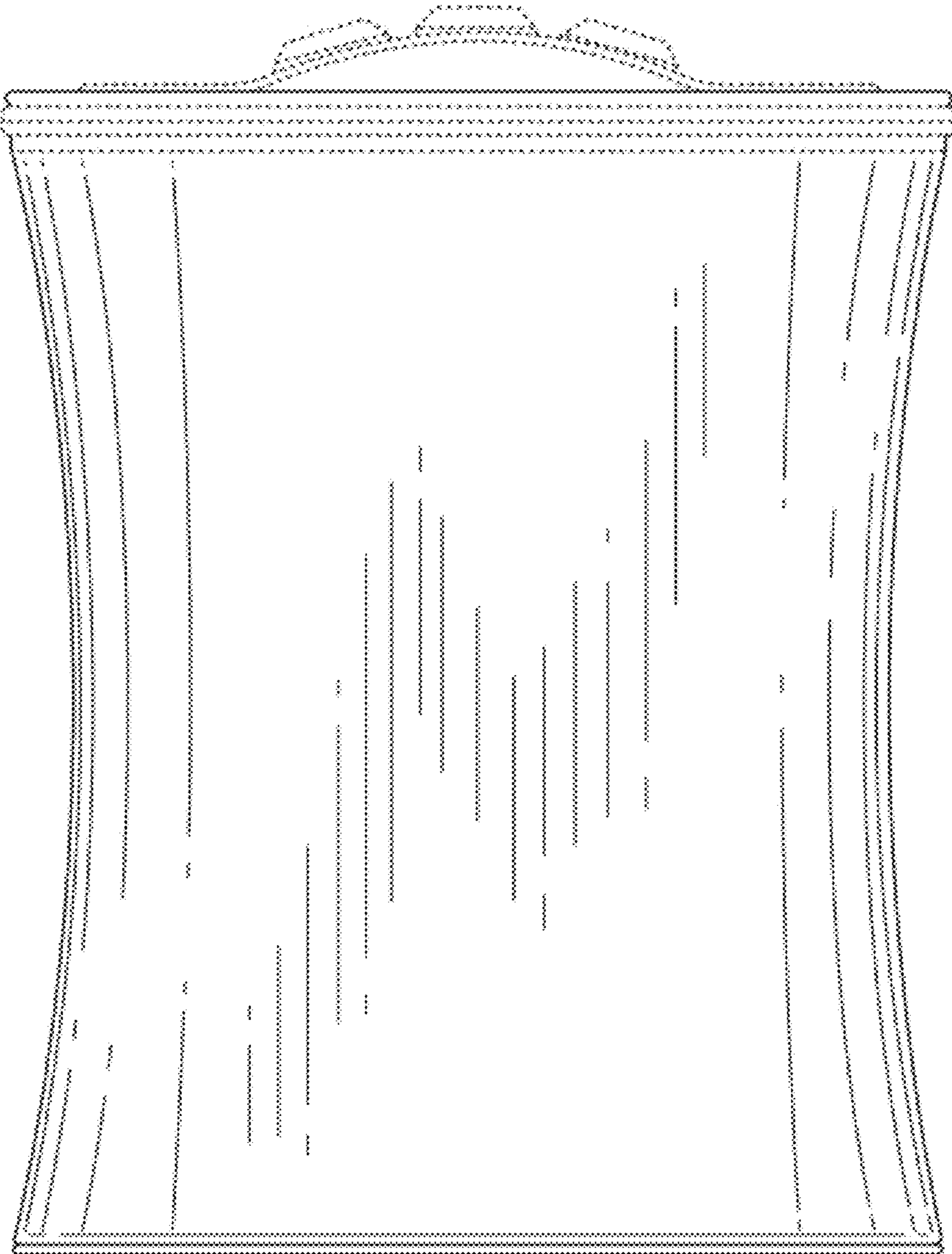


FIG. 5

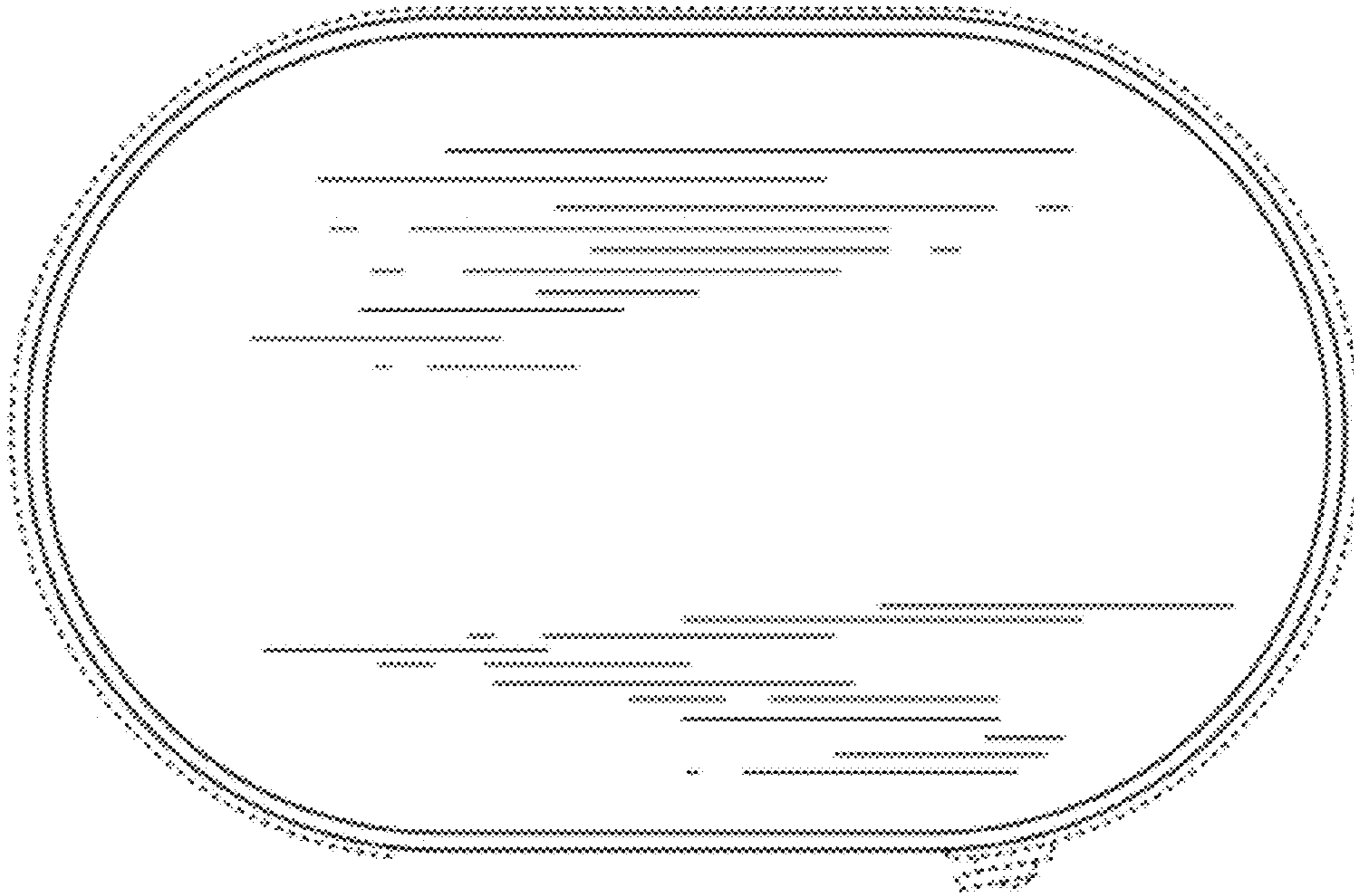


FIG. 6

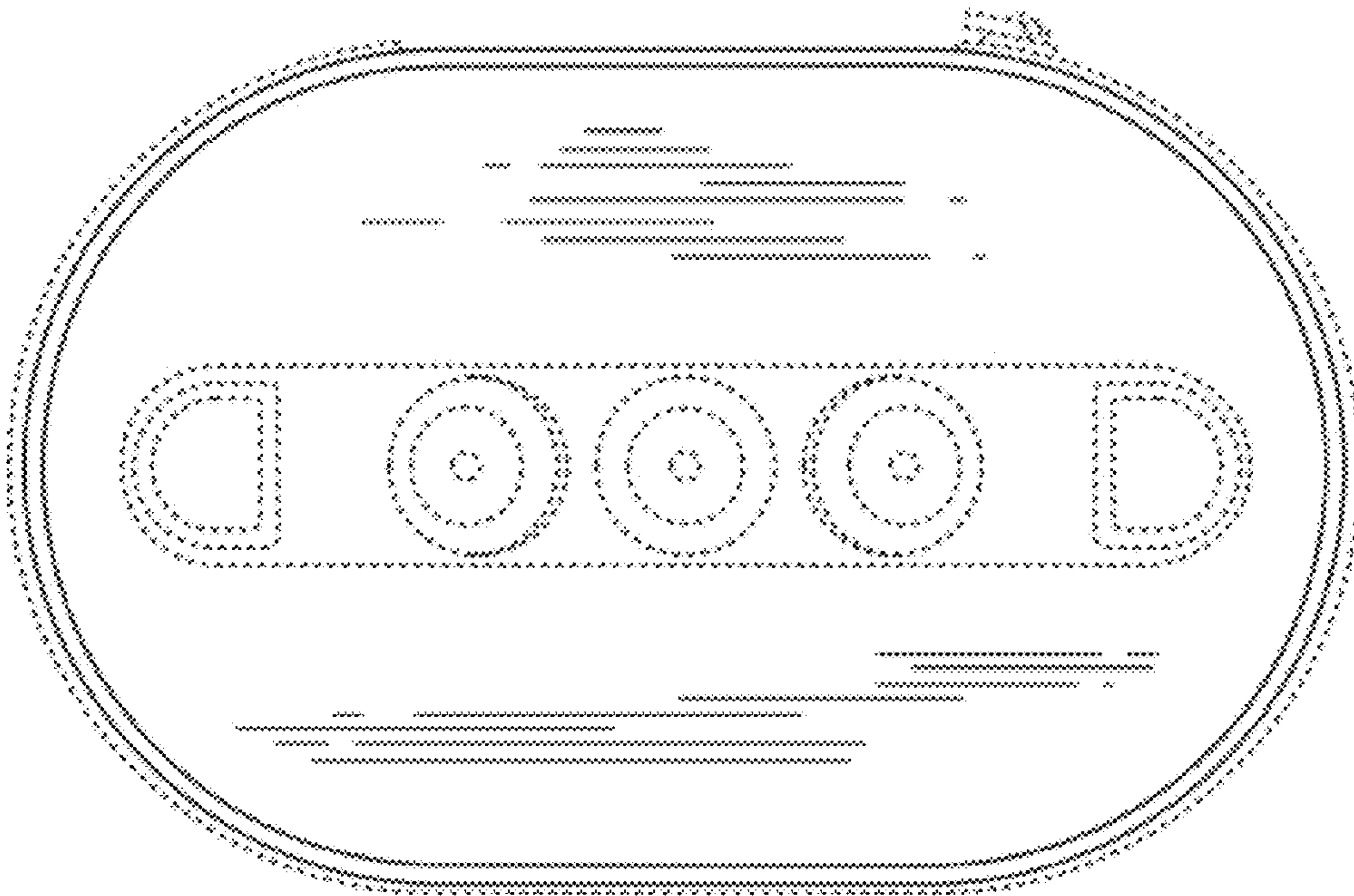


FIG. 7

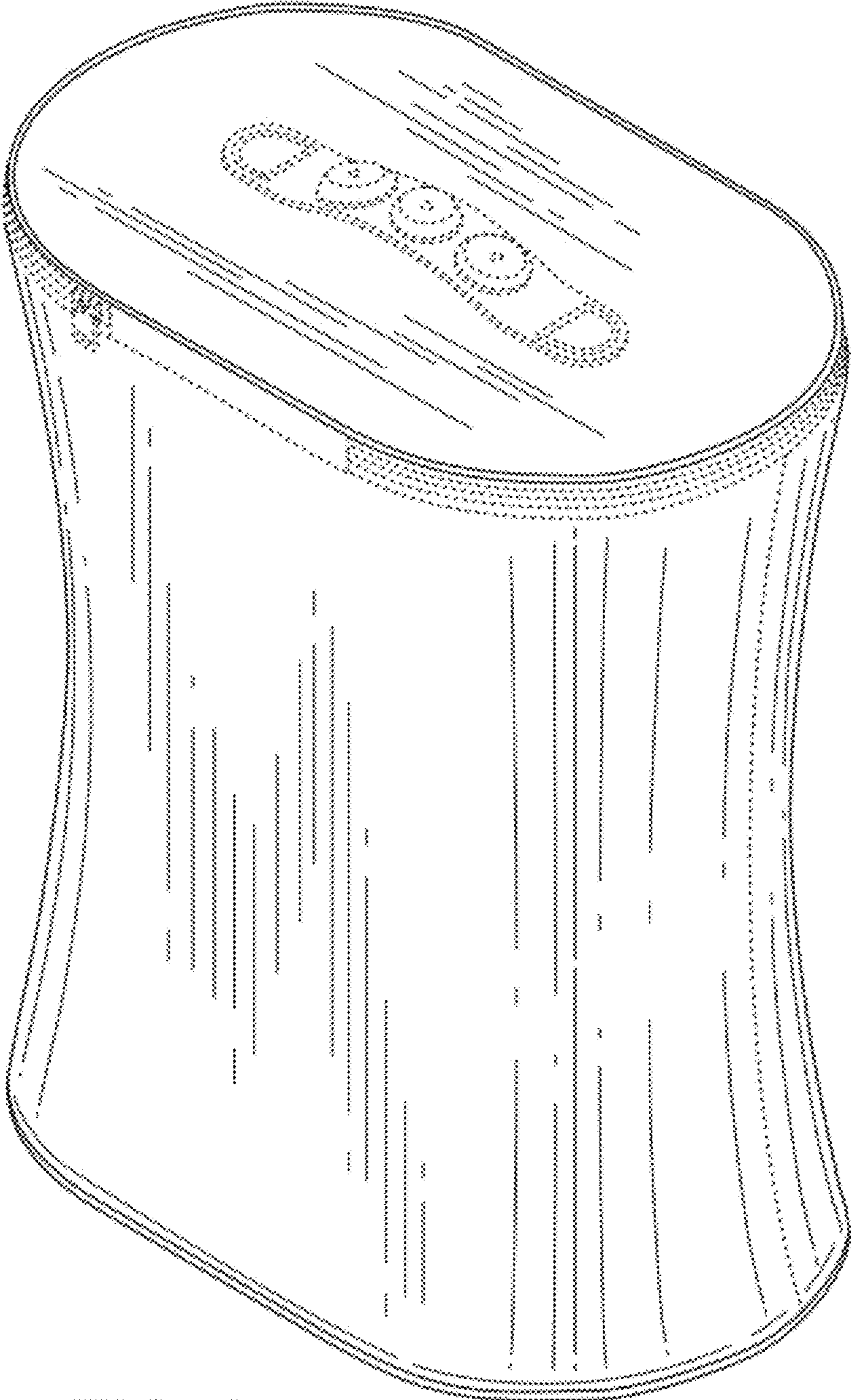


FIG. 8

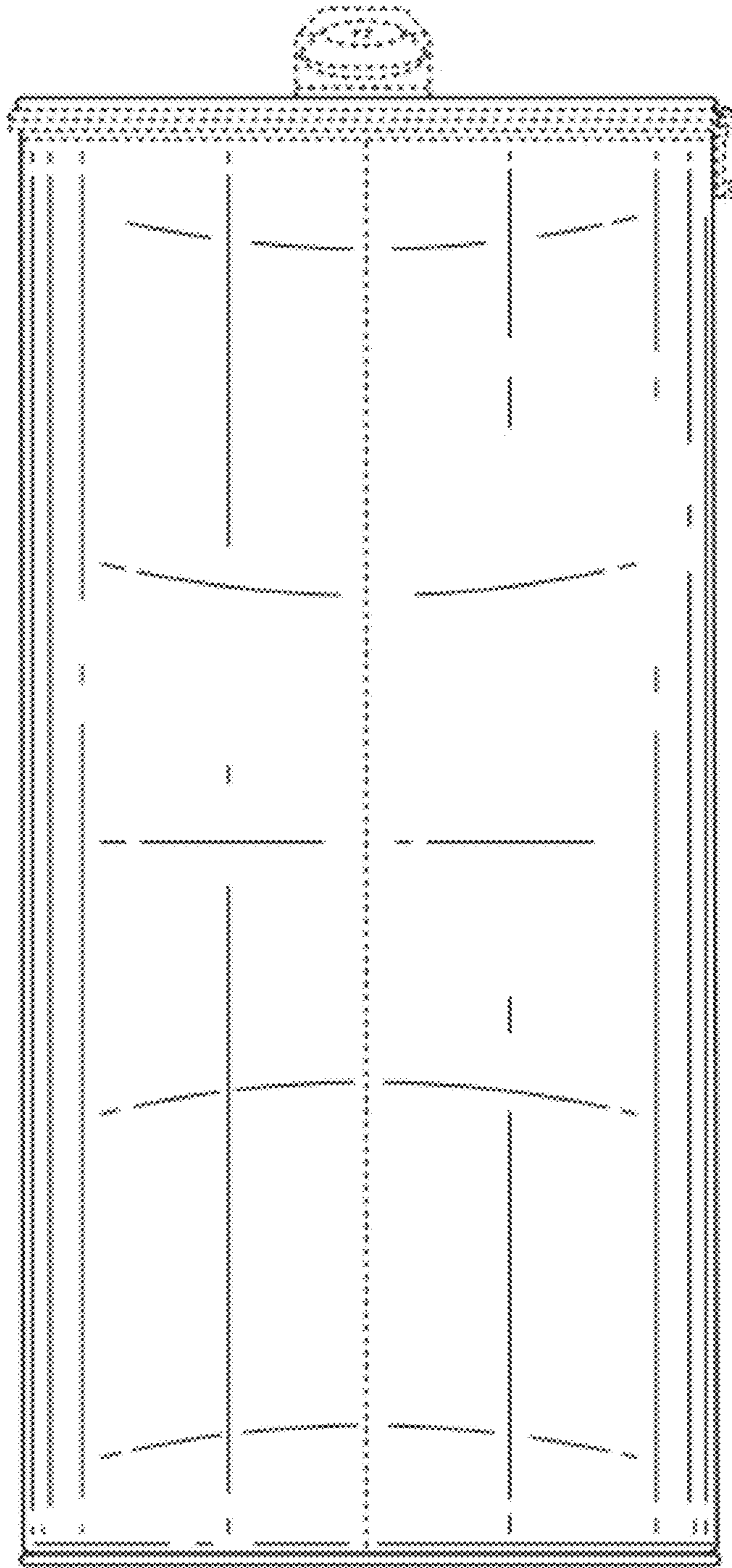


FIG. 9

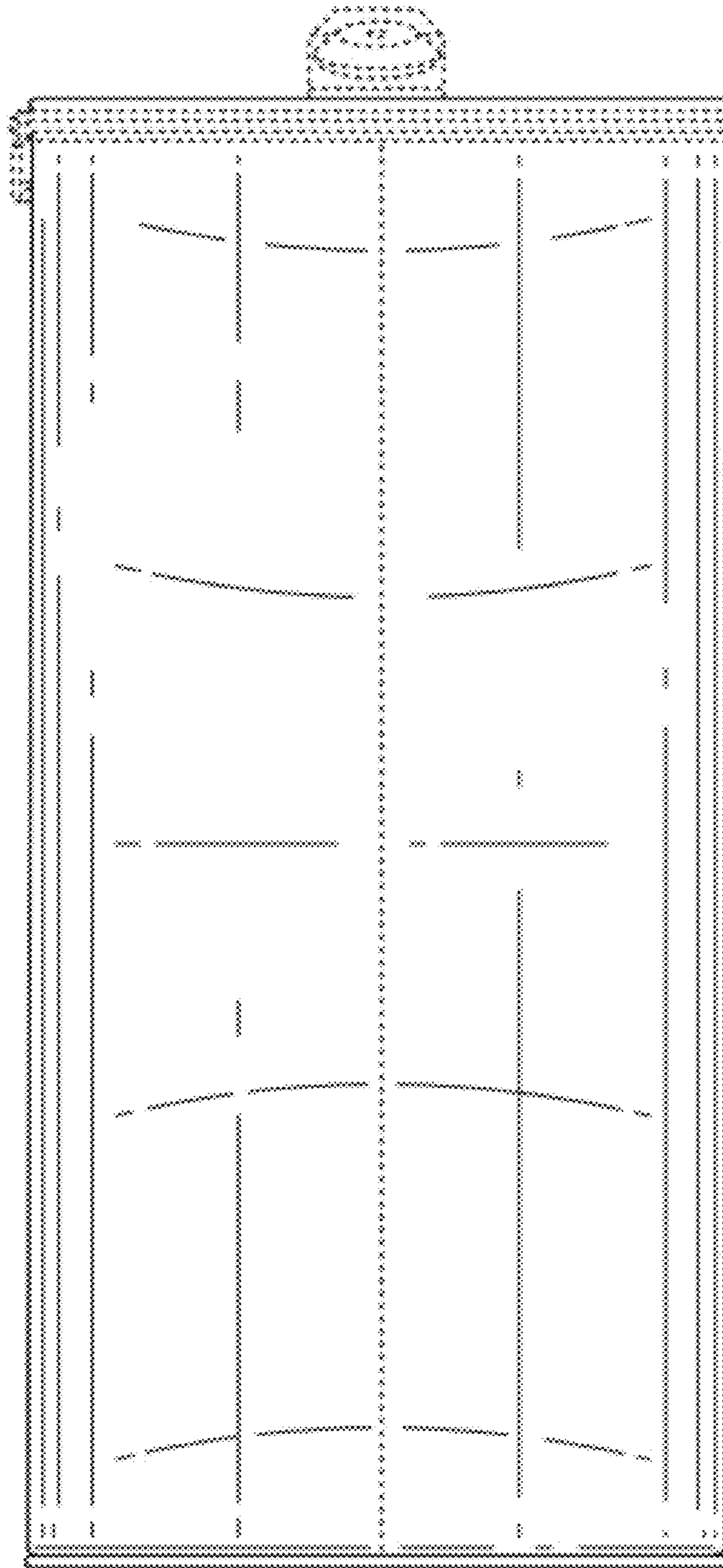


FIG. 10

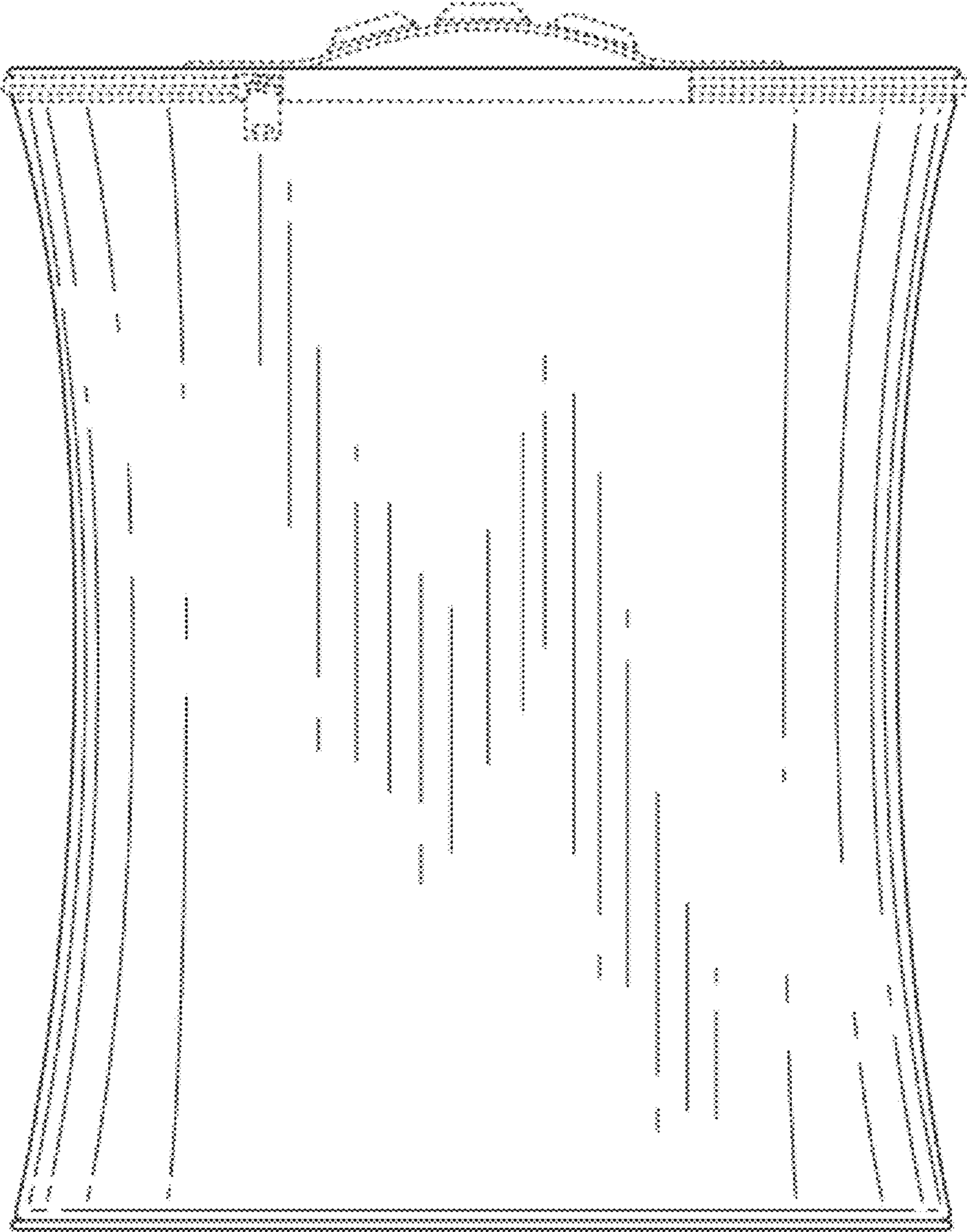


FIG. 11

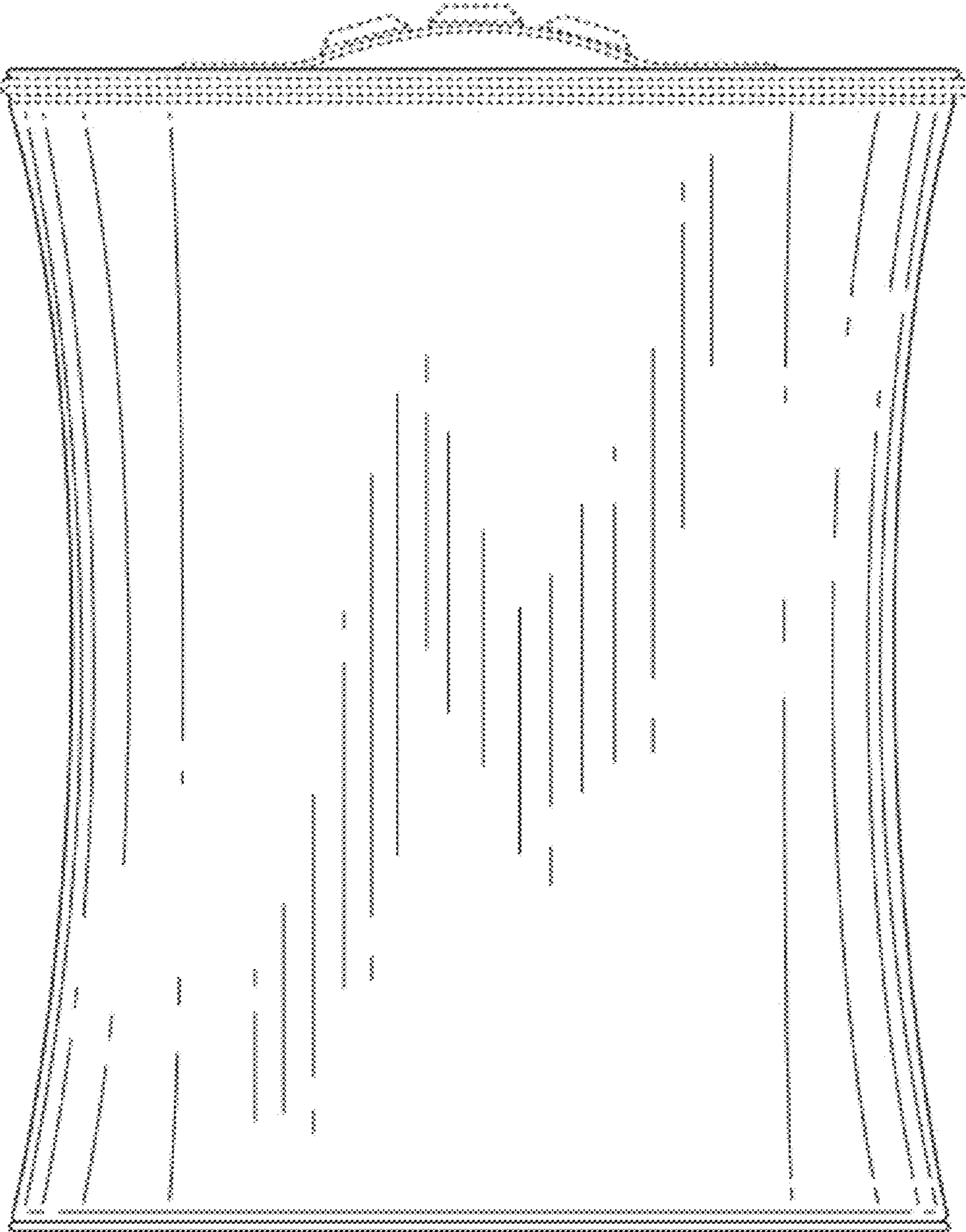


FIG. 12

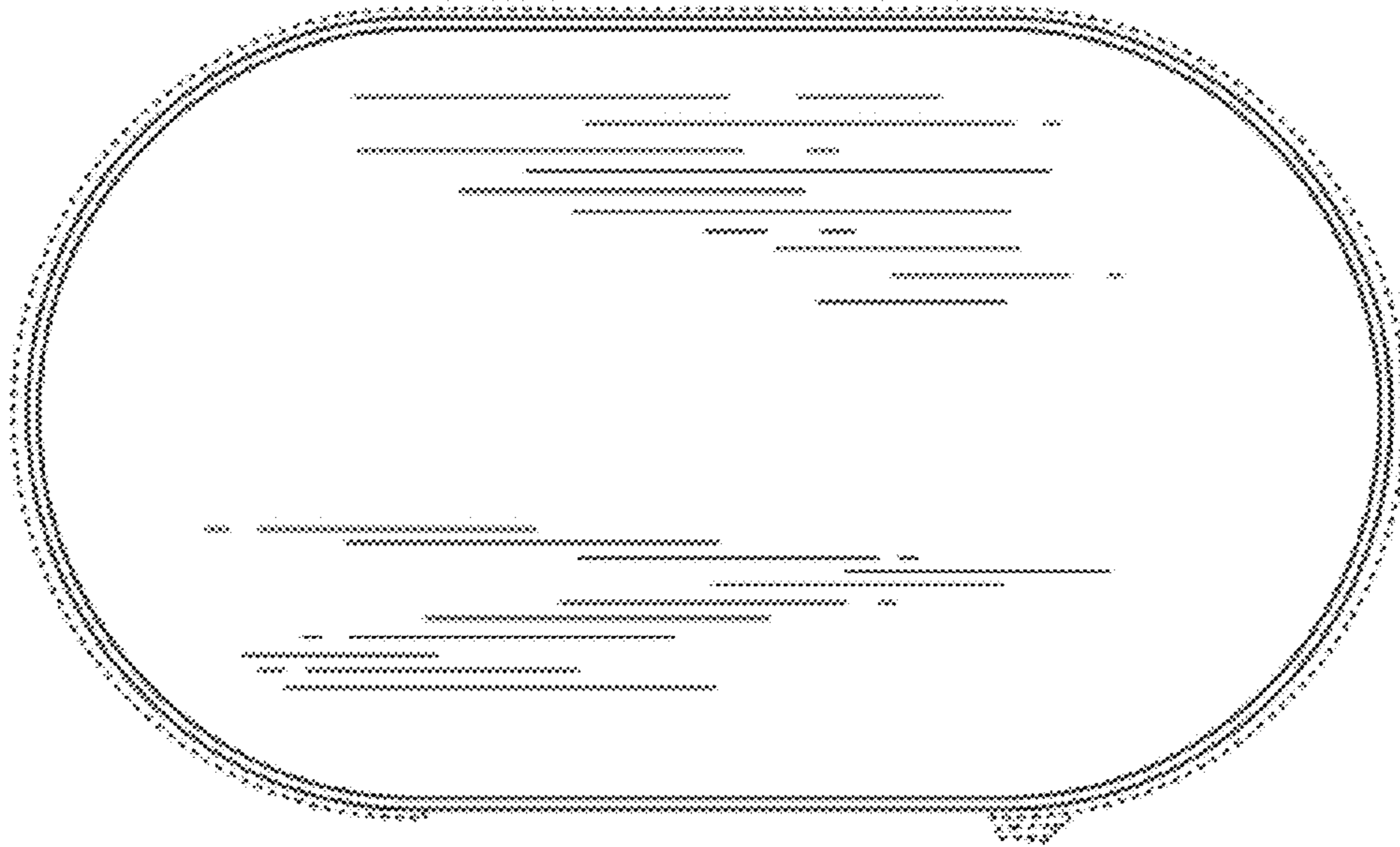


FIG. 13

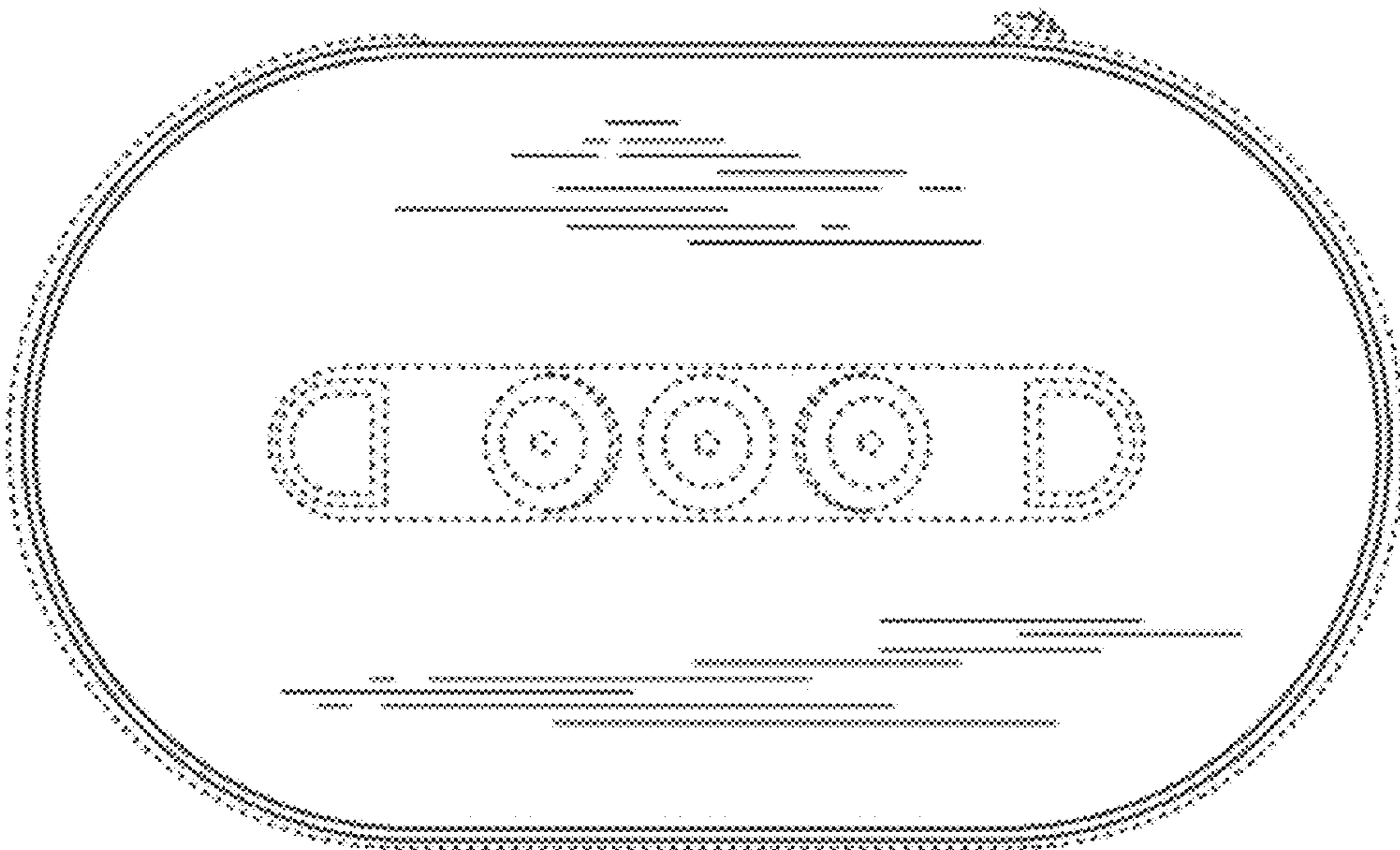


FIG. 14