



US00D676652S

(12) **United States Design Patent**
Holloway et al.

(10) **Patent No.:** **US D676,652 S**

(45) **Date of Patent:** **** Feb. 26, 2013**

(54) **SMALL LEATHER CARRYING ARTICLE**

(75) Inventors: **Simon Holloway**, London (GB); **Nicolas Baurain**, London (GB)

(73) Assignee: **J. Choo Limited**, London (GB)

(**) Term: **14 Years**

(21) Appl. No.: **29/395,160**

(22) Filed: **Dec. 7, 2011**

(30) **Foreign Application Priority Data**

Jun. 9, 2011 (EM) 001876061-0015

(51) **LOC (9) Cl.** **03-01**

(52) **U.S. Cl.** **D3/232**

(58) **Field of Classification Search** D3/232-233,
D3/240-246, 318, 324; 150/100, 103-110,
150/113-114, 117-119

See application file for complete search history.

(56) **References Cited**

U.S. PATENT DOCUMENTS

D135,603 S	5/1943	Kalisher	
D136,014 S	7/1943	Kalisher	
D137,666 S *	4/1944	Jolles	D3/245
D139,915 S	1/1945	Rotkel	
D142,482 S *	10/1945	Kaphan	D3/245
D144,114 S *	3/1946	Kaphan	D3/245
D144,925 S *	6/1946	Kalisher	D3/245
D529,281 S	10/2006	Gonzalez	
D633,713 S *	3/2011	Bode	D3/232

OTHER PUBLICATIONS

U.S. Appl. No. 29/395,155, filed Dec. 7, 2011 first named inventor is Simon Holloway.

* cited by examiner

Primary Examiner — Holly Baynham

(74) *Attorney, Agent, or Firm* — Fross, Zelnick Lehrman & Zissu, P.C.; Lawrence E. Apolzon, Esq.

(57) **CLAIM**

The ornamental design for a small leather carrying article, as shown and described.

DESCRIPTION

FIG. 1 is a front perspective view of a small leather carrying article showing my new design;

FIG. 2 is a front view of the small leather carrying article shown in FIG. 1;

FIG. 3 is a rear view of the small leather carrying article shown in FIG. 1;

FIG. 4 is a left side view of the small leather carrying article shown in FIG. 1;

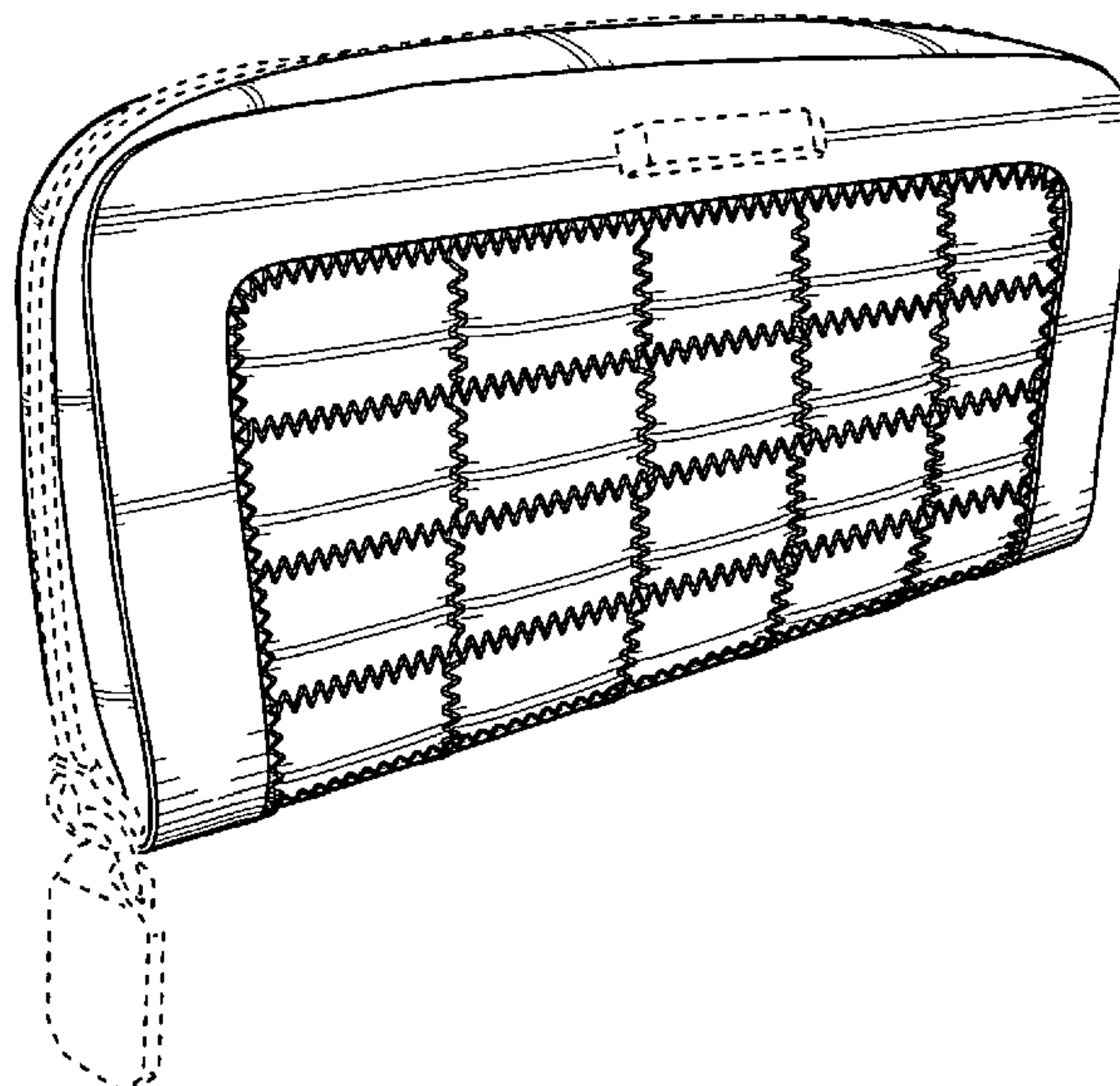
FIG. 5 is a right side view of the small leather carrying article shown in FIG. 1;

FIG. 6 is a top view of the small leather carrying article shown in FIG. 1; and,

FIG. 7 is a bottom view of the small leather carrying article shown in FIG. 1.

The broken line showing of the zipper, zipper pull, and plaque are included for the purpose of illustrating environmental structure and forms no part of the claimed design.

1 Claim, 3 Drawing Sheets



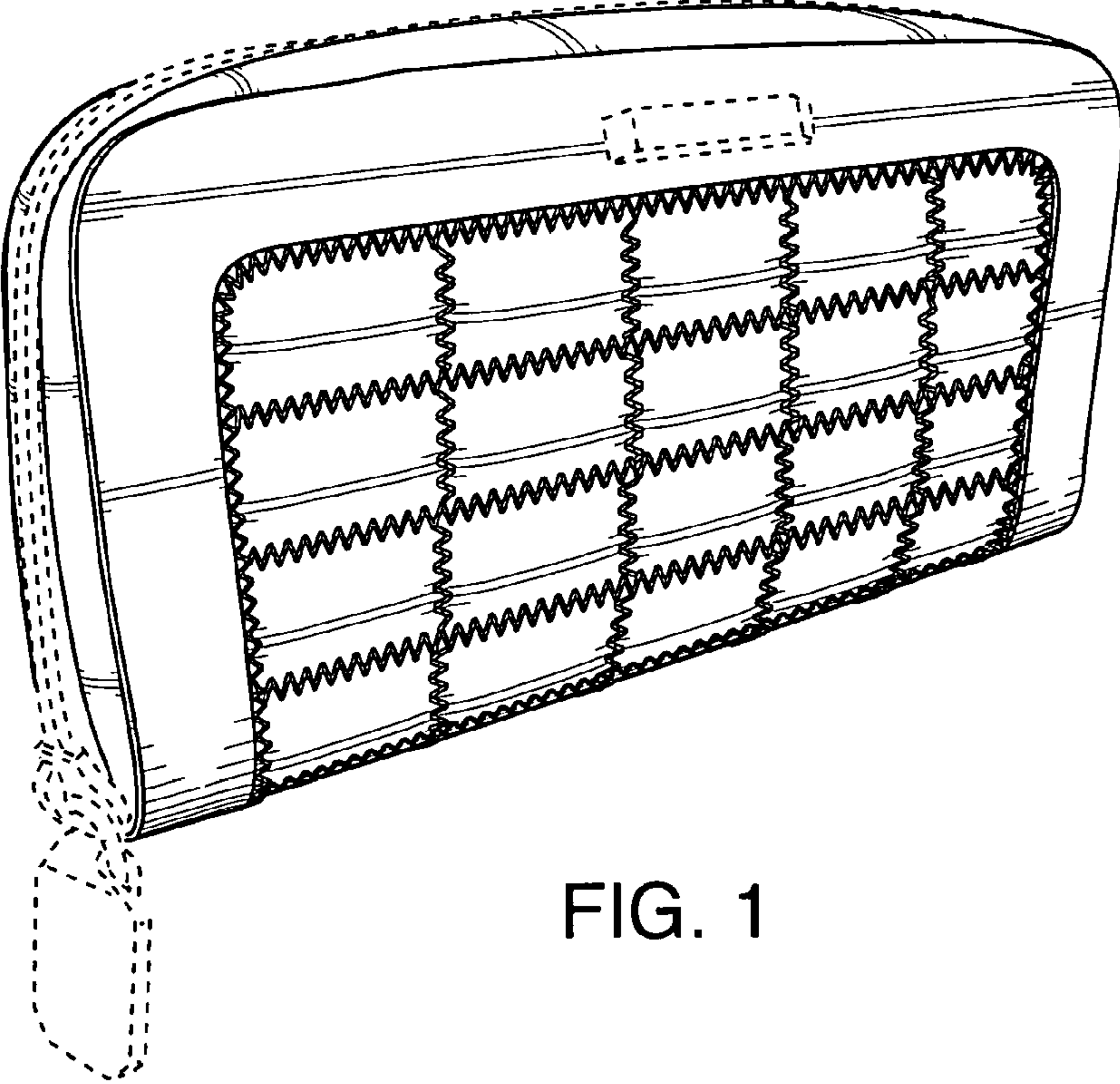


FIG. 1

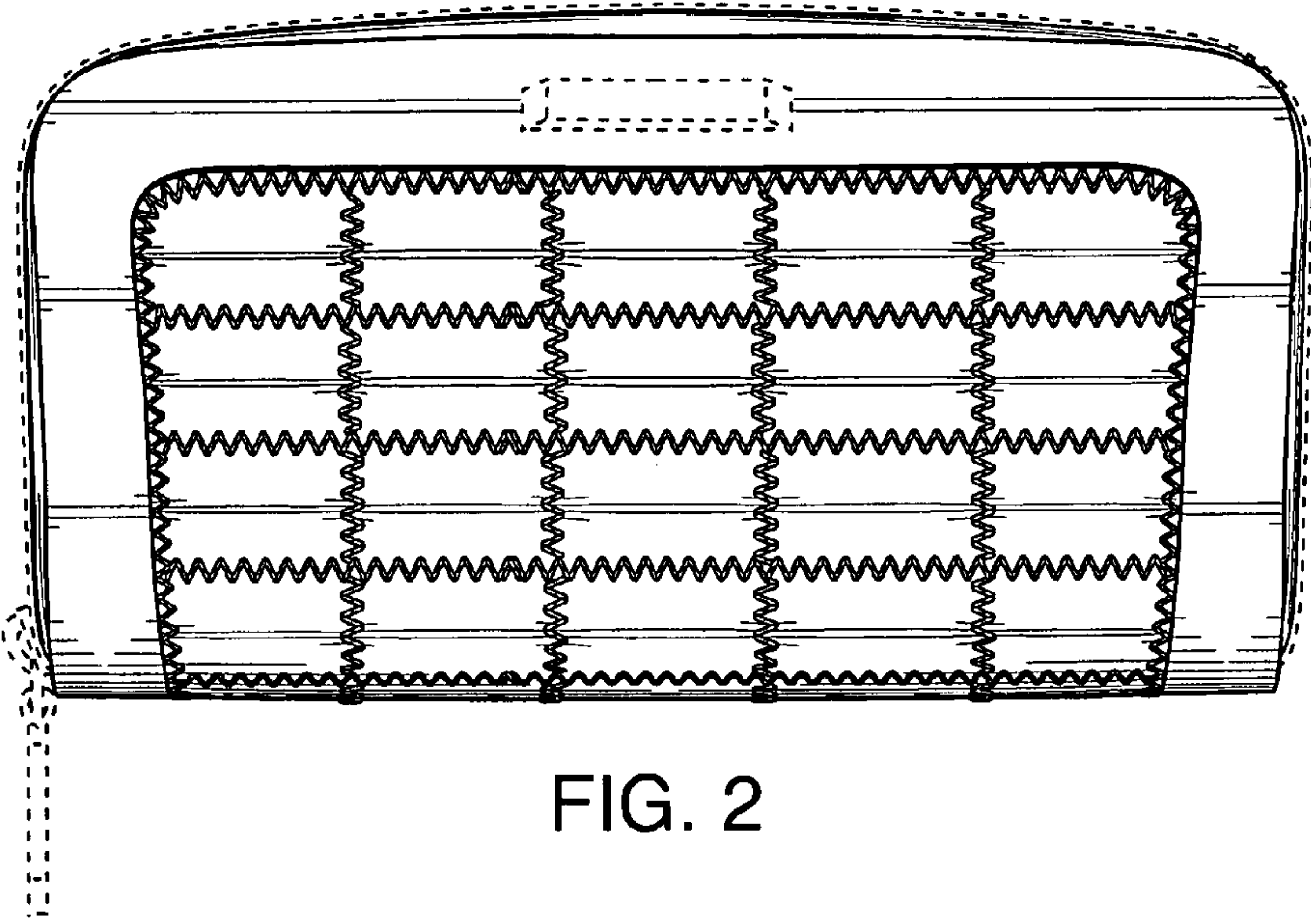


FIG. 2

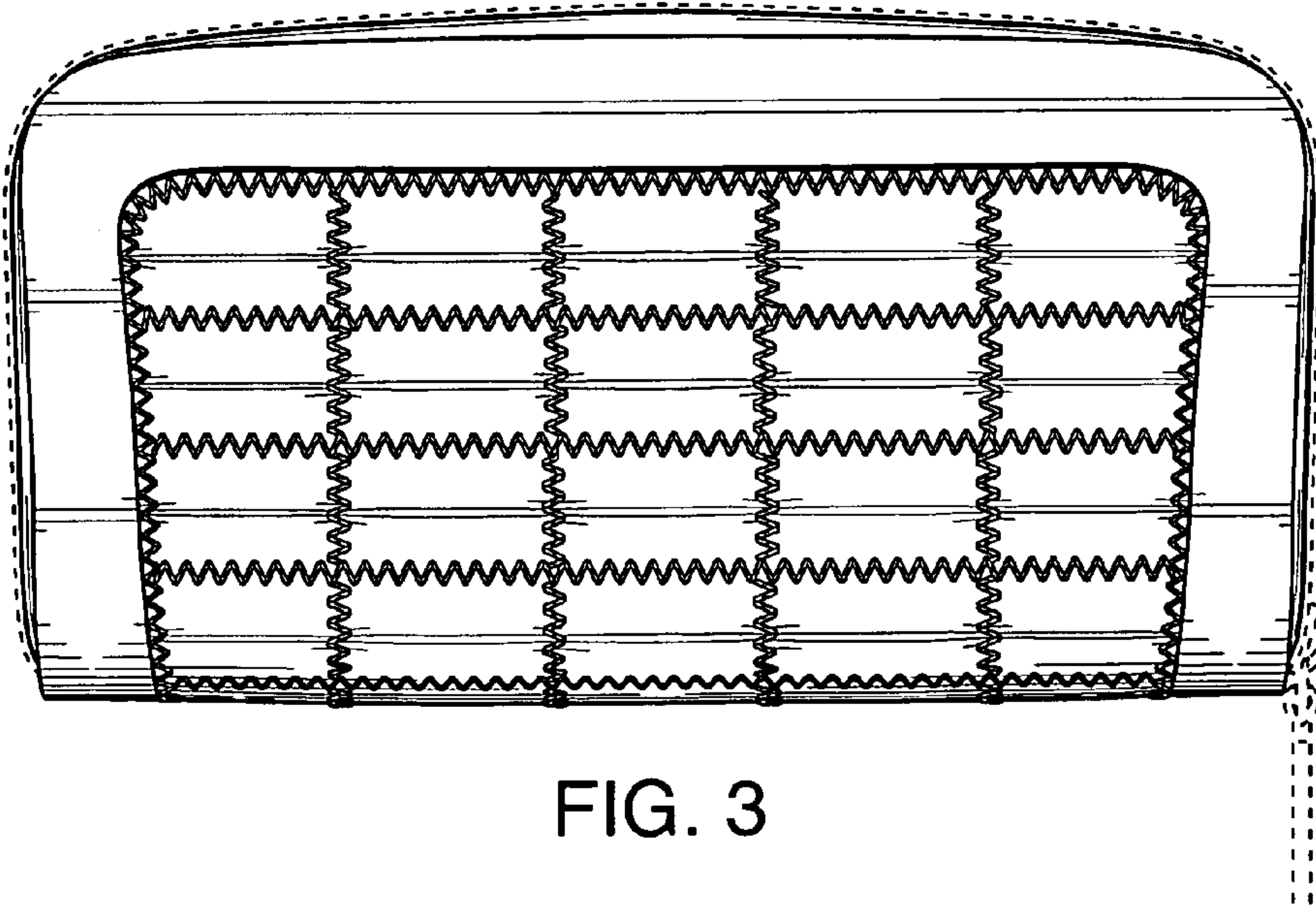


FIG. 3

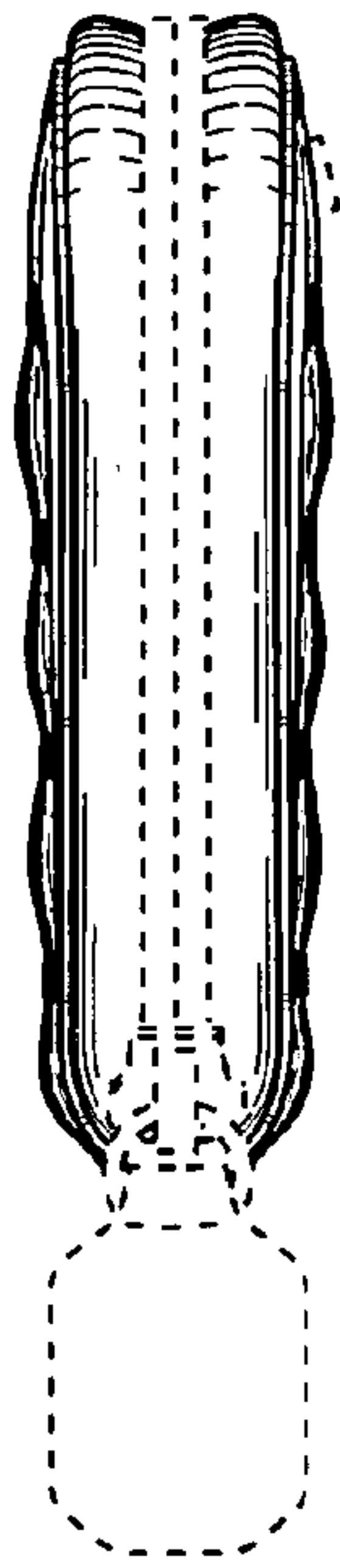


FIG. 4

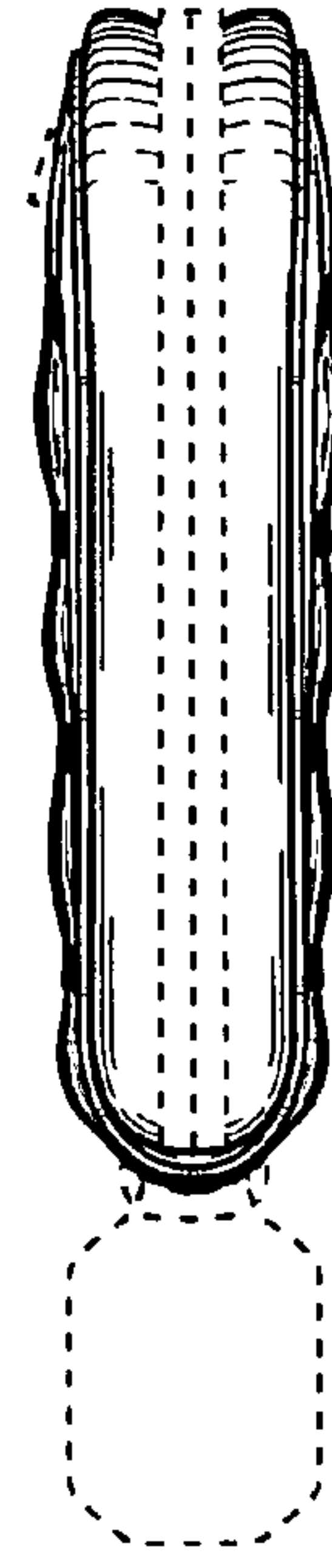


FIG. 5

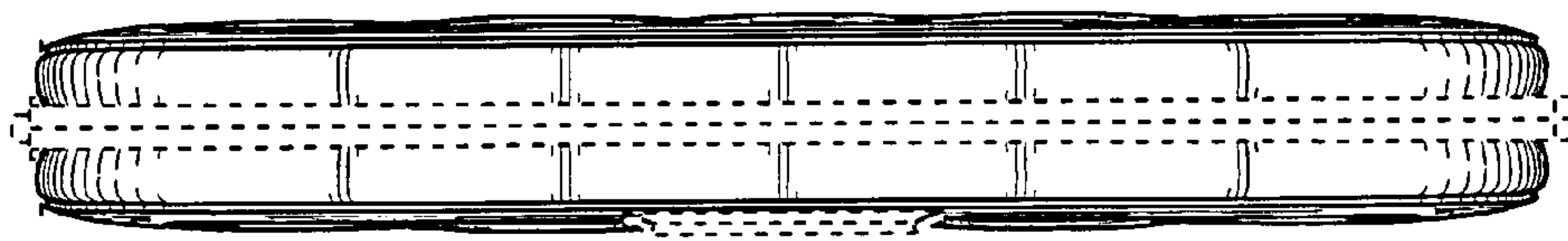


FIG. 6

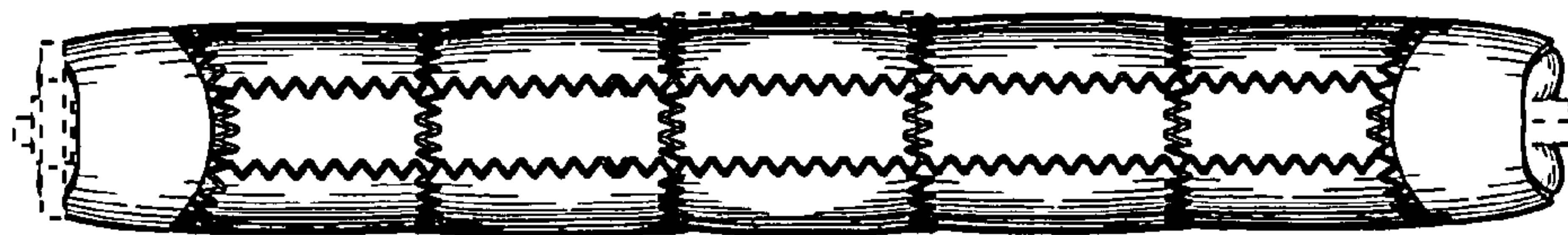


FIG. 7