



US00D676631S

(12) **United States Design Patent**
Shaw

(10) **Patent No.:** **US D676,631 S**

(45) **Date of Patent:** **** Feb. 26, 2013**

(54) **MILITARY PATROL CAP FORM INSERT SET**

(76) Inventor: **James A. Shaw**, San Diego, CA (US)

(**) Term: **14 Years**

(21) Appl. No.: **29/409,216**

(22) Filed: **Dec. 21, 2011**

(51) **LOC (9) Cl.** **02-03**

(52) **U.S. Cl.** **D2/892**

(58) **Field of Classification Search** D2/865,
D2/866, 869, 870, 872, 873, 875, 878, 879,
D2/882, 886, 891, 969; D5/1, 2, 3, 47; D29/117.1;
2/171, 171.1, 173, 175.3, 175.9, 195.5, 209.5,
2/209.11, 200.1

See application file for complete search history.

4,637,077 A 1/1987 Henschel
D308,909 S * 7/1990 Levine D2/893
D382,988 S * 9/1997 Palmer D2/876
5,987,649 A 11/1999 Robertson
D422,115 S * 3/2000 Key D28/18
D424,239 S * 5/2000 Key D28/18

* cited by examiner

Primary Examiner — Karen E Eldridge Powers

(74) *Attorney, Agent, or Firm* — Montgomery Patent & Design LLC; Robert C. Montgomery

(57) **CLAIM**

The ornamental design for a military patrol cap form insert set, as shown and described.

DESCRIPTION

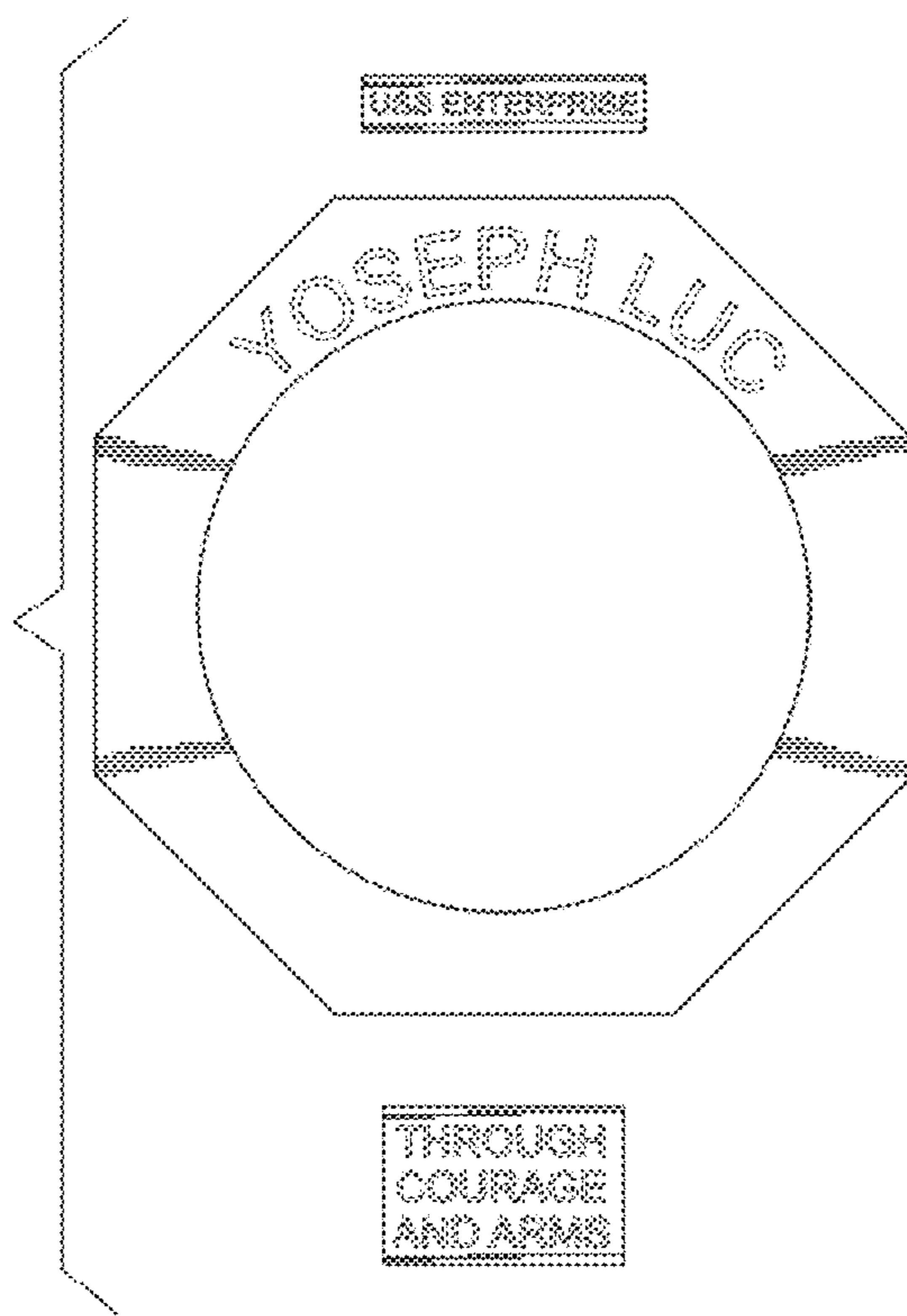
FIG. 1 is a perspective view of a military patrol cap form insert set, showing my new design;
FIG. 2 is a front view thereof with a rear view being a mirror image;
FIG. 3 is a left side view thereof with a right side view being a mirror image;
FIG. 4 is a top view thereof; and,
FIG. 5 is a bottom view thereof.
The broken line showing in FIGS. 1 and 4 is for the purpose of illustrating environment and forms no part of the claimed design.

1 Claim, 4 Drawing Sheets

(56) **References Cited**

U.S. PATENT DOCUMENTS

595,176	A	12/1897	Jones	
1,262,852	A	4/1918	Schleinkofer	
1,422,366	A *	7/1922	Leger	2/195.5
1,789,188	A	1/1931	McGuigan	
1,877,452	A *	9/1932	Gagne	2/195.5
2,426,339	A	8/1947	Boemanns	
2,491,309	A	12/1949	Hanson	
2,579,196	A *	12/1951	Lev	2/209.5
2,794,189	A	6/1957	Nesbit et al.	
2,822,549	A *	2/1958	Glass et al.	2/195.5
2,915,231	A *	12/1959	Henschel	223/84
4,247,958	A *	2/1981	Gallin	2/171.1



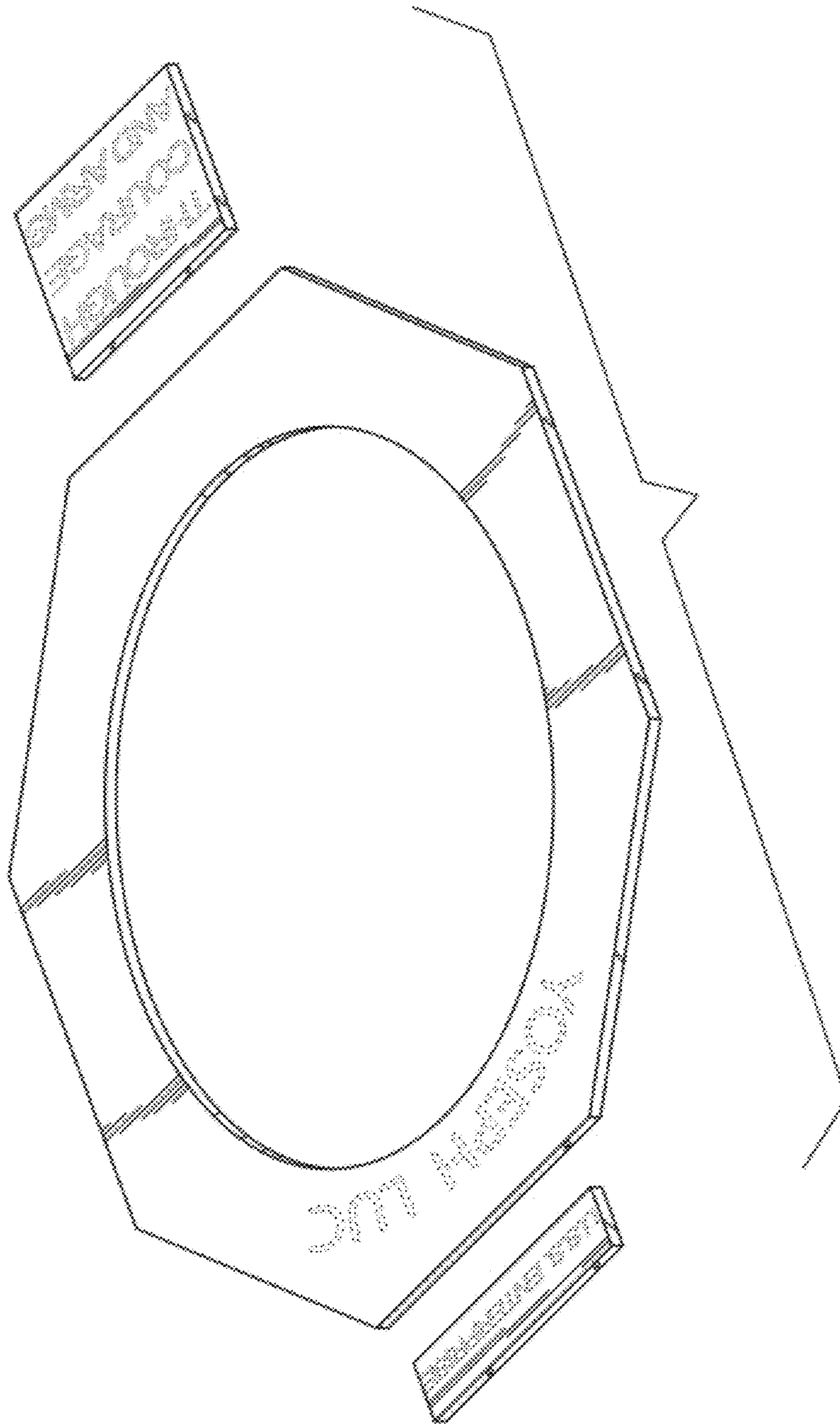


Fig. 1

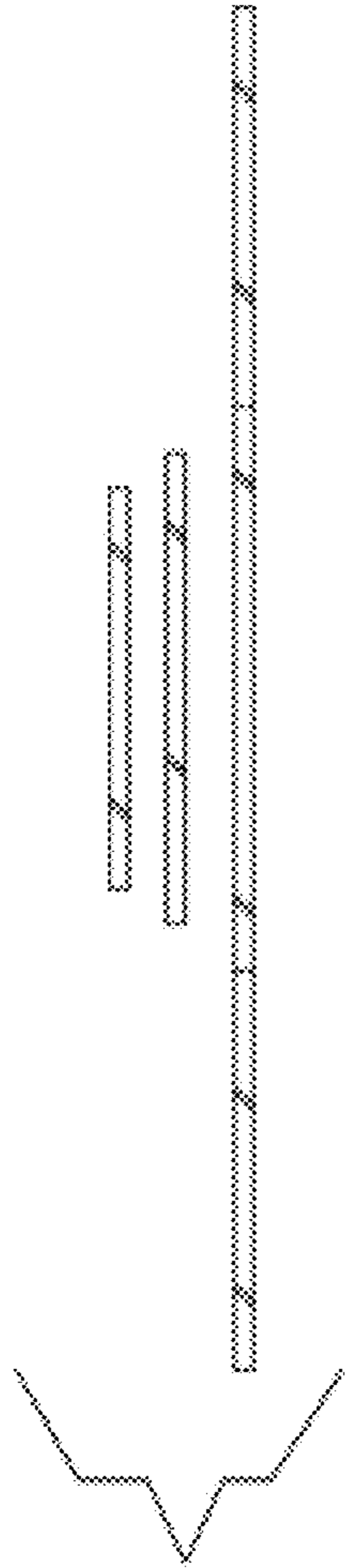


Fig. 2

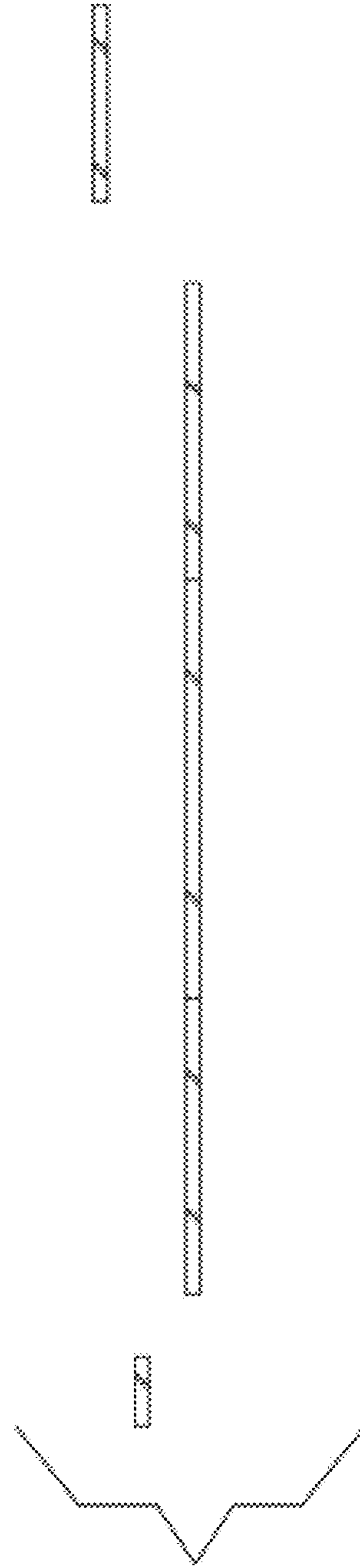


Fig. 3

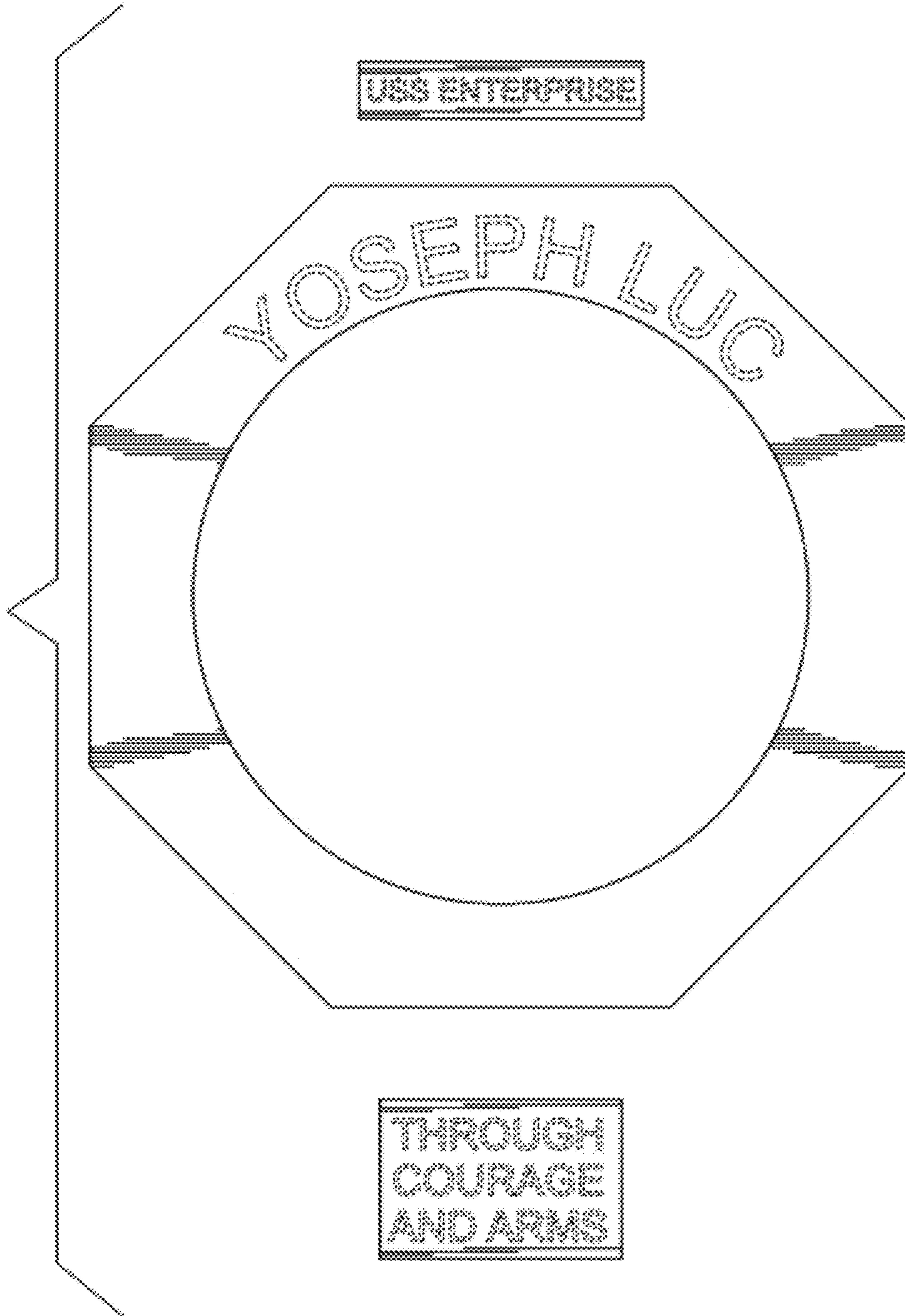


Fig. 4

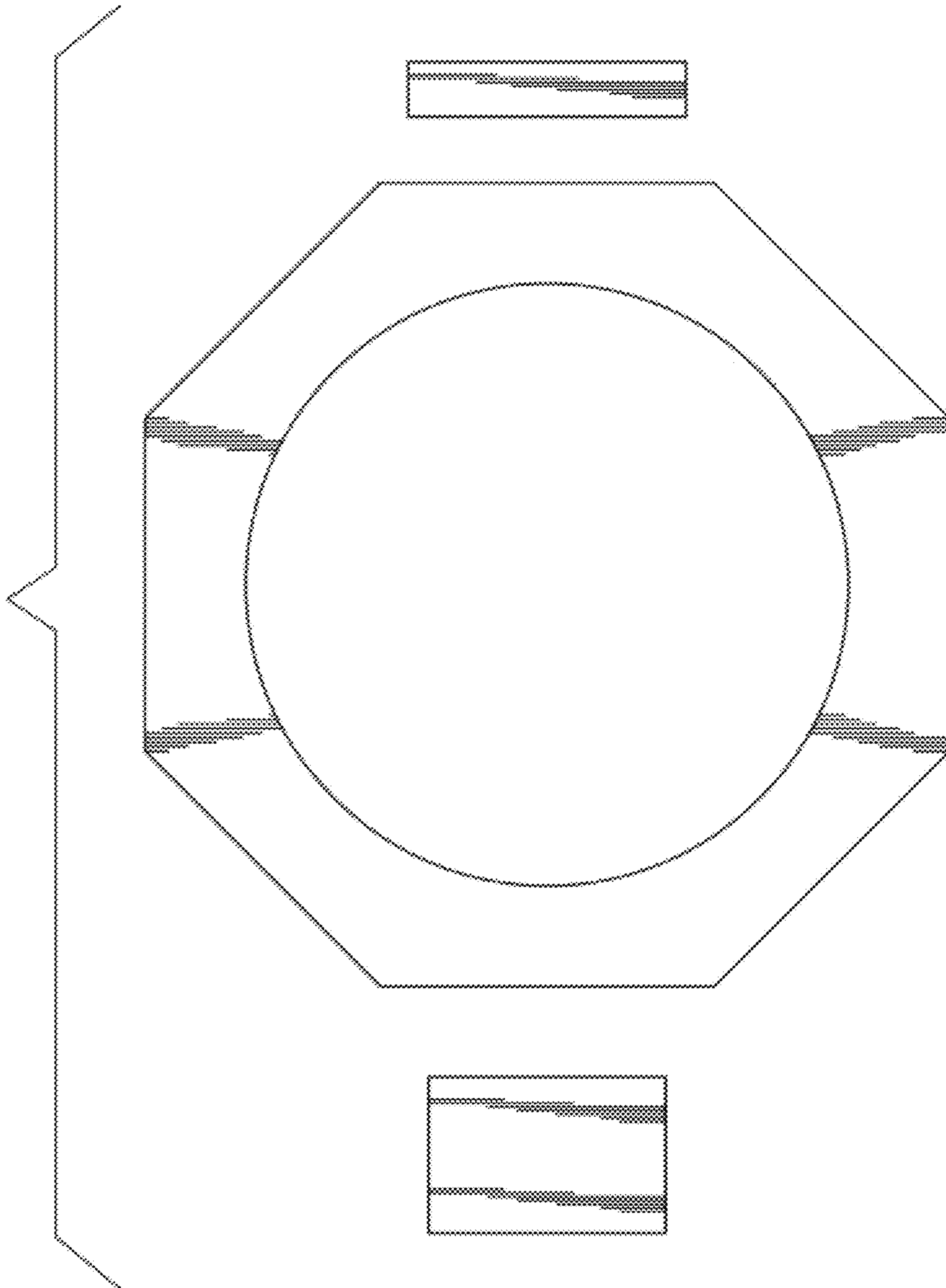


Fig. 5