



US00D676629S

(12) **United States Design Patent**
Peterka et al.

(10) **Patent No.:** **US D676,629 S**

(45) **Date of Patent:** **** Feb. 26, 2013**

(54) **VEST WITH PACIFIER HOLDER**

(76) Inventors: **Ann J. Peterka**, FairLawn, NJ (US);
Steven Gershon, Hawthorne, NJ (US)

(**) Term: **14 Years**

(21) Appl. No.: **29/388,825**

(22) Filed: **Apr. 1, 2011**

(51) **LOC (9) Cl.** **02-02**

(52) **U.S. Cl.** **D2/861; D2/829**

(58) **Field of Classification Search** D2/860–864,
D2/829; 2/46, 48–49.2, 50–52, 102
See application file for complete search history.

(56) **References Cited**

U.S. PATENT DOCUMENTS

D241,186	S	*	8/1976	Brosk	D2/862
D242,503	S		11/1976	Derfield		
D250,737	S	*	1/1979	Brosk	D2/864
D260,446	S		9/1981	Bragg		
D290,421	S		6/1987	McNally et al.		
D310,905	S	*	10/1990	Marchione	D2/864
D318,122	S		7/1991	Roberts		
D324,758	S		3/1992	Esteves		
D352,595	S		11/1994	Cameron		
D403,489	S		1/1999	Cameron		
D416,375	S	*	11/1999	McMaster	D2/864
D416,663	S		11/1999	Thomas		
6,128,784	A	*	10/2000	Frank	2/102
6,216,269	B1	*	4/2001	Smith et al.	2/46
D444,934	S		7/2001	Ross		

D446,384	S		8/2001	Cruz		
RE38,393	E	*	1/2004	Bronson	2/102
6,698,903	B2	*	3/2004	Hall	359/516
D490,968	S		6/2004	Anderson		
D491,342	S		6/2004	Jordan		
D505,247	S	*	5/2005	Lennon	D2/862
7,048,160	B2	*	5/2006	Anderson	224/148.6
7,512,993	B1	*	4/2009	Gutierrez	2/49.1
D591,484	S	*	5/2009	Lindh	D2/864
D662,287	S	*	6/2012	Merritt	D2/861

* cited by examiner

Primary Examiner — Rashida Johnson

(74) *Attorney, Agent, or Firm* — QuickPatents; Kevin Prince

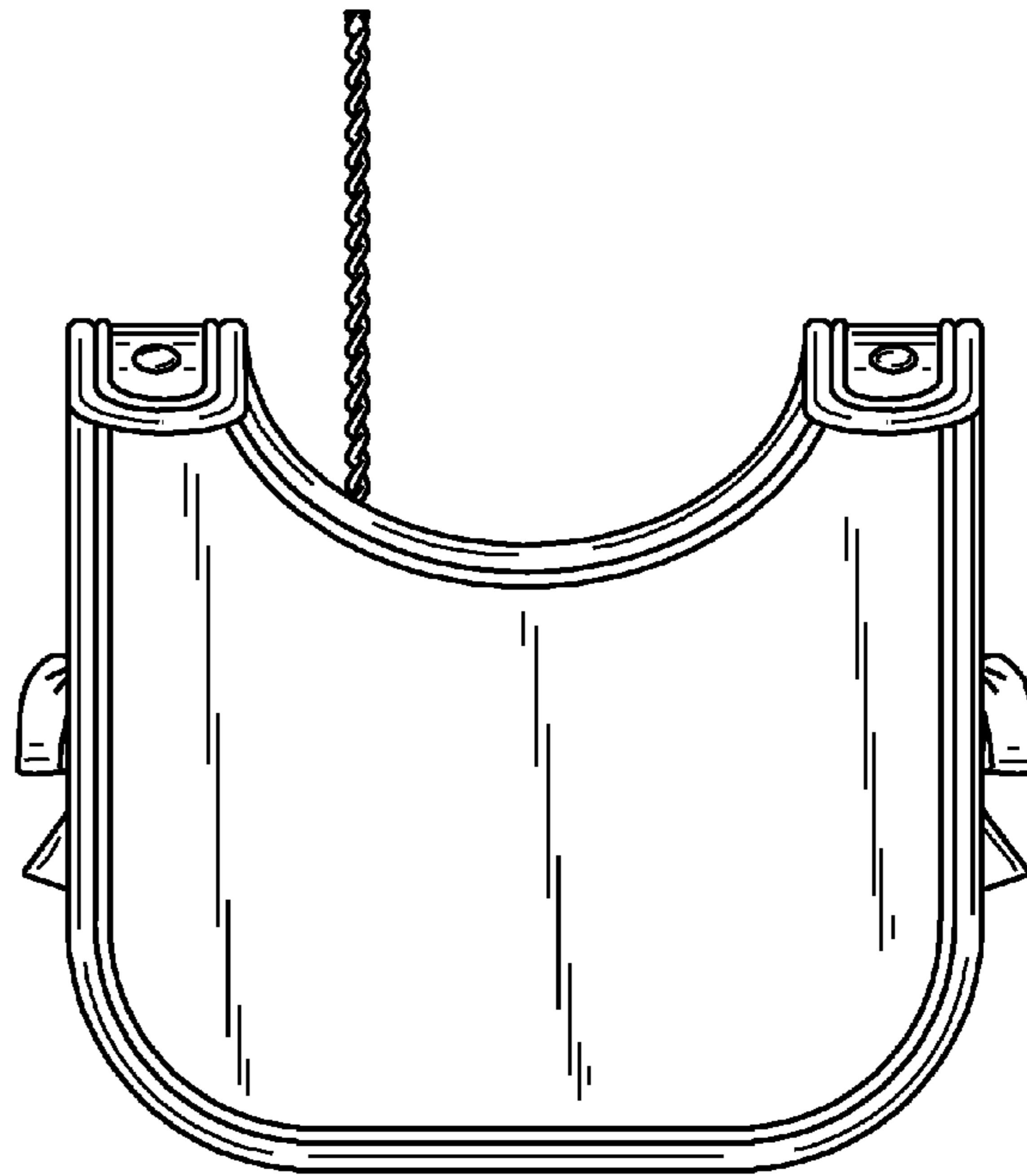
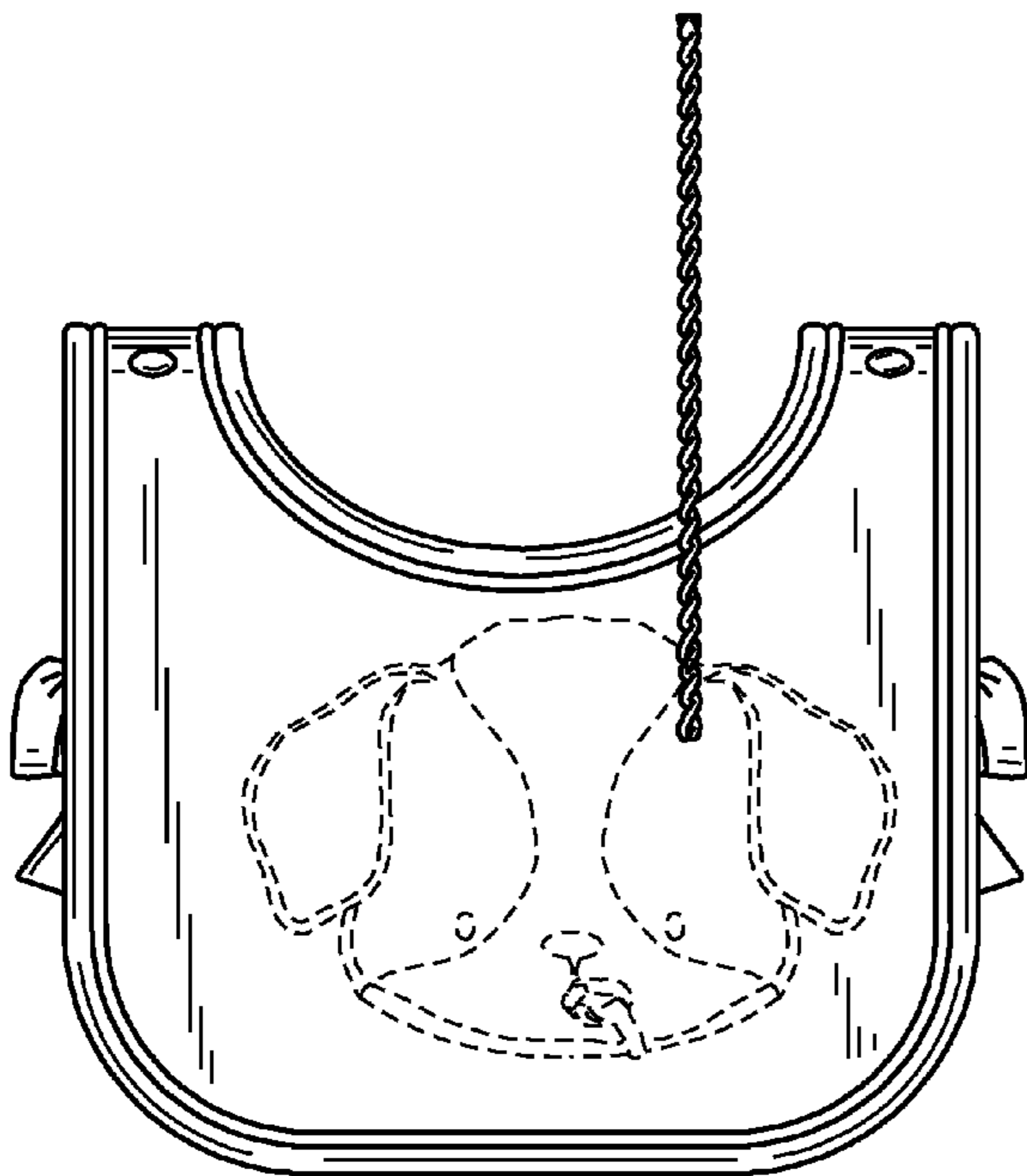
(57) **CLAIM**

We claim the ornamental design for a vest with pacifier holder, as shown and described.

DESCRIPTION

FIG. 1 is a perspective view of a vest with pacifier holder, showing the new designd ;
FIG. 2 is a front elevational view thereof;
FIG. 3 is a rear elevational view thereof;
FIG. 4 is a right-side elevational view thereof;
FIG. 5 is a left-side elevational view thereof;
FIG. 6 is a top plan view thereof; and,
FIG. 7 is a bottom plan view thereof.
The broken lines showing a baby with a pacifier in FIG. 1 and a plush form of a dog in the figures depict environmental matter, and form no part of the claimed design.

1 Claim, 3 Drawing Sheets



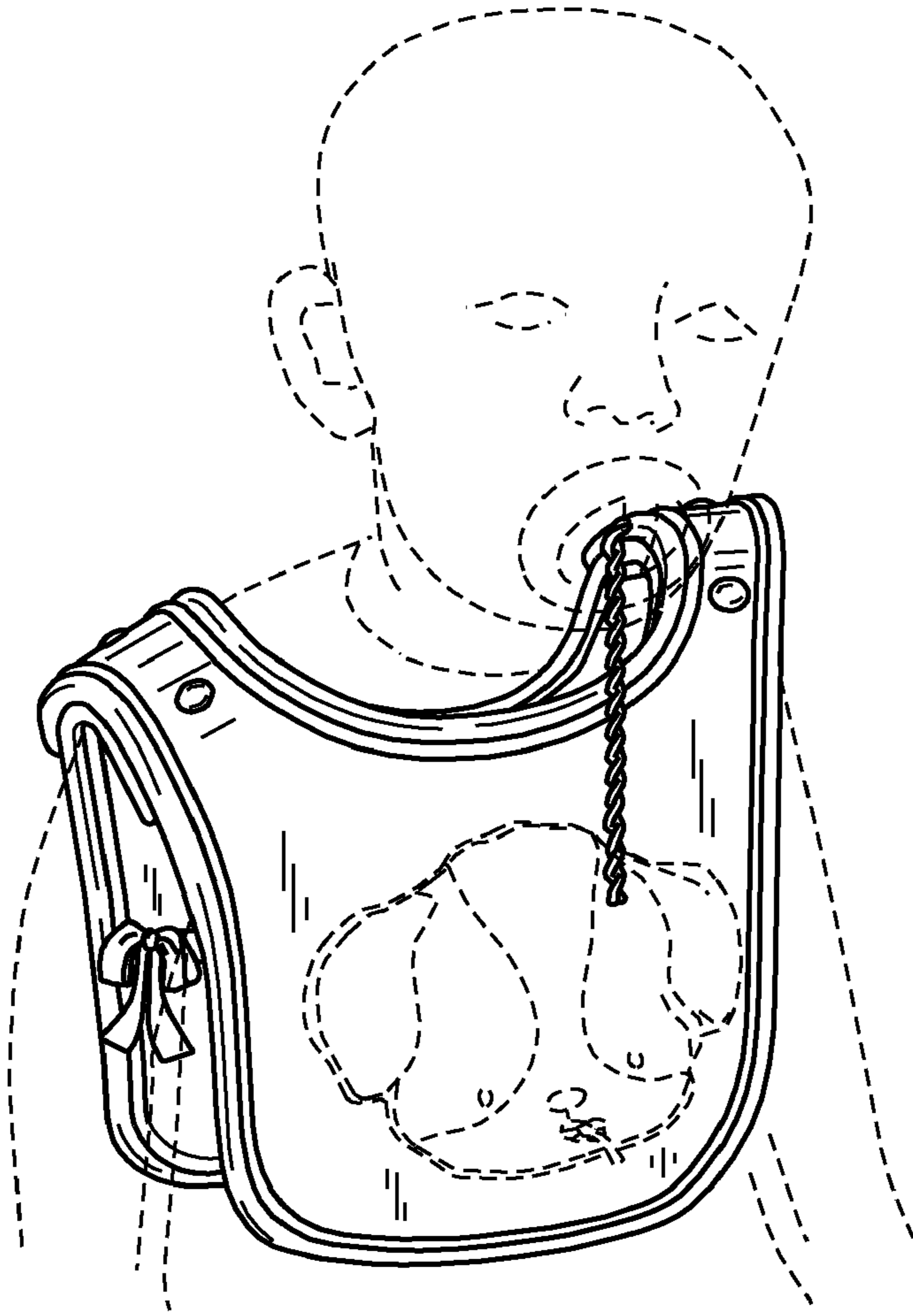


FIG. 1

FIG. 2

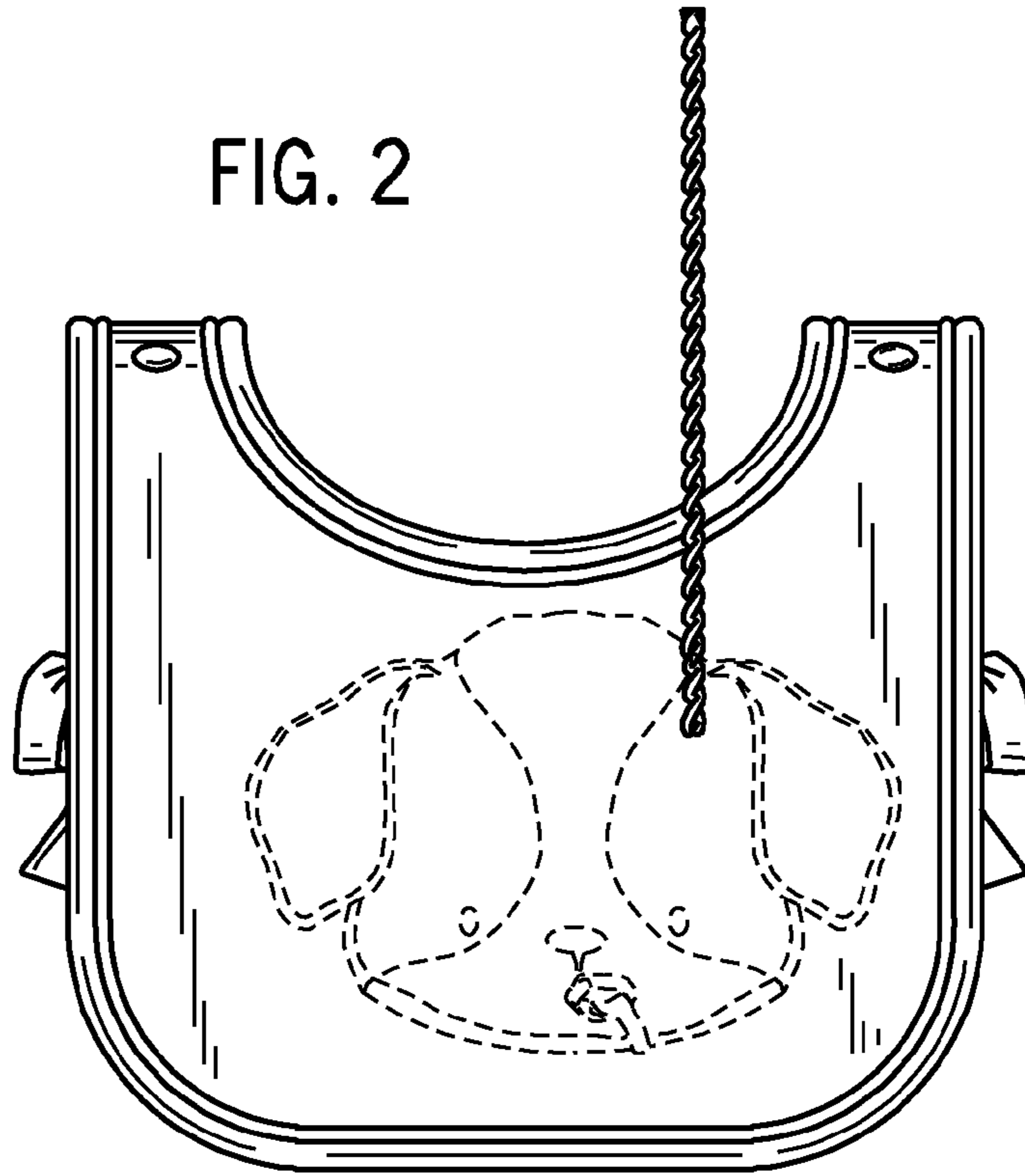


FIG. 3

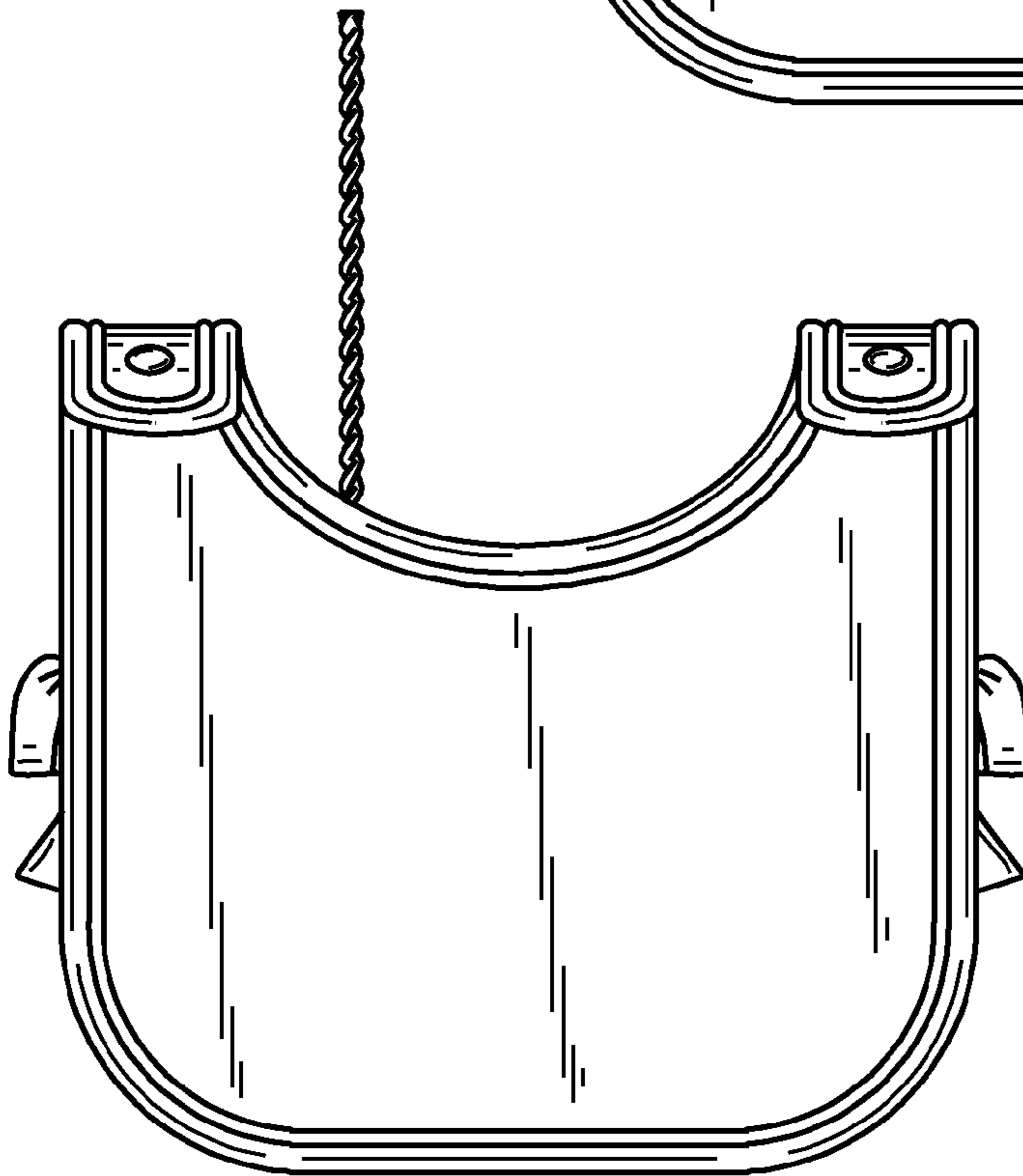


FIG. 4

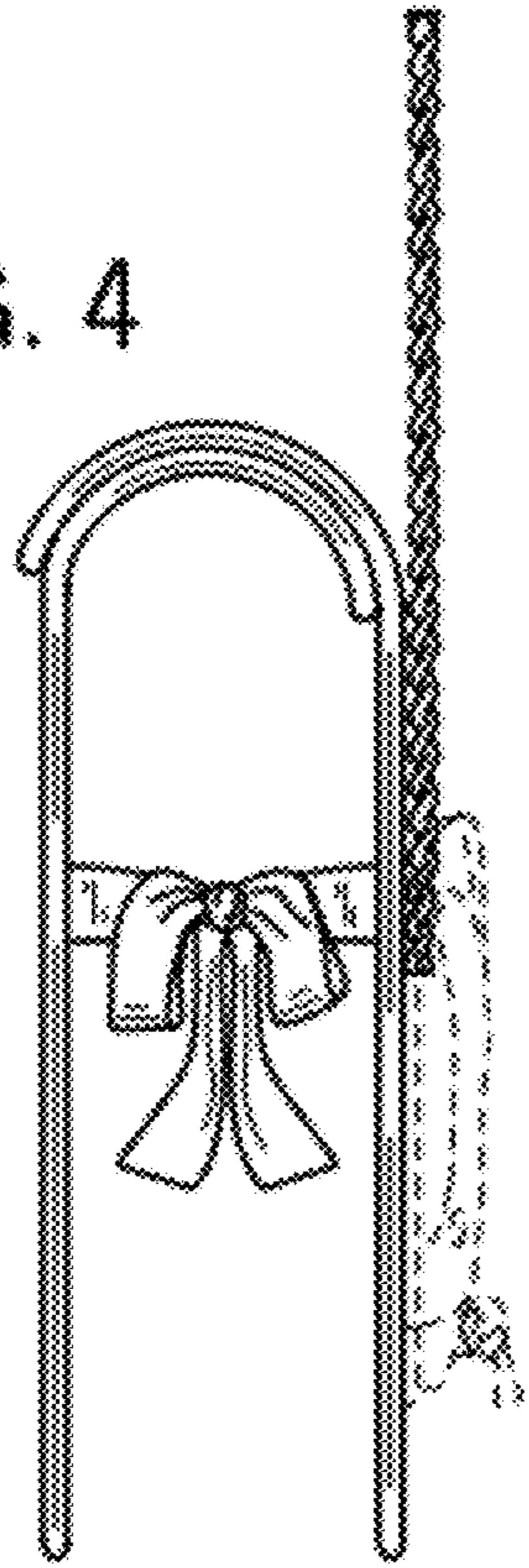


FIG. 5

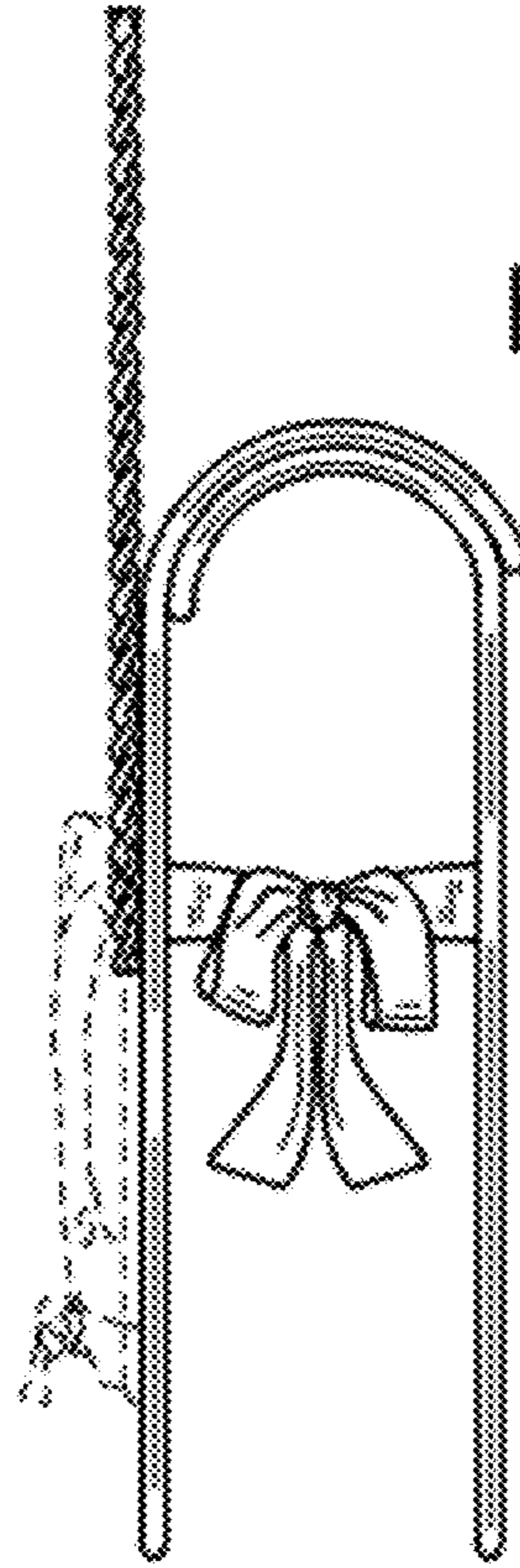


FIG. 6

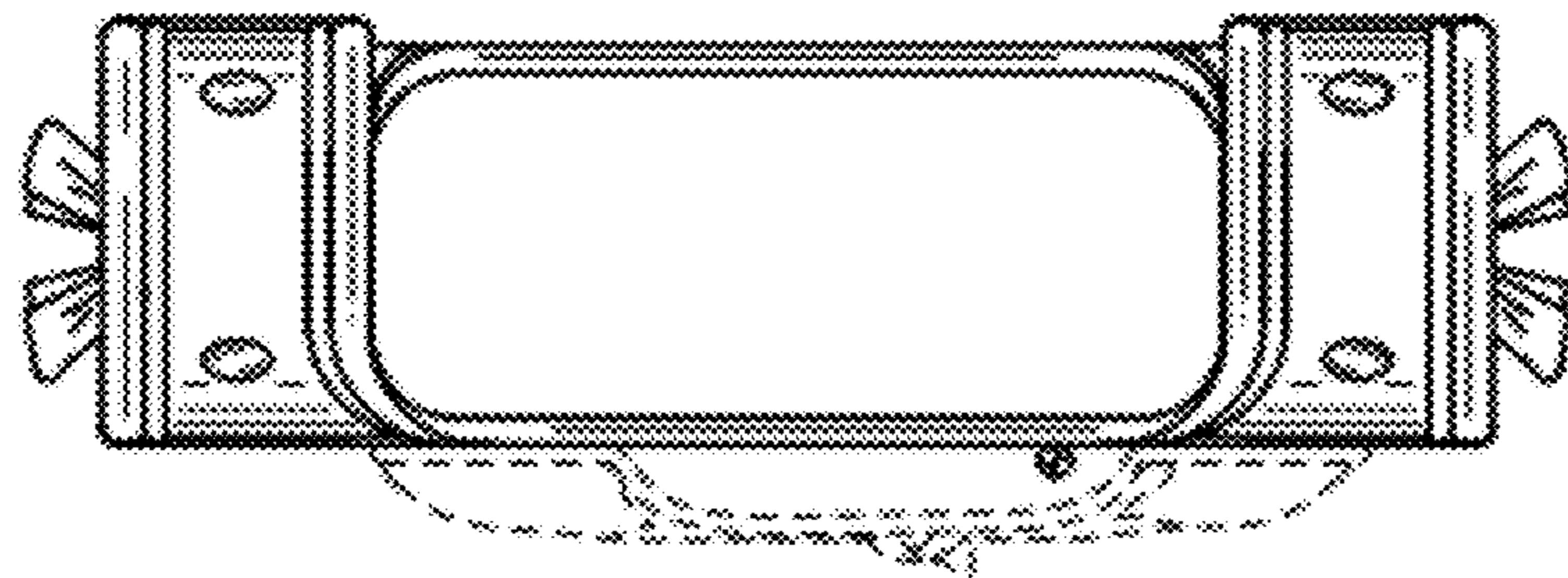


FIG. 7

