



US00D676627S

(12) **United States Design Patent**
Doss

(10) **Patent No.:** **US D676,627 S**
(45) **Date of Patent:** **** Feb. 26, 2013**

(54) **ELASTIC PANTS BELT**

(76) Inventor: **Mark J. Doss**, Kelso, WA (US)

(**) Term: **14 Years**

(21) Appl. No.: **29/418,676**

(22) Filed: **Apr. 19, 2012**

(51) **LOC (9) Cl.** **02-07**

(52) **U.S. Cl.** **D2/624**

(58) **Field of Classification Search** D2/624-230,
D2/639-640; 2/76, 175.7, 220-221, 236-237,
2/309, 311-312, 321-323, 338; D29/100,
D29/100.1; D11/200-201; 224/682; 431/328;
24/532

See application file for complete search history.

(56) **References Cited**

U.S. PATENT DOCUMENTS

757,701	A *	4/1904	Wheless	2/237
801,518	A *	10/1905	Fries	24/532
1,174,976	A	3/1916	Gaines		
1,331,457	A *	2/1920	Elliott	2/221
1,365,749	A *	1/1921	Torchia	2/76
1,410,806	A *	3/1922	Hardel	431/328
1,549,672	A *	8/1925	Lazier	2/323
1,823,296	A *	9/1931	Sekey	2/237
1,826,803	A *	10/1931	Lubell	2/237
2,837,748	A *	6/1958	Manning et al.	2/309
2,911,653	A *	11/1959	O'Donnell	2/321
3,001,204	A *	9/1961	Harrison	2/309
4,800,594	A *	1/1989	Young	2/237
4,920,581	A	5/1990	Gray		
5,566,397	A	10/1996	Scott		

D410,669	S *	6/1999	Hamre	D17/20
6,085,356	A	7/2000	Redmond, Sr.		
6,671,888	B2 *	1/2004	Wallace	2/237
D533,807	S	12/2006	English		
7,937,776	B1 *	5/2011	Anderson	2/338
2010/0162468	A1	7/2010	Hanson		

* cited by examiner

Primary Examiner — T. Chase Nelson
Assistant Examiner — Kathleen M Sims

(57) **CLAIM**

The ornamental design for an elastic pants belt, as shown and described.

DESCRIPTION

FIG. 1 is a perspective view of an elastic pants belt showing my new design;

FIG. 2 is a back view thereof;

FIG. 3 is a front view thereof;

FIG. 4 is a side view (opposite side view is mirror image) thereof;

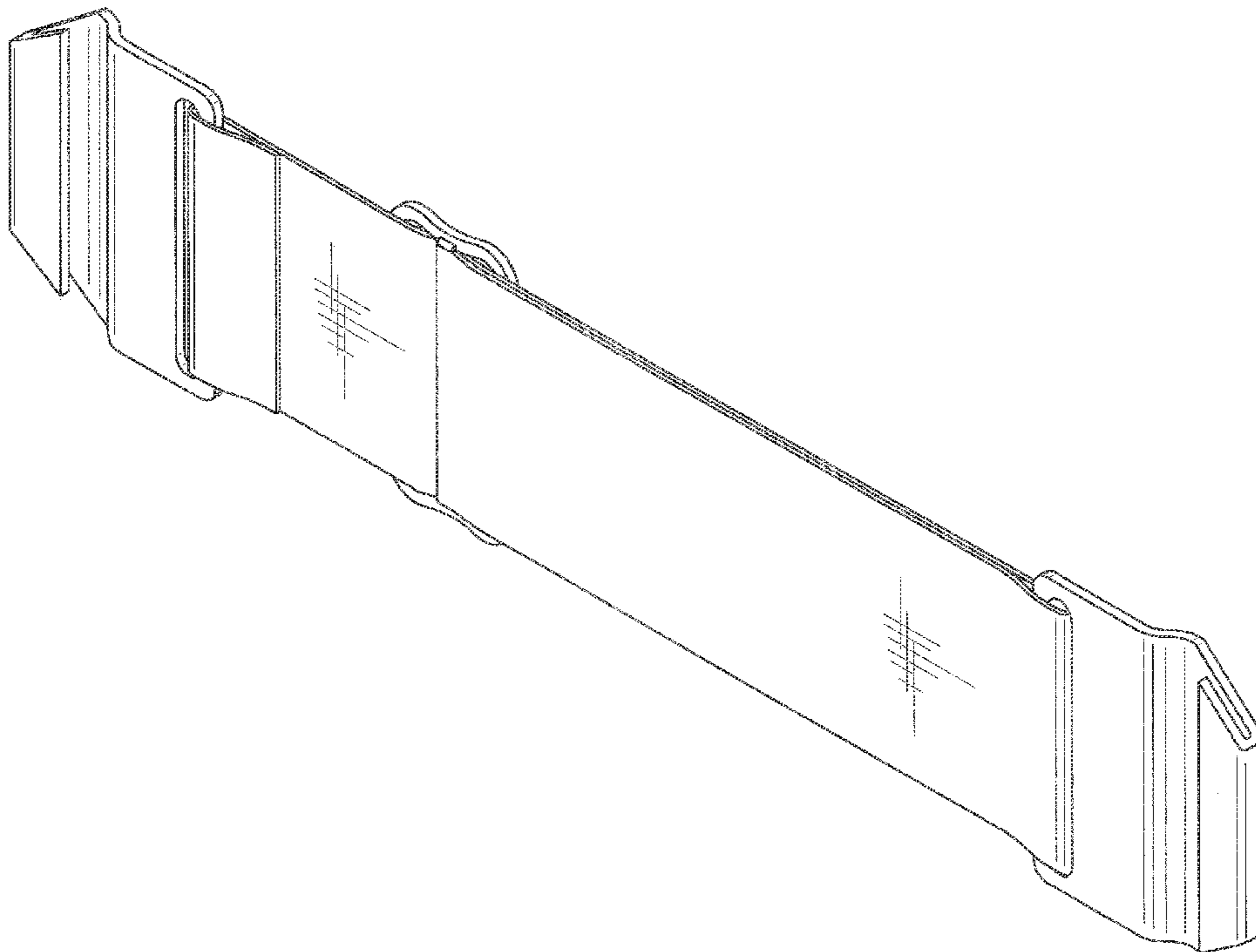
FIG. 5 is a top view (bottom view is mirror image) thereof; and,

FIG. 6 is a front perspective view of an in-use elastic pants belt.

In FIG. 6, the broken lines showing of environmental structure for purposes of illustrating the elastic pants belt in a condition of use.

The broken line showing of trousers and a torso in in FIG. 6 is included for the purpose of showing environmental structure associated with the elastic pants belt in condition of use, and forms no part of the claimed design.

1 Claim, 4 Drawing Sheets



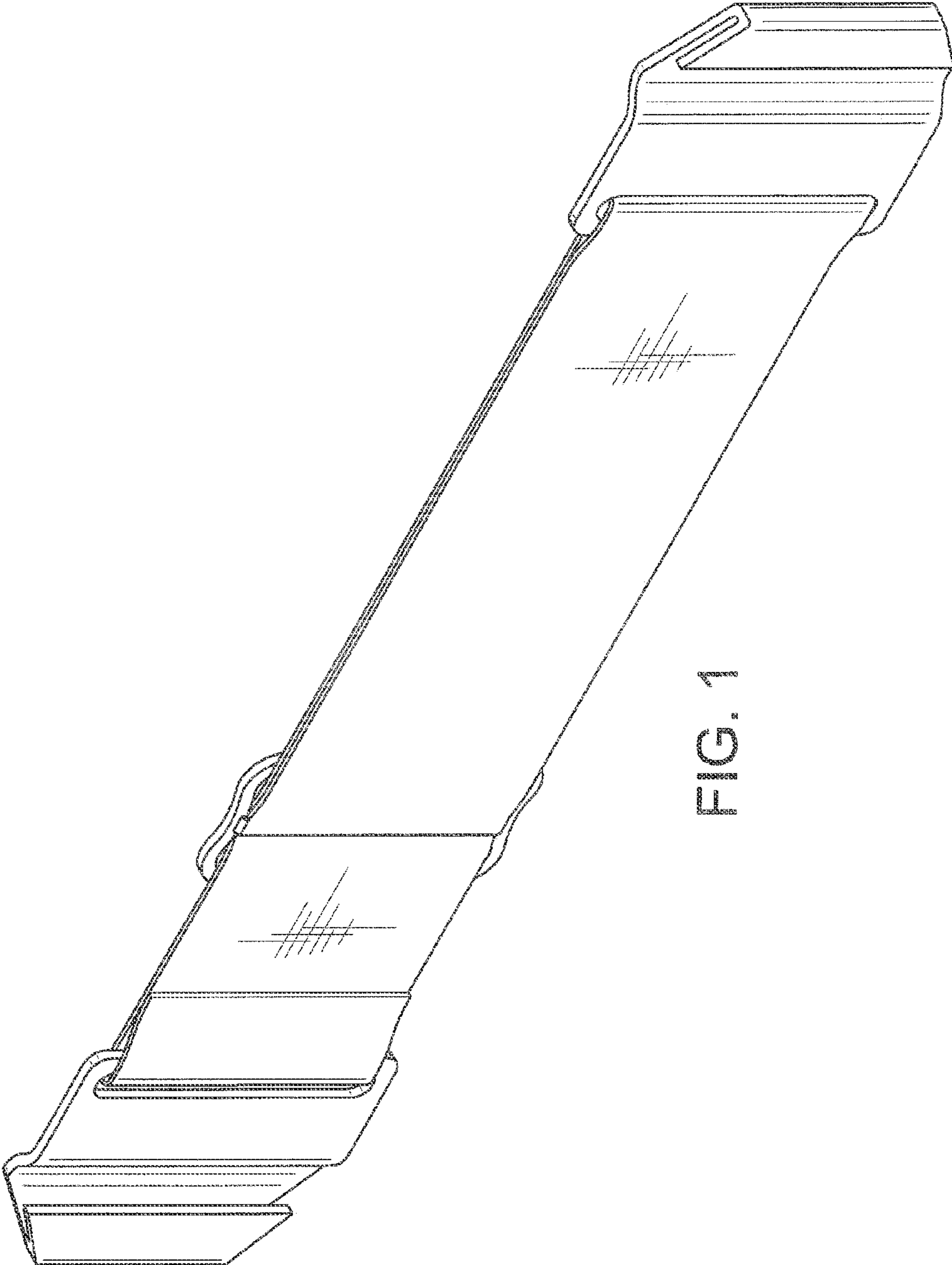


FIG. 1

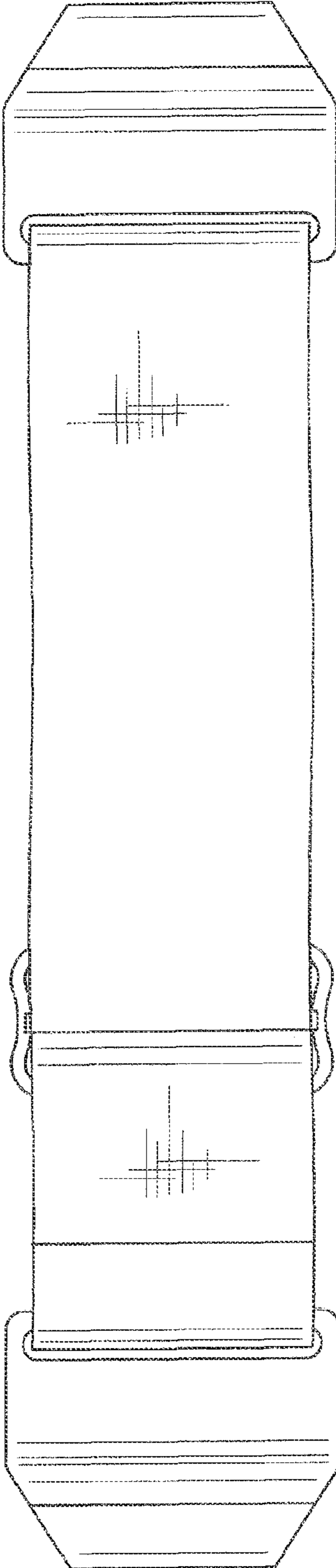


FIG. 2

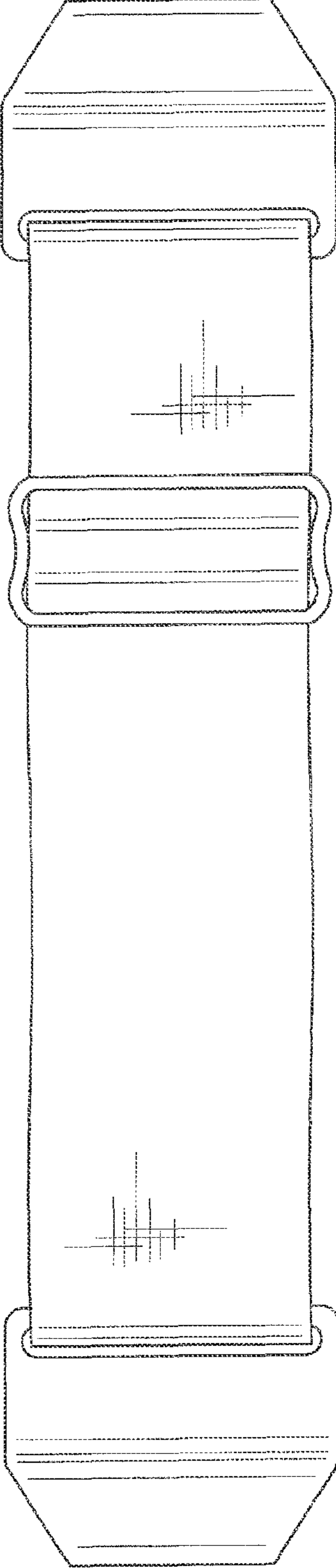


FIG. 3

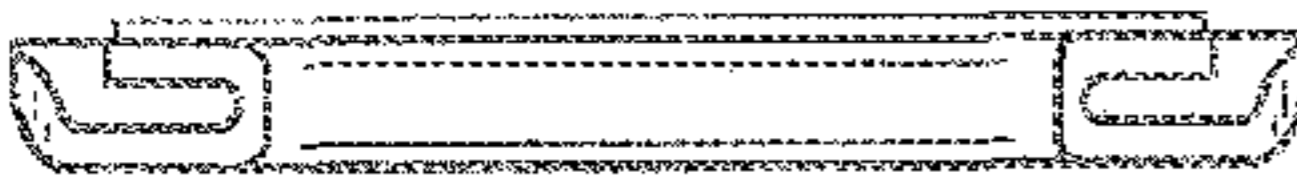


FIG. 4

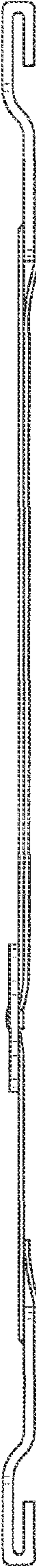


FIG. 5

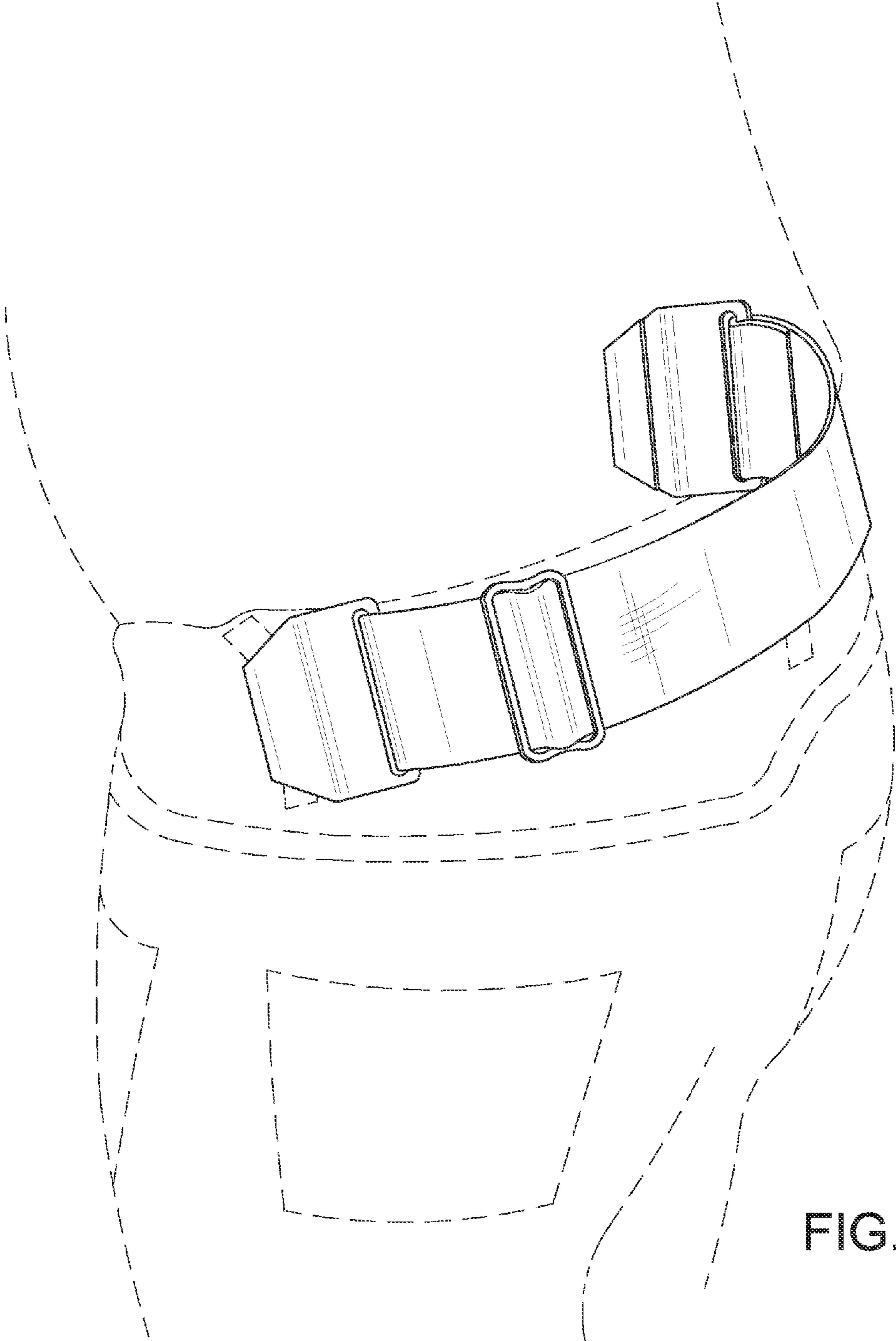


FIG. 6