



US00D676625S

(12) **United States Design Patent**
Tollenaere

(10) **Patent No.:** **US D676,625 S**

(45) **Date of Patent:** **** Feb. 19, 2013**

(54) **HELICOPTER SLING-LINE GRAPPLE HOOK**

6,443,514 B1 * 9/2002 Fuller et al. 294/215
D542,505 S * 5/2007 Alba D34/35
D635,445 S * 4/2011 Foresman D8/354

(76) Inventor: **Donald John Tollenaere**, Seneca, SC
(US)

* cited by examiner

(**) Term: **14 Years**

Primary Examiner — Cynthia Ramirez

(21) Appl. No.: **29/425,776**

(74) *Attorney, Agent, or Firm* — Raymond L. Greene

(22) Filed: **Jun. 27, 2012**

(57) **CLAIM**

(51) **LOC (9) Cl.** **12-05**

The ornamental design for a helicopter sling-line grapple hook, as shown.

(52) **U.S. Cl.** **D34/35**

(58) **Field of Classification Search** D34/35;
294/86.41, 86.4, 112, 119.4, 1.1, 89; 403/78,
403/164, 79, 19, 165

DESCRIPTION

See application file for complete search history.

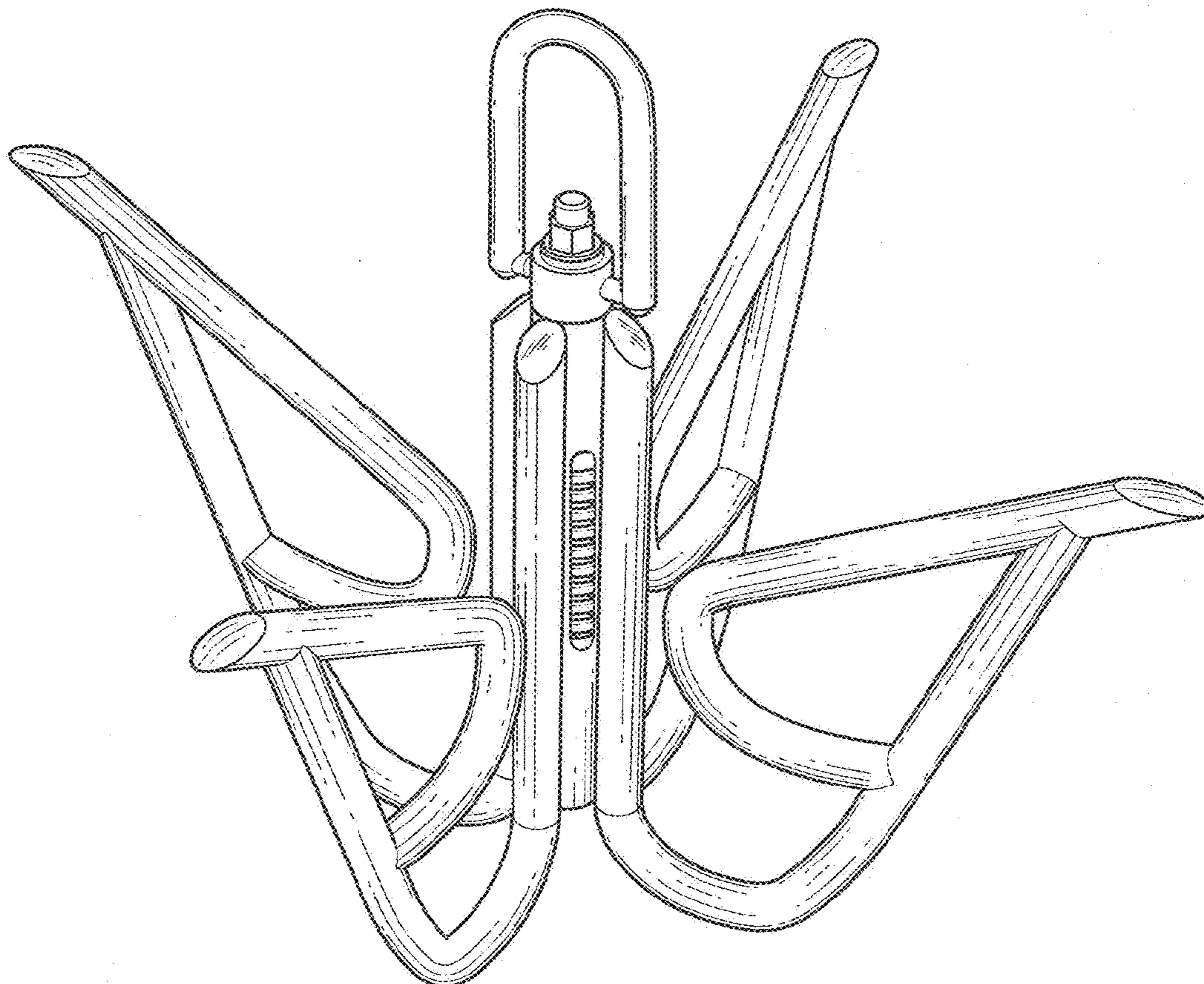
FIG. 1 is a perspective view of the helicopter sling-line grapple hook showing my new design;
FIG. 2 is a front view thereof;
FIG. 3 is a side perspective view thereof;
FIG. 4 is a top view thereof;
FIG. 5 is an exploded view thereof; and,
FIG. 6 is another perspective view thereof.
The bottom view of the helicopter sling-line grapple hook is not part of the claimed design.

(56) **References Cited**

U.S. PATENT DOCUMENTS

2,561,144	A *	7/1951	Seaton	403/78
4,572,562	A *	2/1986	Page	294/74
D344,836	S *	3/1994	Huffman	D34/35
D417,328	S *	11/1999	Kwon	D34/35
6,267,422	B1 *	7/2001	Alba	294/215

1 Claim, 6 Drawing Sheets



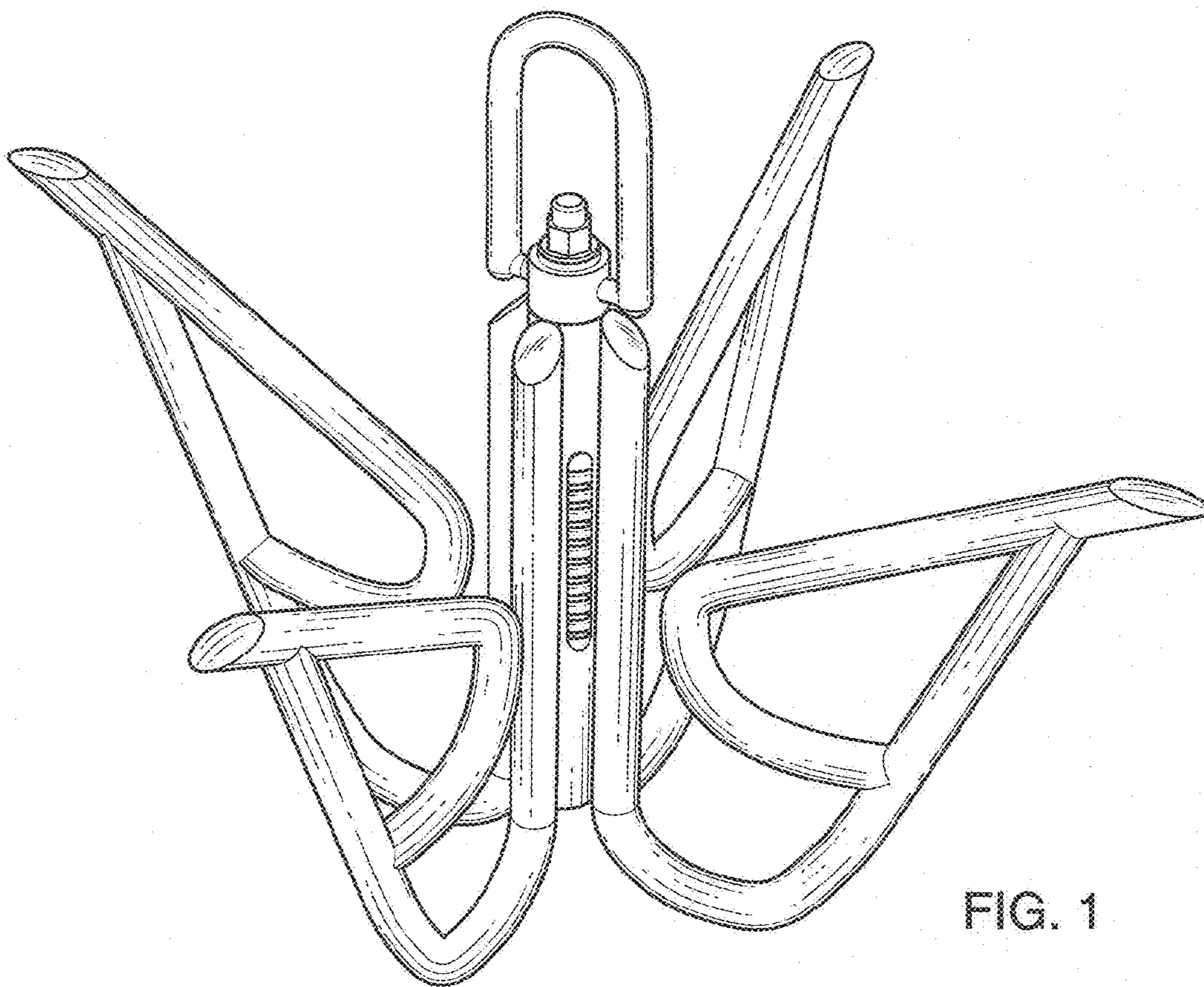


FIG. 1

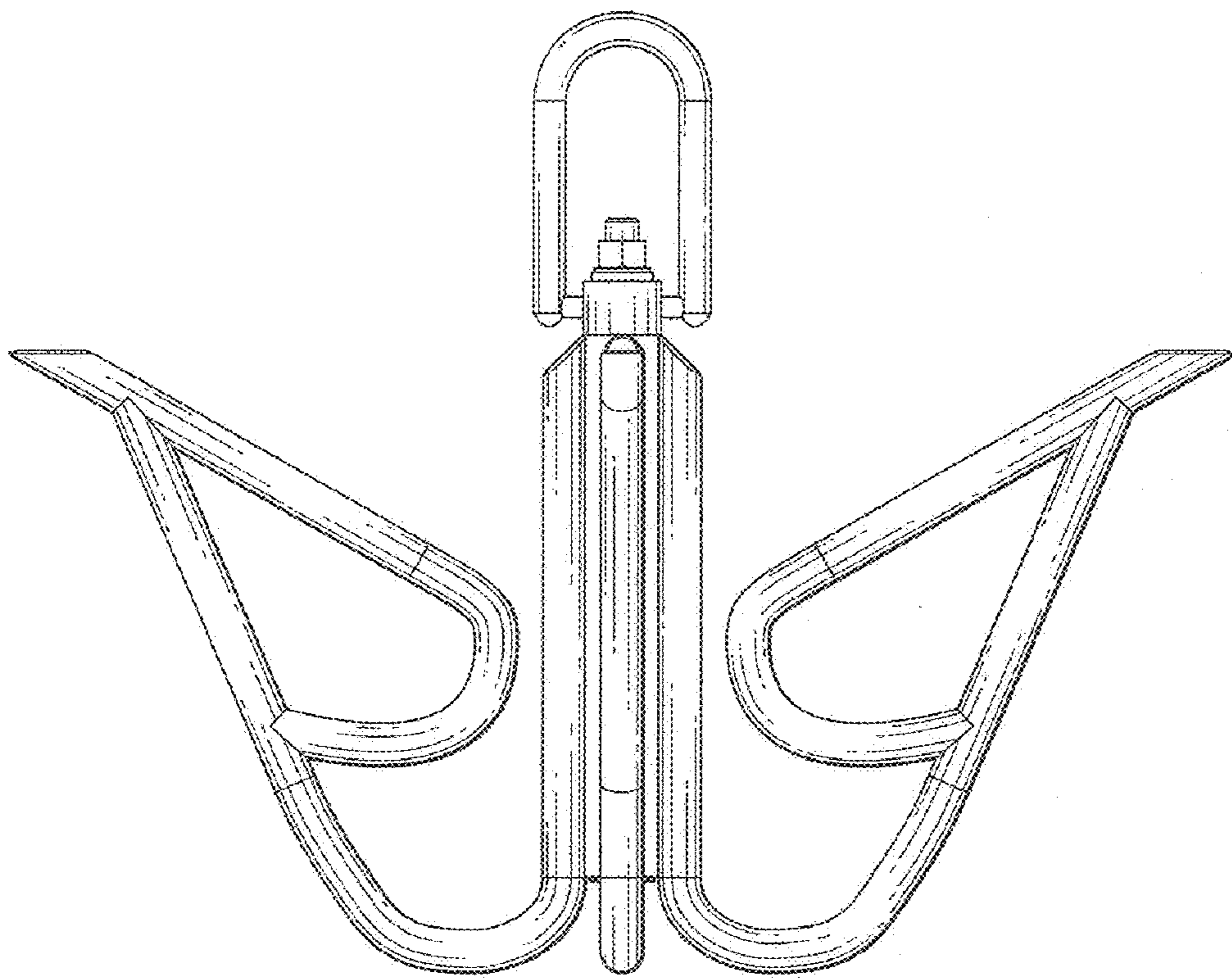


FIG. 2

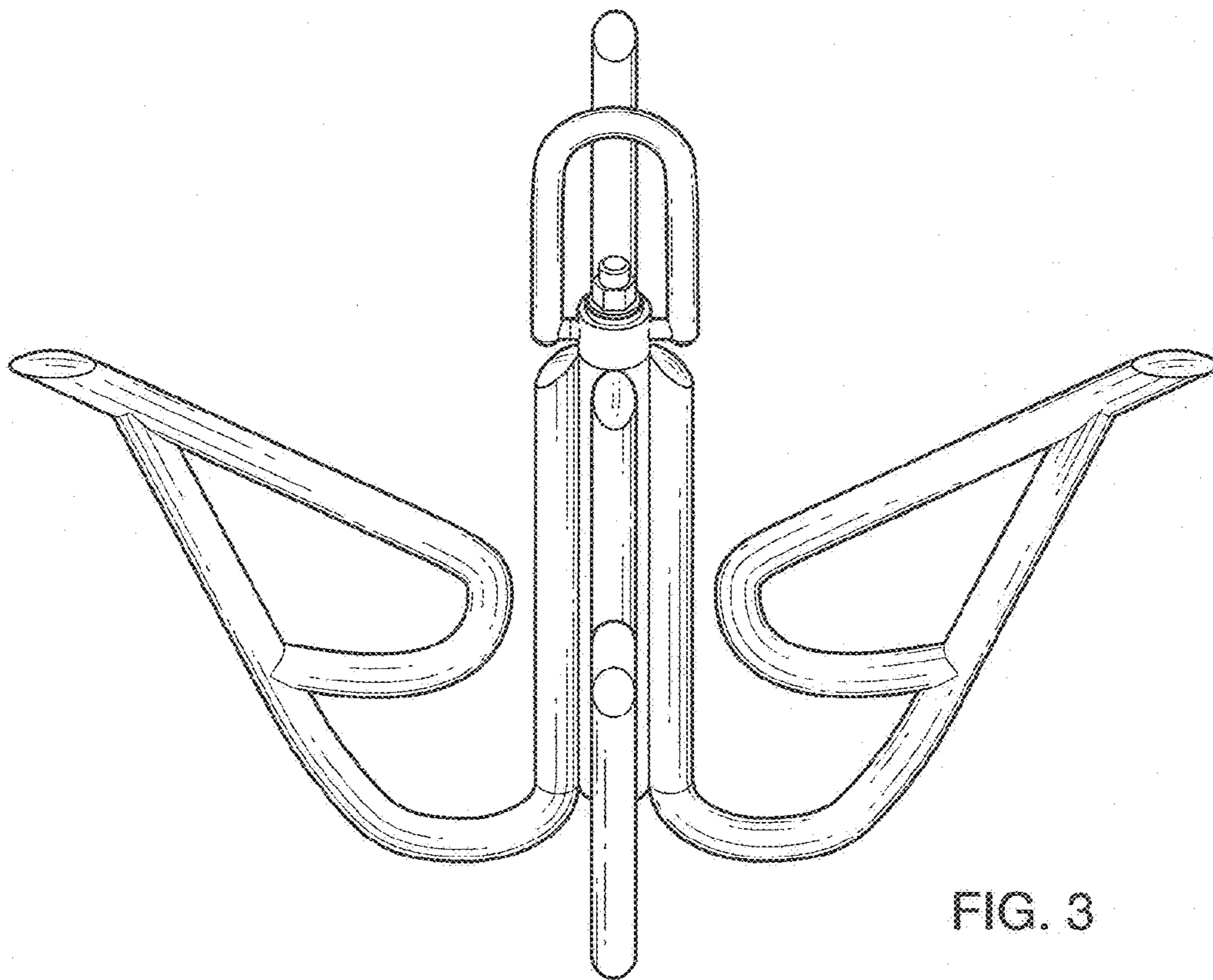


FIG. 3

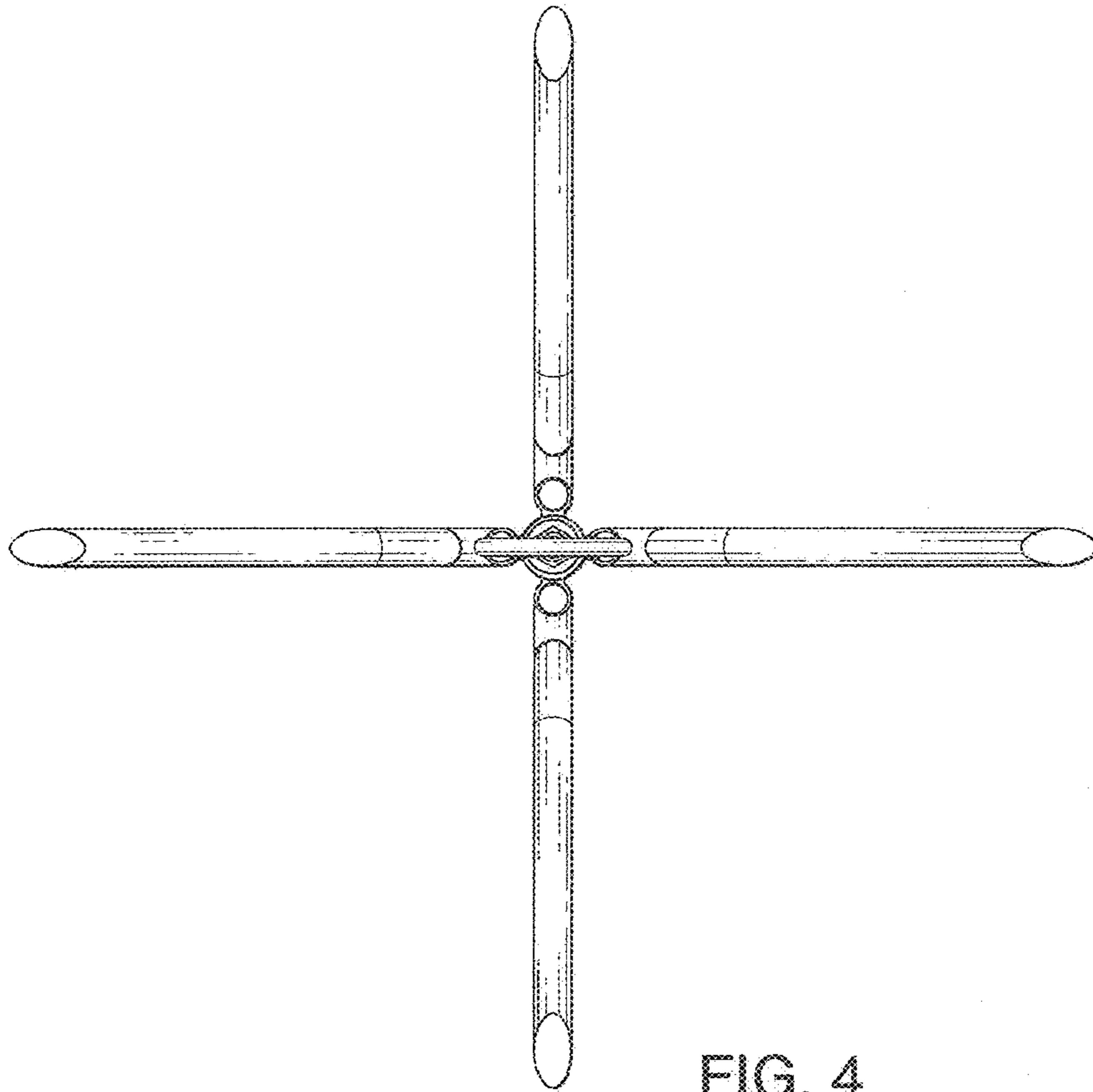
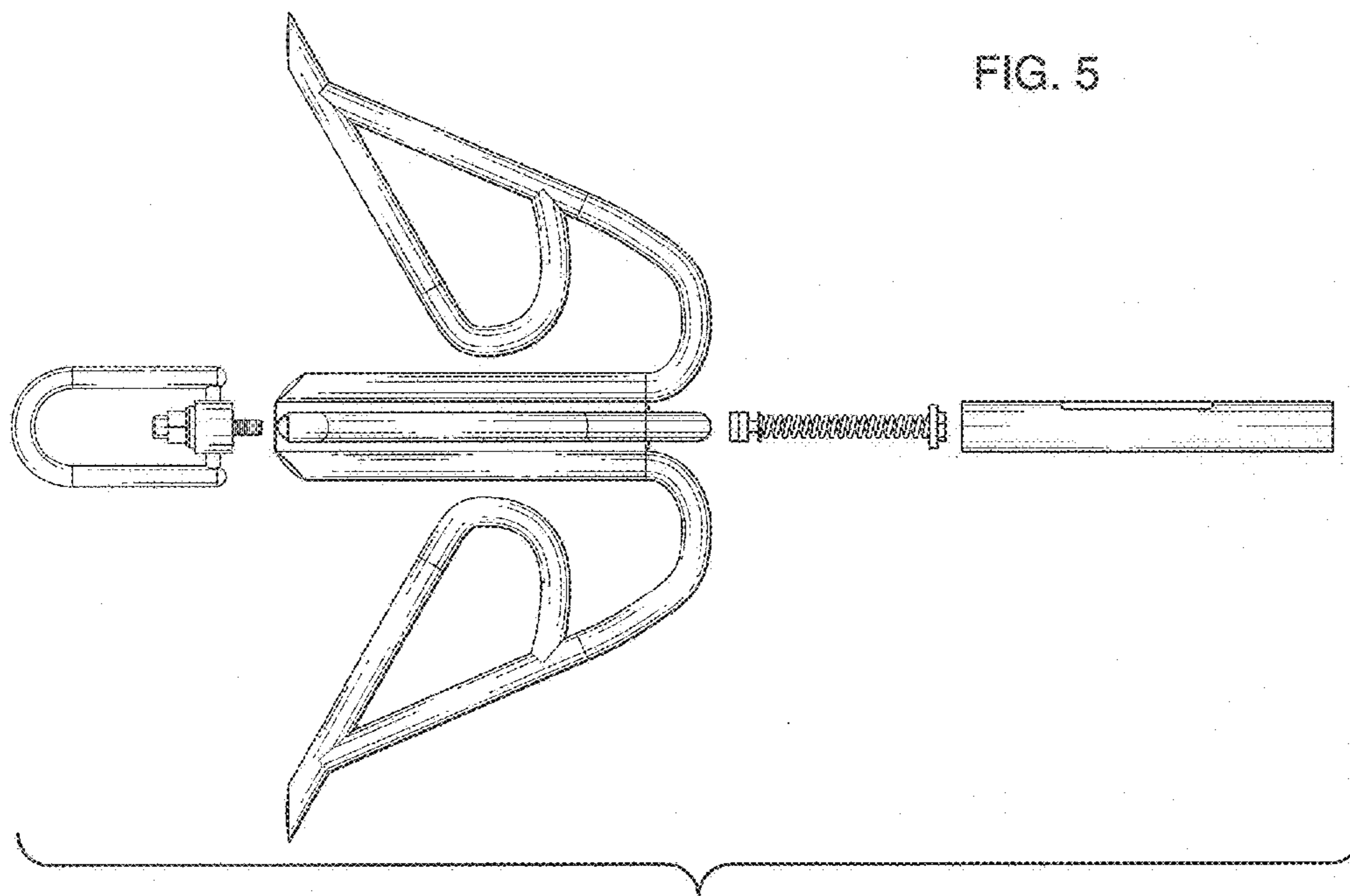


FIG. 4



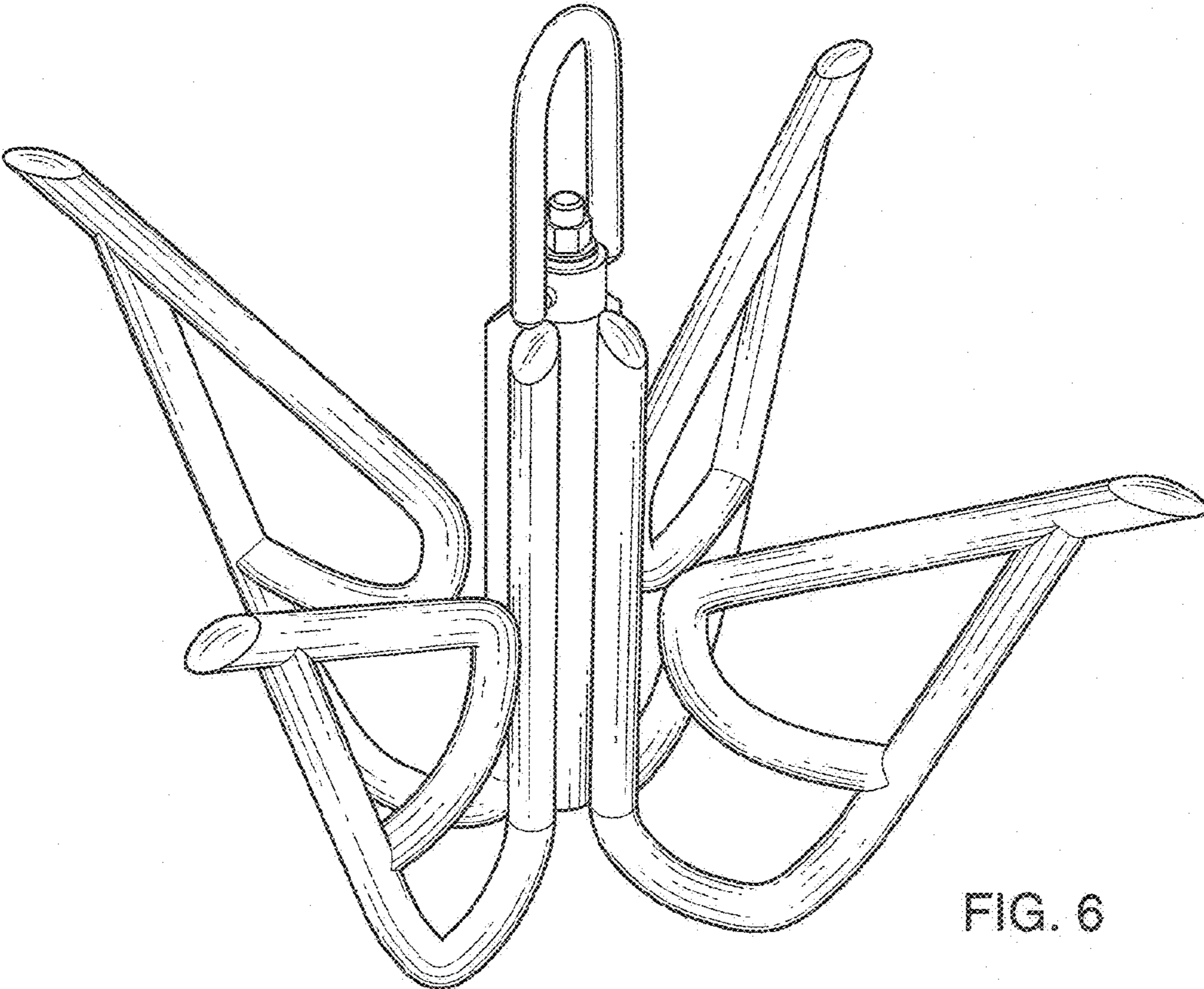


FIG. 6