



US00D676623S

(12) **United States Design Patent**
Huntley

(10) **Patent No.:** **US D676,623 S**

(45) **Date of Patent:** **** Feb. 19, 2013**

- (54) **WHEELED TRANSPORT DEVICE**
- (76) Inventor: **Alan Edward Huntley**, Gulf Breeze, FL (US)
- (**) Term: **14 Years**
- (21) Appl. No.: **29/427,775**
- (22) Filed: **Jul. 23, 2012**
- (51) **LOC (9) Cl.** **12-02**
- (52) **U.S. Cl.** **D34/24**
- (58) **Field of Classification Search** D34/12-27; 280/47.331, 240, 47.24, 47.18, 652, 414.1
See application file for complete search history.

7,243,928	B2	7/2007	Singer	
D550,921	S *	9/2007	McMorris	D34/23
7,296,816	B2	11/2007	Wilnau	
D575,921	S *	8/2008	Stone, Jr.	D34/23
7,775,530	B2	8/2010	Darling, III	
D624,725	S	9/2010	Turnell	
2006/0186635	A1	8/2006	Stewart	

FOREIGN PATENT DOCUMENTS

DE 19538080 4/1997

* cited by examiner

Primary Examiner — Cynthia Ramirez

(74) *Attorney, Agent, or Firm* — Mind Law Firm, P.C.; Justin G. Sanders; Jeromye V. Sartain

(56) **References Cited**

U.S. PATENT DOCUMENTS

2,540,279	A	2/1951	Mosier	
2,966,368	A	12/1960	Engnell	
D213,789	S *	4/1969	Ingebo	D21/785
D237,786	S *	11/1975	Gilster	D34/24
D265,392	S *	7/1982	Baney	D34/15
4,712,803	A	12/1987	Garcia	
D294,418	S *	2/1988	Salvesen et al.	D34/12
D310,746	S *	9/1990	Berfield et al.	D34/23
5,072,959	A	12/1991	Marullo	
5,203,580	A	4/1993	Cunningham	
5,348,327	A	9/1994	Gieske	
D362,326	S *	9/1995	Stout et al.	D34/23
5,791,279	A	8/1998	Hart	
D427,407	S	6/2000	Witt	
6,189,900	B1	2/2001	MacDonald	
6,364,336	B1	4/2002	Jenkins	
D476,129	S *	6/2003	Witt	D34/23
D490,955	S *	6/2004	Halsall	D34/24
6,926,292	B1	8/2005	Weeks	

(57) **CLAIM**

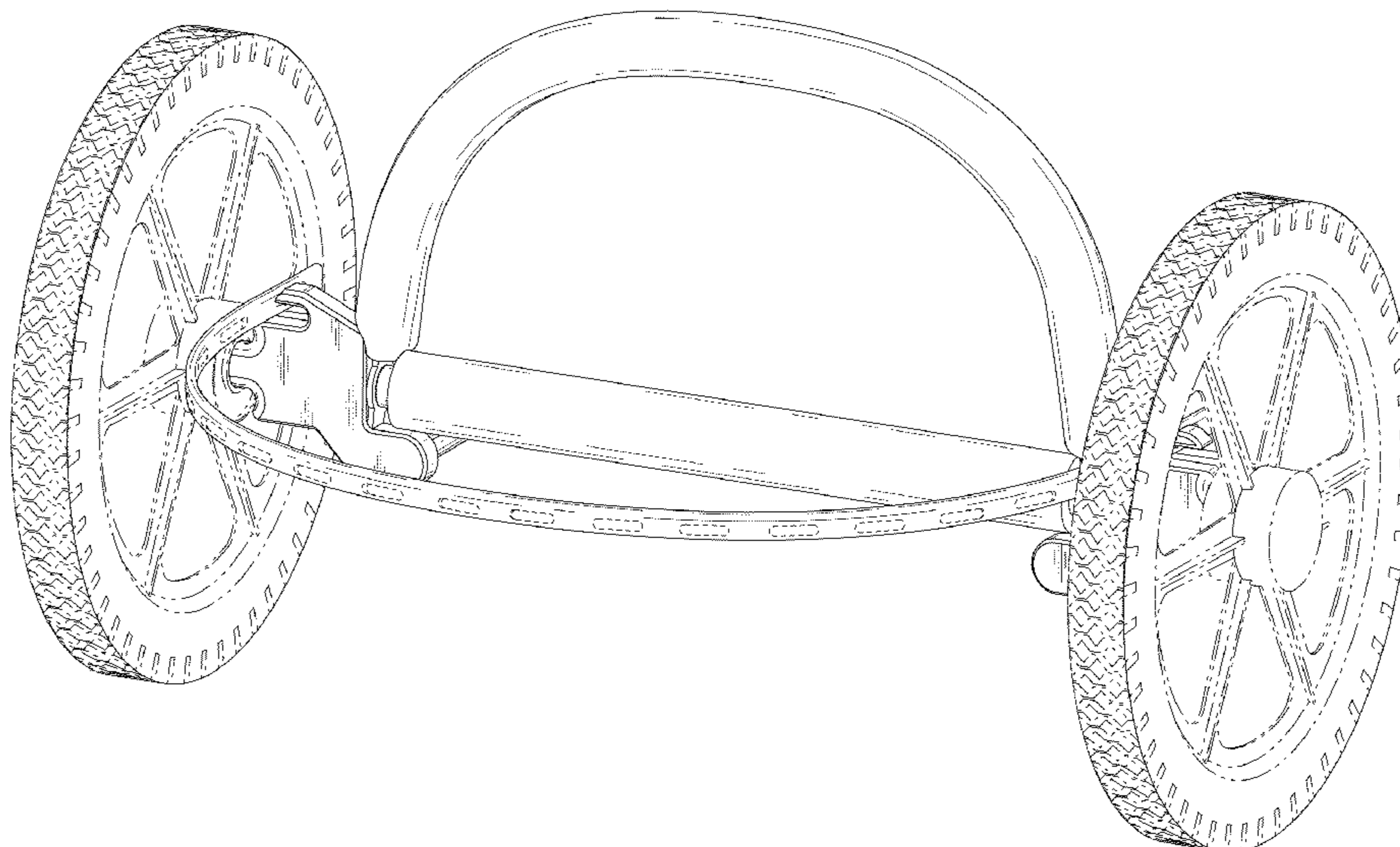
The ornamental design for a wheeled transport device, as shown and described.

DESCRIPTION

FIG. 1 is a perspective view showing an exemplary embodiment of my new wheeled transport device design;
 FIG. 2 is a front view thereof;
 FIG. 3 is a back view thereof;
 FIG. 4 is a left side view thereof;
 FIG. 5 is a right side view thereof;
 FIG. 6 is a top view thereof; and,
 FIG. 7 is a bottom view thereof.

The broken lines shown in the figures are included for the purpose of illustrating portions of the wheeled transport device and form no part of the claimed design.

1 Claim, 6 Drawing Sheets



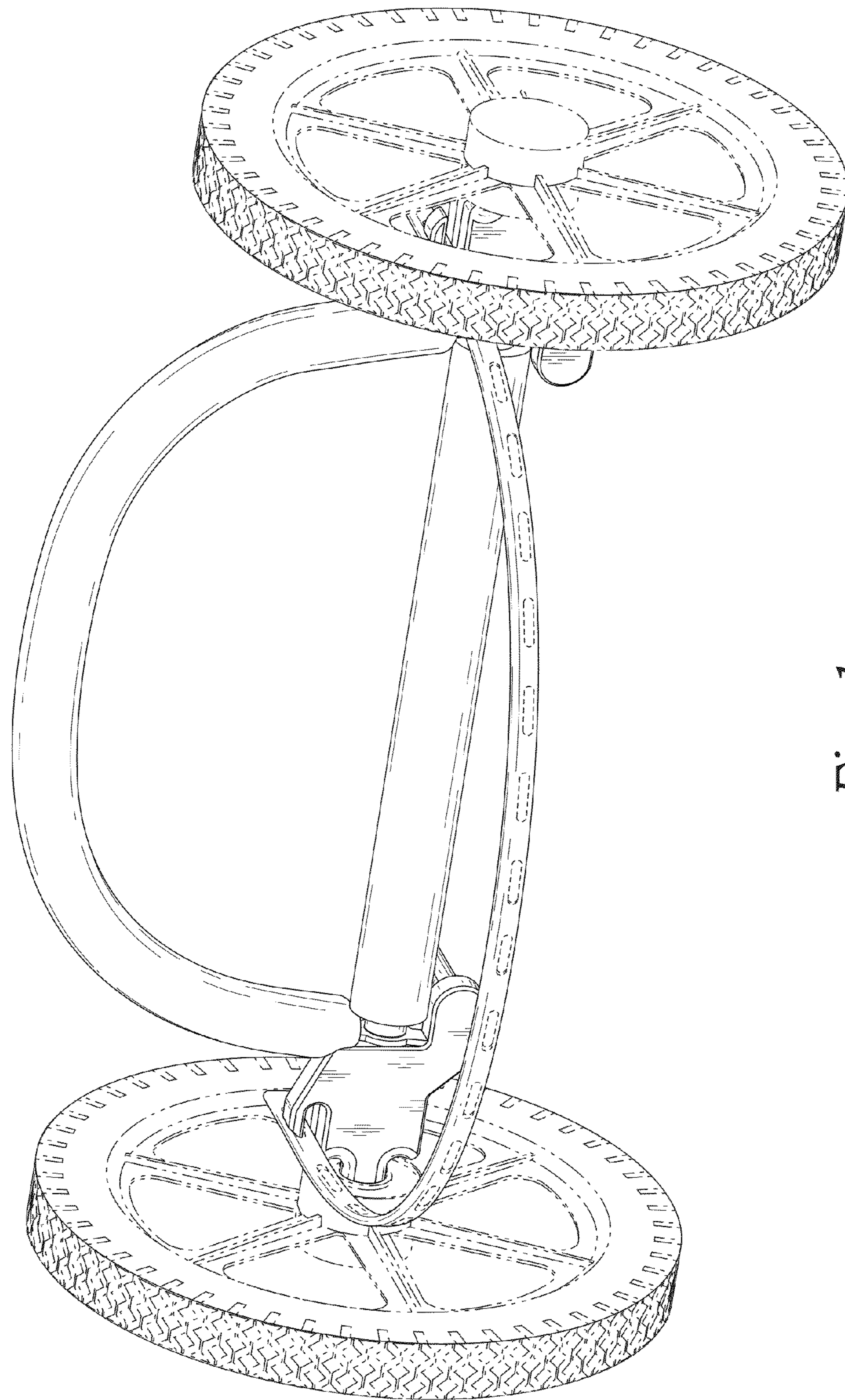


Fig. 1

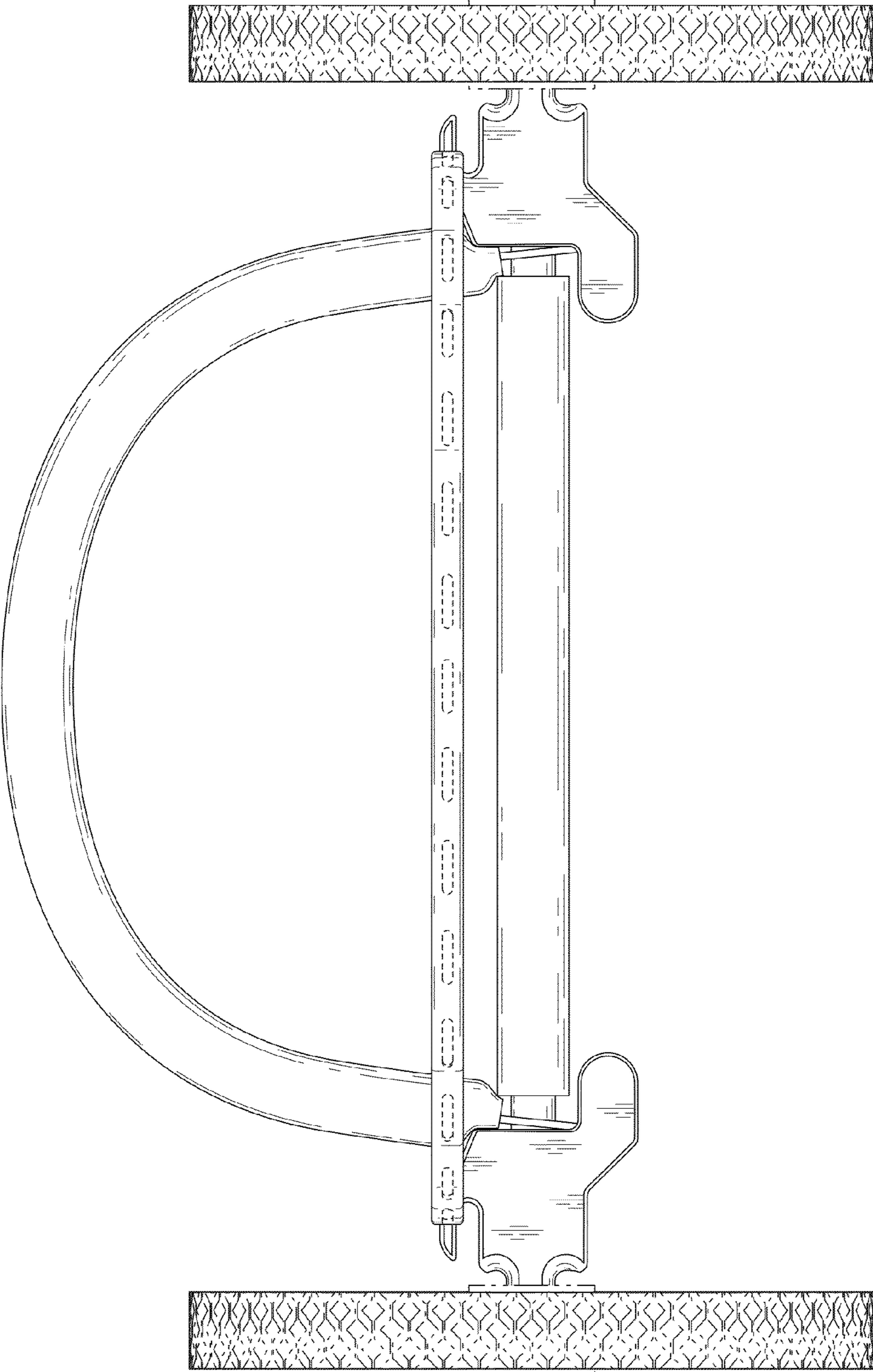


Fig. 2

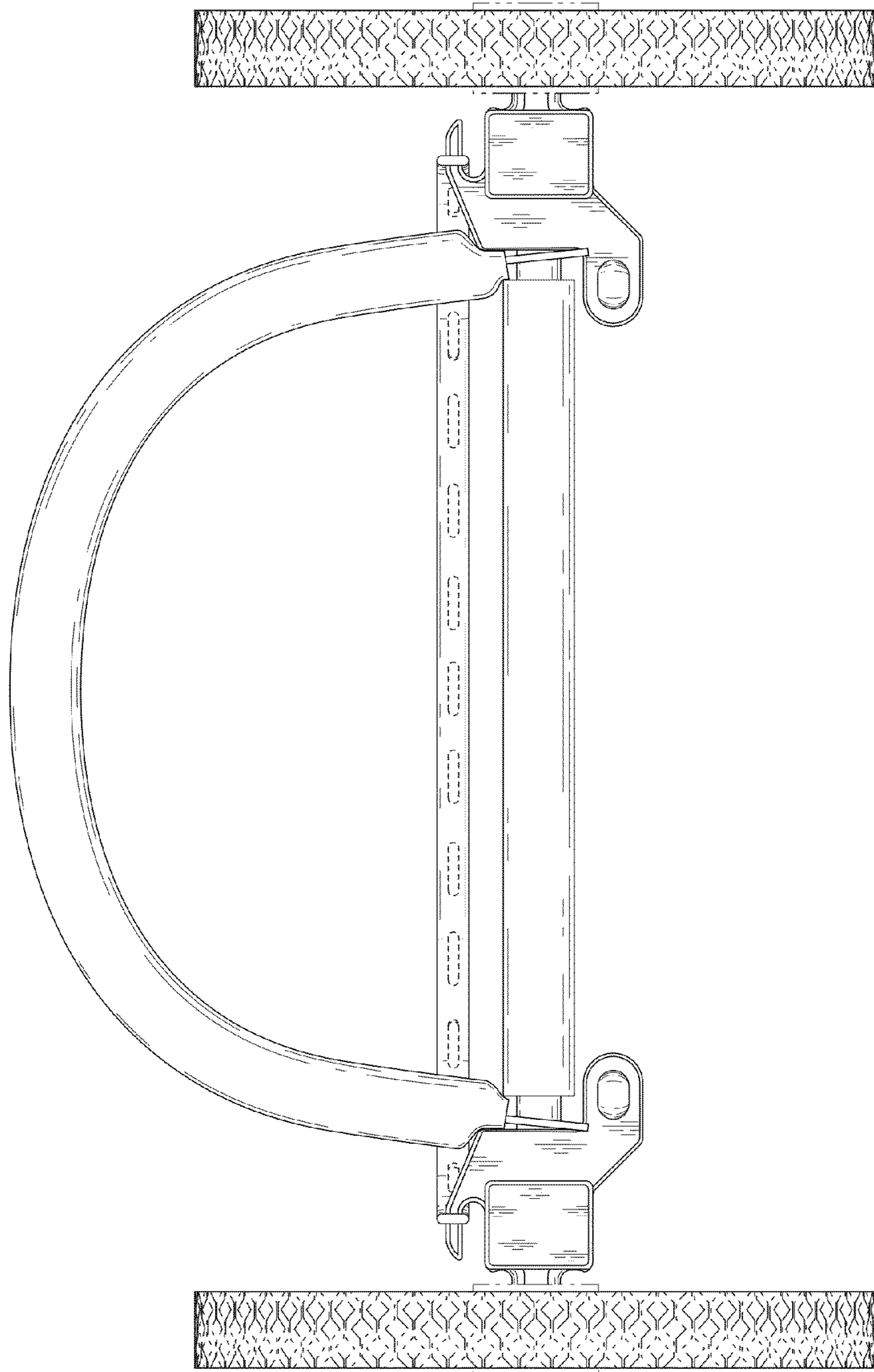


Fig. 3

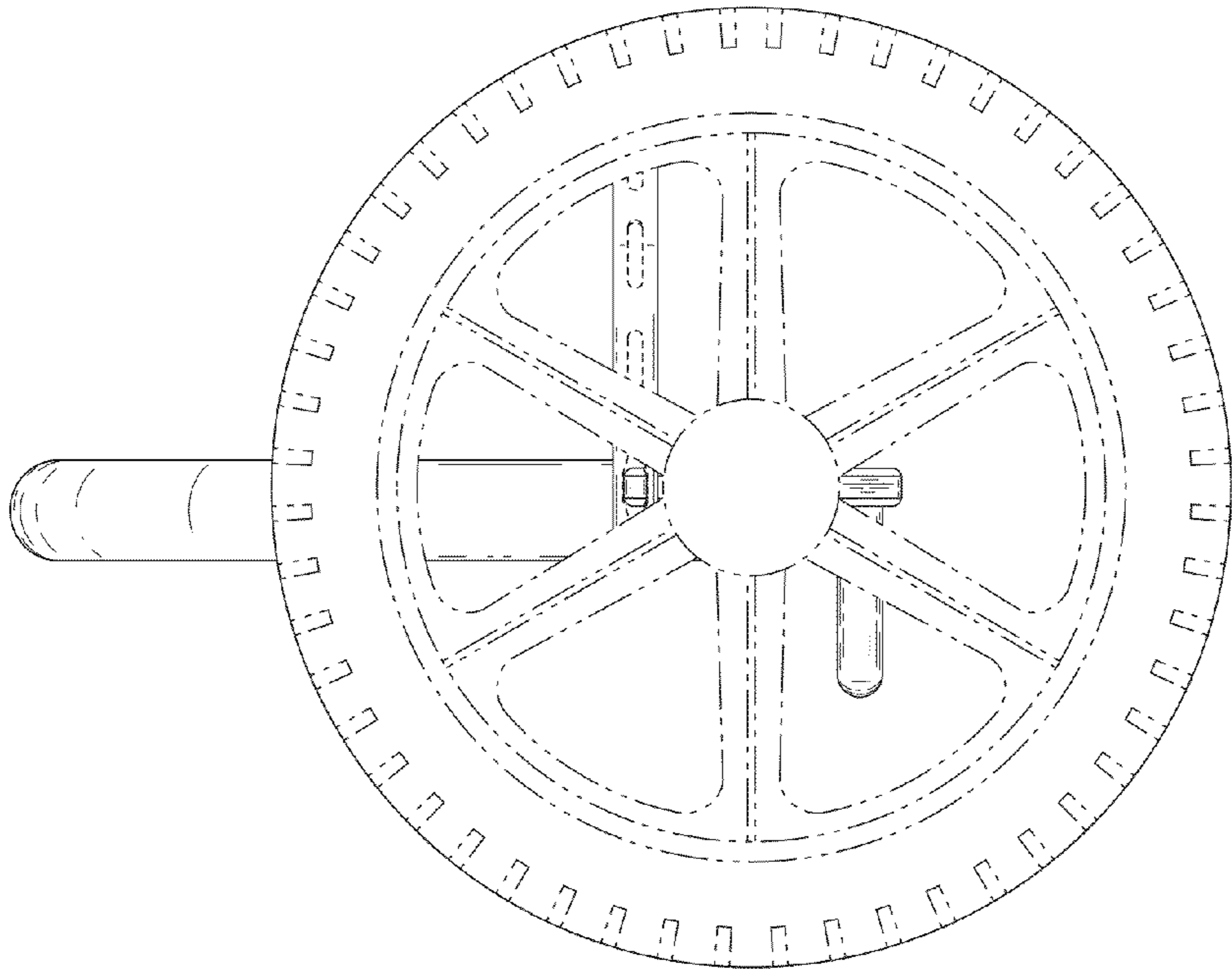


Fig. 5

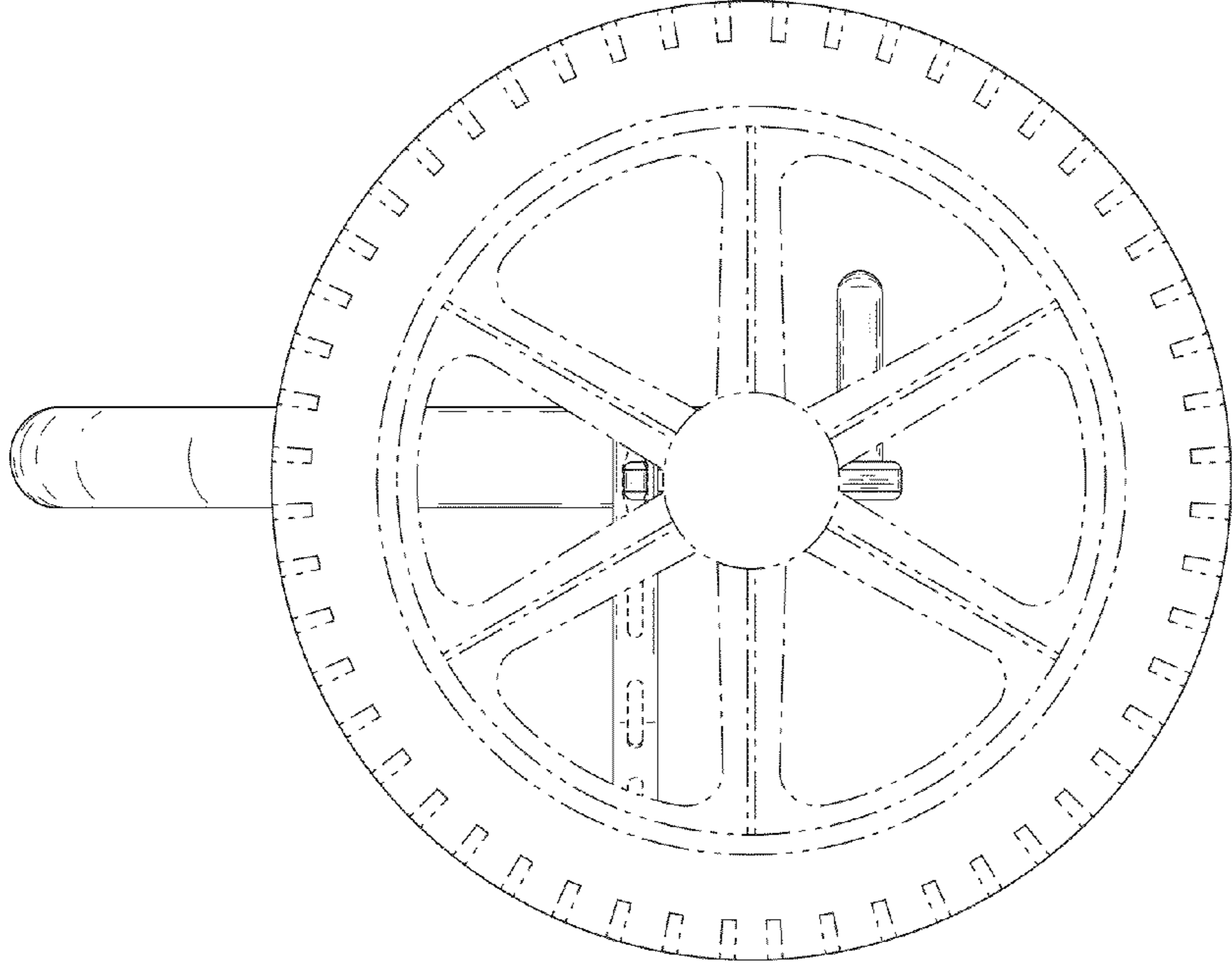


Fig. 4

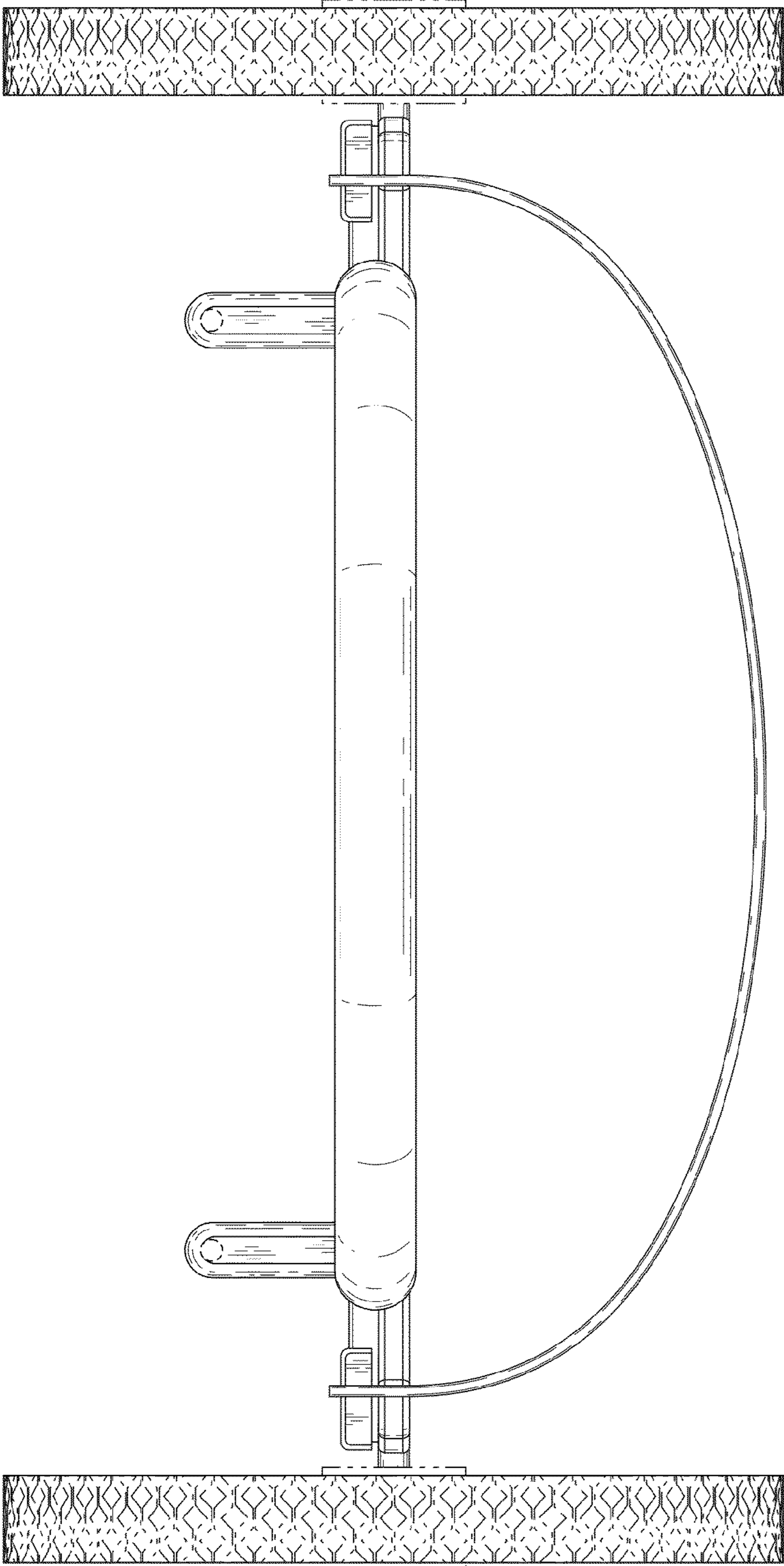


Fig. 6

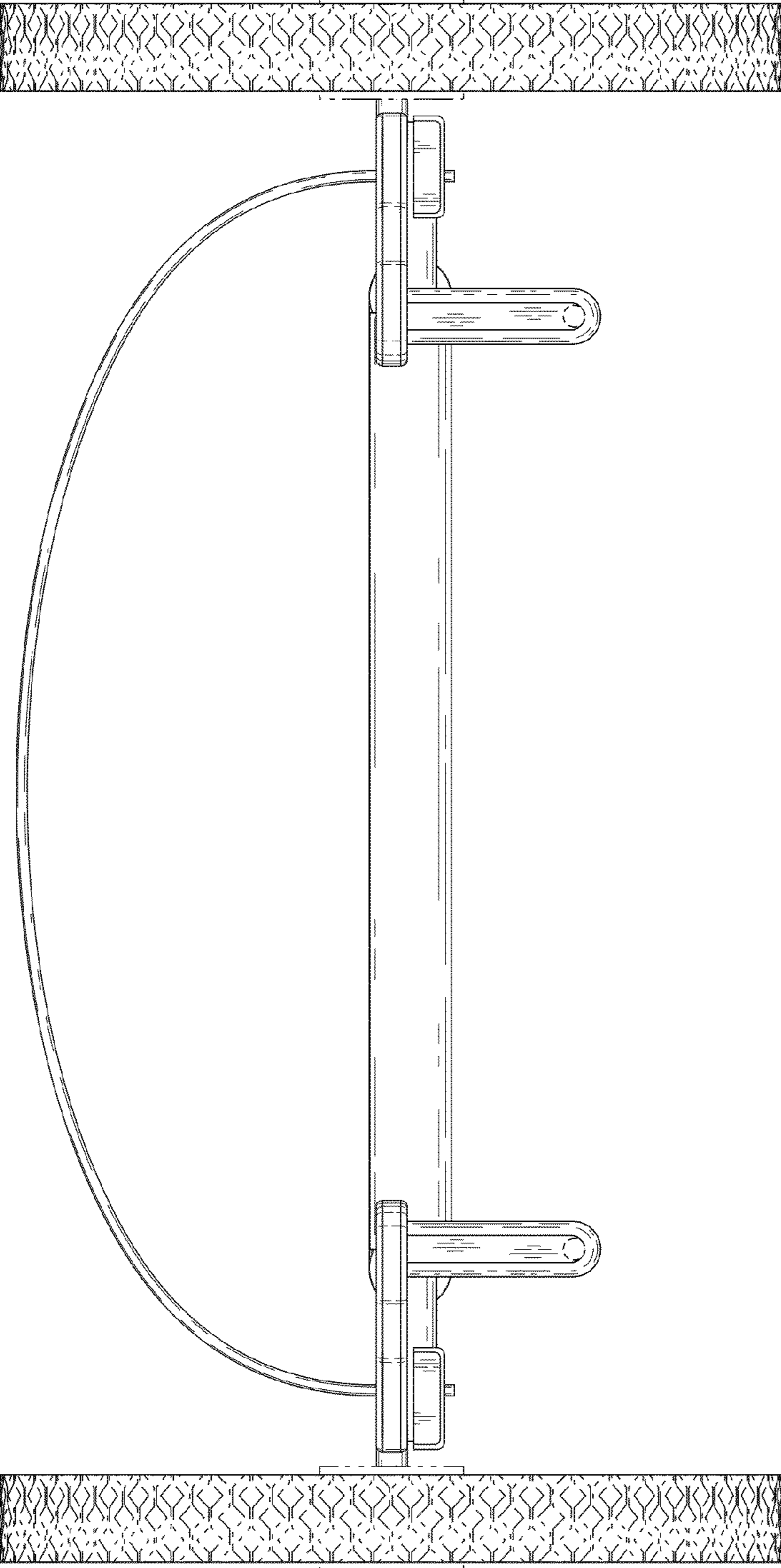


Fig. 7