



US00D676622S

(12) **United States Design Patent**
Thurmond

(10) **Patent No.:** **US D676,622 S**

(45) **Date of Patent:** **** Feb. 19, 2013**

(54) **COMBINED WASTE RECEPTACLE AND WASTE LINER COMPARTMENT**

(76) Inventor: **Erin Thurmond**, New York, NY (US)

(**) Term: **14 Years**

(21) Appl. No.: **29/414,189**

(22) Filed: **Feb. 25, 2012**

(51) **LOC (9) Cl.** **09-09**

(52) **U.S. Cl.** **D34/1**

(58) **Field of Classification Search** D34/1,
D34/5, 6, 7, 8, 9, 10, 11; 220/908, 908.1,
220/675, DIG. 12, DIG. 14, 500, 553, 555
See application file for complete search history.

(56) **References Cited**

U.S. PATENT DOCUMENTS

D213,722 S *	4/1969	Earles et al.	D34/1
4,440,321 A *	4/1984	Campbell et al.	222/153.01
D327,555 S *	6/1992	Juergens	D34/1
D355,511 S *	2/1995	Cassel	D34/1
D355,514 S *	2/1995	Breen	D34/1
D386,866 S *	11/1997	Craft et al.	D34/1
D398,117 S *	9/1998	Giba	D34/1
D476,125 S *	6/2003	Chen	D34/5

D488,277 S *	4/2004	Ciocchini	D34/1
D570,064 S *	5/2008	Ruckman et al.	D34/1
D594,169 S *	6/2009	Connor et al.	D34/5
D603,572 S *	11/2009	Morad et al.	D34/1
D636,959 S *	4/2011	Irwin et al.	D34/1
D643,171 S *	8/2011	Morad et al.	D34/1
D646,035 S *	9/2011	Fish	D34/6

* cited by examiner

Primary Examiner — Cynthia Ramirez

(74) *Attorney, Agent, or Firm* — Henry J. Cittone; Cittone & Chinta LLP

(57) **CLAIM**

The ornamental design for a combined waste receptacle and waste liner compartment, as shown and described.

DESCRIPTION

FIG. 1 is a perspective view from above of a combined waste receptacle and waste liner compartment, showing my new design; and

FIG. 2 is a side view thereof;

FIG. 3 is a side view thereof;

FIG. 4 is a side view thereof; and,

FIG. 5 is a bottom view thereof.

1 Claim, 5 Drawing Sheets

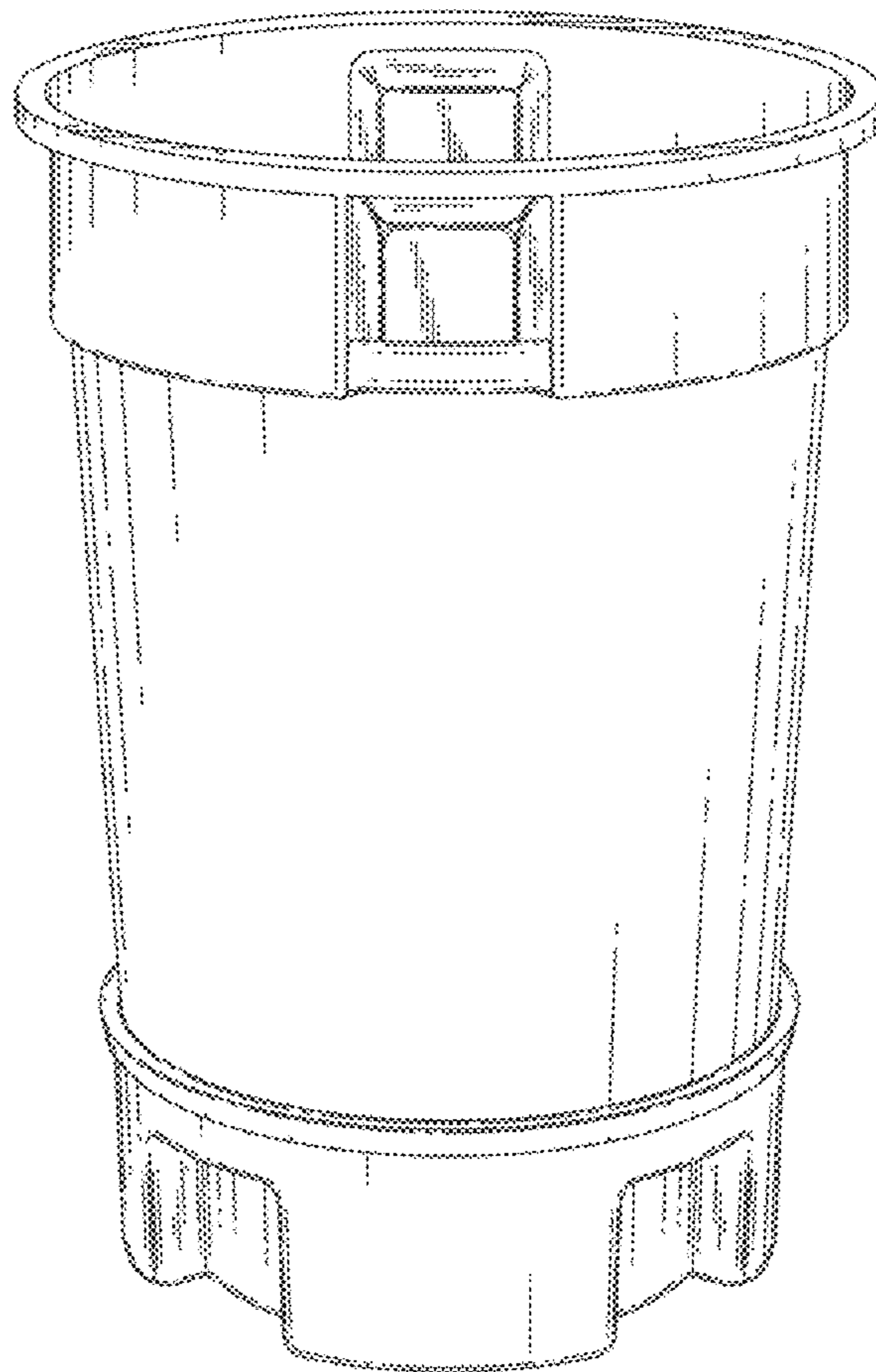


FIG. 1

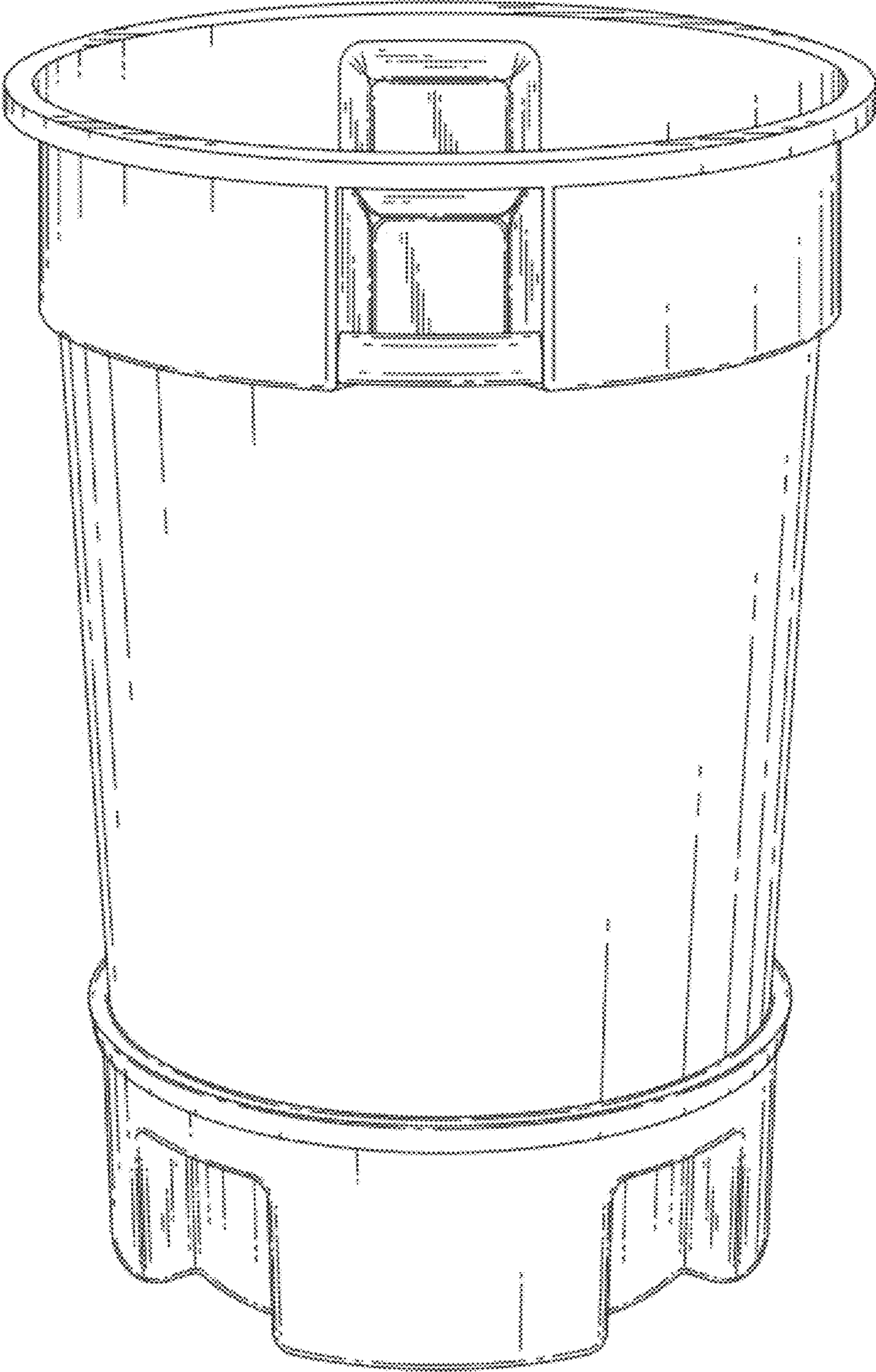


FIG. 2

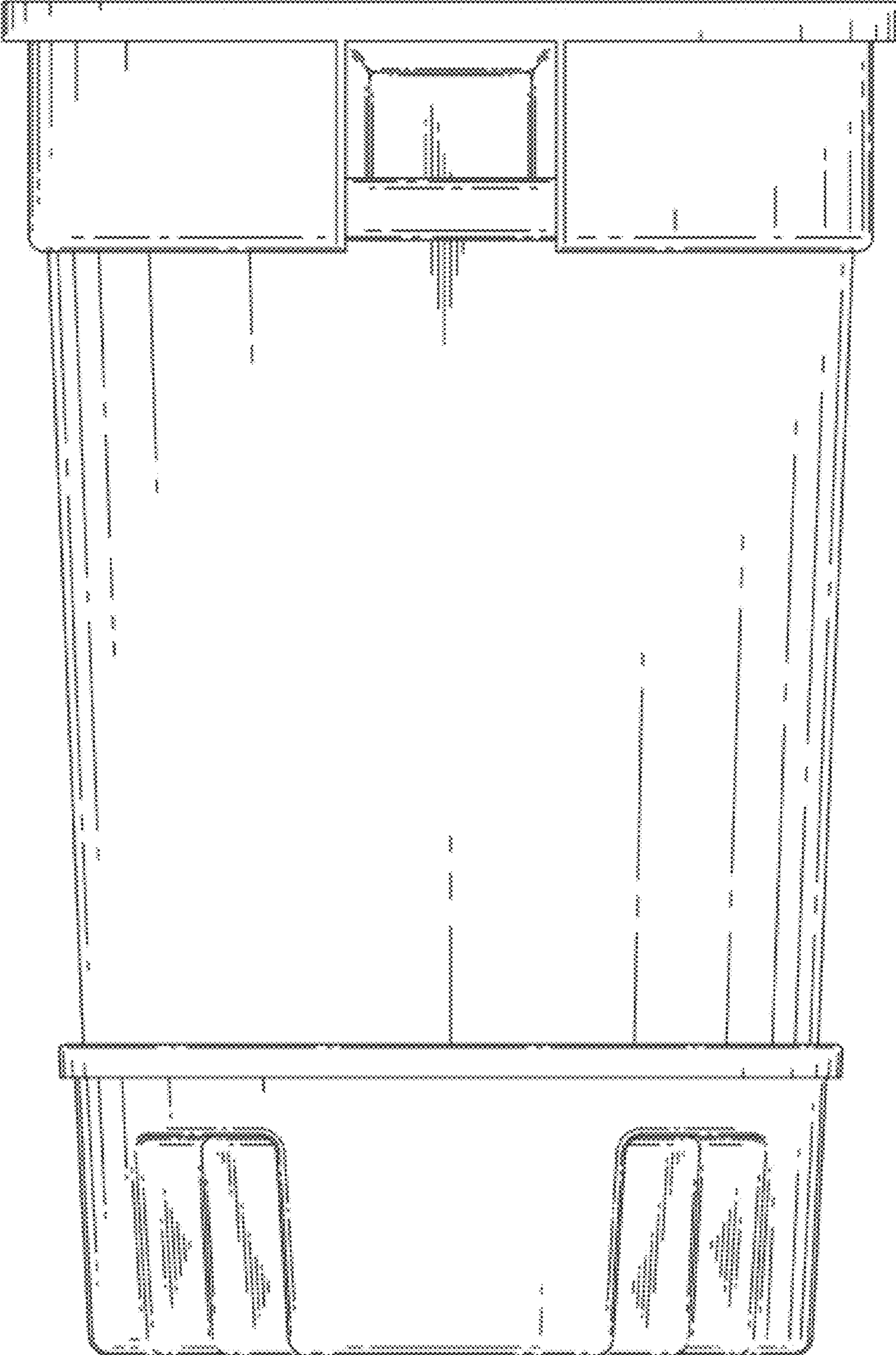


FIG. 3

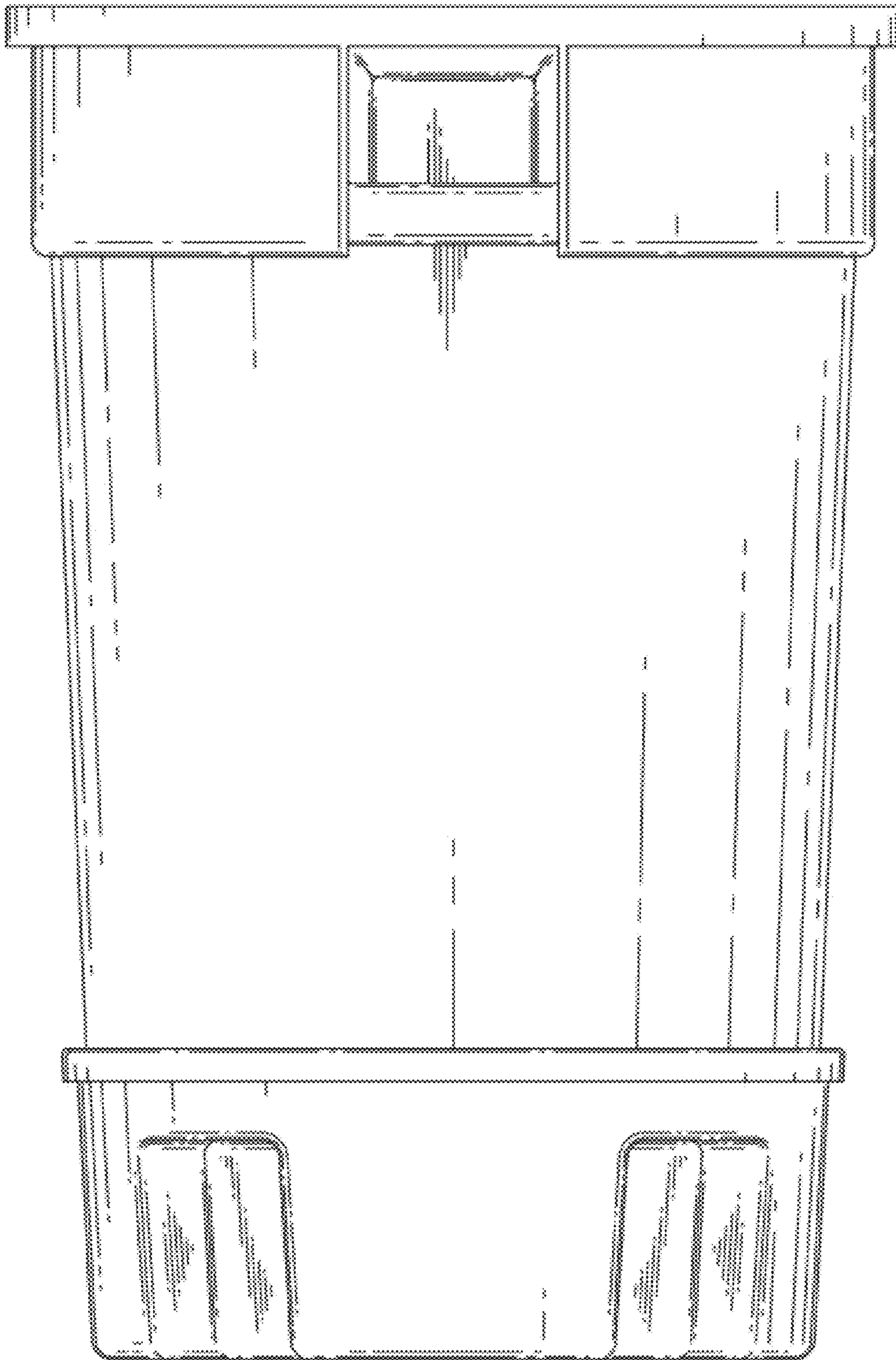


FIG. 4

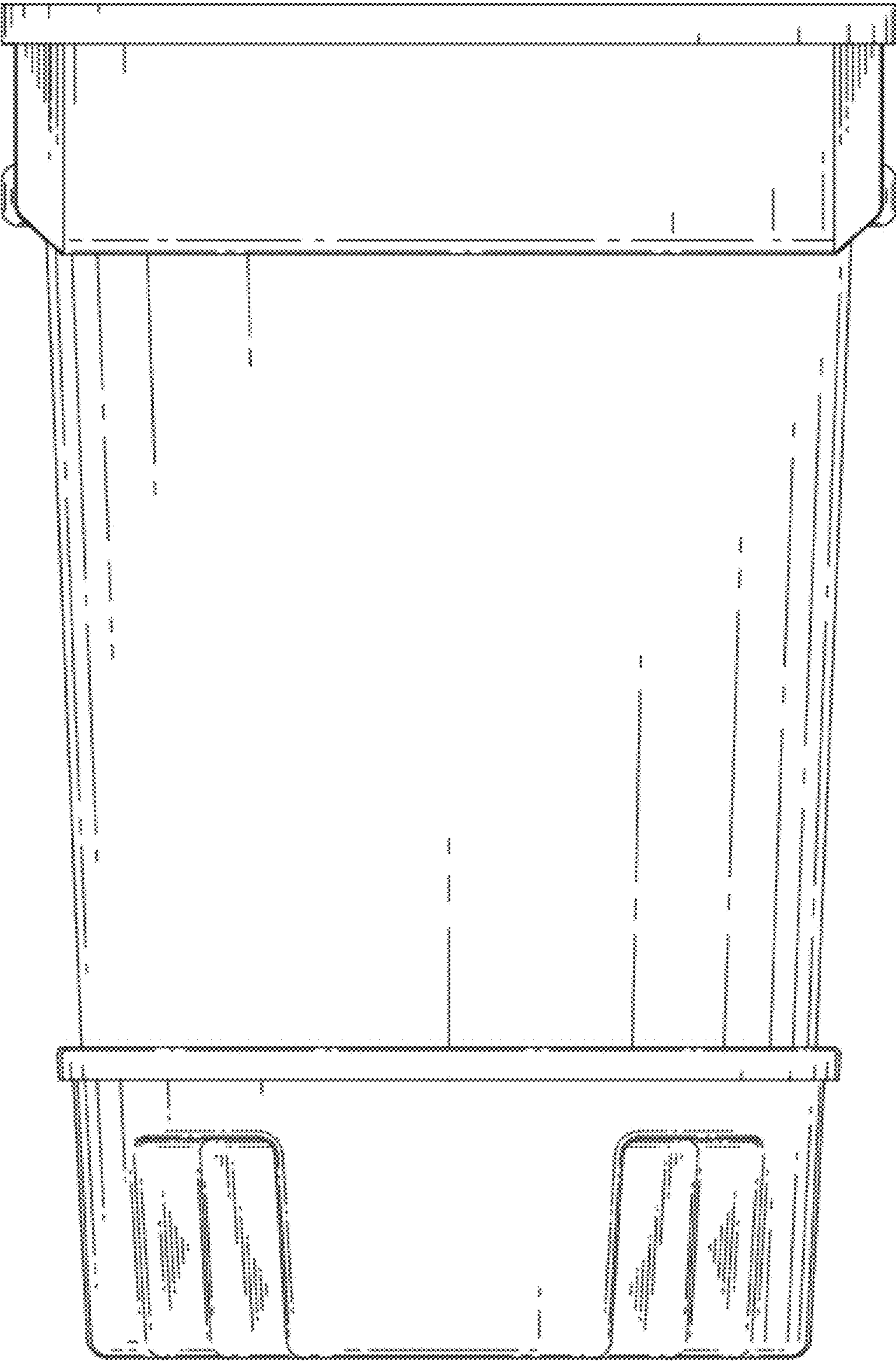


FIG. 5

