

US00D676620S

(12) **United States Design Patent**  
**Lindom**

(10) **Patent No.:** **US D676,620 S**

(45) **Date of Patent:** **\*\* Feb. 19, 2013**

(54) **DEBRIS COLLECTION VACUUM ATTACHMENT**

(76) Inventor: **Jayd Allen Lindom**, Saint Cloud, MN (US)

(\*\*) Term: **14 Years**

(21) Appl. No.: **29/408,296**

(22) Filed: **Dec. 9, 2011**

**Related U.S. Application Data**

(63) Continuation-in-part of application No. 29/384,711, filed on Feb. 3, 2011.

(51) **LOC (9) Cl.** ..... **15-05**

(52) **U.S. Cl.** ..... **D32/31**

(58) **Field of Classification Search** ..... D32/21, D32/23-24, 31; 15/327.1-327.2, 327.4-327.7, 15/1.7, 320-321, 323, 353, 329, 347, 246.2, 15/246.4, 301, 310, 313, 414, 328, 415.1, 15/340.1, 4, 319; 210/241, 167.16, 167.17; 285/7; 701/25, 200; 901/1, 46; 700/245; 318/568.12; 55/DIG. 3, 429

See application file for complete search history.

(56) **References Cited**

**U.S. PATENT DOCUMENTS**

D453,245 S \* 1/2002 Murphy et al. .... D32/31  
7,422,615 B2 \* 9/2008 Kim ..... 55/426  
D581,612 S \* 11/2008 Yoo et al. .... D32/31

D583,117 S \* 12/2008 Peace et al. .... D32/31  
7,470,299 B2 \* 12/2008 Han et al. .... 55/345  
D589,219 S \* 3/2009 Knox et al. .... D32/31  
7,635,400 B2 \* 12/2009 Yoo ..... 55/345  
D617,065 S \* 6/2010 Williams et al. .... D32/31  
D632,037 S \* 2/2011 Carr et al. .... D32/31  
7,966,692 B2 \* 6/2011 Kim ..... 15/353  
2005/0050678 A1 \* 3/2005 Oh et al. .... 15/353  
2005/0198769 A1 \* 9/2005 Lee et al. .... 15/353  
2006/0037172 A1 \* 2/2006 Choi ..... 15/353  
2006/0130265 A1 \* 6/2006 Oh et al. .... 15/327.2  
2009/0205162 A1 \* 8/2009 Oh et al. .... 15/353

\* cited by examiner

*Primary Examiner* — Ruth McInroy

(74) *Attorney, Agent, or Firm* — Dave Alan Lingbeck

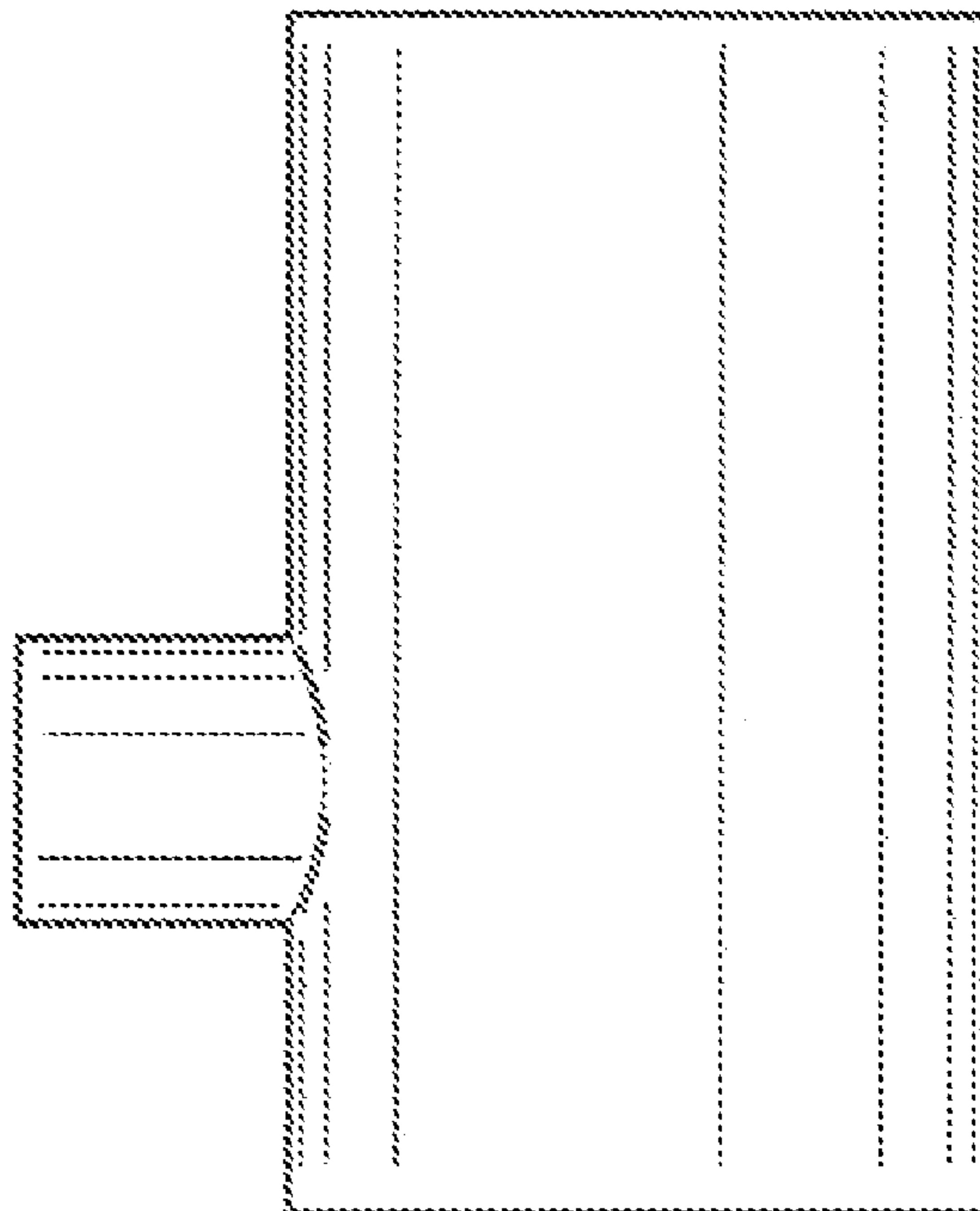
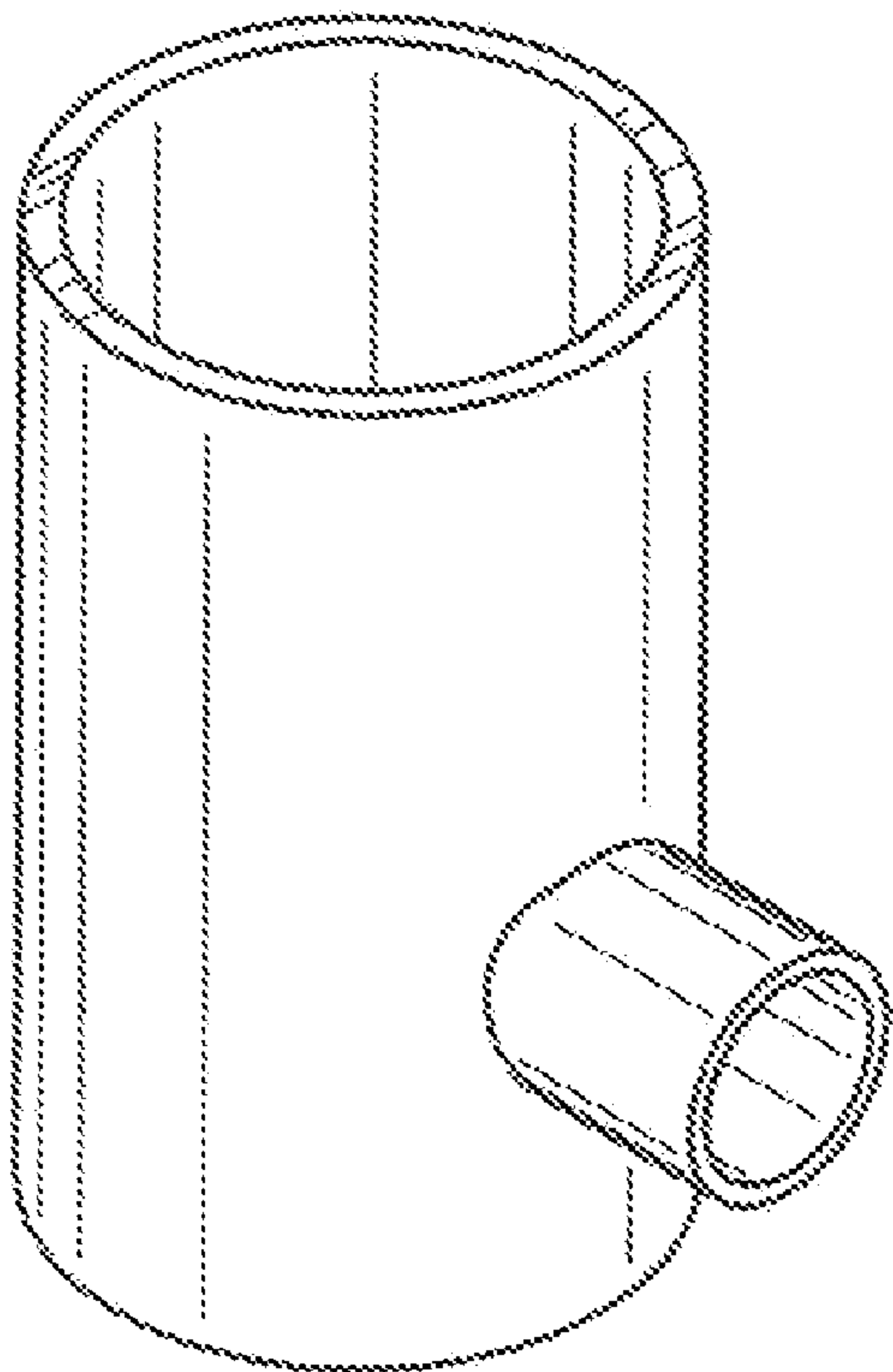
(57) **CLAIM**

The ornamental design for a debris collection vacuum attachment, as shown and described.

**DESCRIPTION**

FIG. 1 is a top and front perspective view of a debris collection vacuum attachment showing my new design; FIG. 2 is a bottom and rear perspective view thereof; FIG. 3 is a side elevational view thereof; FIG. 4 is a top plan view thereof; and, FIG. 5 is a front elevational view thereof.

**1 Claim, 2 Drawing Sheets**



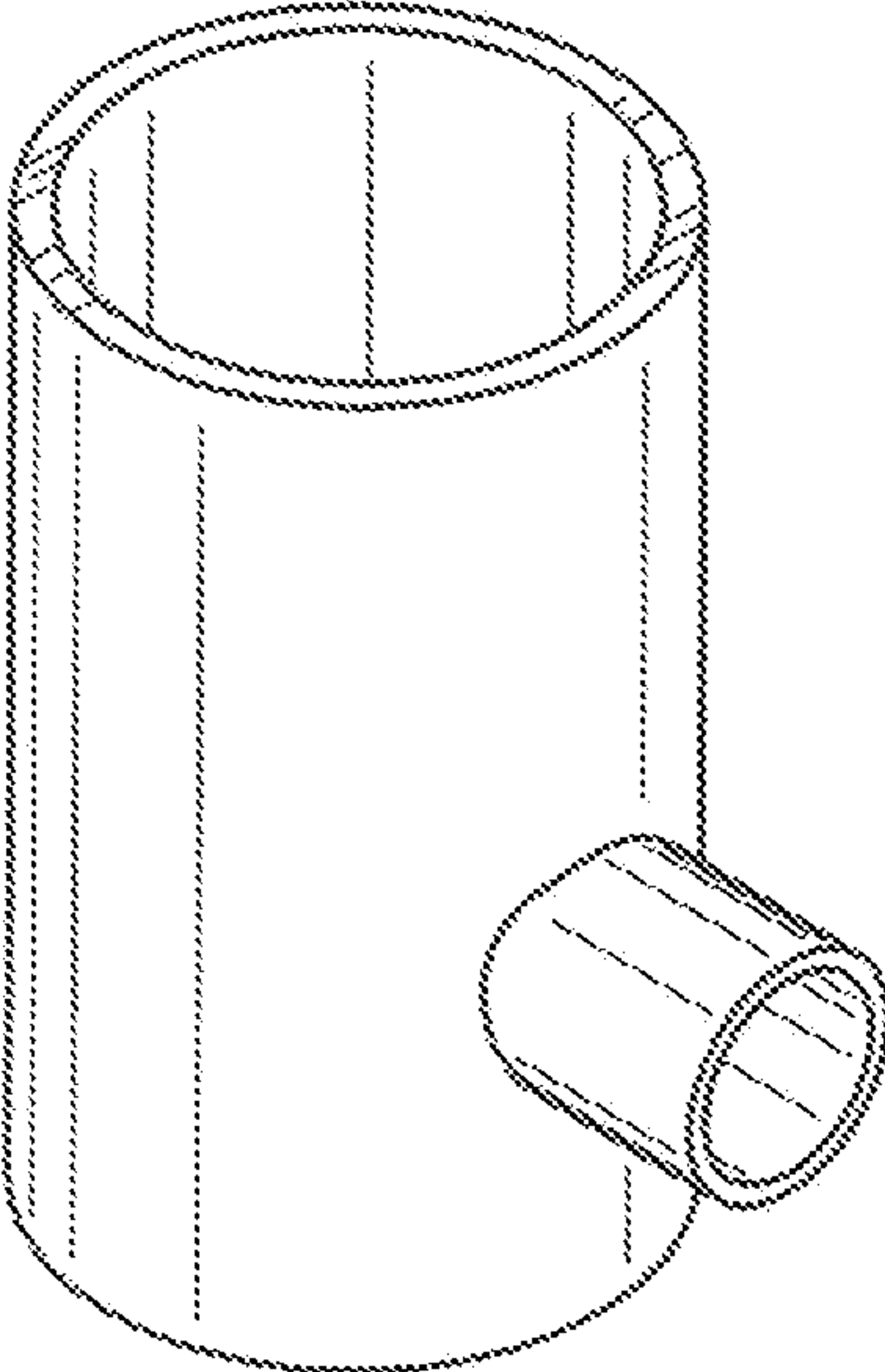


FIG. 1

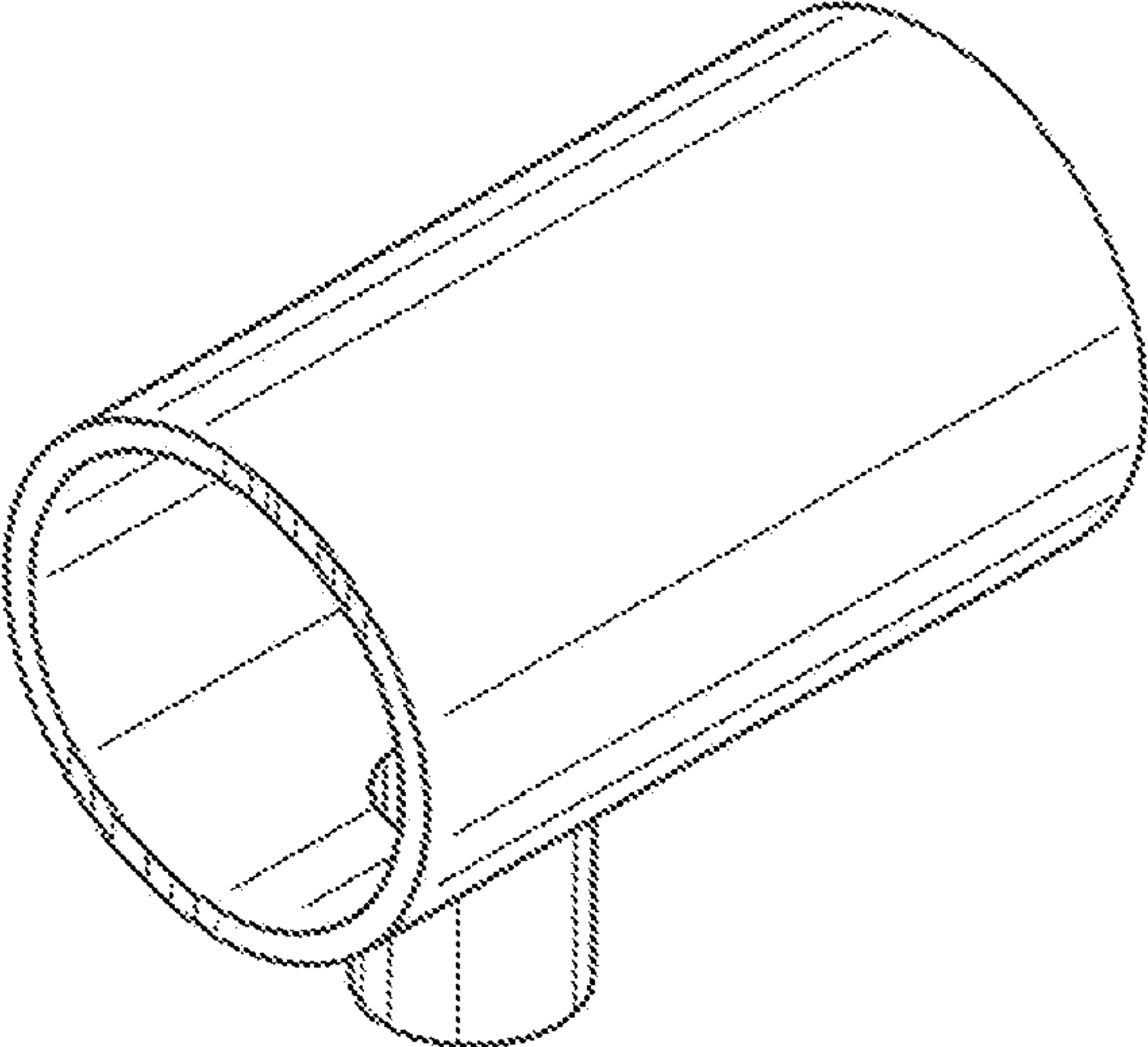


FIG. 2

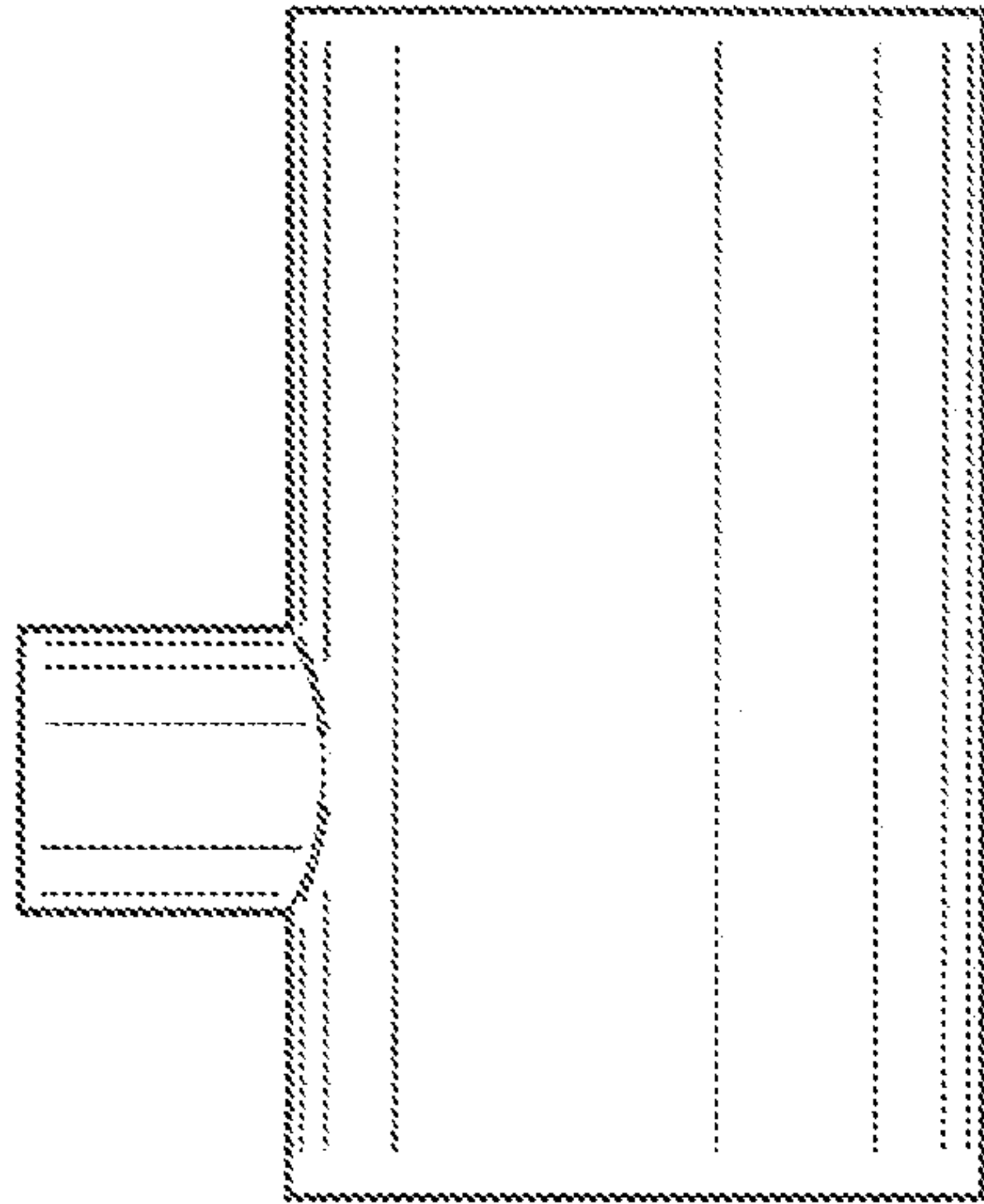


FIG. 3

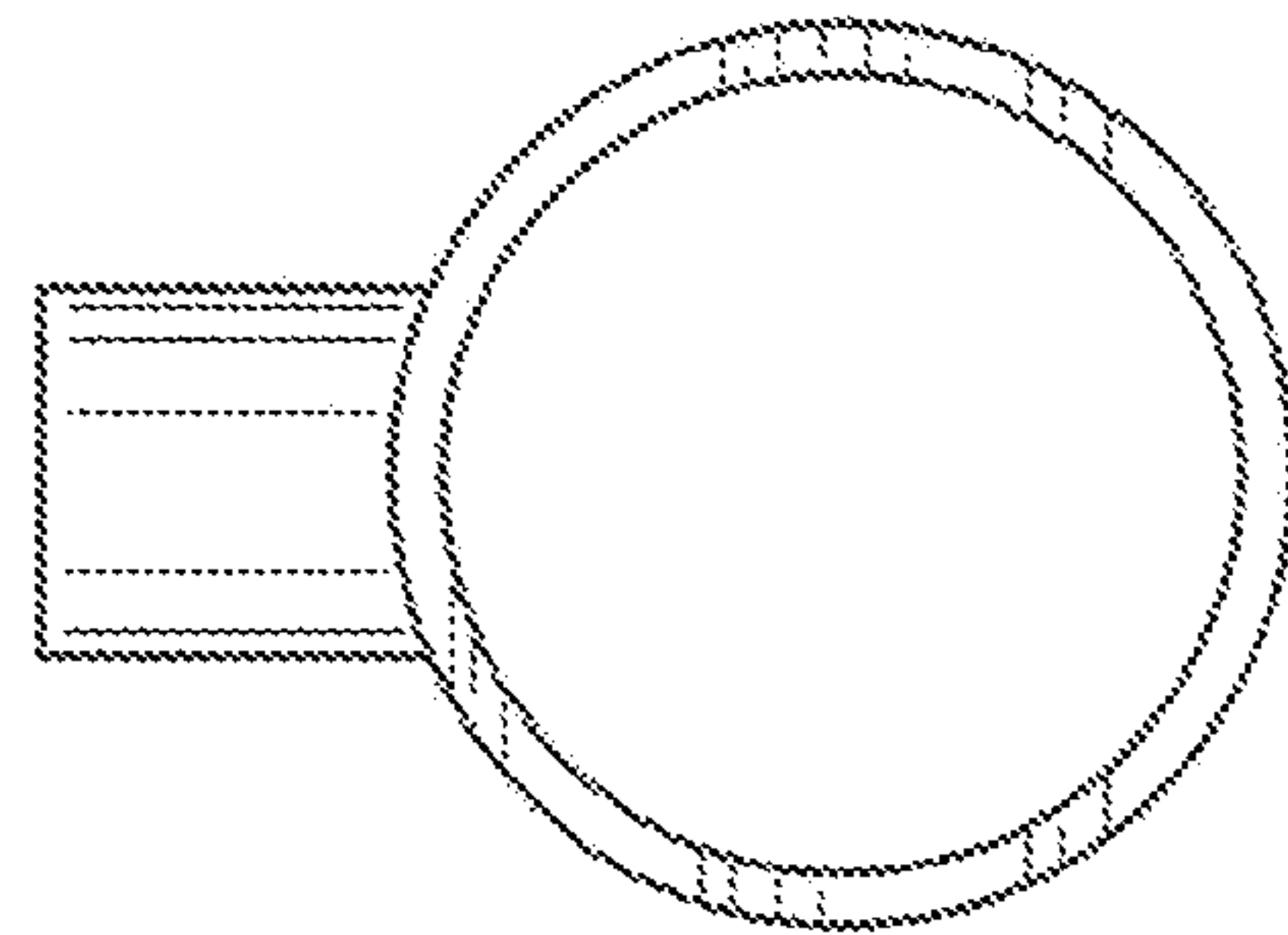


FIG. 4

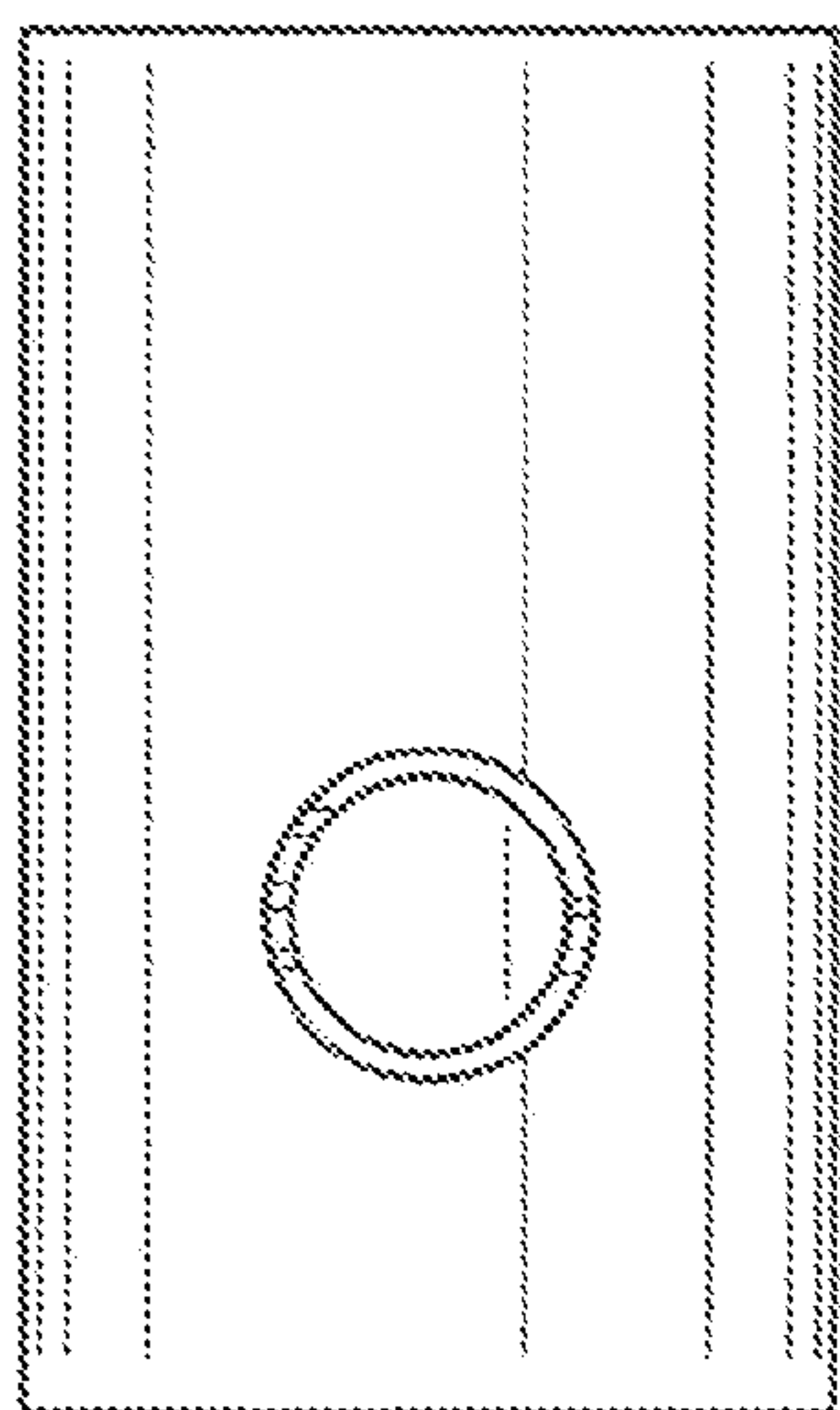


FIG. 5