



US00D676618S

(12) **United States Design Patent**
Kalbach

(10) **Patent No.:** **US D676,618 S**
(45) **Date of Patent:** **** Feb. 19, 2013**

- (54) **RETRACTABLE LEASH**
- (75) Inventor: **Edward Van Lee Kalbach**, Nibley, UT (US)
- (73) Assignee: **EK Ekcessories, Inc.**, Logan, UT (US)
- (**) Term: **14 Years**
- (21) Appl. No.: **29/416,045**
- (22) Filed: **Mar. 16, 2012**
- (51) **LOC (9) Cl.** **30-04**
- (52) **U.S. Cl.** **D30/153; D30/152**
- (58) **Field of Classification Search** D30/151–155, D30/144, 199, 160; 119/792–798, 850, 855–859, 119/863–865, 654, 905, 907, 815, 712, 802, 119/784, 769, 760; 242/381.1–381.2, 385.4, 242/378.3, 376.1, 385.1, 916, 601, 570, 405, 242/404, 371, 223, 170, 388.1, 405.2, 377, 242/381.3, 381.6, 405.3, 388.6, 384.7, 382, 242/396.1, 404.1, 380; 362/108; 33/767, 33/769, 414; D12/400; D3/229, 230, 207, D3/208; 40/1.5, 455, 640, 303; 206/63.3, 206/459.5, 702, 408; D6/515; D8/358, 360, D8/347, 360.1, 359, 356, DIG. 1; D24/145; D10/57, 104, 72; D20/28; 224/666, 678; 16/445; 283/74, 70; D11/232; 24/163 K, 24/122.3; 428/3, 4; 54/76; 63/29.1; 191/12.2 R, 191/12.4; D13/154, 153, 137.4, 155; D19/69, D19/67; 379/438; 446/26; 473/576; D22/140; 174/135; 439/504, 13, 501; D34/33; 188/83, 188/82.1, 65.1; 254/134.3 FT; D29/124
See application file for complete search history.

- 1,270,207 A 6/1918 Preston
- 1,455,715 A * 5/1923 Danese 242/378.3
- 1,509,781 A 9/1924 Roth
- 1,819,738 A 8/1931 Daniel
- D110,092 S * 6/1938 Kestenman D11/3
- 2,222,409 A * 11/1940 Gottlieb 242/377
- D124,073 S * 12/1940 Gottlieb D30/153
- 2,232,580 A * 2/1941 Wickemeyer 191/12.4
- 2,250,171 A * 7/1941 Wilkins 242/377
- D128,606 S * 8/1941 Stickell D30/153
- 2,314,504 A * 3/1943 Lifchultz 242/379.2
- D143,821 S * 2/1946 Holmsky D11/3
- 2,449,464 A * 9/1948 Eypper 242/388.1
- 2,481,946 A 9/1949 Pendleton
- 2,521,226 A * 9/1950 Keller 242/395
- 2,539,922 A 1/1951 Nyberg
- D163,987 S * 7/1951 Barre D10/38
- 2,572,889 A 10/1951 Strykower
- 2,616,394 A * 11/1952 Elsinger 119/864

(Continued)

OTHER PUBLICATIONS

“J.A.M. Plastics, Inc. Catalog” Oct. 1, 1996, Anaheim California.

(Continued)

Primary Examiner — Susan Moon Lee

(74) *Attorney, Agent, or Firm* — TraskBritt, P.C.

(57) **CLAIM**

The ornamental design for a retractable leash, as shown and described.

DESCRIPTION

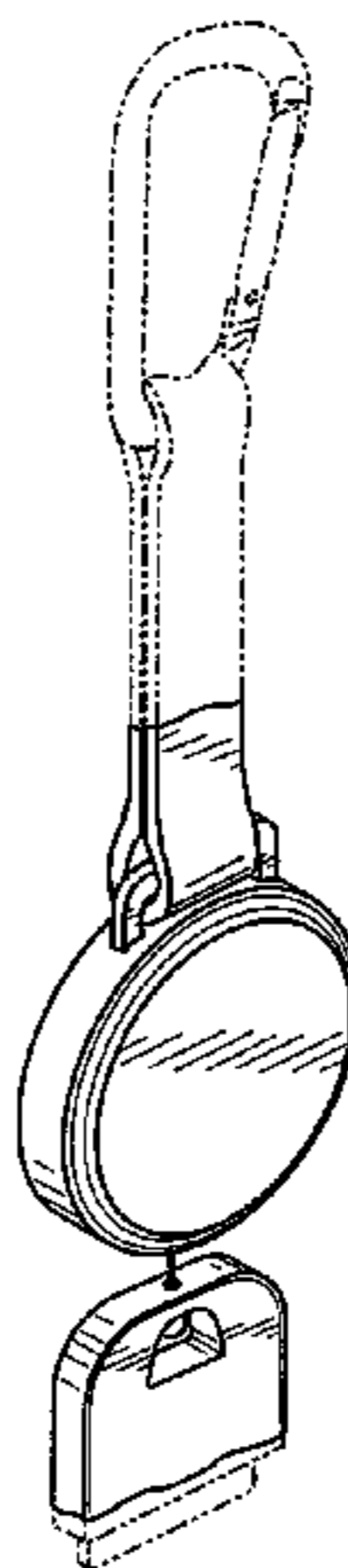
FIG. 1 is a perspective view of a retractable leash showing my new design;
 FIG. 2 is a front view of the retractable leash shown in FIG. 1;
 FIG. 3 is a back view of the retractable leash shown in FIG. 1;
 FIG. 4 is a first side view of the retractable leash shown in FIG. 1; and,
 FIG. 5 is a second side view of the retractable leash shown in FIG. 1.
 Broken lines and portions contained within broken line are not claimed.

1 Claim, 3 Drawing Sheets

(56) **References Cited**

U.S. PATENT DOCUMENTS

- 245,979 A * 8/1881 Sloat 40/303
- 452,830 A 5/1891 Bowie et al.
- D21,338 S * 2/1892 McIntosh D20/28
- 652,891 A 7/1900 Cochran
- 870,784 A * 11/1907 Huff 119/794
- D40,569 S * 3/1910 Anderson D30/138
- 1,077,025 A * 10/1913 Whitehead 63/18



US D676,618 S

D416,038 S	11/1999	Kalbach		D541,523 S	5/2007	Zoullas et al.	
D417,407 S *	12/1999	Da Costa	D10/57	D544,211 S *	6/2007	Herzberg	D3/327
6,000,795 A	12/1999	Van Rysselberghe		D544,400 S	6/2007	Yoshiguchi	
D418,774 S	1/2000	Kalbach		D556,606 S *	12/2007	Stauffer et al.	D10/40
D419,426 S *	1/2000	Kovacik et al.	D8/358	D557,008 S	12/2007	Stiller	
D423,783 S	5/2000	Steurer		D561,565 S *	2/2008	Mitchell	D8/358
6,056,173 A *	5/2000	Gillespie	224/247	D563,526 S *	3/2008	Bauer	D23/249
6,059,081 A *	5/2000	Patterson et al.	191/12.2 R	7,343,647 B1 *	3/2008	Kinsky et al.	24/3.13
6,092,897 A	7/2000	Smerdon, Jr.		D567,704 S	4/2008	Martin	
D430,957 S *	9/2000	Boucugnani et al.	D29/100	D581,256 S *	11/2008	Jiang	D8/358
6,113,452 A *	9/2000	McGowan et al.	446/26	D584,937 S *	1/2009	Kovacik et al.	D8/358
D432,084 S *	10/2000	Miller	D13/137.4	7,478,927 B2 *	1/2009	Matthew et al.	362/258
D432,401 S	10/2000	Kalbach		D601,916 S	10/2009	Moss	
D434,000 S *	11/2000	Miller	D13/137.4	D619,495 S	7/2010	Herman	
6,182,334 B1	2/2001	Davancens		D621,606 S	8/2010	Marquardt	
6,205,956 B1 *	3/2001	Dickie et al.	119/792	D628,797 S	12/2010	Kalbach	
D440,144 S *	4/2001	Todd	D8/354	D628,798 S	12/2010	Kalbach	
6,241,750 B1 *	6/2001	Moultrie	606/234	D629,331 S	12/2010	Kalbach	
D446,109 S	8/2001	Kalbach		D634,232 S	3/2011	Kelly et al.	
6,273,029 B1 *	8/2001	Gish	119/792	D637,364 S *	5/2011	Blakemore	D30/153
6,273,354 B1 *	8/2001	Kovacik et al.	242/404	D637,478 S	5/2011	Kalbach	
D448,651 S *	10/2001	Kovacik et al.	D8/358	D638,330 S	5/2011	Fahrendorff et al.	
D449,974 S *	11/2001	Stekelenburg	D8/358	D639,642 S	6/2011	Kalbach	
D450,446 S *	11/2001	Morrone	D3/208	D639,691 S *	6/2011	James	D11/7
D460,344 S *	7/2002	Smith	D8/367	D644,139 S	8/2011	Kalbach	
D461,451 S *	8/2002	Hawley	D13/137.4	D651,769 S *	1/2012	Farrell	D30/153
6,439,360 B1 *	8/2002	Miller	191/12.2 R	D662,435 S *	6/2012	Kalbach	D11/3
D462,513 S	9/2002	Holzhaus et al.		D662,436 S *	6/2012	Kalbach	D11/3
D462,523 S	9/2002	Kalbach		2002/0046714 A1 *	4/2002	Simmons	119/771
D463,104 S *	9/2002	Ames	D3/207	2002/0125997 A1 *	9/2002	Kashi et al.	340/10.52
6,471,560 B2 *	10/2002	Kerckhoff	441/75	2004/0001179 A1	1/2004	Kalbach	
D467,416 S	12/2002	Kalbach		2004/0094630 A1 *	5/2004	Tani	235/487
D468,189 S *	1/2003	Kovacik et al.	D8/358	2005/0211189 A1 *	9/2005	Price	119/794
D472,798 S	4/2003	Kalbach		2006/0076419 A1 *	4/2006	Johnson	235/492
D473,156 S *	4/2003	Sloot	D11/79	2006/0087440 A1 *	4/2006	Klein	340/573.3
D474,678 S *	5/2003	Buettell	D8/382	2006/0137625 A1 *	6/2006	Conte	119/858
6,581,547 B1 *	6/2003	Austin	119/794	2006/0144343 A1 *	7/2006	Price	119/794
D477,709 S	7/2003	Natividad		2006/0236956 A1 *	10/2006	Lord	119/794
D481,234 S *	10/2003	Lai	D6/524	2007/0039560 A1 *	2/2007	Smith	119/794
6,679,448 B1 *	1/2004	Carpenter et al.	242/385.3	2008/0000431 A1 *	1/2008	Longo	119/795
D486,511 S	2/2004	Kalbach		2008/0000432 A1 *	1/2008	Alhegelan	119/796
D487,015 S	2/2004	Kalbach		2008/0072844 A1 *	3/2008	Konigsberg	119/770
6,709,100 B2	3/2004	Kalbach		2009/0015000 A1 *	1/2009	Wolfe	283/74
6,711,785 B1	3/2004	Hicks et al.					
D488,448 S *	4/2004	Ranger	D13/154				
D491,444 S *	6/2004	Nicholls	D8/358				
6,752,305 B2	6/2004	Shattuck					
D495,443 S *	8/2004	Kim	D26/38				
D496,253 S *	9/2004	Kovacik et al.	D8/358				
6,810,685 B2 *	11/2004	Esposito, Jr.	63/39				
6,851,530 B2 *	2/2005	Wei	191/12.2 R				
6,877,889 B2 *	4/2005	Peng et al.	362/570				
6,892,678 B2 *	5/2005	Cheng	119/859				
D505,859 S *	6/2005	Suzuki	D8/358				
D507,110 S	7/2005	Hicks et al.					
D511,294 S *	11/2005	Kovacik et al.	D8/358				
D512,910 S *	12/2005	Haslam	D9/434				
7,017,527 B2 *	3/2006	Price	119/794				
7,020,935 B2 *	4/2006	Behn et al.	24/298				
D520,241 S	5/2006	Hicks et al.					
D521,726 S *	5/2006	Tarantino	D3/218				
D523,188 S *	6/2006	Lord	D30/152				
7,056,028 B2	6/2006	Hosoda et al.					
D525,538 S *	7/2006	Oas	D10/40				
D528,800 S *	9/2006	Liu et al.	D3/327				
D530,046 S *	10/2006	Lord	D30/152				
D530,095 S *	10/2006	Herzberg	D3/327				
D532,201 S	11/2006	Esch					
7,150,247 B2 *	12/2006	Eulette et al.	119/798				
D536,173 S	2/2007	Hicks et al.					
D536,364 S	2/2007	Kalbach					
D537,403 S *	2/2007	Villani et al.	D12/400				
7,174,857 B2 *	2/2007	Lord	119/794				
D539,697 S	4/2007	Mackay					
D541,190 S	4/2007	Plzak					

OTHER PUBLICATIONS

“Shockers Eyewear Retainers & Sports Accessories Catalog,” 1989-1999, Newberg, Oregon.

“Shockers Eyewear Retainers & Sports Accessories Catalog,” 1997, Portland, Oregon.

“SnugZ USA Catalog” Jan. 1, 1997.

“SnugZ USA Catalog” Jan. 1, 2000.

CIPI—Products—Neckwear & Wristwear—Lanyards, 1997.

CIPI—Products—Neckwear & Wristwear—Lanyards, Feb. 13, 1998, Website.

CIPI Product Line website visited Dec. 27, 2001.

CWA Lanyards, p. 1, Website, at least as early as Feb. 1999.

EK Ekcessories Catalog@ ASI Promotion Products, Jan. 1999.

EK Ekcessories Catalog@ Aug. 1997.

EK Ekcessories Catalog@ Jan. 1998.

EK Ekcessories Pamphlet@ Industrial and Security, at least as early as Mar. 2002.

EK Ekcessories, Inc. Product Catalog@ Aug. 1993, pp. 16 and 17.

EK Ekcessories, Inc. Product Catalog@ Aug. 1994, pp. 8 and 9.

EK Keycessories Catalog@ at least as early as Mar. 2002.

IRIS Catalog, Lanyards, at least as early as Feb. 1999.

Neon Lanyards . . . Braided nylon lanyards with . . . , 1995-98, Website.

Shockers, 1997, Dealer Price List.

The Logo Shop Catalog, Logo Watch Co., p. 2, 1997, Logan Utah.

XTROS USA@ products flyer. , at least as early as Mar. 2002.

* cited by examiner

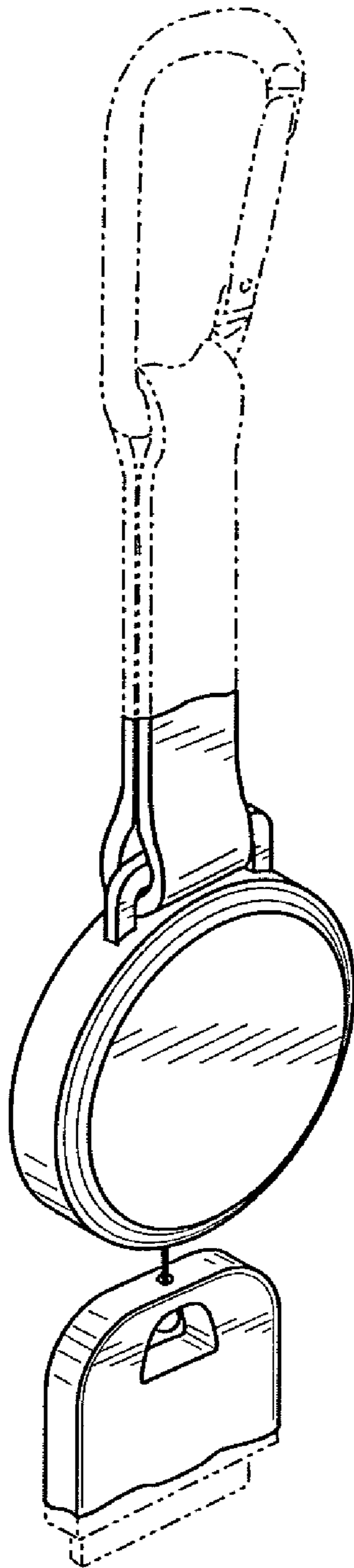


FIG. 1

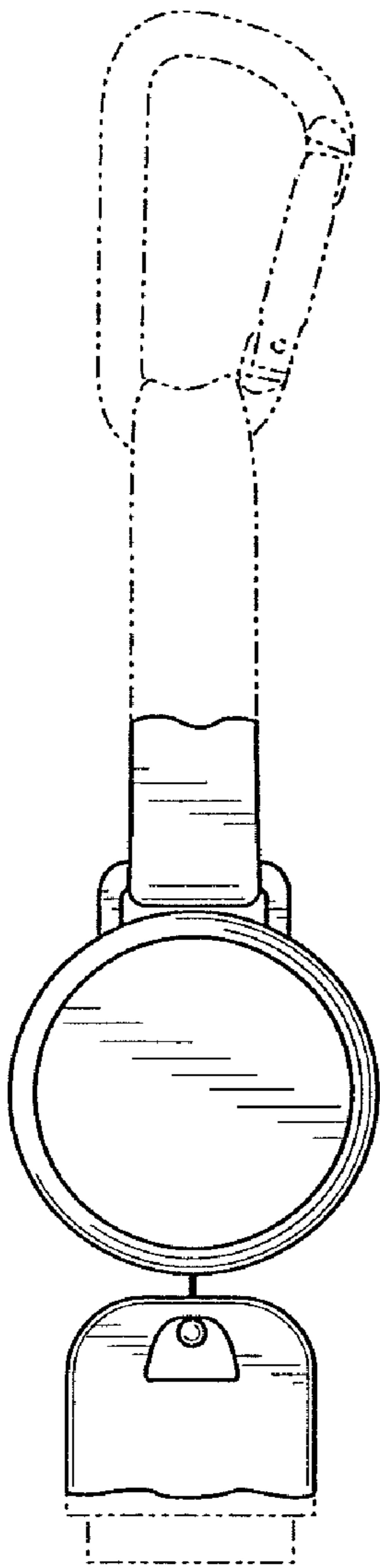


FIG. 2

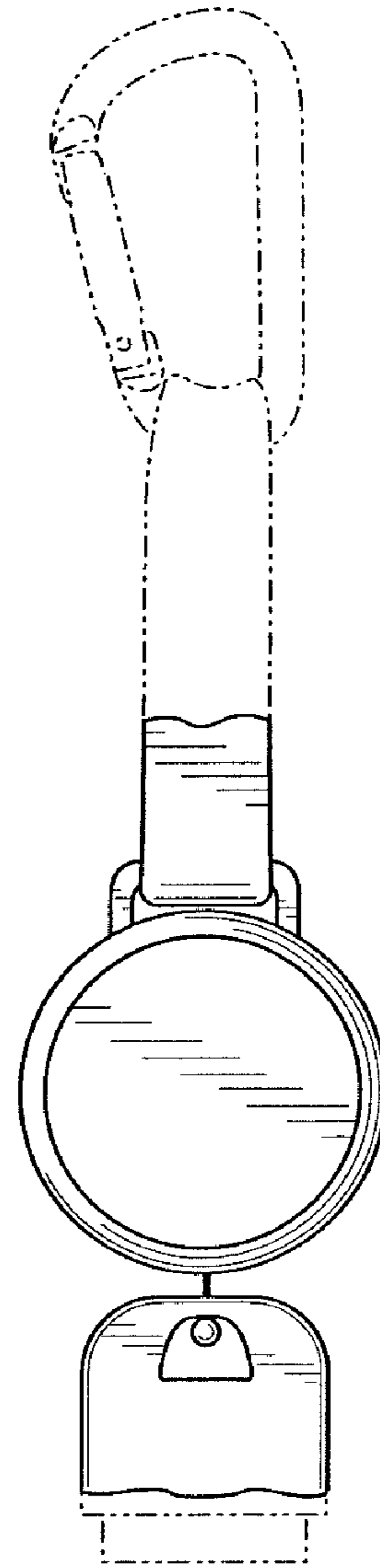


FIG. 3

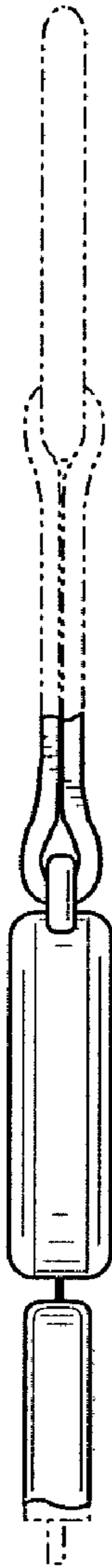


FIG. 4

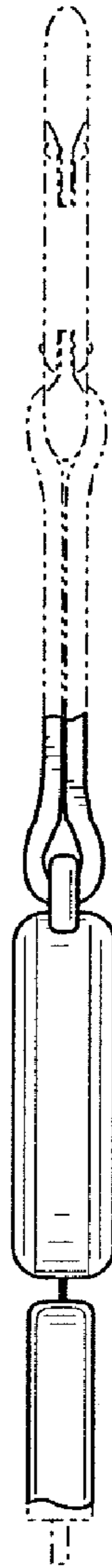


FIG. 5