



US00D676614S

(12) **United States Design Patent**
Fields et al.

(10) **Patent No.:** **US D676,614 S**
(45) **Date of Patent:** **** Feb. 19, 2013**

- (54) **HUMMINGBIRD NECTAR FEEDER**
 - (75) Inventors: **Betsy Fields**, Mill Valley, CA (US);
Bryan Krueger, Denver, CO (US);
Robert Donegan, Sedalia, CO (US)
 - (73) Assignee: **Classic Brands, LLC**, Denver, CO (US)
 - (**) Term: **14 Years**
 - (21) Appl. No.: **29/382,076**
 - (22) Filed: **Dec. 29, 2010**
 - (51) **LOC (9) Cl.** **30-03**
 - (52) **U.S. Cl.** **D30/127**
 - (58) **Field of Classification Search** D30/121,
D30/124-128, 133; 119/51.01, 52.2-52.4,
119/57.8, 57.9, 248, 77; 248/219.1, 222.11,
248/224.7, 229.1, 230.1, 689
- See application file for complete search history.

D132,522 S *	5/1942	Fuerst et al.	D99/5
D140,392 S	2/1945	Haynes	
2,432,632 A	12/1947	Seibel	
D149,729 S	5/1948	Aronek	
2,475,207 A *	7/1949	Smith	119/52.2
2,570,733 A	10/1951	Thomas	
D165,628 S	1/1952	Blazier	
2,641,086 A	6/1953	Stephen	
D174,909 S	6/1955	Kllegberg	
D175,435 S	8/1955	Moffat	
3,050,619 A	8/1962	Abramson	
D194,846 S	3/1963	Perry	
3,089,605 A *	5/1963	Buonauro	215/377
D196,777 S	11/1963	Haynes	
3,125,069 A	3/1964	Fowler	
D200,472 S	3/1965	Chang	
3,244,150 A *	4/1966	Blair	119/52.3
D205,772 S *	9/1966	Blair	D30/128
D214,172 S	5/1969	Troutman	
3,491,724 A	1/1970	Sunner	
3,634,678 A	1/1972	Glass et al.	

(Continued)

OTHER PUBLICATIONS

Notice of Allowance, U.S. Appl. No. 29/382,075, mailed Feb. 1, 2012, 18 pages.

(Continued)

Primary Examiner — Susan Moon Lee
(74) *Attorney, Agent, or Firm* — Polsinelli Shughart PC

(56) **References Cited**

U.S. PATENT DOCUMENTS

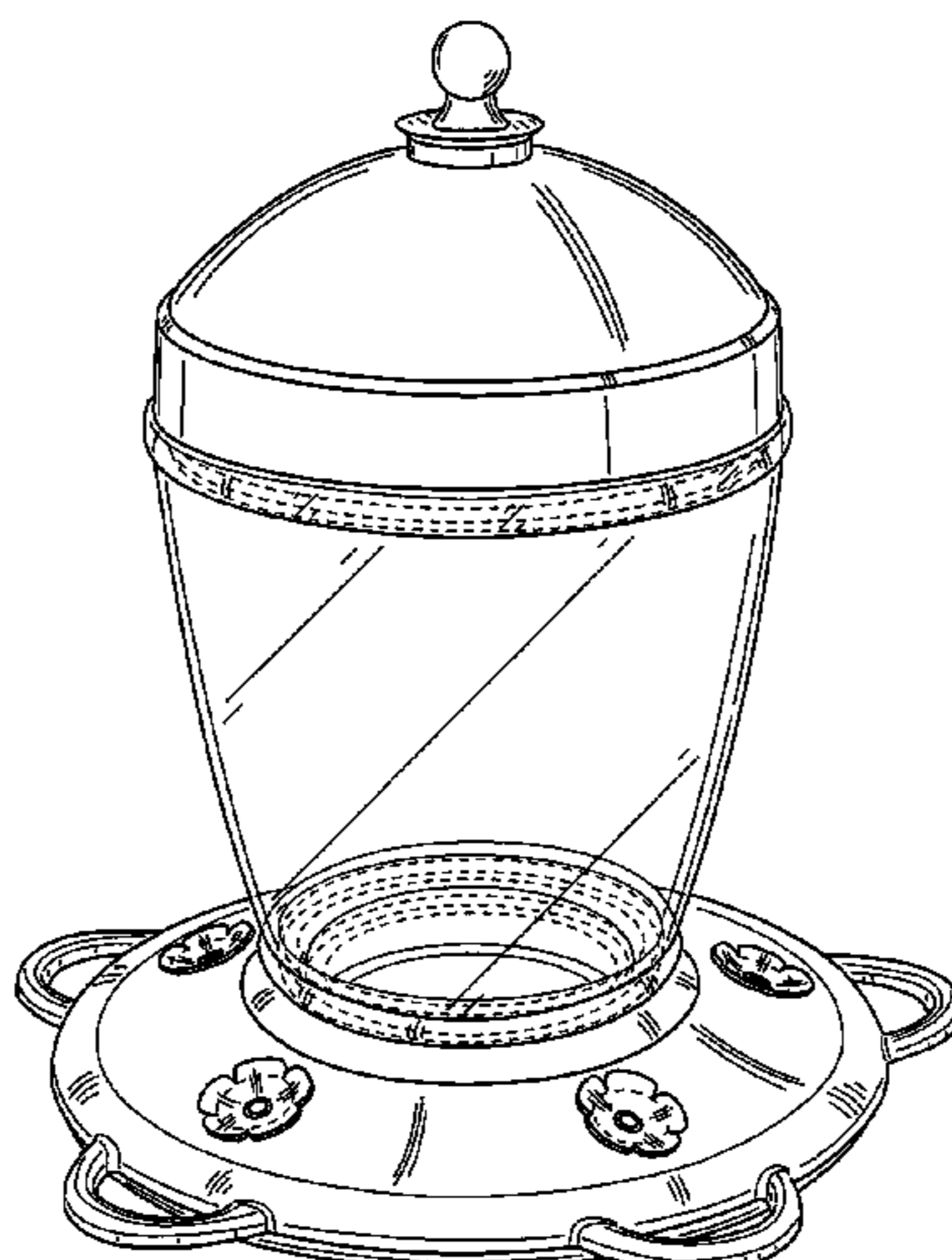
D28,734 S	5/1898	Muller	
721,435 A	2/1903	Fielding	
1,010,543 A	12/1911	Walter et al.	
1,023,240 A *	4/1912	Bowier	119/77
1,091,392 A *	3/1914	Schlichtinger	119/77
1,107,206 A *	8/1914	Schwartzburg	119/77
1,136,092 A *	4/1915	Blumere	119/77
1,181,045 A *	4/1916	Tessier	119/77
1,391,353 A	9/1921	Wells	
1,423,547 A *	7/1922	Strohbach	99/307
D62,916 S	8/1923	Peck	
1,555,407 A	9/1925	Ferris	
1,566,571 A	12/1925	Appleton	
D71,107 S	9/1926	Gorowitz	
D76,001 S	8/1928	Broch	
D84,104 S	5/1931	Rithner	
D95,019 S	4/1935	Cooperstein	
D105,812 S	8/1937	Siekert	
D121,675 S	7/1940	Goldin	
D126,997 S	5/1941	Bentzen et al.	
D130,923 S	12/1941	Philipovich	
2,267,883 A	12/1941	Wood	

(57) **CLAIM**
The ornamental design for a hummingbird nectar feeder, as shown and described.

DESCRIPTION

FIG. 1 is a front perspective view of a hummingbird nectar feeder embodying my new design.
FIG. 2 is a front elevational view thereof.
FIG. 3 is a back view thereof.
FIG. 4 top view thereof; and,
FIG. 5 is a bottom view thereof.
The portions shown in broken line are not claimed.

1 Claim, 5 Drawing Sheets



US D676,614 S

Page 2

U.S. PATENT DOCUMENTS					
D234,615	S *	3/1975	Kilham	D30/125
D236,139	S *	7/1975	Kilham	D30/125
3,901,192	A	8/1975	Adams		
3,913,527	A *	10/1975	Kilham	119/74
3,928,936	A	12/1975	Wollen		
D239,182	S	3/1976	Kilham		
D241,149	S	8/1976	Miller et al.		
D244,786	S *	6/1977	Dryden	D30/128
4,030,451	A	6/1977	Miller		
4,037,361	A	7/1977	Murphy et al.		
D246,294	S	11/1977	Hetherington		
4,082,872	A	4/1978	Hughes		
4,085,706	A	4/1978	Evans		
D252,288	S *	7/1979	Kilham	D30/125
4,369,216	A	1/1983	Willinger		
4,395,015	A	7/1983	Reardon		
D271,434	S	11/1983	Love		
D273,429	S	4/1984	Kilham		
D277,703	S	2/1985	Kilham		
D277,988	S	3/1985	Kilham		
D280,559	S	9/1985	Bentall		
D281,768	S	12/1985	Hansen, Jr.		
4,588,618	A	5/1986	Wolfe		
D285,840	S *	9/1986	Poon	D26/42
D287,652	S	1/1987	Mack		
D288,353	S	2/1987	Smith		
4,691,665	A	9/1987	Hefner		
4,708,892	A	11/1987	Young et al.		
4,789,572	A	12/1988	Weaver		
D304,536	S	11/1989	Blaser		
D309,639	S	7/1990	Knudsen		
D309,640	S	7/1990	Knudsen		
D314,253	S	1/1991	Goetz		
D322,044	S	12/1991	Marsar et al.		
5,083,881	A	1/1992	Yoshinaga		
D326,003	S	5/1992	Embree		
D331,647	S *	12/1992	Embree	D30/124
5,183,005	A *	2/1993	Tyler	119/52.2
5,195,463	A	3/1993	Lorenzana et al.		
D343,030	S *	1/1994	Harwick, Jr.	D30/128
D345,444	S	3/1994	Kestekides-Kesdekoglu		
D347,714	S *	6/1994	Maple et al.	D30/128
D360,710	S *	7/1995	Colwell	D30/121
5,450,816	A	9/1995	Santa Cruz		
D365,411	S	12/1995	Yan		
D368,337	S *	3/1996	Dickinson	D30/127
D368,989	S	4/1996	Prehart		
5,507,249	A	4/1996	Shaw		
5,522,758	A	6/1996	Liu		
D371,401	S	7/1996	Nielsen et al.		
D371,838	S	7/1996	Davis et al.		
5,564,226	A	10/1996	Paramest		
D378,312	S	3/1997	Davis, Jr.		
5,638,638	A	6/1997	Moskowitz		
D382,376	S *	8/1997	Bescherer	D30/124
D386,811	S	11/1997	Milicia		
5,682,835	A	11/1997	Walter		
D387,156	S	12/1997	Johnson		
D388,235	S	12/1997	Wilson et al.		
D392,763	S	3/1998	Denison		
D394,468	S	5/1998	Leadbetter		
D397,529	S	8/1998	Fuller et al.		
5,800,047	A	9/1998	Yang		
5,806,460	A	9/1998	Klein		
5,816,686	A	10/1998	Wang et al.		
5,823,135	A *	10/1998	Gilchrist et al.	119/52.2
5,845,605	A	12/1998	Malamphy		
5,848,493	A	12/1998	Gasper		
5,899,555	A	5/1999	Lin		
D412,226	S	7/1999	Bellehumer		
5,947,054	A *	9/1999	Liethen	119/57.9
D417,528	S *	12/1999	Rizzo	D30/121
6,012,414	A	1/2000	Klein		
D421,643	S	3/2000	Mauk		
D433,747	S	11/2000	Frampton		
D438,360	S *	2/2001	Robinson	D99/5
D440,002	S *	4/2001	Miranda	D26/87
D440,677	S *	4/2001	Long et al.	D26/40
D443,711	S	6/2001	Lindsay		
D445,525	S *	7/2001	Pan	D26/72
D445,533	S	7/2001	Arnoldo		
D445,939	S *	7/2001	Pan	D26/72
D450,786	S	11/2001	Jenkins et al.		
D451,997	S	12/2001	Schwartz		
D454,192	S	3/2002	Frampton		
D454,636	S	3/2002	Lantz		
D454,669	S *	3/2002	Lieb	D30/125
D459,824	S	7/2002	Leen		
6,439,158	B1	8/2002	Blohm		
6,499,430	B2	12/2002	Garcia-Lucio et al.		
D470,621	S	2/2003	Cheng		
D473,739	S *	4/2003	Lenger	D6/503
D476,755	S	7/2003	LoVullo et al.		
D479,595	S	9/2003	Curtin		
D479,596	S	9/2003	Curtin		
D479,597	S	9/2003	Curtin		
D480,135	S	9/2003	Frampton		
D480,802	S	10/2003	Frampton		
D480,803	S	10/2003	Frampton		
D482,736	S	11/2003	Manville		
D483,529	S *	12/2003	Fort, II	D30/124
D483,858	S	12/2003	Lin		
D485,208	S	1/2004	Fan		
D485,345	S	1/2004	Bucher		
D485,350	S	1/2004	Frampton		
D485,351	S	1/2004	Frampton		
D485,387	S *	1/2004	Harbaugh	D26/67
D485,928	S *	1/2004	Leung et al.	D26/40
6,672,249	B2	1/2004	Garcia-Lucio et al.		
D488,195	S	4/2004	Manville		
D488,219	S	4/2004	Frampton		
D489,128	S	4/2004	Frampton		
6,733,151	B2	5/2004	Shu		
D490,745	S	6/2004	Fan		
D491,657	S	6/2004	Cartwright		
6,776,511	B1	8/2004	Lindsay		
D495,839	S *	9/2004	Muday et al.	D30/160
D502,293	S	2/2005	Harger		
D502,294	S	2/2005	Hung		
6,860,229	B1	3/2005	Craft		
6,861,108	B1	3/2005	Potoroka, Sr.		
6,890,155	B2	5/2005	Cartwright		
D506,826	S	6/2005	Frampton		
D510,992	S	10/2005	Bucher		
D514,749	S *	2/2006	Fort et al.	D30/124
D516,712	S	3/2006	Pickett		
7,040,251	B2 *	5/2006	Fort, II	119/57.8
D523,955	S	6/2006	Badarello		
D524,490	S *	7/2006	Obenshain	D30/127
D525,903	S	8/2006	Weiser et al.		
D529,220	S *	9/2006	Izardel	D26/94
D530,457	S *	10/2006	Jung et al.	D30/127
D532,132	S *	11/2006	Holsinger et al.	D26/40
D536,838	S	2/2007	Colvin et al.		
D538,485	S	3/2007	Degironne		
D541,466	S	4/2007	Bucher et al.		
D542,479	S *	5/2007	O'Dell	D30/124
D543,665	S	5/2007	Hewitt et al.		
7,234,418	B2 *	6/2007	Fort et al.	119/72
D545,984	S *	7/2007	Leung et al.	D26/40
D546,991	S *	7/2007	Poon	D26/40
D548,321	S	8/2007	Orozco		
D554,252	S	10/2007	Bucher et al.		
D559,472	S	1/2008	Abinanti et al.		
D563,608	S	3/2008	Kitchen		
D563,616	S	3/2008	Lynde et al.		
D565,173	S	3/2008	Bucher et al.		
D569,301	S	5/2008	Fotherby		
7,396,212	B1	7/2008	Parker et al.		
D575,864	S	8/2008	Parker et al.		
7,448,347	B2	11/2008	Richmond		
D584,387	S	1/2009	Lee et al.		
D585,625	S *	1/2009	Gray	D99/5
D588,756	S	3/2009	Colvin et al.		
D593,649	S	6/2009	Marvell		
D595,525	S	7/2009	Dimond		
D597,197	S	7/2009	Parker et al.		

US D676,614 S

Page 3

D600,861 S 9/2009 Sin
D601,309 S 9/2009 Babal
7,600,487 B2* 10/2009 Stone et al. 119/72
D604,436 S * 11/2009 Poon D26/40
D606,708 S * 12/2009 McMullen D30/127
D606,709 S * 12/2009 McMullen D30/127
D606,878 S 12/2009 Lindfors
D609,329 S 2/2010 Parker et al.
D612,549 S * 3/2010 Garcia-Lucio et al. D30/128
7,685,969 B2 3/2010 Stone et al.
D614,825 S * 4/2010 Biegel D99/5
D615,310 S 5/2010 Cybulski
D620,172 S 7/2010 Orozco
D623,806 S 9/2010 Modi et al.
7,789,040 B2 9/2010 Liethen
D627,457 S 11/2010 Klausning et al.
D629,137 S 12/2010 Chen
D630,969 S 1/2011 Mattis
7,861,671 B2* 1/2011 Carter et al. 119/72
D633,659 S * 3/2011 Lai D30/121
D636,539 S 4/2011 Montoya
D636,946 S 4/2011 Able
7,946,249 B2* 5/2011 Colvin et al. 119/78
D641,516 S 7/2011 Chen
8,011,323 B2* 9/2011 Vaughn et al. 119/72
8,051,803 B2* 11/2011 Gauker et al. 119/81
D650,514 S 12/2011 Lin et al.
D652,972 S * 1/2012 Lee D26/41
D653,011 S * 1/2012 Myers D99/5
D656,279 S * 3/2012 Tu D30/127
D661,434 S 6/2012 Fields et al.
2004/0010971 A1 1/2004 Redfield et al.
2004/0118354 A1 6/2004 Cox et al.
2004/0134437 A1* 7/2004 Fort, II 119/57.8
2005/0127074 A1 6/2005 Kusuma et al.
2006/0005774 A1 1/2006 Newman et al.
2006/0065202 A1* 3/2006 Fort et al. 119/72
2006/0090707 A1* 5/2006 Donegan 119/72
2008/0035068 A1* 2/2008 Gou 119/72
2008/0257273 A1* 10/2008 Carter et al. 119/72
2009/0078211 A1* 3/2009 Charlton 119/77
2009/0145875 A1* 6/2009 Gardner 215/228
2009/0308321 A1 12/2009 Szczygiel-Durante

2009/0320765 A1 12/2009 Gauker et al.
2010/0024738 A1 2/2010 Chen et al.
2010/0224132 A1 9/2010 Gauker et al.
2011/0011345 A1 1/2011 LoRocco et al.
2011/0297095 A1* 12/2011 Cruz et al. 119/80

OTHER PUBLICATIONS

Restriction Requirement, U.S. Appl. No. 29/416,890 mailed Aug. 2, 2012, 5 pages.
Ex Parte Quayle Action, U.S. Appl. No. 29/416,885, mailed Aug. 2, 2012, 11 pages.
Response to Restriction Requirement, U.S. Appl. No. 29/416,890, filed Sep. 4, 2012, 13 pages.
Duncraft, Inc., JB's Hummingbird Feeder, (date unknown) located at <http://www.duncraft.com/JBS-Hummingbird-Feeder>, 3 pages; offered for sale no later than Mar. 27, 2012.
Duncraft, Inc., Jewel Hummingbird Feeder, (date unknown) located at <http://www.duncraft.com/Jewel-Cut-Hummingbird-Feeder>, 2 pages, offered for sale no later than Mar. 27, 2012.
Duncraft, Inc., Lantern Hummingbird Feeder, (date unknown) located at http://www.duncraft.com/index/page/product/product_id/1326/product_name/Lantern+Hummingbird+Feeder, 2 pages, offered for sale no later than Mar. 27, 2012.
Duncraft, Inc., Deluxe Hummer Feeder, (date unknown) located at http://www.duncraft.com/index/page/product/product_id/1020/product_name/Deluxe+Hummer+Feeder, 2 pages, offered for sale no later than Mar. 27, 2012.
Duncraft, Inc., Four Flower Frolic Feeder Set, (date unknown) located at <http://www.duncraft.com/Four-Flower-Frolic-Hummingbird-Feeder-Set>, 2 pages, offered for sale no later than Mar. 27, 2012.
Duncraft, Inc., Hollyhock Hummingbird Feeder, (date unknown) located at <http://www.duncraft.com/Hollyhock-Hummingbird-Feeder>, 2 pages, offered for sale no later than Mar. 27, 2012.
U.S. Appl. No. 29/382,075, filed Dec. 29, 2010, Fields et al.
U.S. Appl. No. 29/387,518, filed Mar. 14, 2011, Krueger et al.
U.S. Appl. No. 29/416,890, filed Mar. 28, 2012, Krueger.
U.S. Appl. No. 29/416,885, Mar. 28, 2012, Krueger.

* cited by examiner

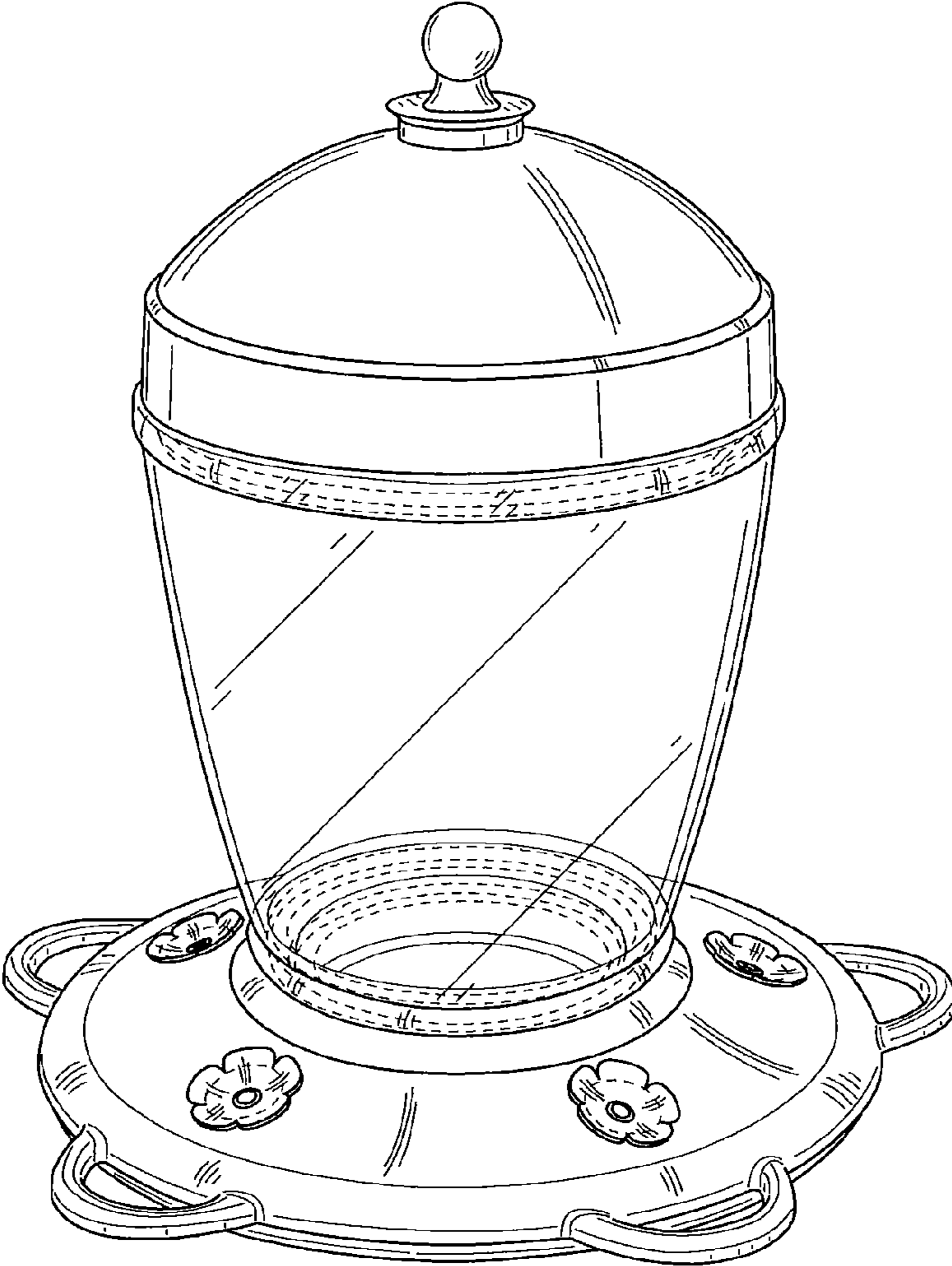


FIG.1

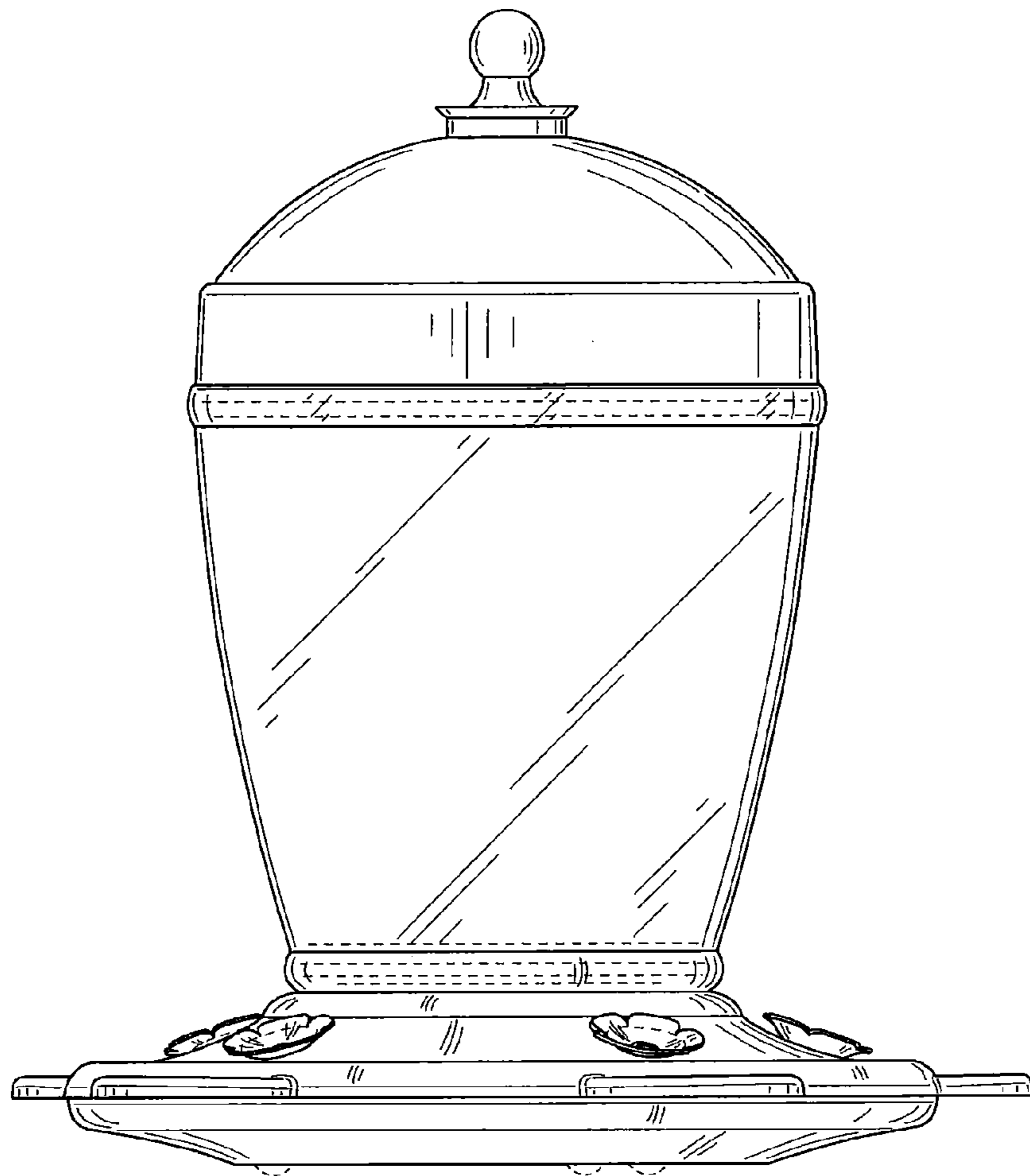


FIG. 2

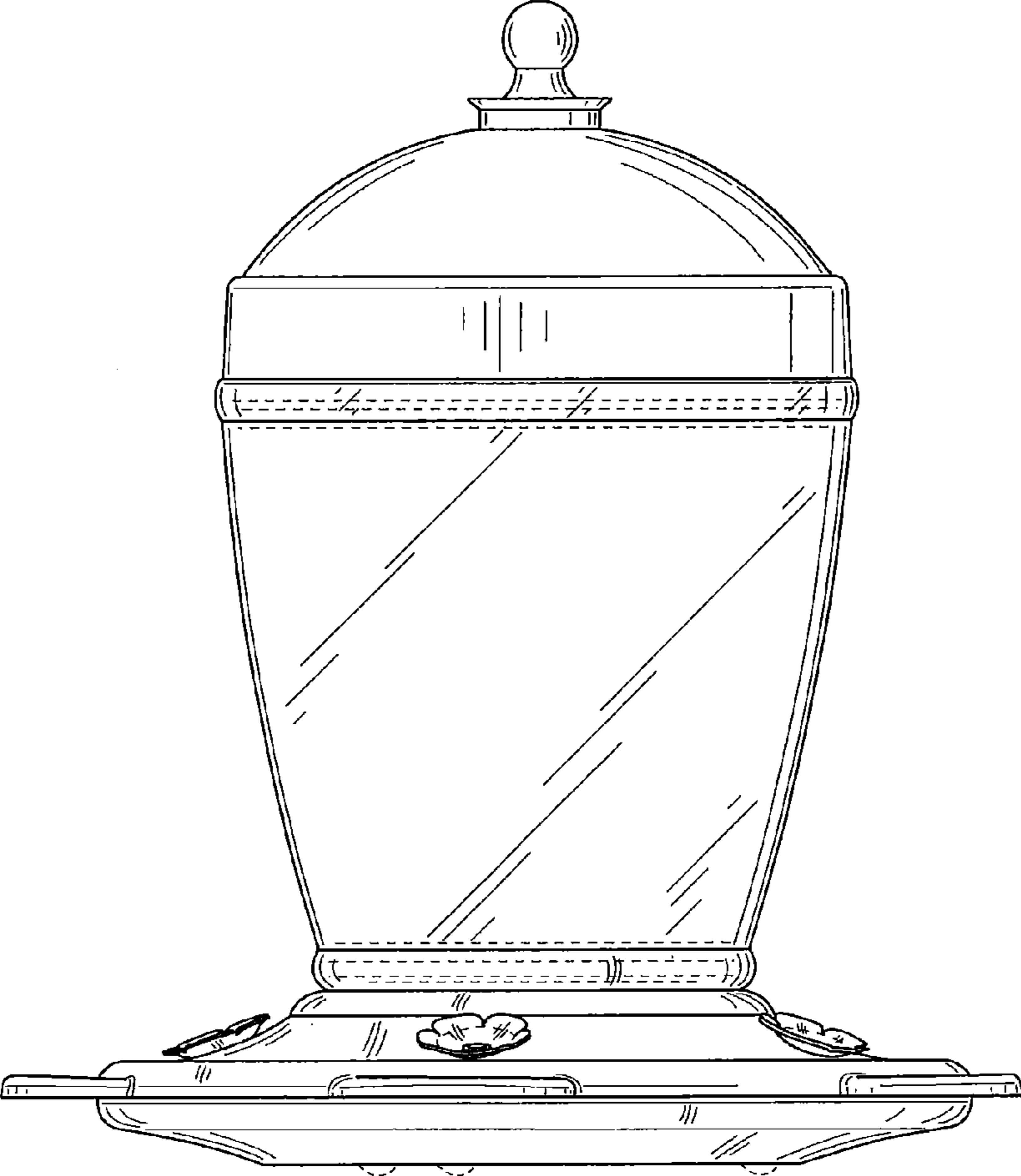


FIG.3

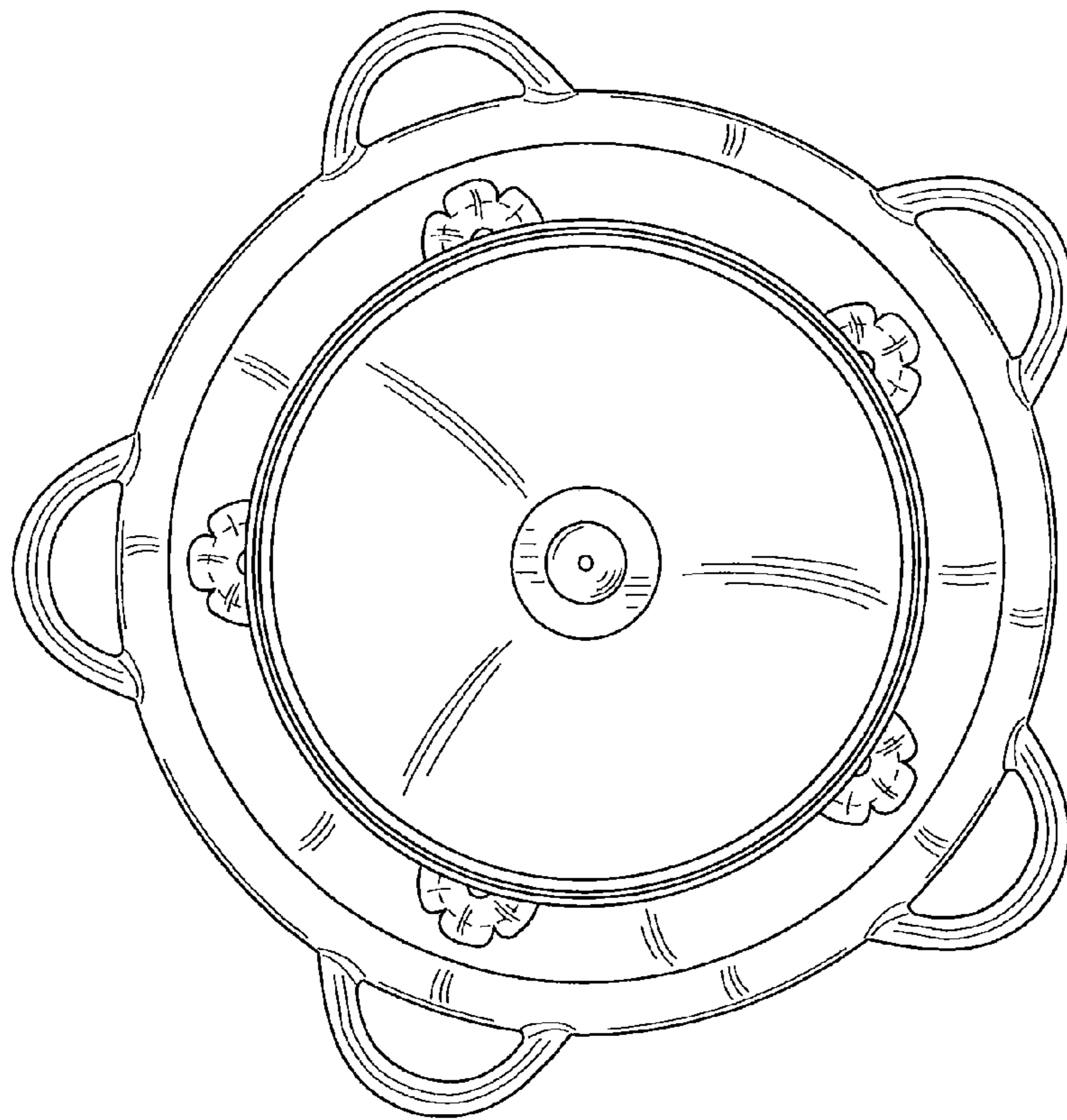


FIG.4

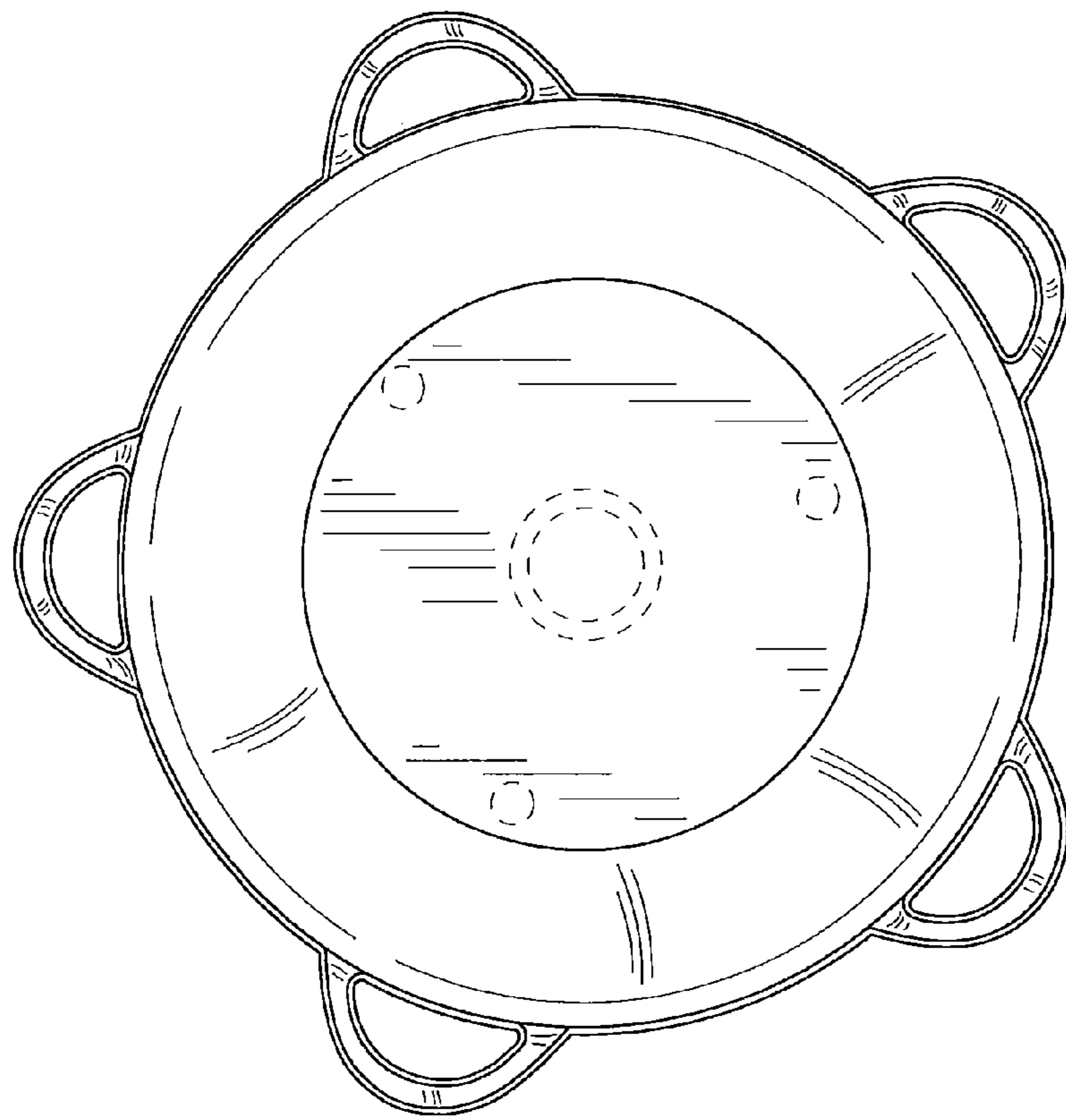


FIG.5