



US00D676612S

(12) **United States Design Patent**
Wygle

(10) **Patent No.:** **US D676,612 S**

(45) **Date of Patent:** **** Feb. 19, 2013**

(54) **COMBINATION PET BED AND BOWL SUPPORT**

(76) Inventor: **Courtney A. Wygle**, Seminole, FL (US)

(**) Term: **14 Years**

(21) Appl. No.: **29/405,090**

(22) Filed: **Oct. 28, 2011**

(51) **LOC (9) Cl.** **30-06**

(52) **U.S. Cl.** **D30/118; D30/130**

(58) **Field of Classification Search** **D30/118,**
D30/129, 130, 199; 119/28.5, 453; D6/361,
D6/382, 601, 605

See application file for complete search history.

(56) **References Cited**

U.S. PATENT DOCUMENTS

D163,603	S	6/1951	Herbert	
2,659,345	A	11/1953	Herbert	
3,121,419	A	2/1964	Gillespie	
3,232,270	A *	2/1966	Sweeney, Jr.	119/28.5
3,924,572	A *	12/1975	Classe et al.	119/453
D257,692	S	12/1980	Thayer	
D259,144	S *	5/1981	Carlin	D30/120
4,335,679	A *	6/1982	Carlin	119/165
D289,570	S	4/1987	Hageney	
D349,787	S	8/1994	McMahon	
D432,739	S *	10/2000	Aloisi	D30/118
D454,989	S *	3/2002	McLaughlin	D30/118
D455,239	S *	4/2002	McLaughlin	D30/118
D506,294	S	6/2005	Boje	
D533,687	S *	12/2006	Bull	D30/118
D561,407	S	2/2008	Dixon	
7,444,958	B2 *	11/2008	Quinn	119/28.5
D612,106	S *	3/2010	Tai	D30/118
D622,013	S	8/2010	Aho	
D622,913	S	8/2010	Schroeder et al.	
D633,256	S *	2/2011	Lewis et al.	D30/118
2003/0019434	A1 *	1/2003	Spires et al.	119/28.5

* cited by examiner

Primary Examiner — Cathy A MacCormac

(74) *Attorney, Agent, or Firm* — QuickPatents; Kevin Prince

(57) **CLAIM**

I claim the ornamental design for a combination pet bed and bowl support, as shown and described.

DESCRIPTION

FIG. 1 is an exploded perspective view of a combination pet bed and bowl support, showing a first embodiment of my new design;

FIG. 2 is a perspective view thereof;

FIG. 3 is a left-side elevational view of FIG. 2, the right-side elevational view being a mirror image thereof;

FIG. 4 is a front elevational view of FIG. 2;

FIG. 5 is a rear elevational view of FIG. 2;

FIG. 6 is a top plan view of FIG. 2;

FIG. 7 is a bottom plan view of FIG. 2;

FIG. 8 is an exploded perspective view of a second embodiment thereof;

FIG. 9 is a perspective view of FIG. 8;

FIG. 10 is a left-side elevational view of FIG. 9, the right-side elevational view being a mirror image thereof;

FIG. 11 is a front elevational view of FIG. 9;

FIG. 12 is a rear elevational view of FIG. 9;

FIG. 13 is a top plan view of FIG. 9;

FIG. 14 is a bottom plan view of FIG. 9;

FIG. 15 is an exploded perspective view of a third embodiment thereof;

FIG. 16 is a perspective view of FIG. 15;

FIG. 17 is a left-side elevational view of FIG. 16, the right-side elevational view being a mirror image thereof;

FIG. 18 is a front elevational view of FIG. 16;

FIG. 19 is a rear elevational view of FIG. 16;

FIG. 20 is a top plan view of FIG. 16;

FIG. 21 is a bottom plan view of FIG. 16;

FIG. 22 is an exploded perspective view of a fourth embodiment thereof;

FIG. 23 is a perspective view of FIG. 22;

FIG. 24 is a left-side elevational view of FIG. 23, the right-side elevational view being a mirror image thereof;

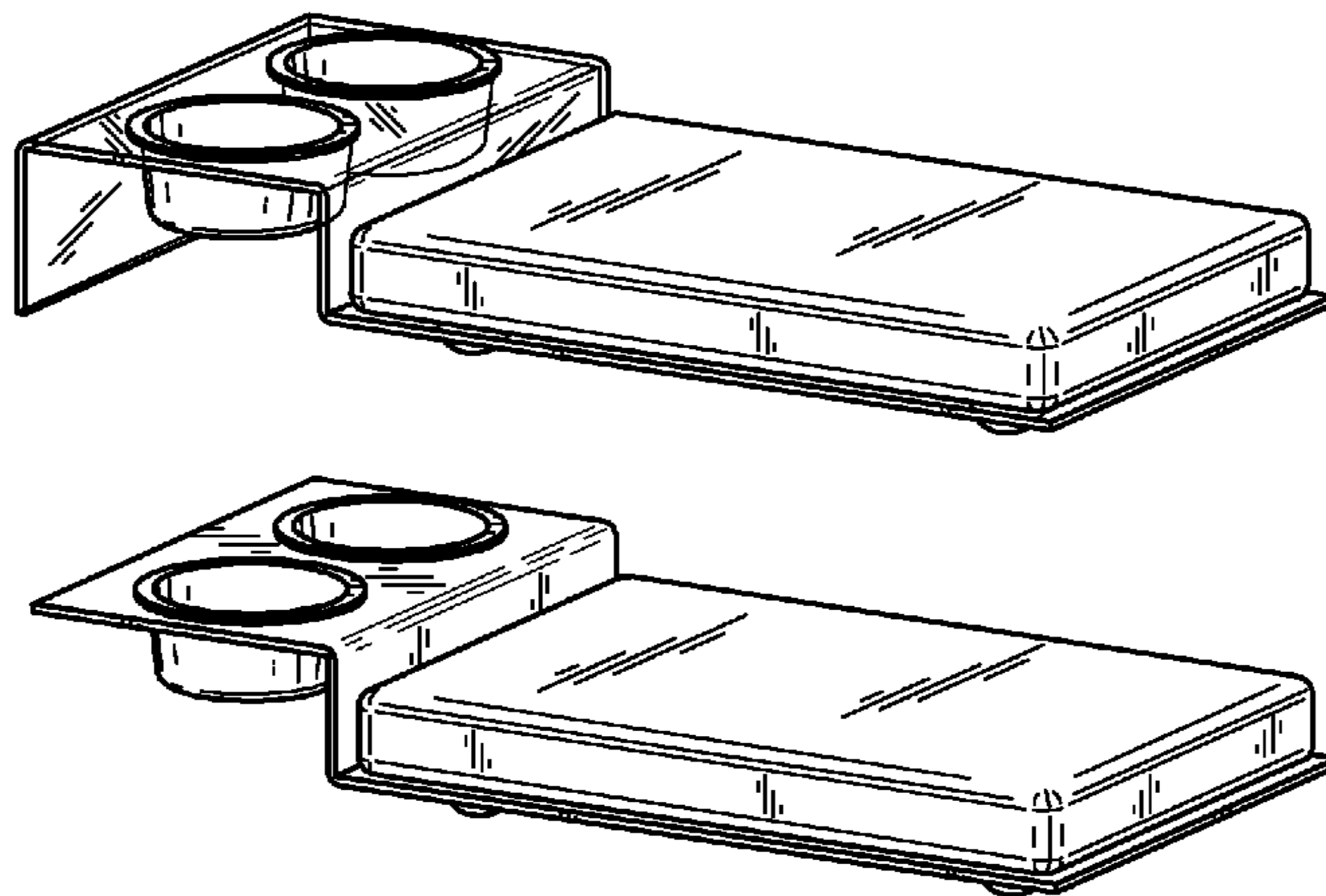
FIG. 25 is a front elevational view of FIG. 23;

FIG. 26 is a rear elevational view of FIG. 23;

FIG. 27 is a top plan view of FIG. 23; and,

FIG. 28 is a bottom plan view of FIG. 23.

1 Claim, 6 Drawing Sheets



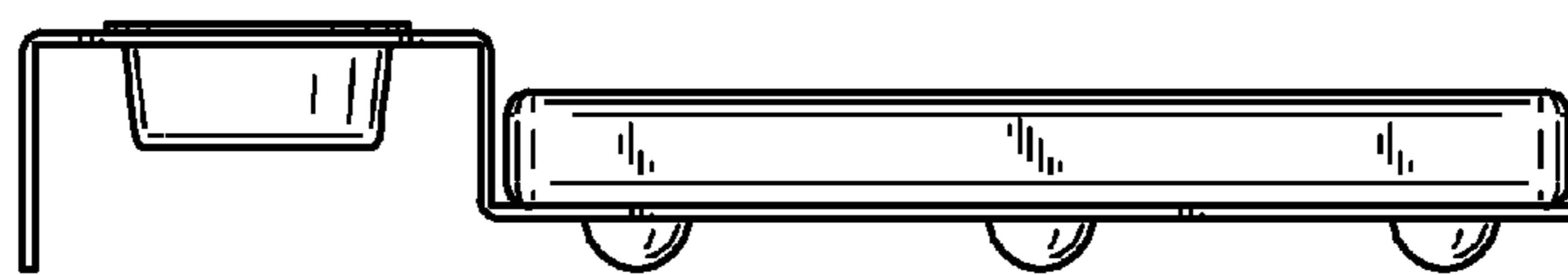
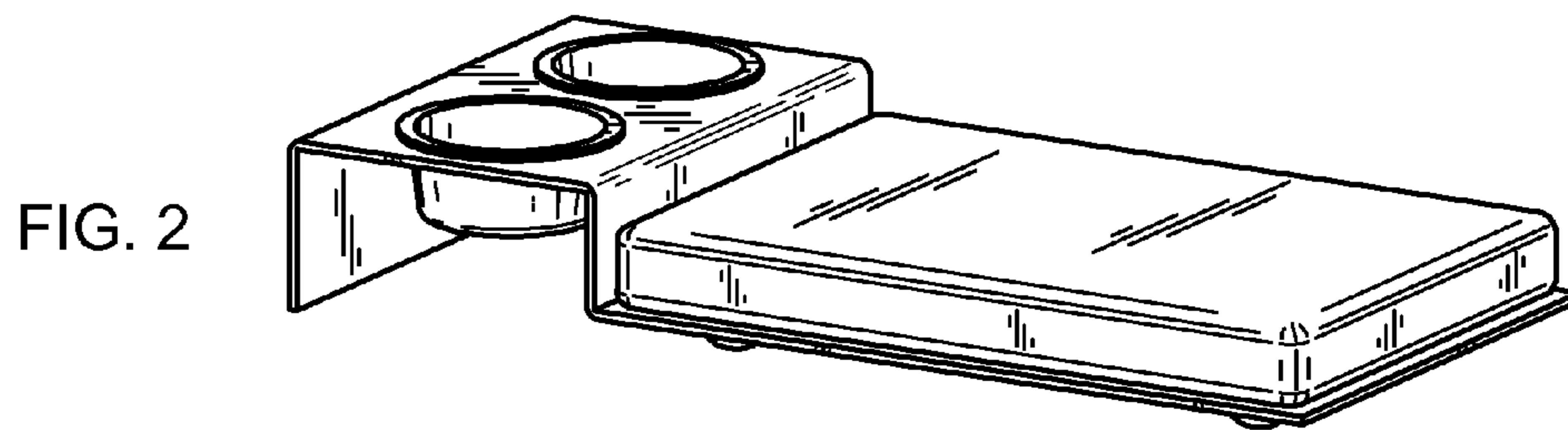
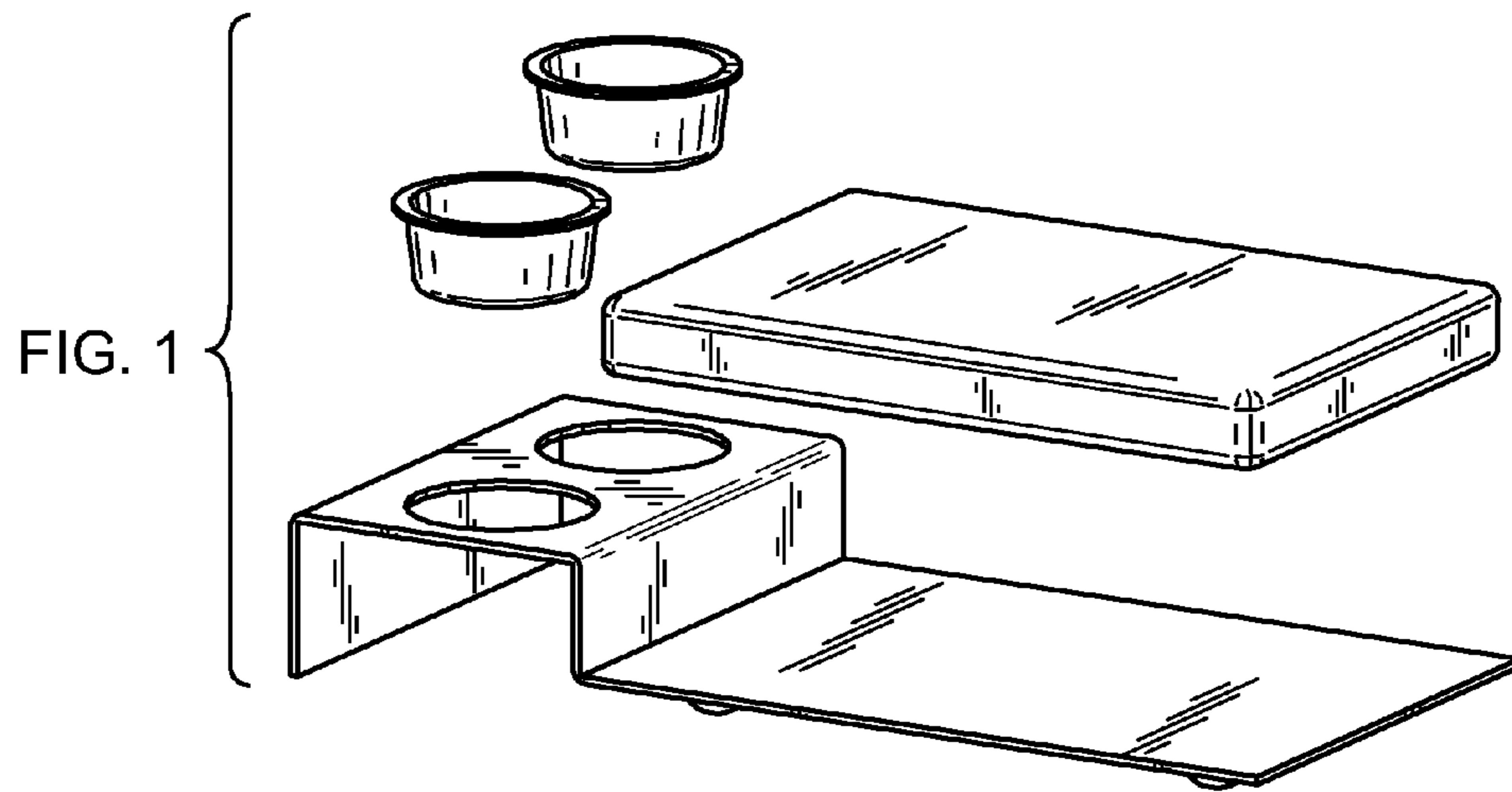


FIG. 3

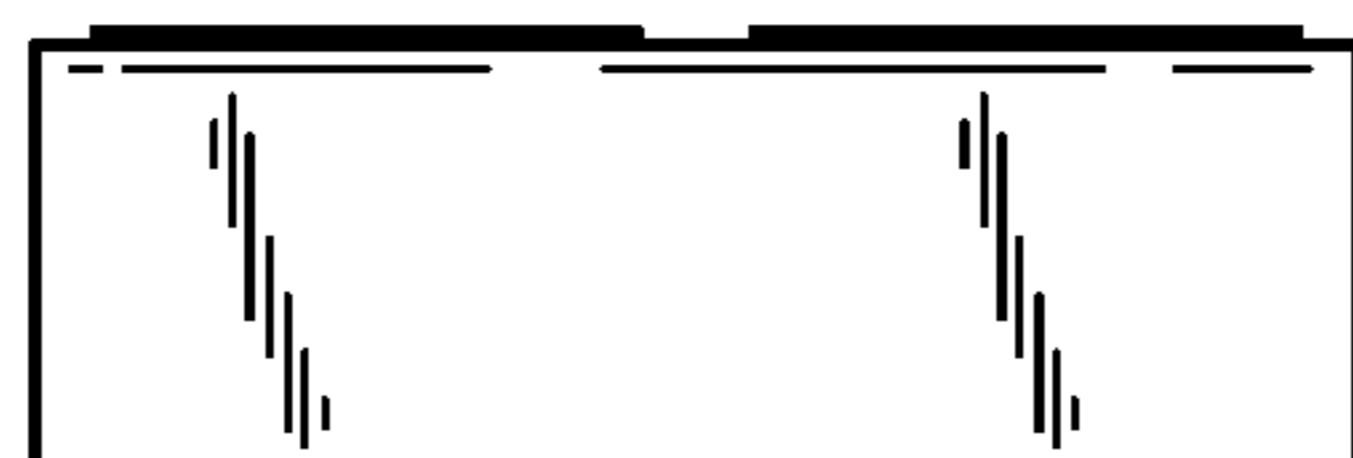


FIG. 4



FIG. 5

FIG. 6

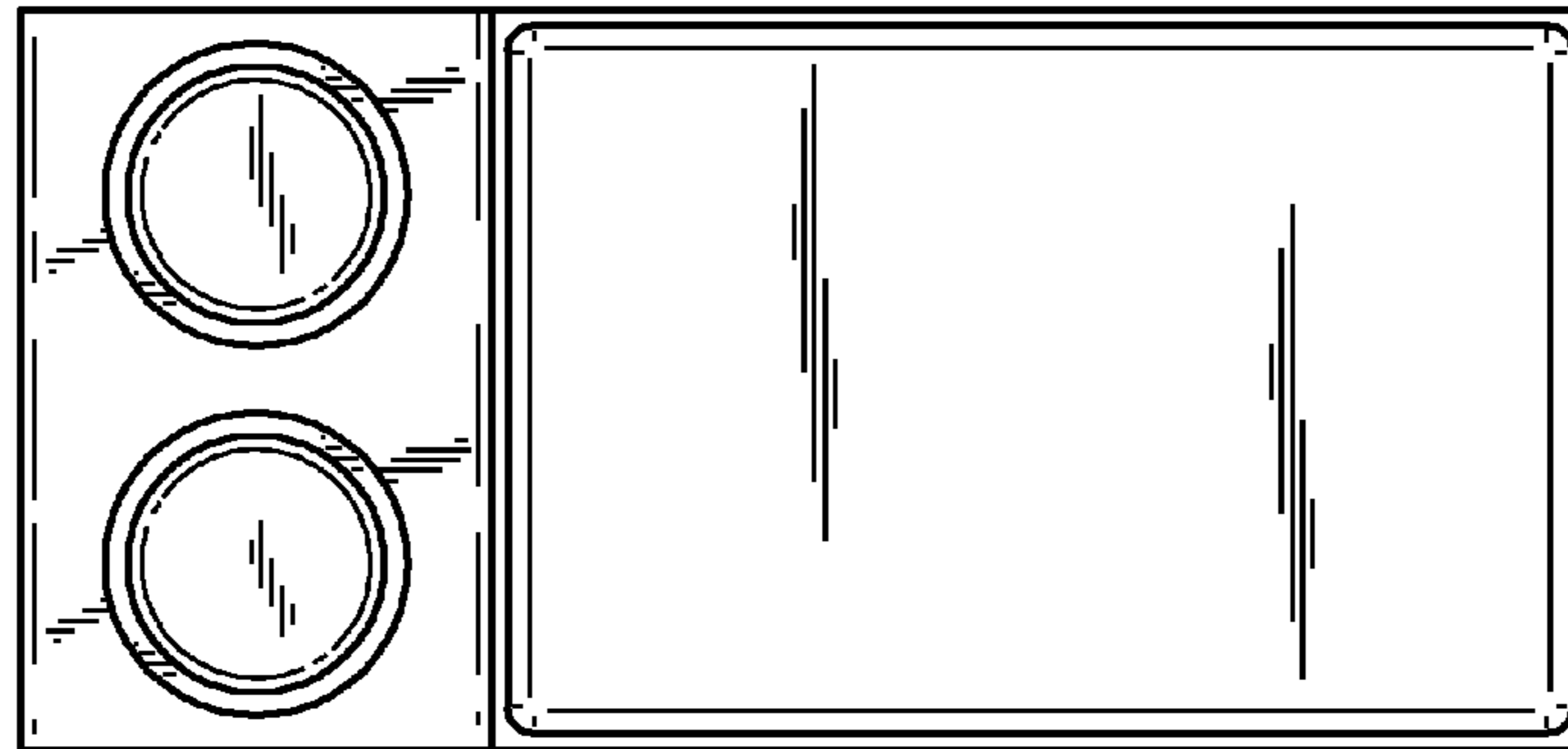


FIG. 7

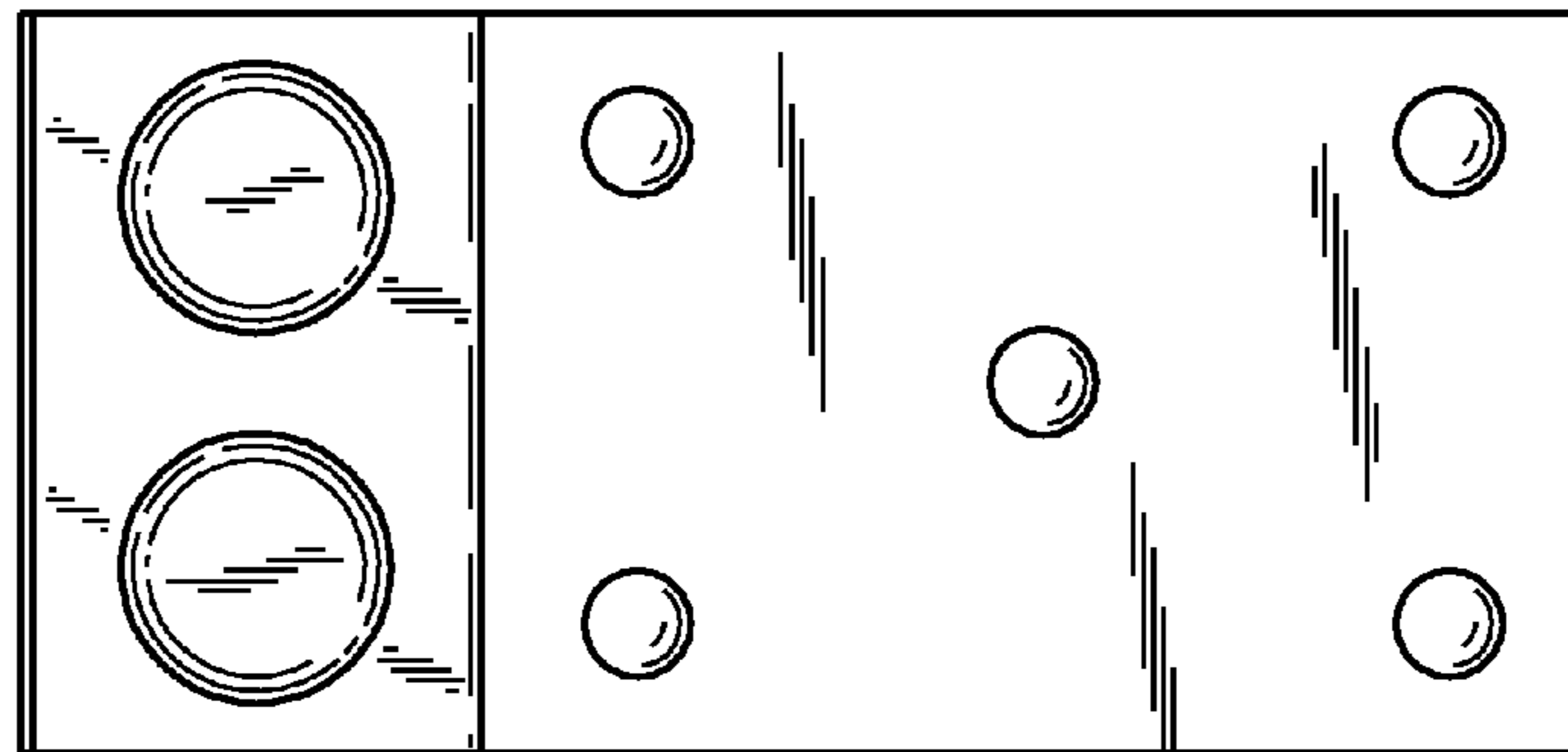
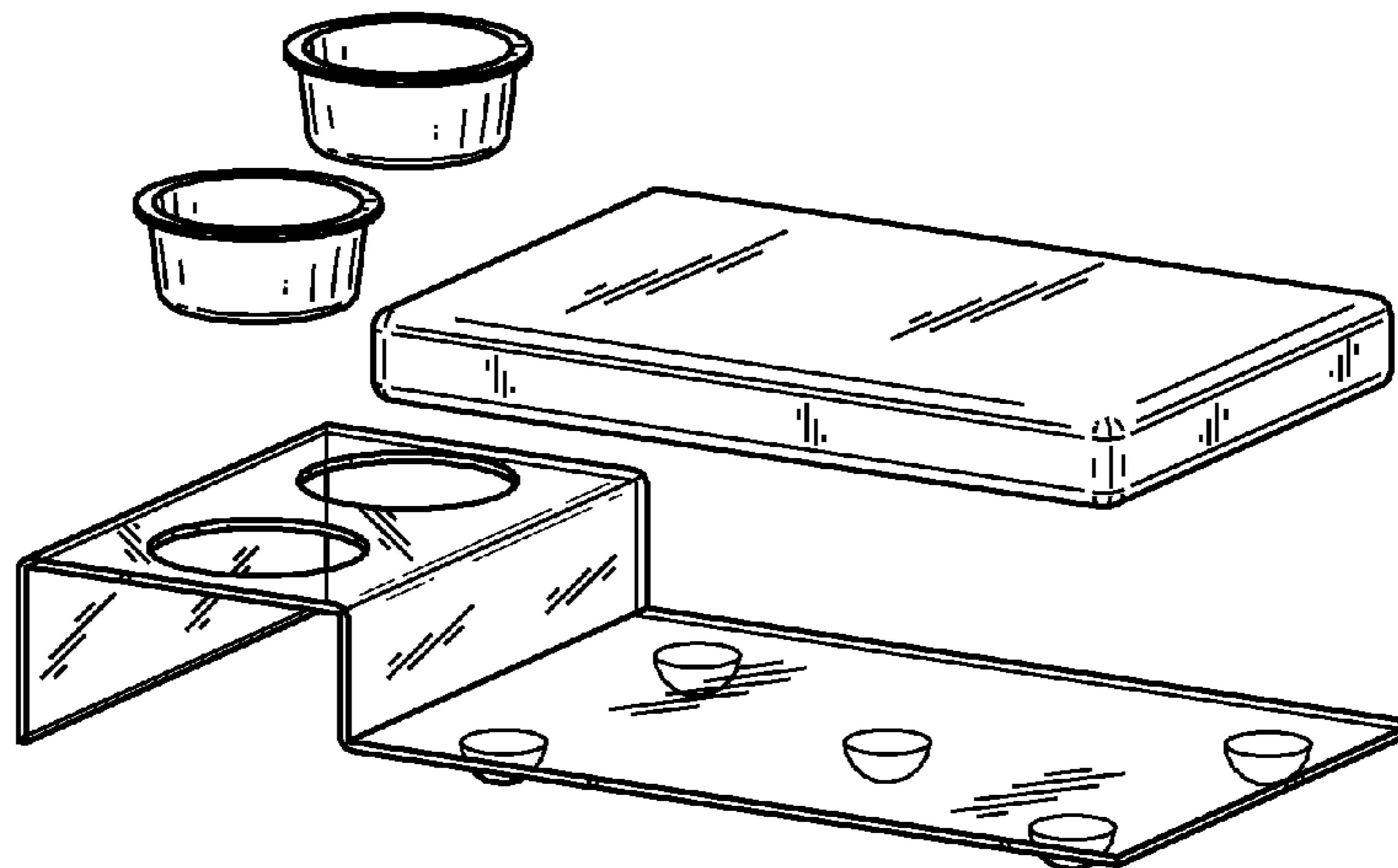


FIG. 8



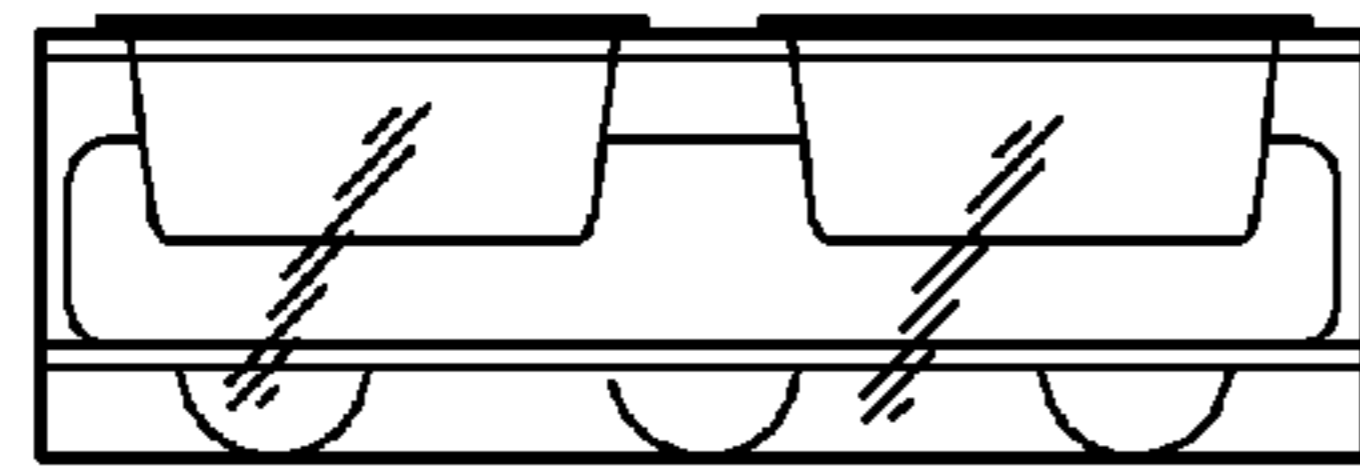
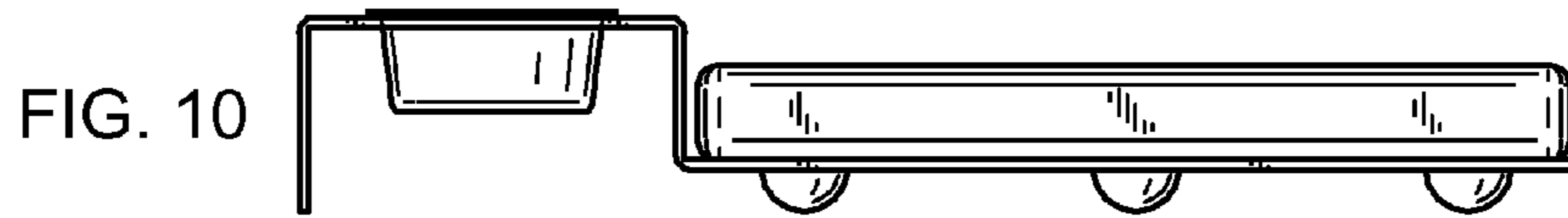
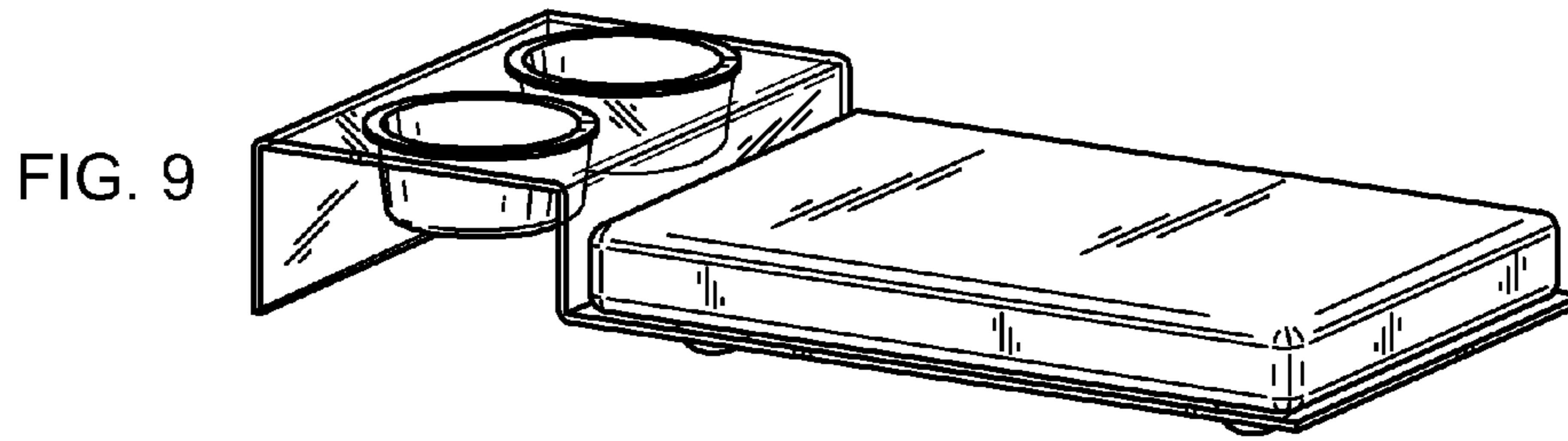


FIG. 11

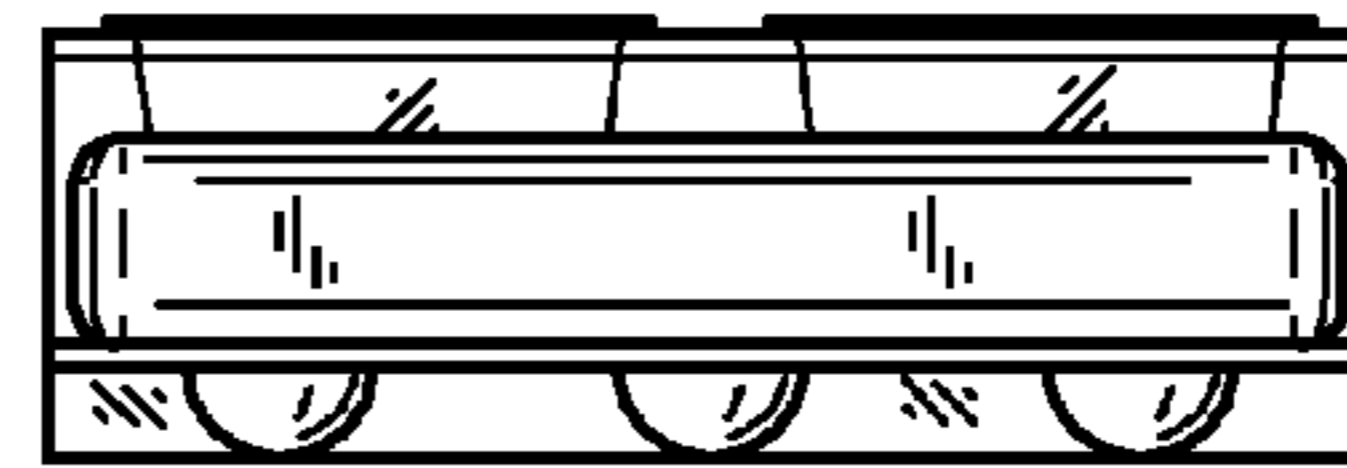
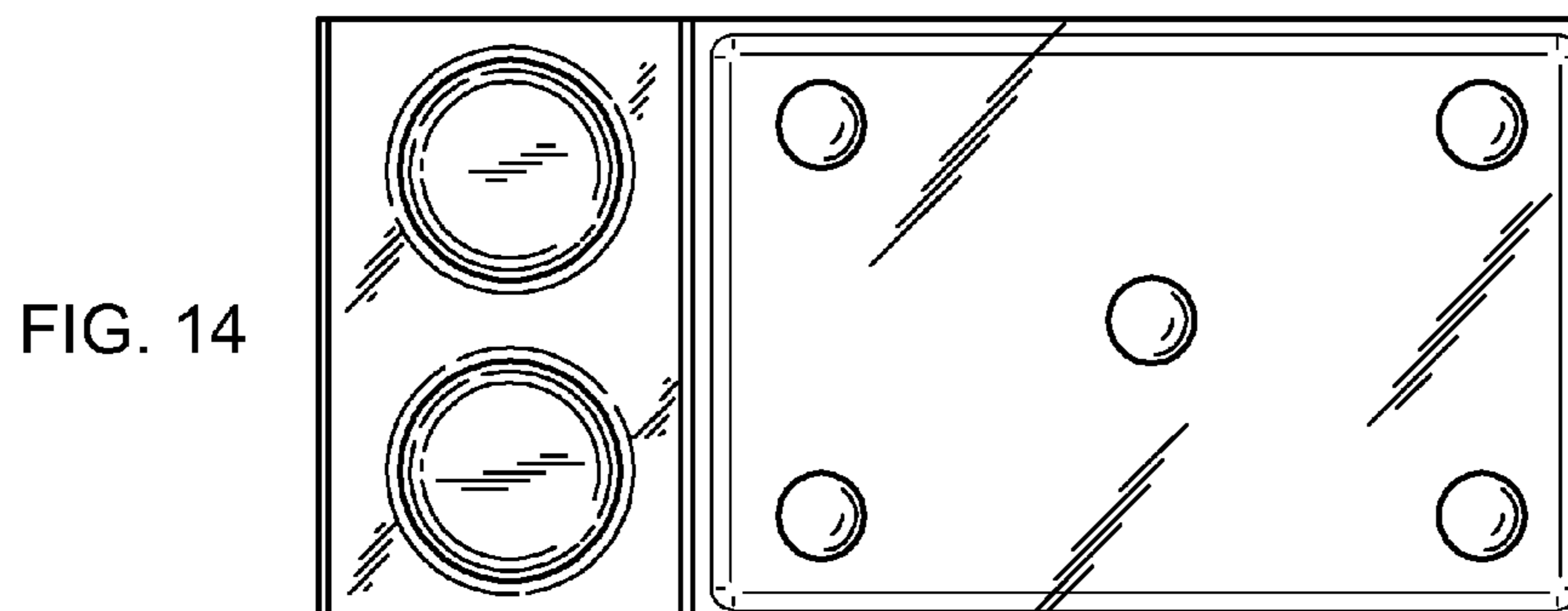
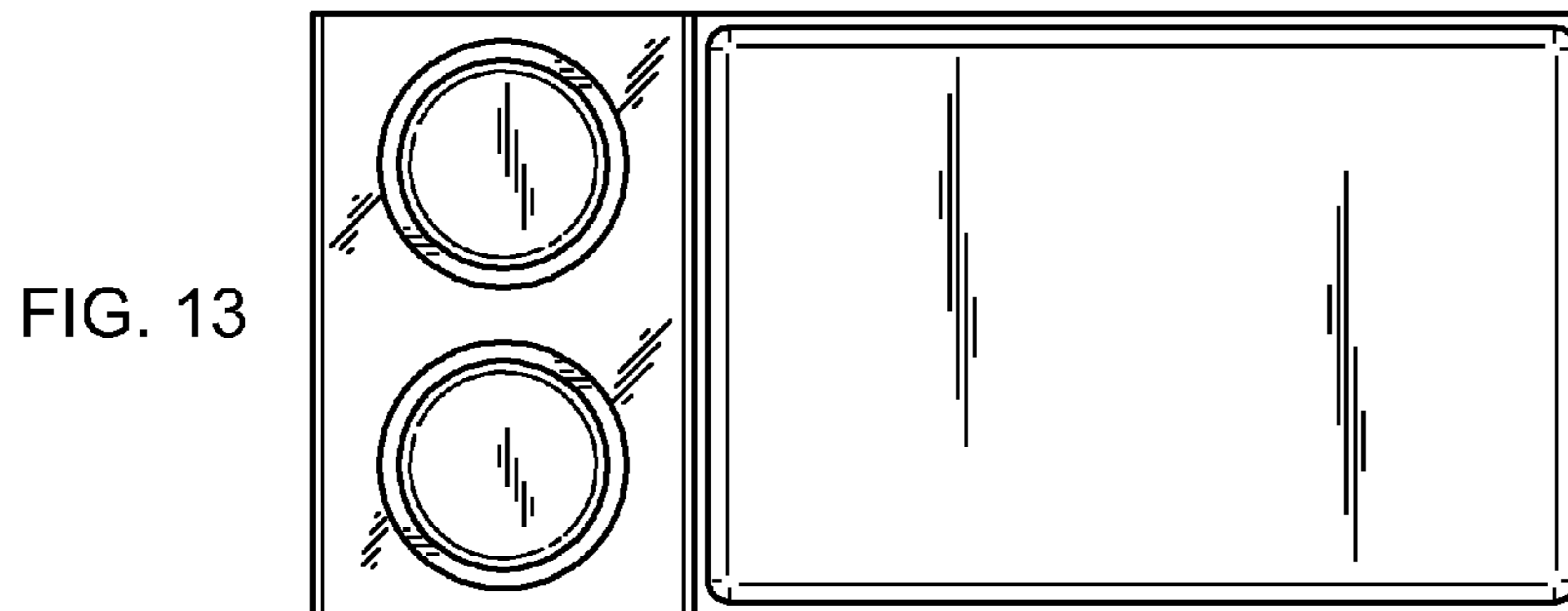


FIG. 12



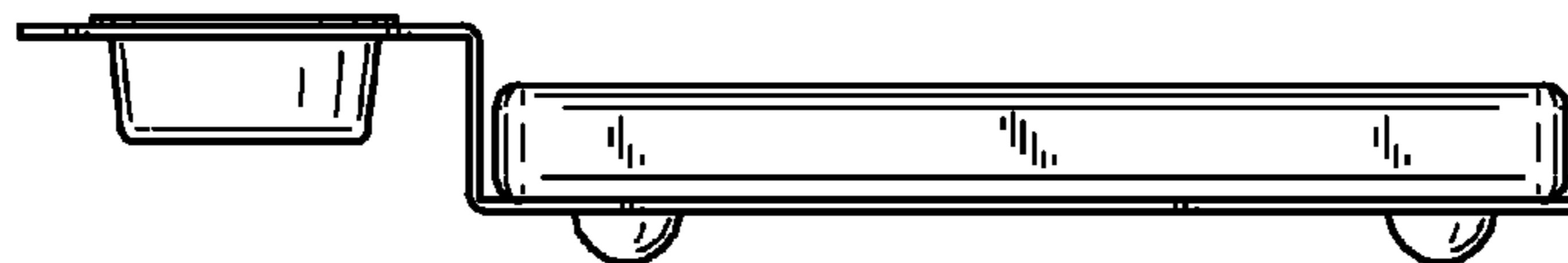
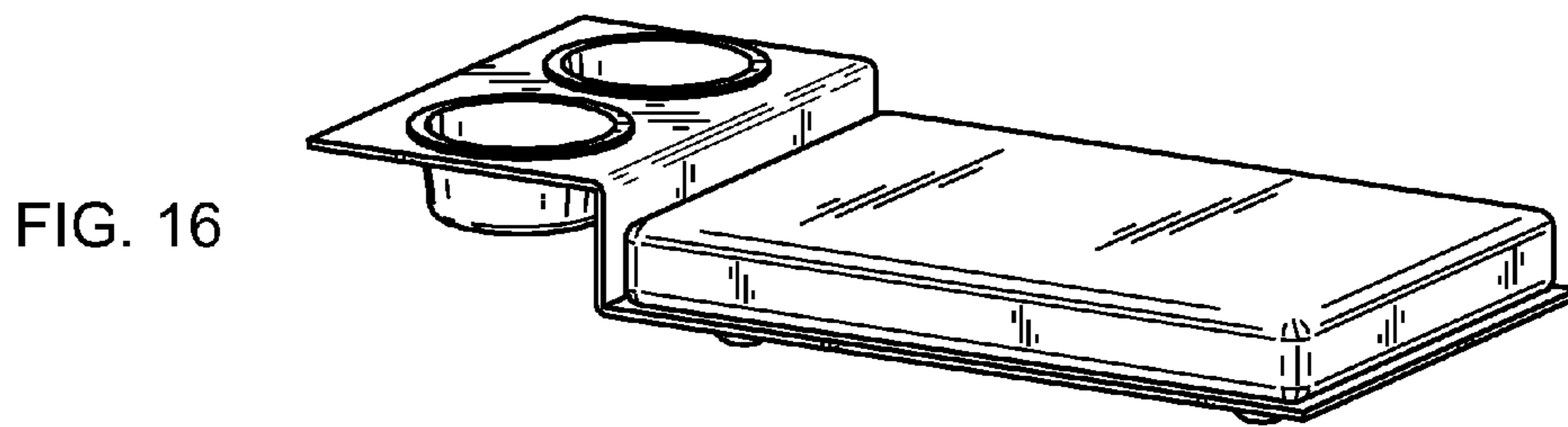
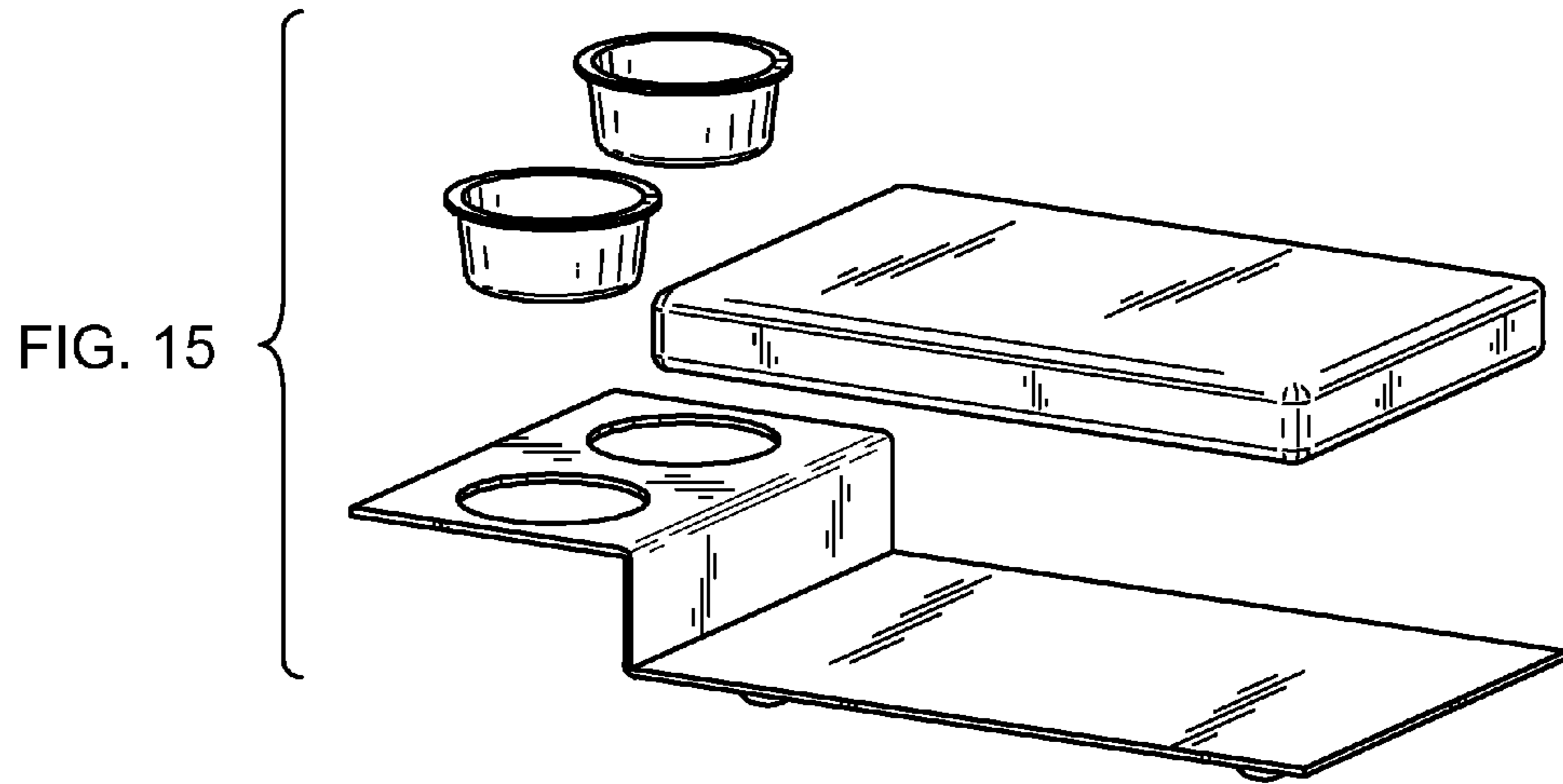


FIG. 17



FIG. 18

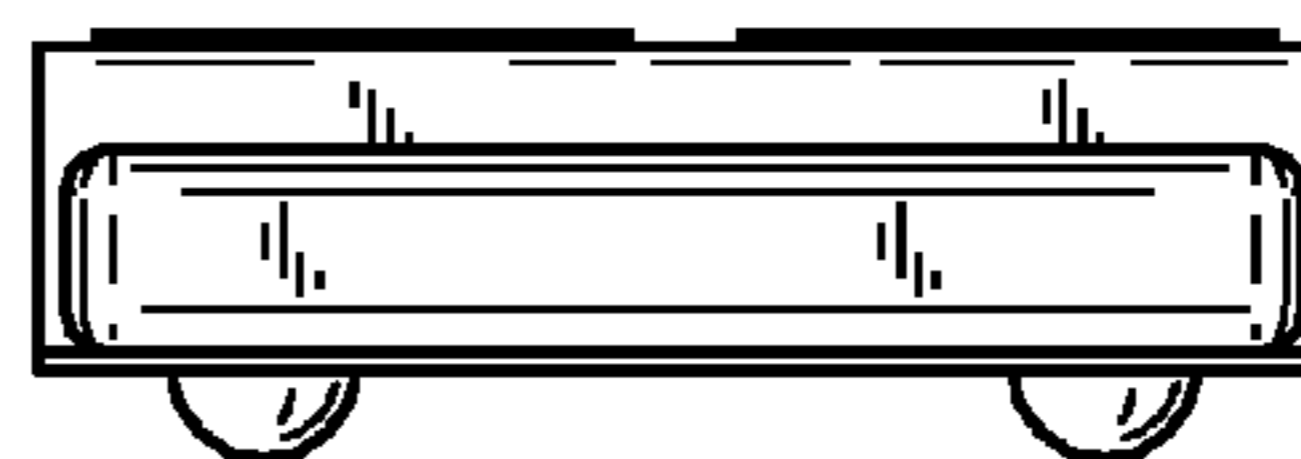


FIG. 19

FIG. 20

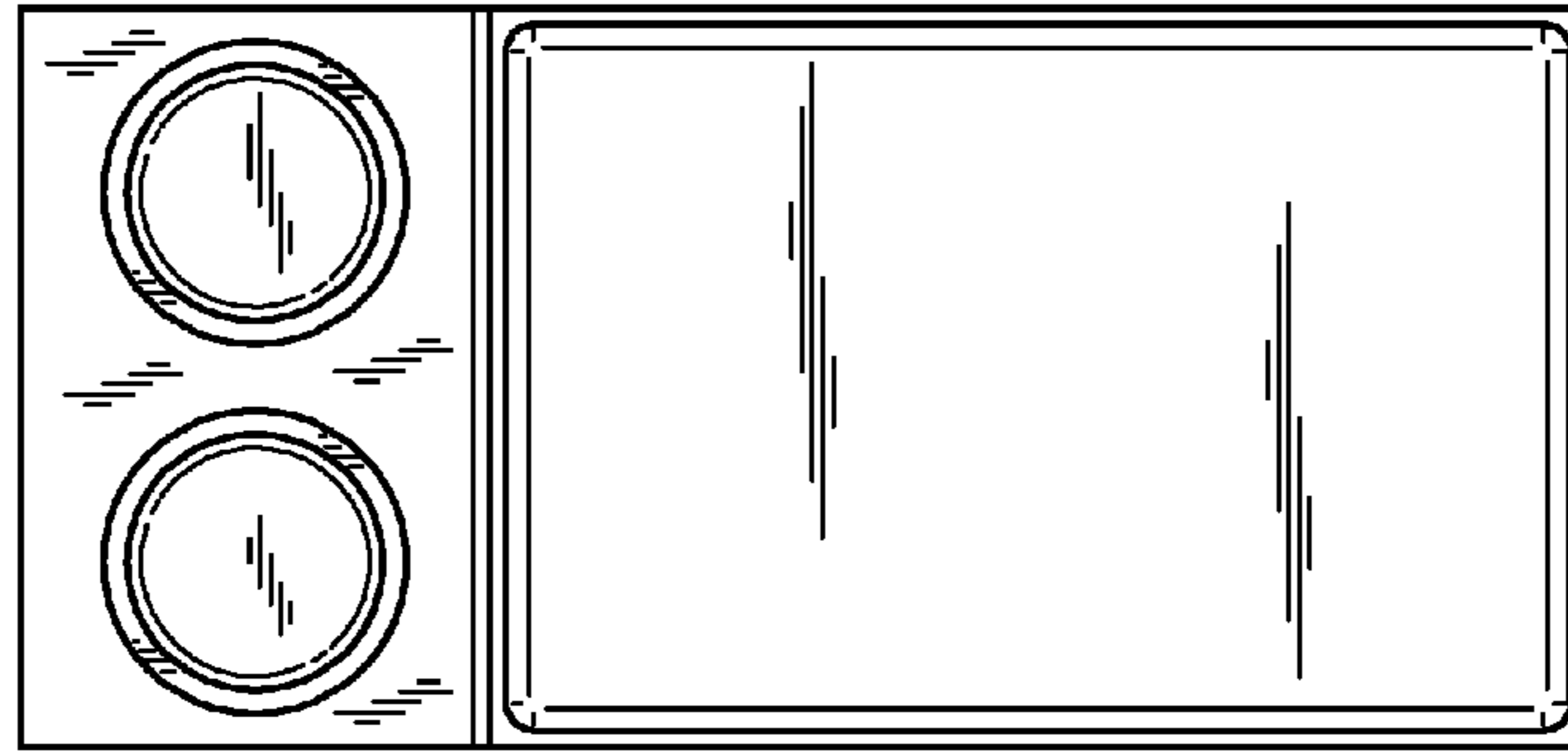


FIG. 21

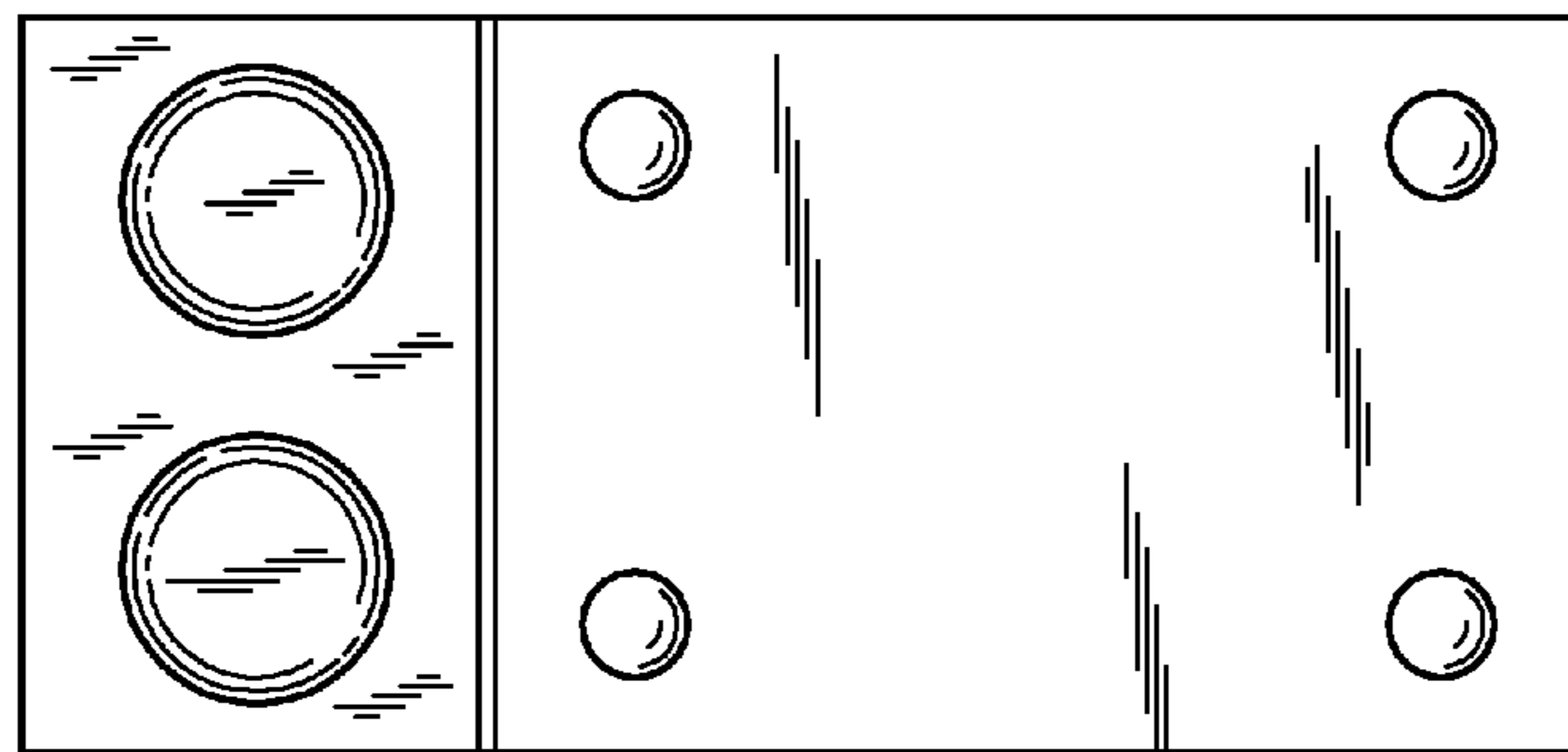
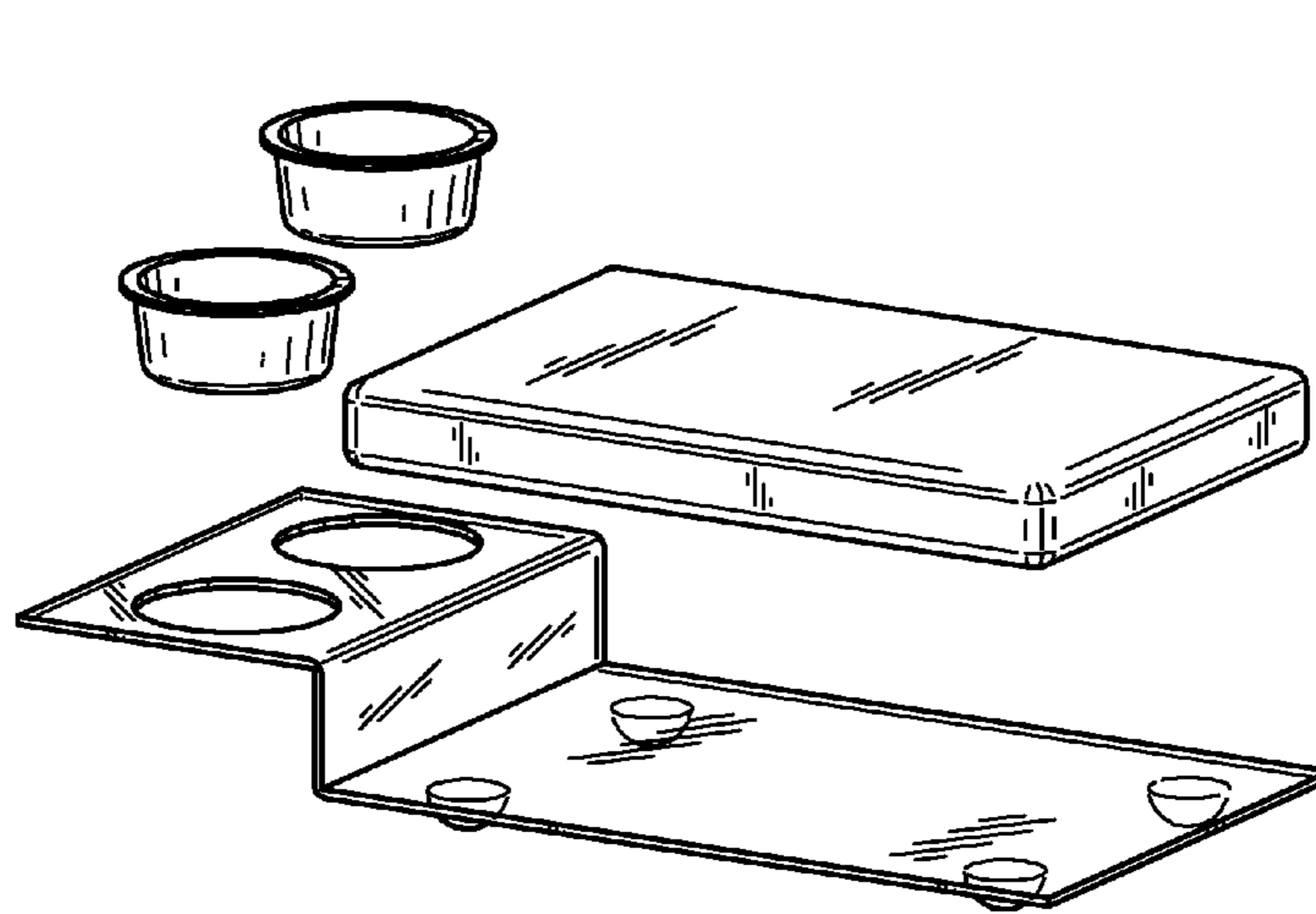


FIG. 22



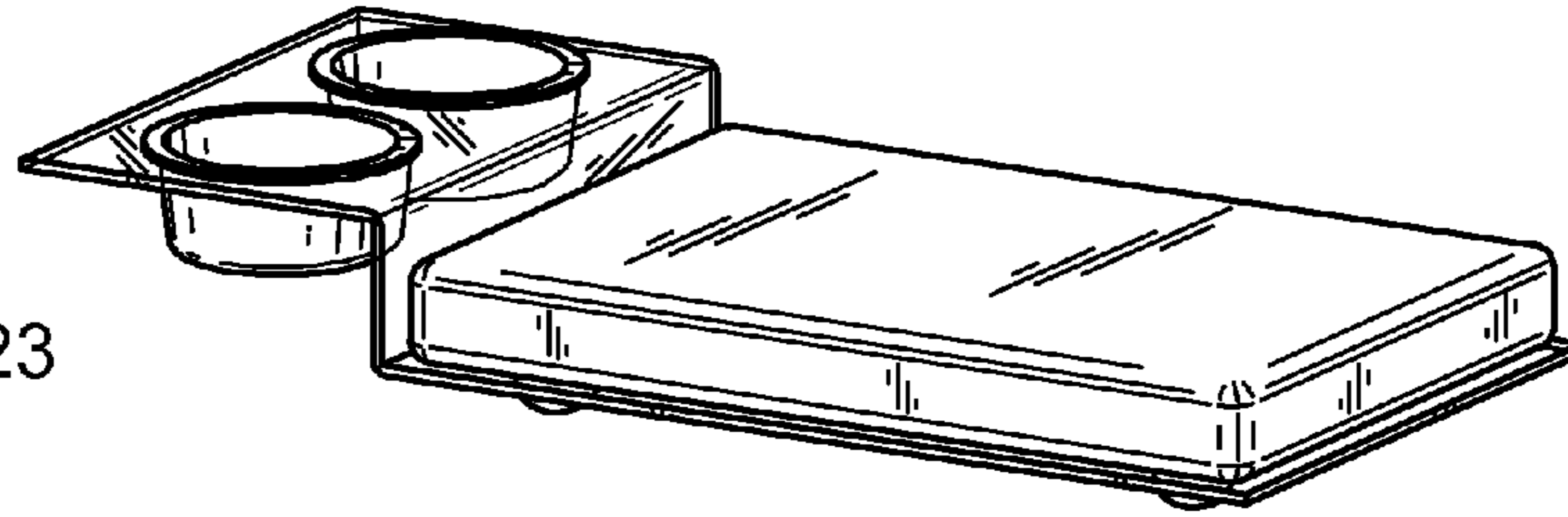


FIG. 23

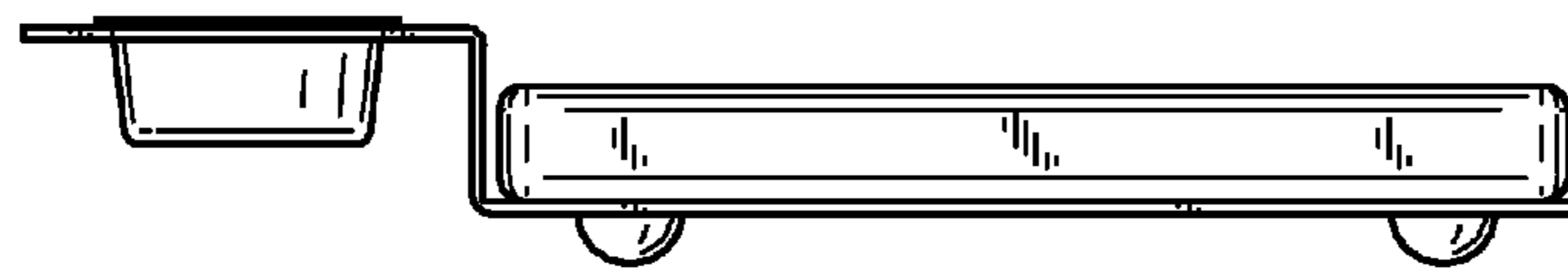


FIG. 24

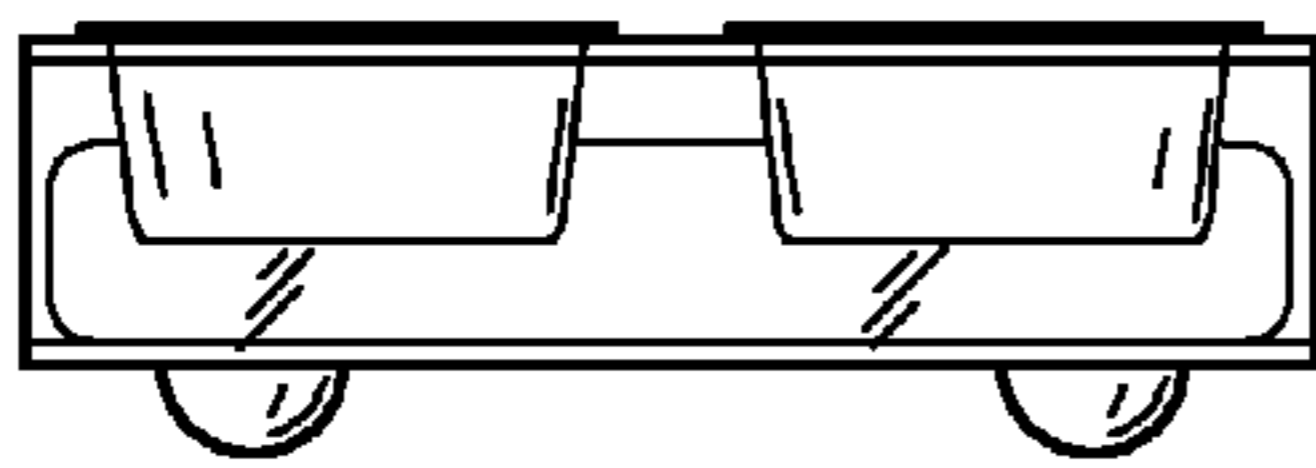


FIG. 25

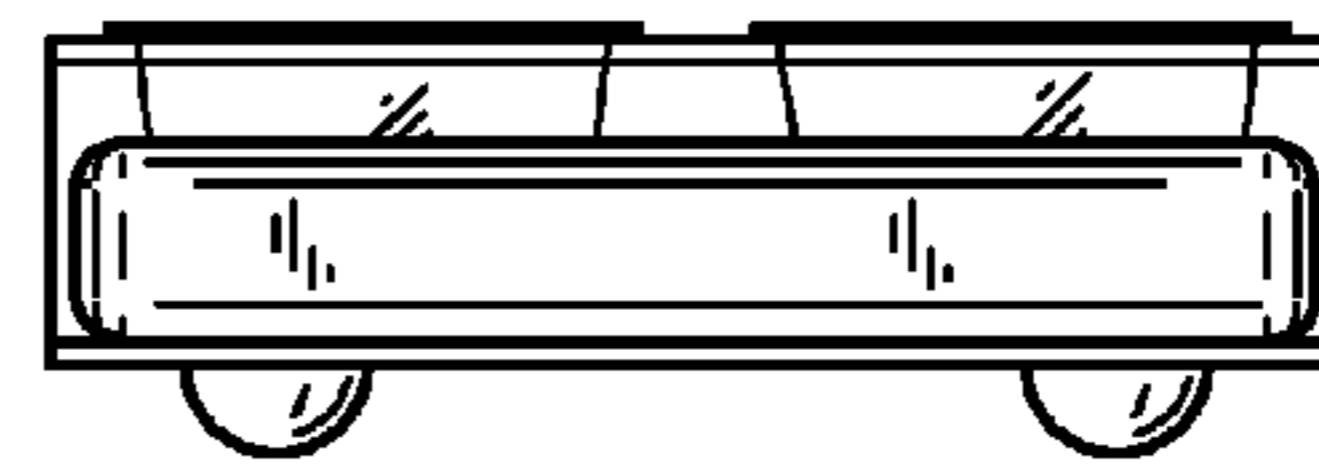


FIG. 26

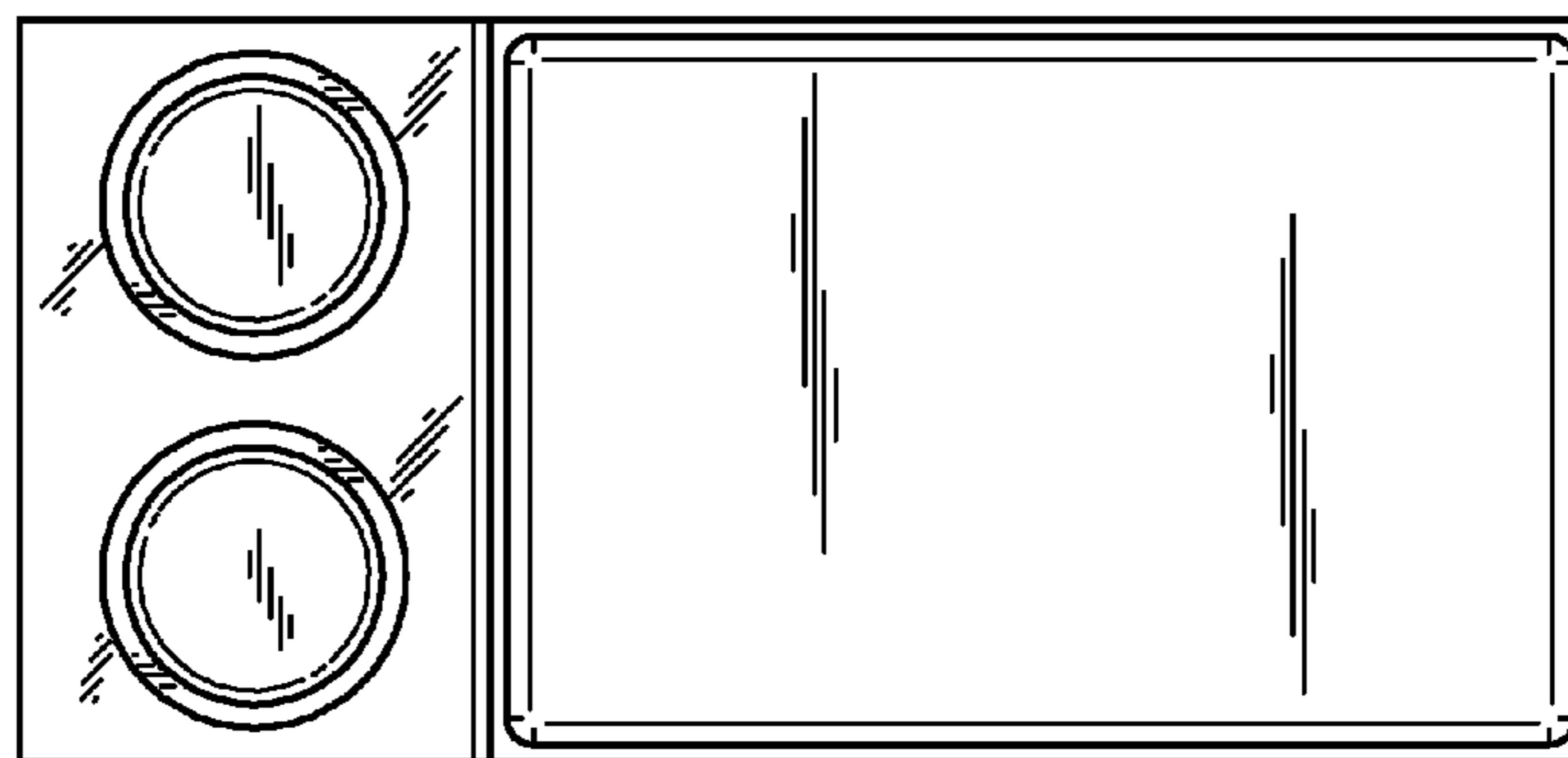


FIG. 27

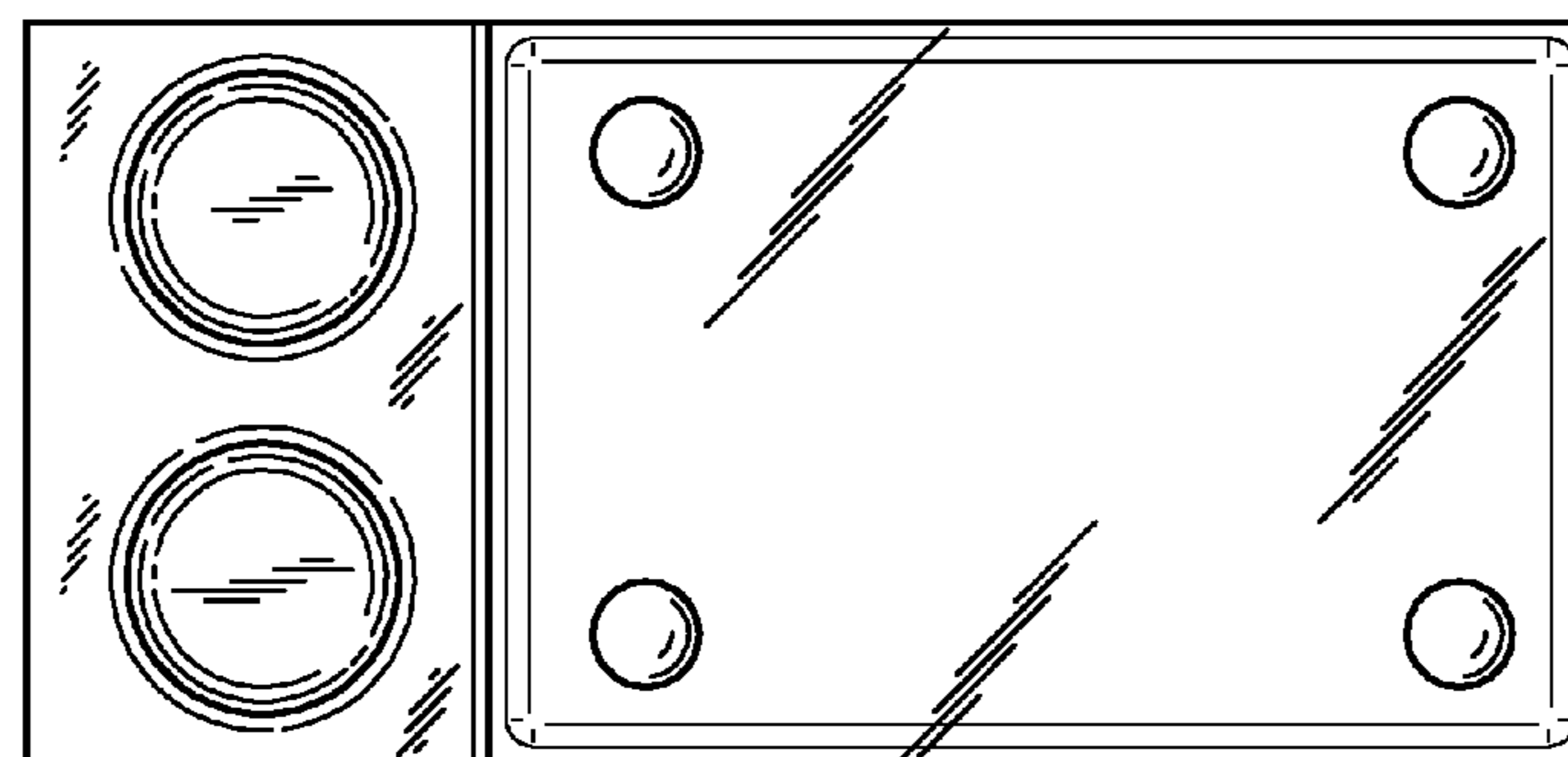


FIG. 28