



(12) **United States Design Patent**  
**Martin**

(10) **Patent No.:** **US D676,611 S**  
(45) **Date of Patent:** **\*\* Feb. 19, 2013**

- (54) **ORAL HYGIENE DEVICE DISPENSER**
  - (76) Inventor: **Gertrude Martin**, Calumet City, IL (US)
  - (\*\*) Term: **14 Years**
  - (21) Appl. No.: **29/392,367**
  - (22) Filed: **May 19, 2011**
  - (51) **LOC (9) Cl.** ..... **28-03**
  - (52) **U.S. Cl.** ..... **D28/66**
  - (58) **Field of Classification Search** ..... D28/31, D28/56, 65-68, 73; D24/152; 433/141, 433/146-147; 132/322-329; D3/203.1, D3/205; 206/63.5; 242/137-138; D9/419-420, D9/422, 529
- See application file for complete search history.

(56) **References Cited**

U.S. PATENT DOCUMENTS

3,725,182	A *	4/1973	Regan	.....	156/527
3,747,611	A *	7/1973	Bennington	.....	132/325
D231,199	S *	4/1974	Fortuna	.....	D9/419
D243,187	S *	1/1977	Bennington	.....	D28/68
D246,988	S *	1/1978	Bennington	.....	D28/68
D413,695	S *	9/1999	Bitz	.....	D28/66

\* cited by examiner

*Primary Examiner* — Zenia Bennett

(74) *Attorney, Agent, or Firm* — Skaar Ulbrich Macari, P.A.

(57) **CLAIM**

I claim the ornamental design for an oral hygiene device dispenser, as shown and described.

**DESCRIPTION**

FIG. 1 is a front perspective view of an oral hygiene device dispenser in a closed configuration in accordance with a first embodiment of the invention.

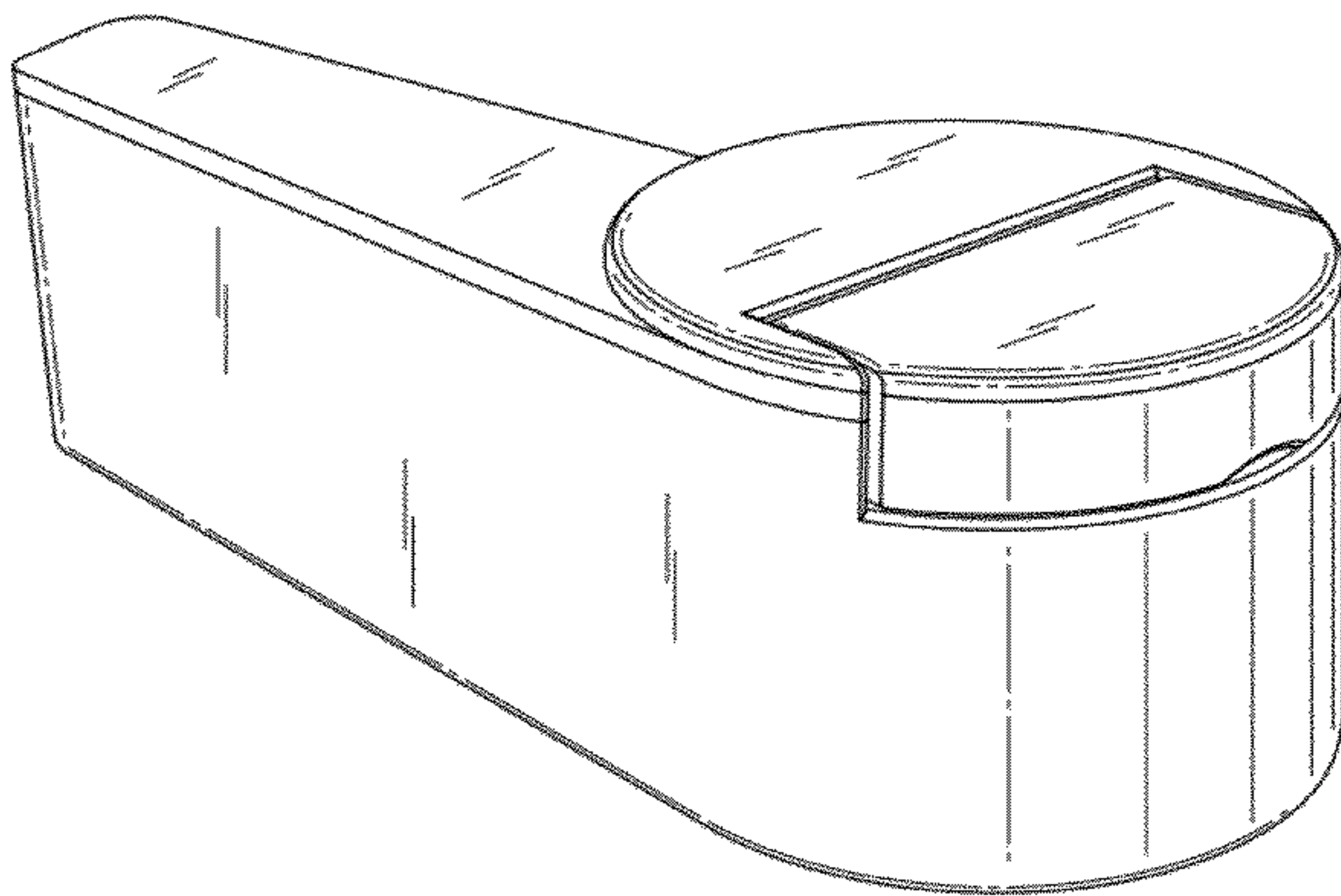


FIG. 2 is a top view of the oral hygiene device dispenser of FIG. 1.

FIG. 3 is a bottom view of the oral hygiene device dispenser of FIG. 1.

FIG. 4 is a front view of the oral hygiene device dispenser of FIG. 1.

FIG. 5 is a back view of the oral hygiene device dispenser of FIG. 1.

FIG. 6 is a first side view of the oral hygiene device dispenser of FIG. 1.

FIG. 7 is a second side view of the oral hygiene device dispenser of FIG. 1.

FIG. 8 is a front perspective view of an oral hygiene device dispenser in an opened configuration in accordance with the embodiment of FIG. 1.

FIG. 9 is a front perspective view of an oral hygiene device dispenser in a closed configuration in accordance with a second embodiment of the invention.

FIG. 10 is a top view of the oral hygiene device dispenser of FIG. 9.

FIG. 11 is a bottom view of the oral hygiene device dispenser of FIG. 9.

FIG. 12 is a front view of the oral hygiene device dispenser of FIG. 9.

FIG. 13 is a back view of the oral hygiene device dispenser of FIG. 9.

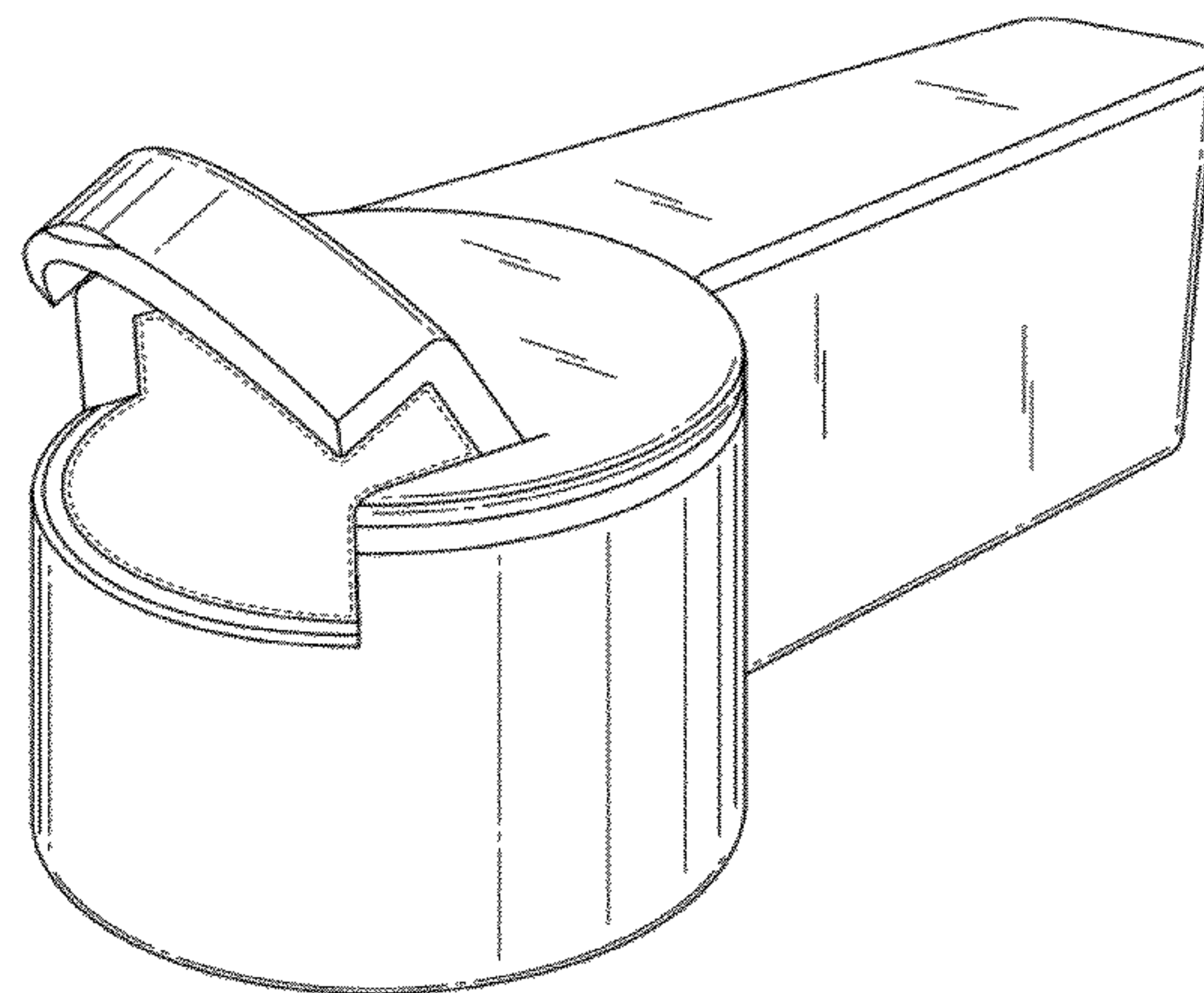
FIG. 14 is a first side view of the oral hygiene device dispenser of FIG. 9.

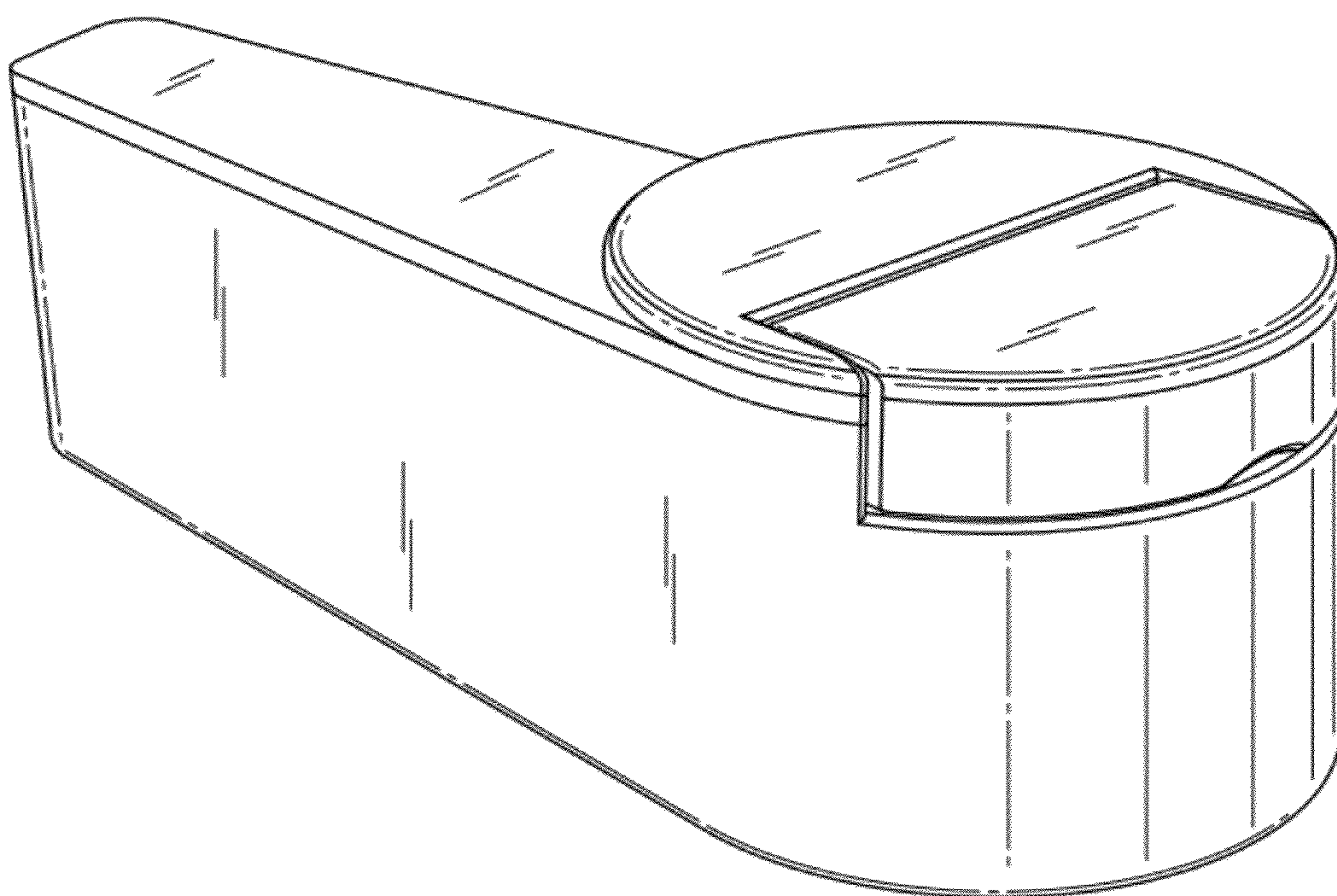
FIG. 15 is a second side view of the oral hygiene device dispenser of FIG. 9; and,

FIG. 16 is a front perspective view of an oral hygiene device dispenser in an opened configuration in accordance with the embodiment of FIG. 9.

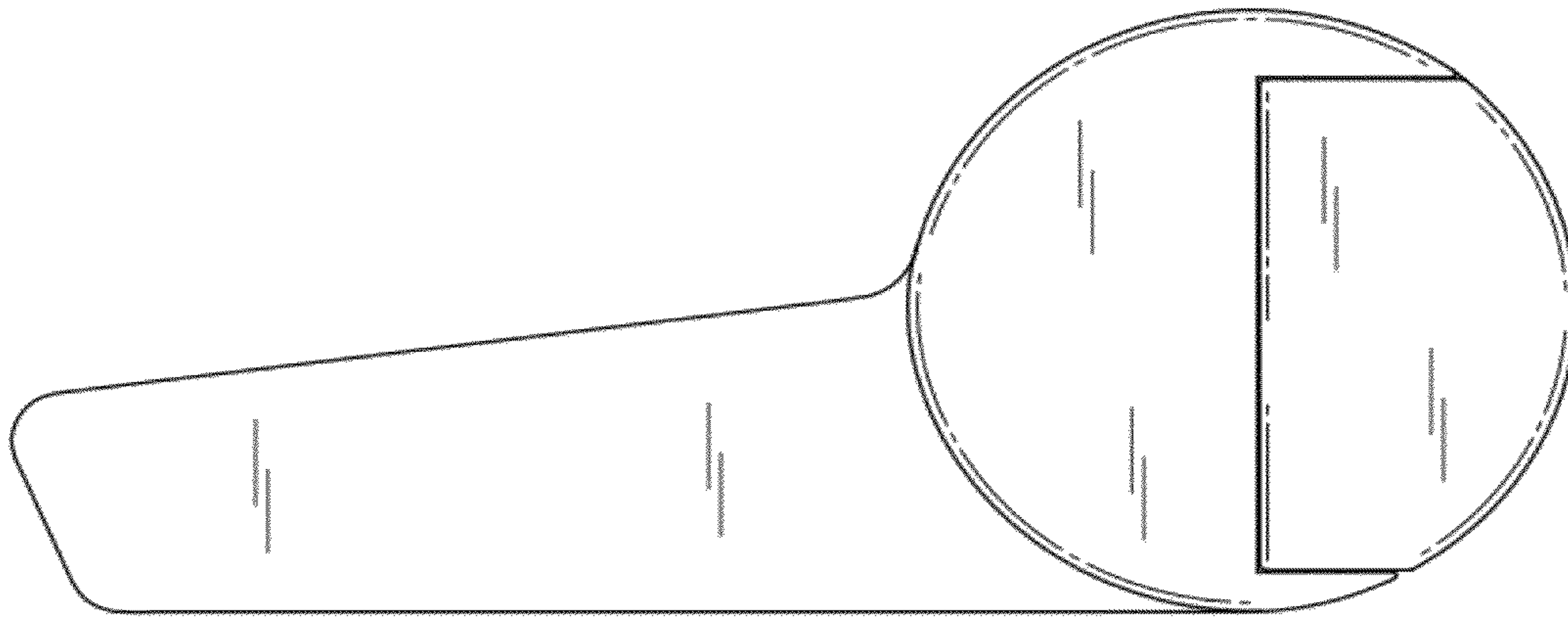
The broken lines are for illustrative purposes only and form no part of the claimed design.

**1 Claim, 10 Drawing Sheets**

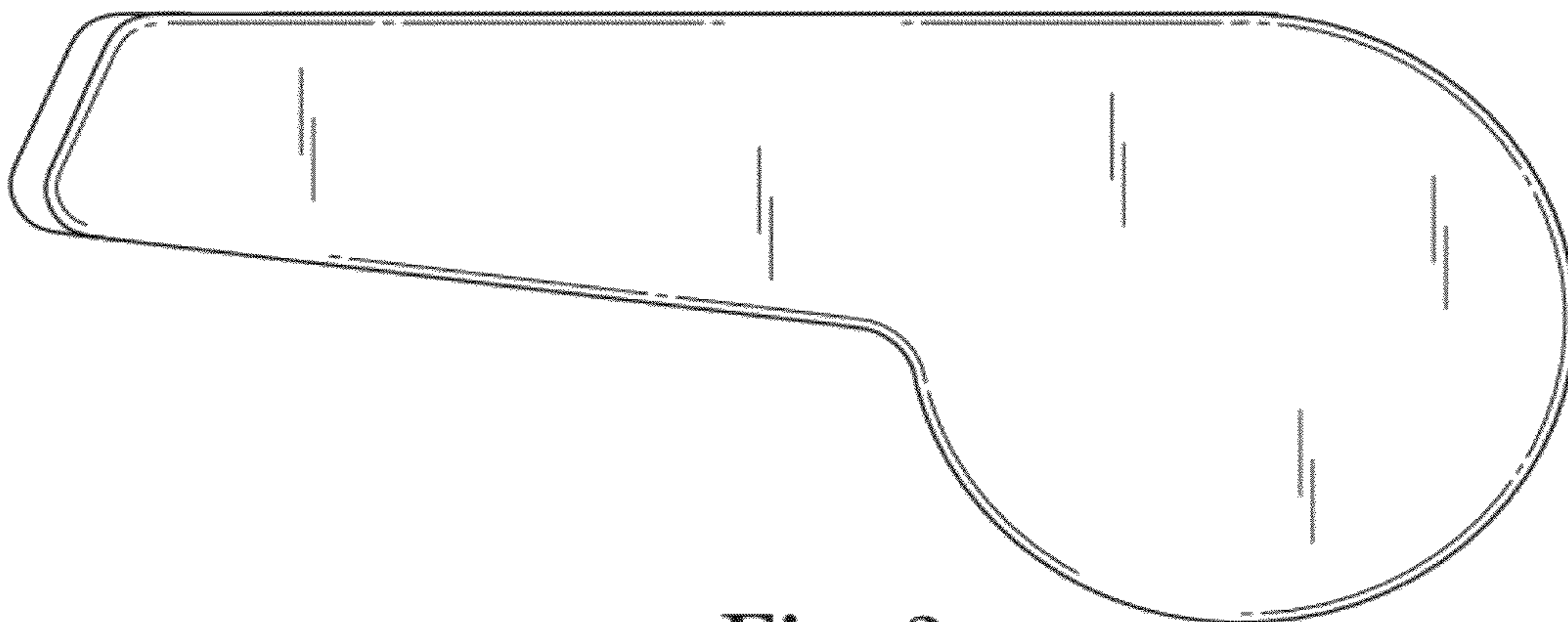




**Fig. 1**

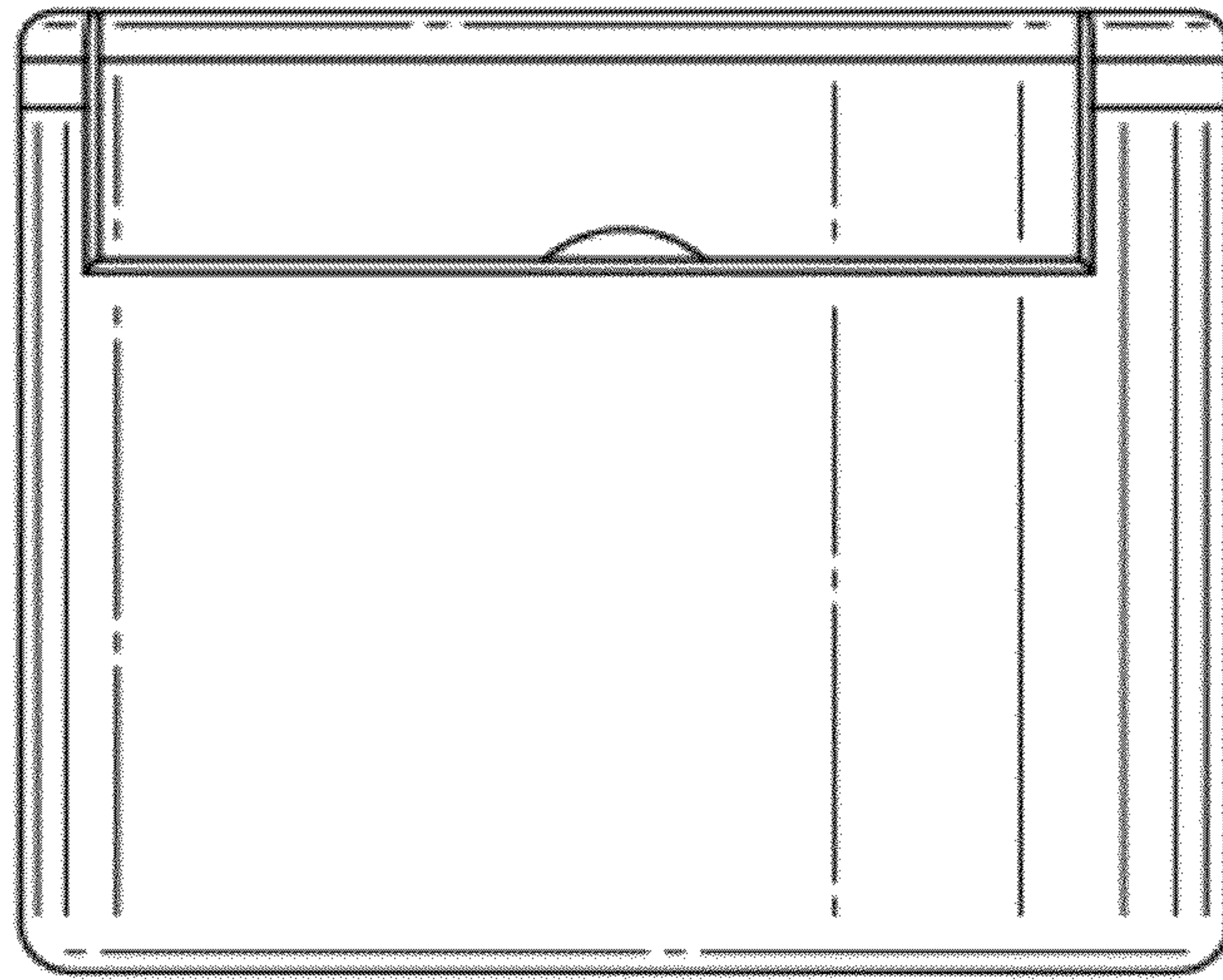


**Fig. 2**

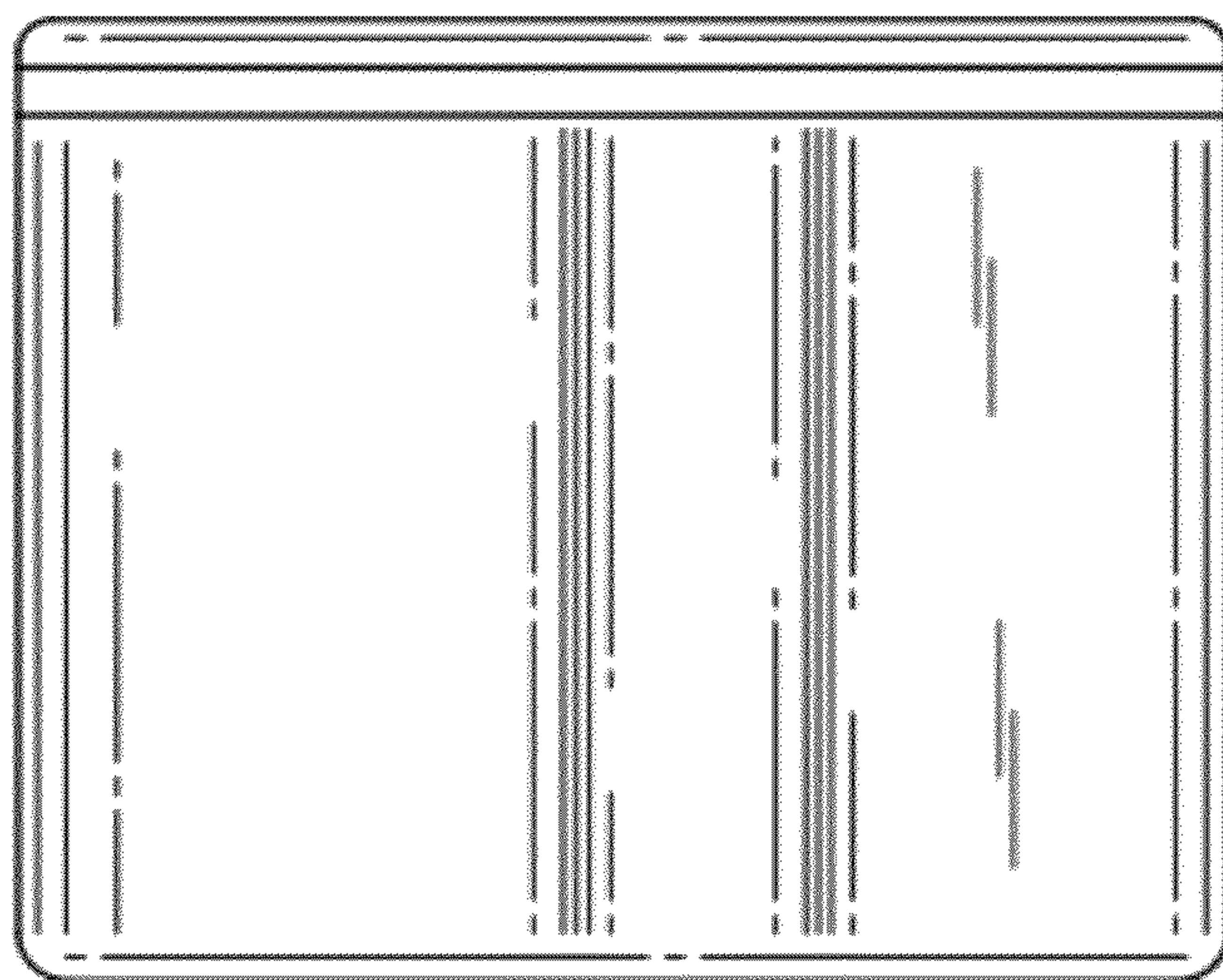


**Fig. 3**

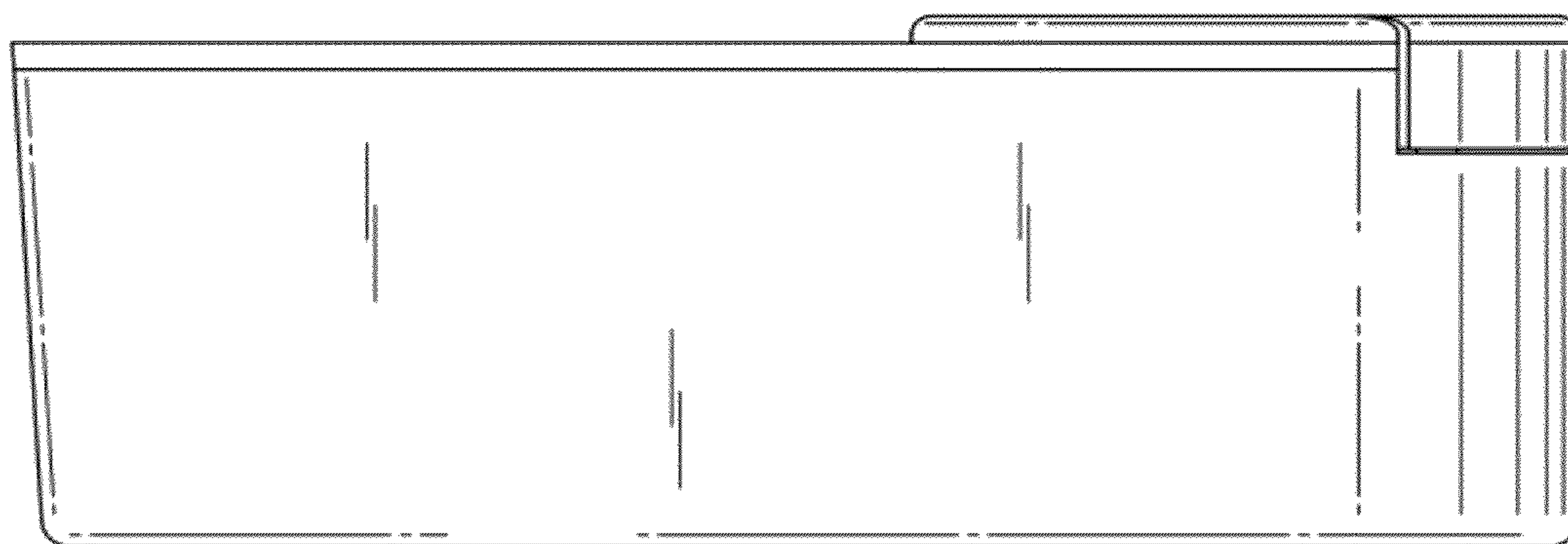




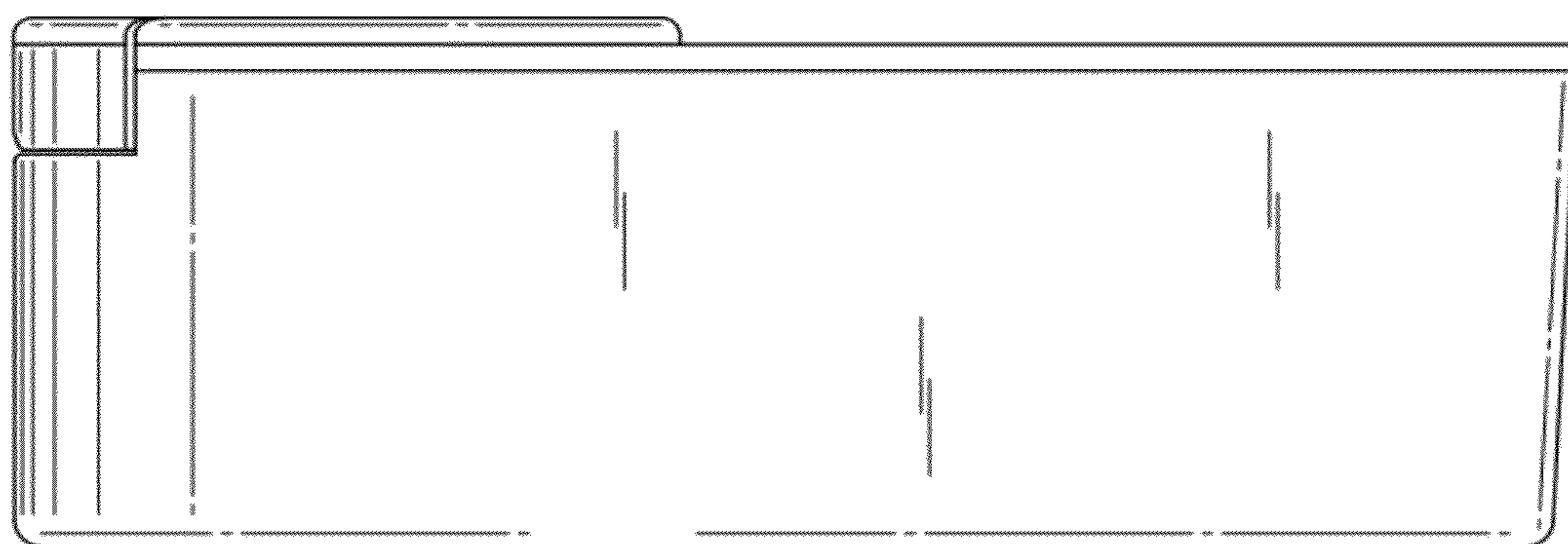
**Fig. 4**



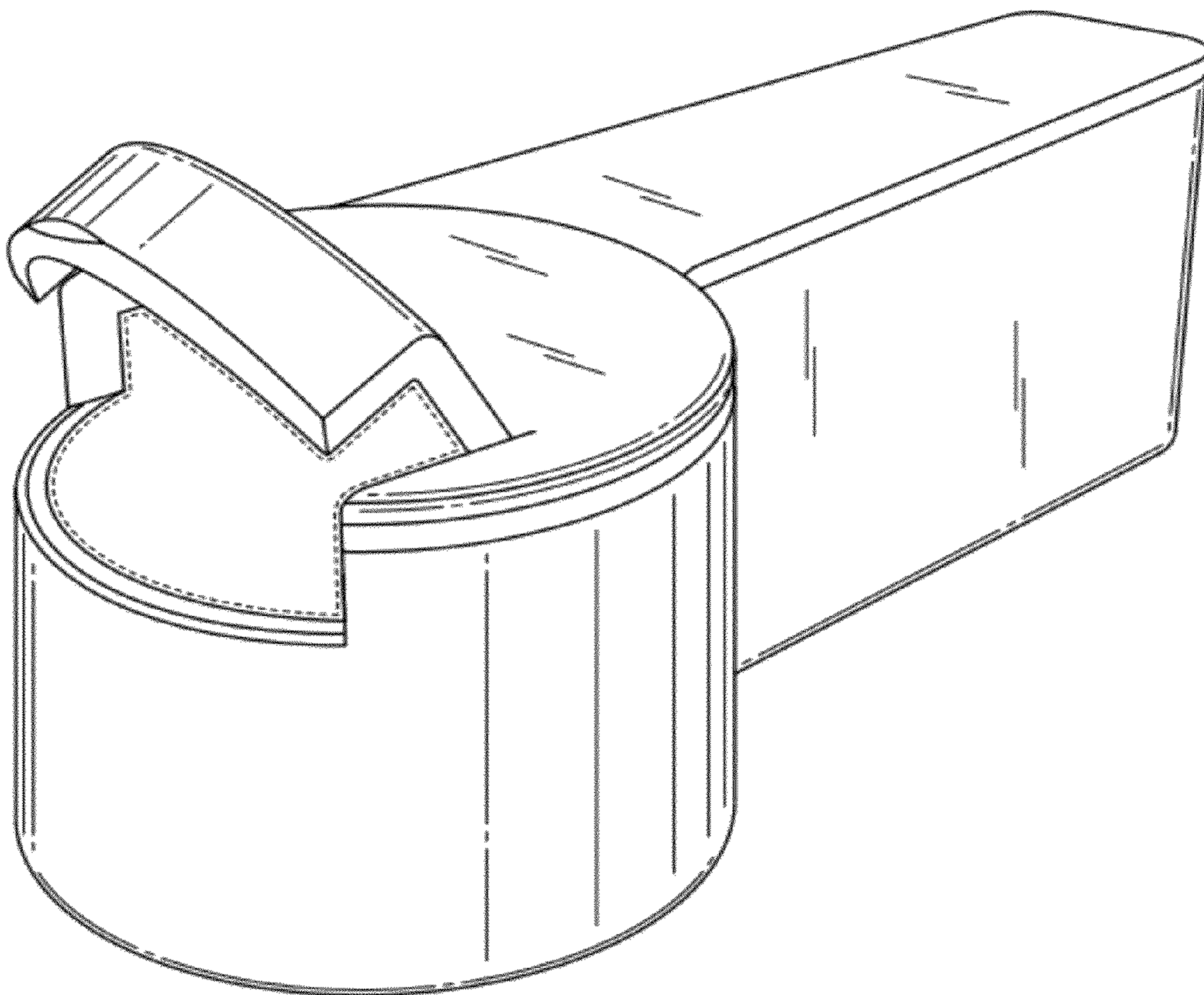
**Fig. 5**



**Fig. 6**

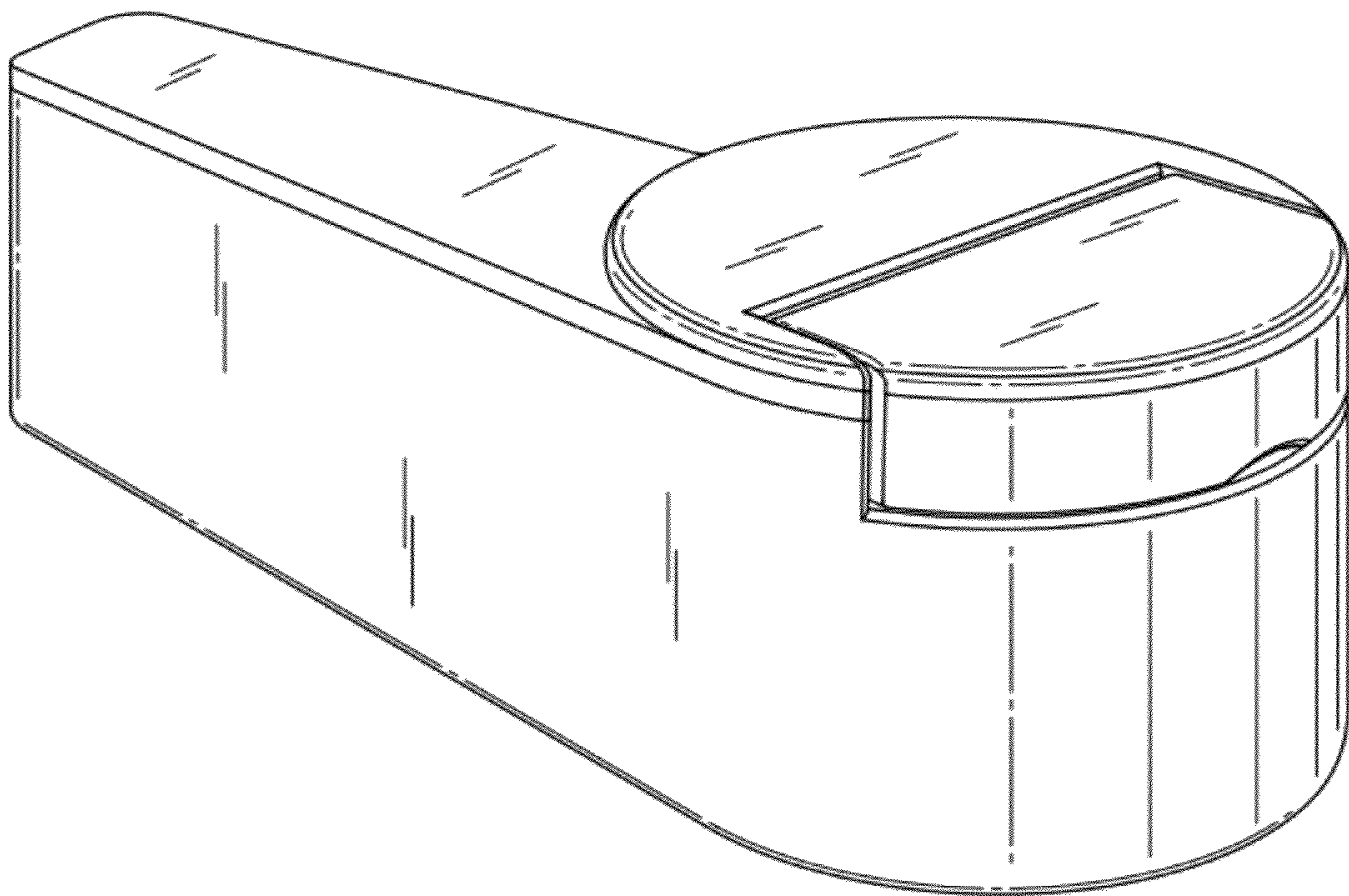


**Fig. 7**

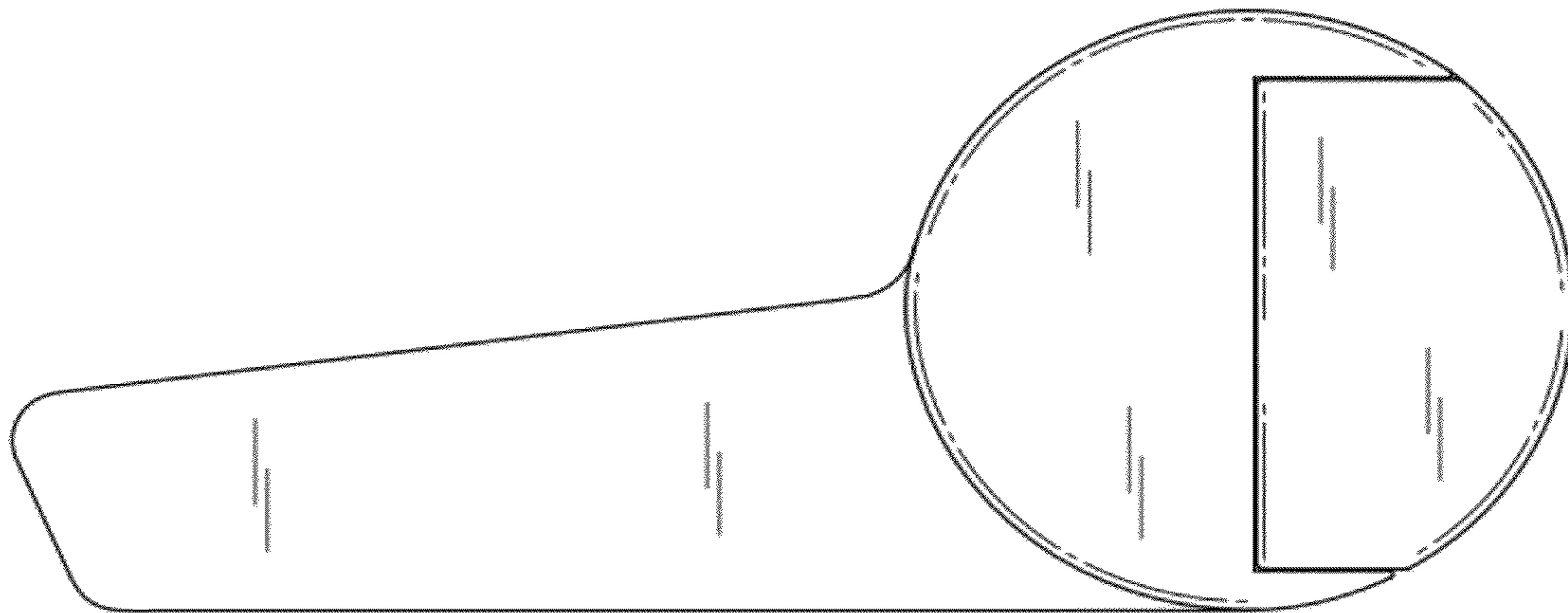


**Fig. 8**

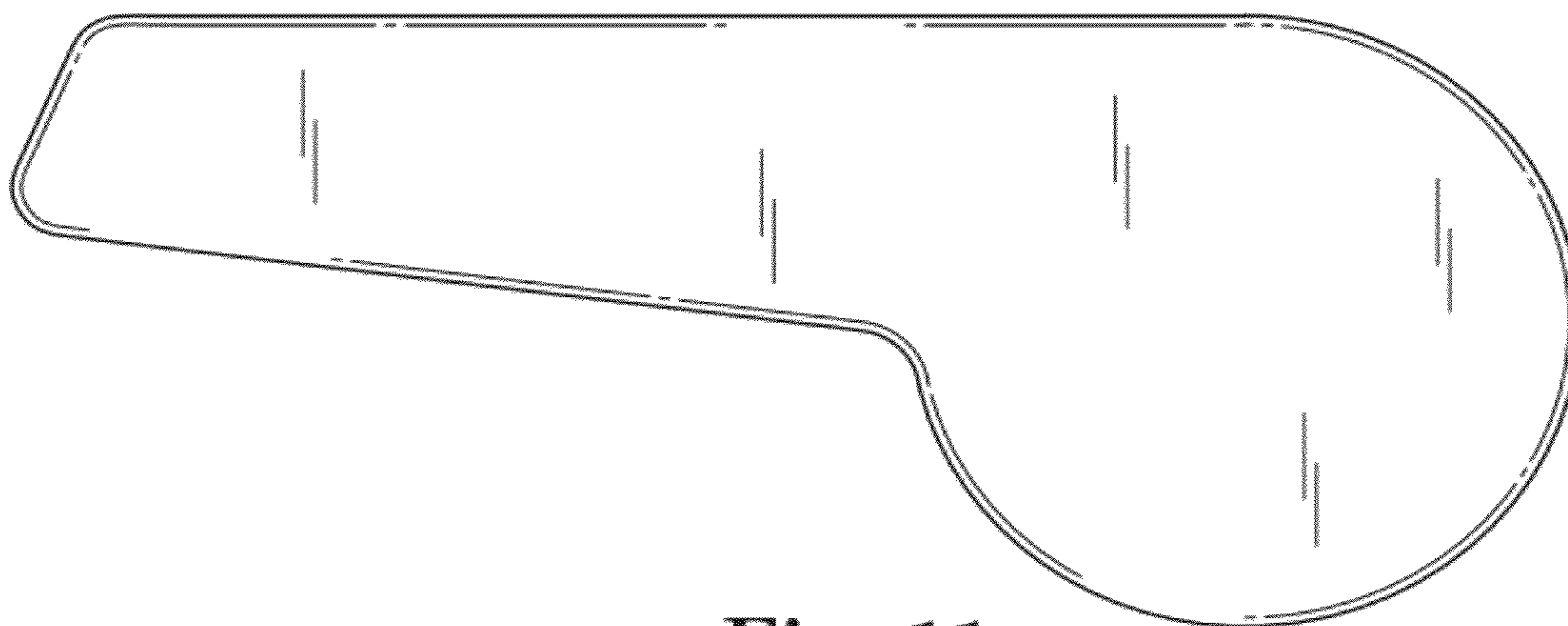




**Fig. 9**

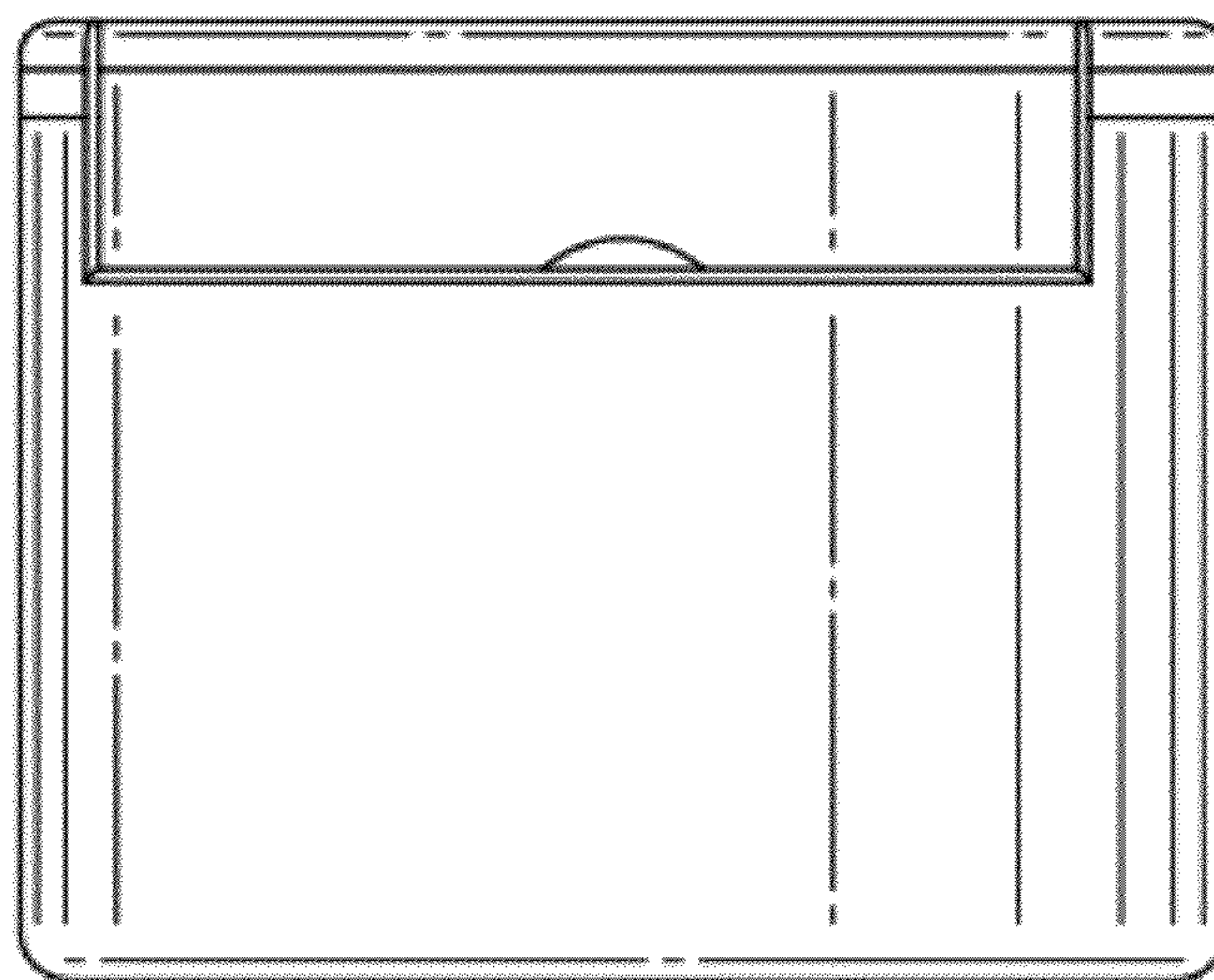


**Fig. 10**

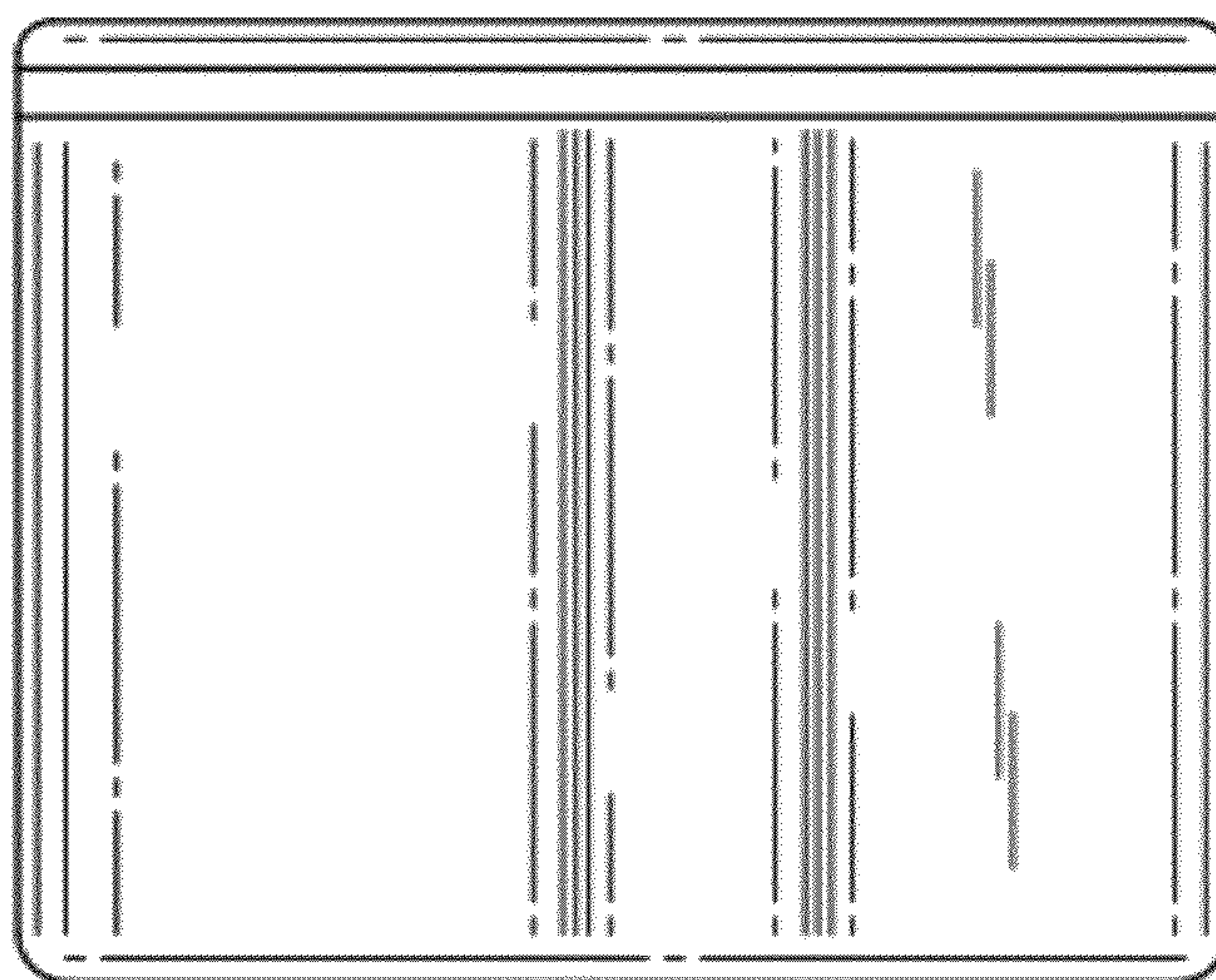


**Fig. 11**





**Fig. 12**



**Fig. 13**

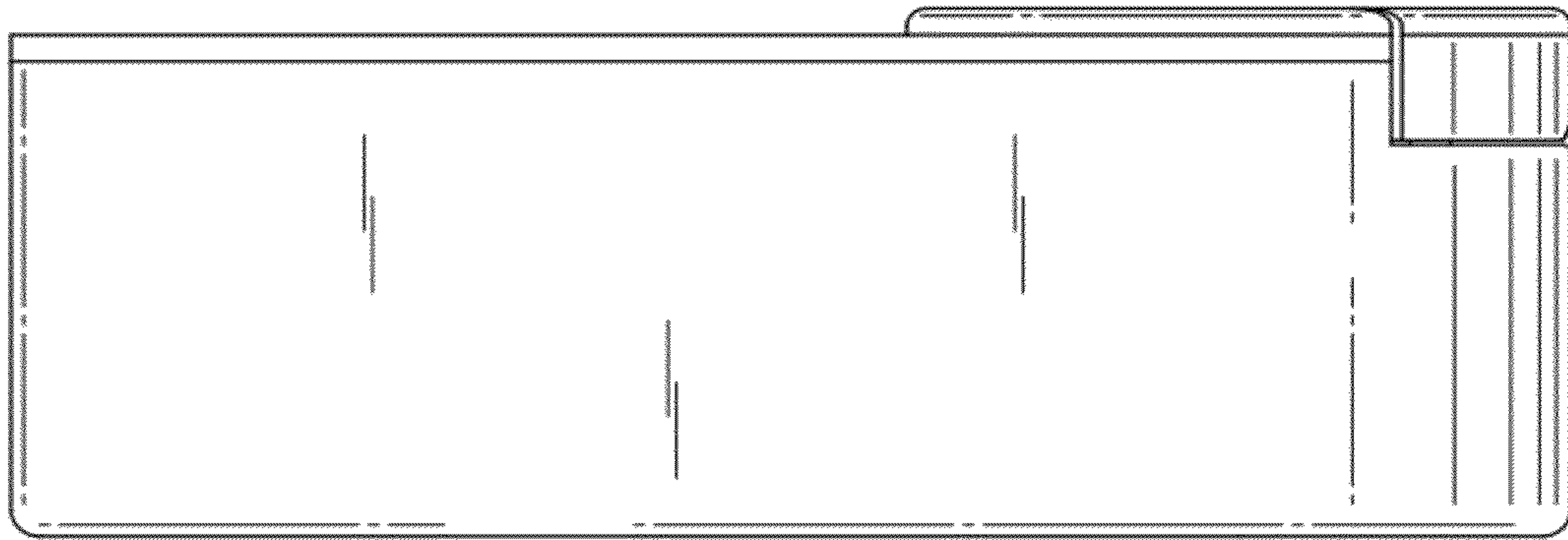


Fig. 14

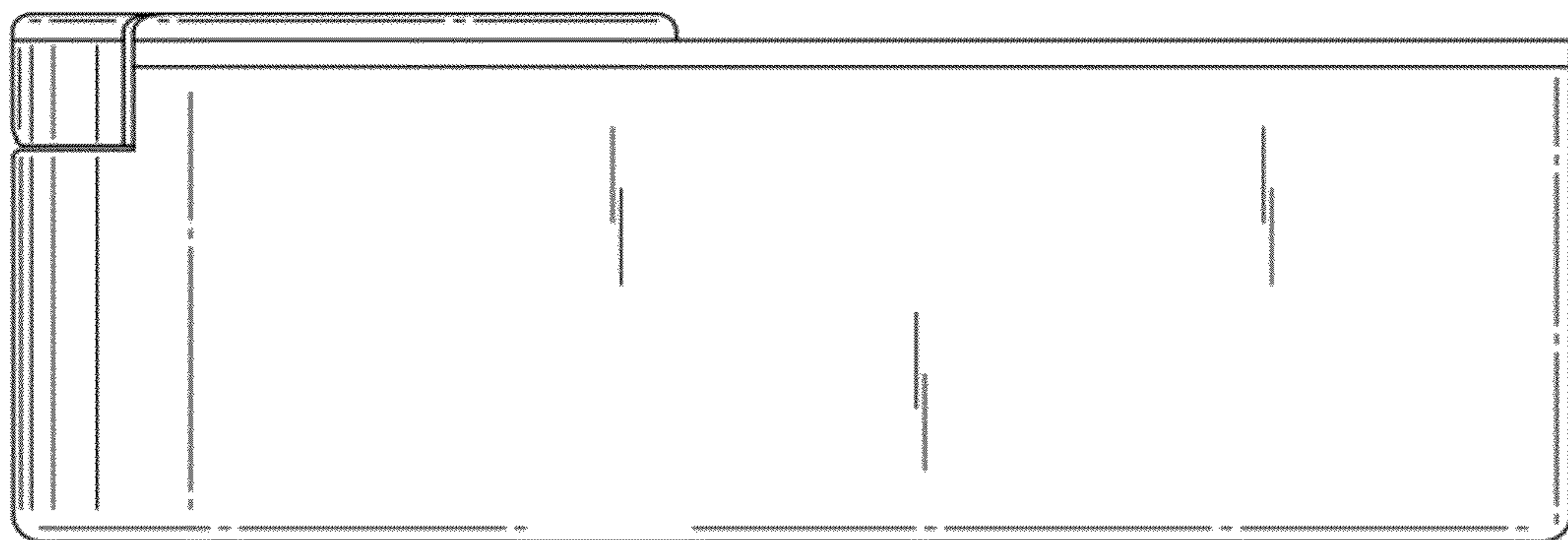
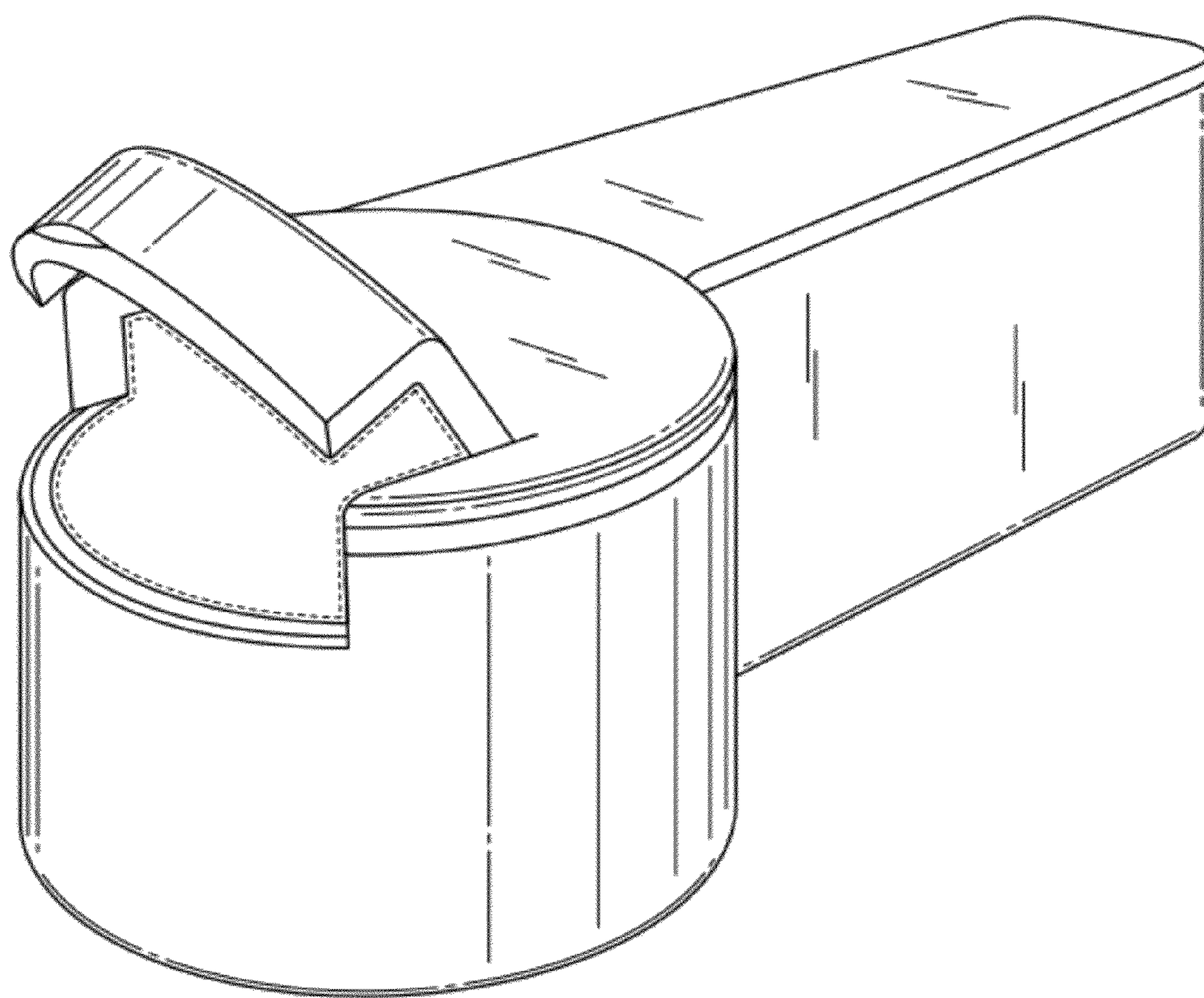


Fig. 15



**Fig. 16**