



US00D676609S

(12) **United States Design Patent**
Kim

(10) **Patent No.:** **US D676,609 S**

(45) **Date of Patent:** **** Feb. 19, 2013**

(54) **NAIL CLIPPER**

(75) Inventor: **Gab Soo Kim**, Bucheon-si (KR)

(73) Assignee: **Royal Metal Industrial Co., Ltd.**,
Bucheon-si, Gyeonggi-do

(**) Term: **14 Years**

(21) Appl. No.: **29/405,139**

(22) Filed: **Oct. 28, 2011**

(30) **Foreign Application Priority Data**

Apr. 28, 2011 (KR) 30-2011-0017408

(51) **LOC (9) Cl.** **28-03**

(52) **U.S. Cl.** **D28/60**

(58) **Field of Classification Search** D28/60,
D28/62; 132/73, 75, 75.4, 75.5, 76.5; 30/26-29
See application file for complete search history.

(56) **References Cited**

U.S. PATENT DOCUMENTS

4,574,475	A *	3/1986	Lee	30/28
4,602,430	A *	7/1986	Allen, Jr.	30/28
4,996,771	A *	3/1991	Williams	30/28
5,261,160	A *	11/1993	Castagna	30/28
D394,731	S *	5/1998	Lee	D28/60
5,983,498	A *	11/1999	Lieberman et al.	30/28
6,009,880	A *	1/2000	Weidlich	132/75.4
6,088,919	A *	7/2000	Gilman	30/28

6,523,545	B2 *	2/2003	Rende	132/75.5
D506,289	S *	6/2005	Moncayo	D28/60
D546,502	S *	7/2007	Lund et al.	D28/60
D554,289	S *	10/2007	Johnson et al.	D28/60
2007/0186419	A1 *	8/2007	Sunderland	30/28

* cited by examiner

Primary Examiner — Jennifer Rivard

(74) *Attorney, Agent, or Firm* — Renaissance IP Law Group
LLP (Portland IP)

(57) **CLAIM**

The ornamental designs for nail clipper, as shown and described.

DESCRIPTION

FIG. 1 is a perspective view of a nail clipper showing our new design;
FIG. 2 is a front elevational view thereof;
FIG. 3 is a rear elevational view thereof;
FIG. 4 is a left side elevational view thereof;
FIG. 5 is a right side elevational view thereof;
FIG. 6 is a top plan view thereof;
FIG. 7 is a bottom plan view thereof; and,
FIG. 8 is a perspective view of a nail clipper showing our new design combined with a nail scattering preventer.
The broken lines shown in the drawings illustrate the environment of the article and form no part of the claimed design.

1 Claim, 3 Drawing Sheets

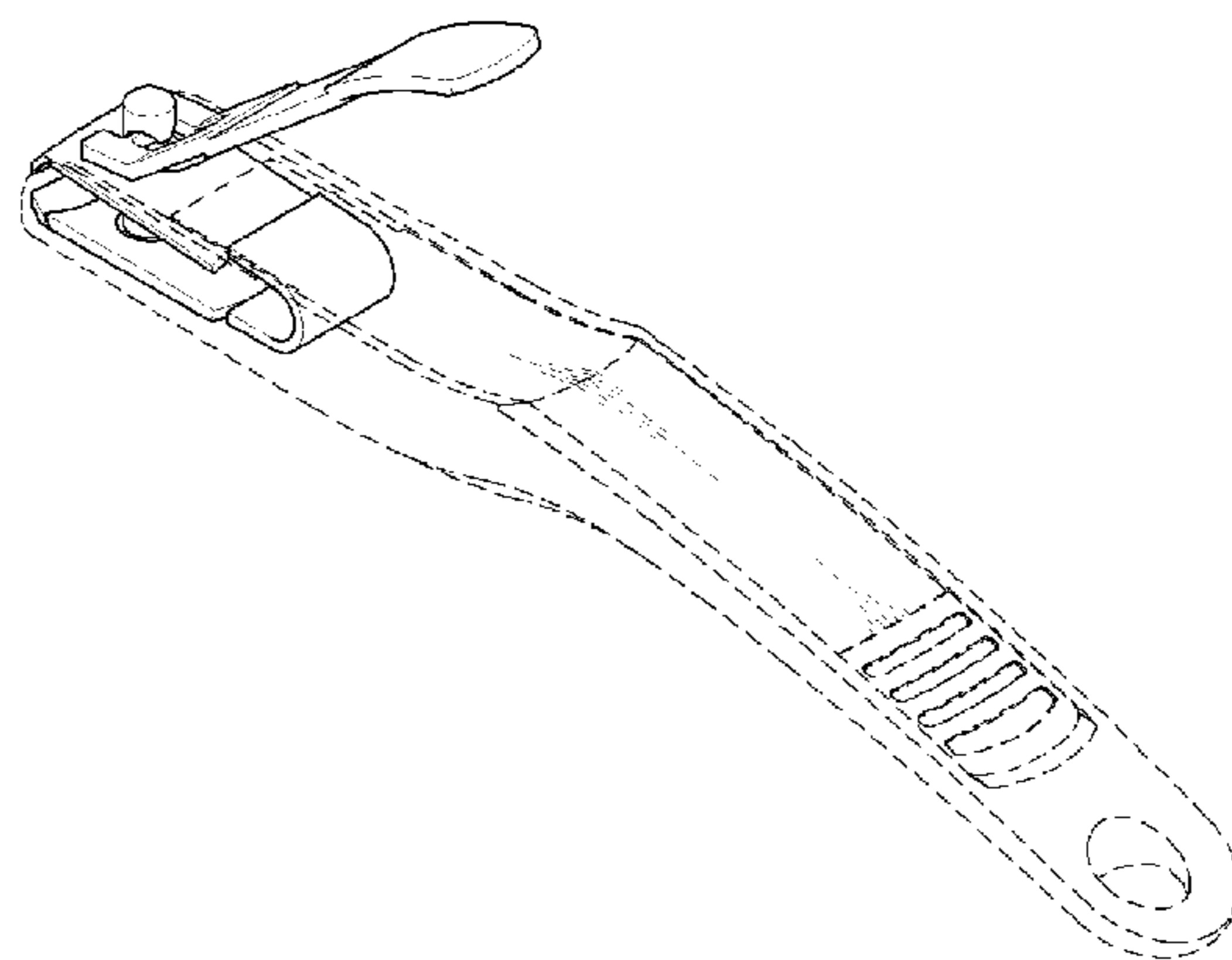
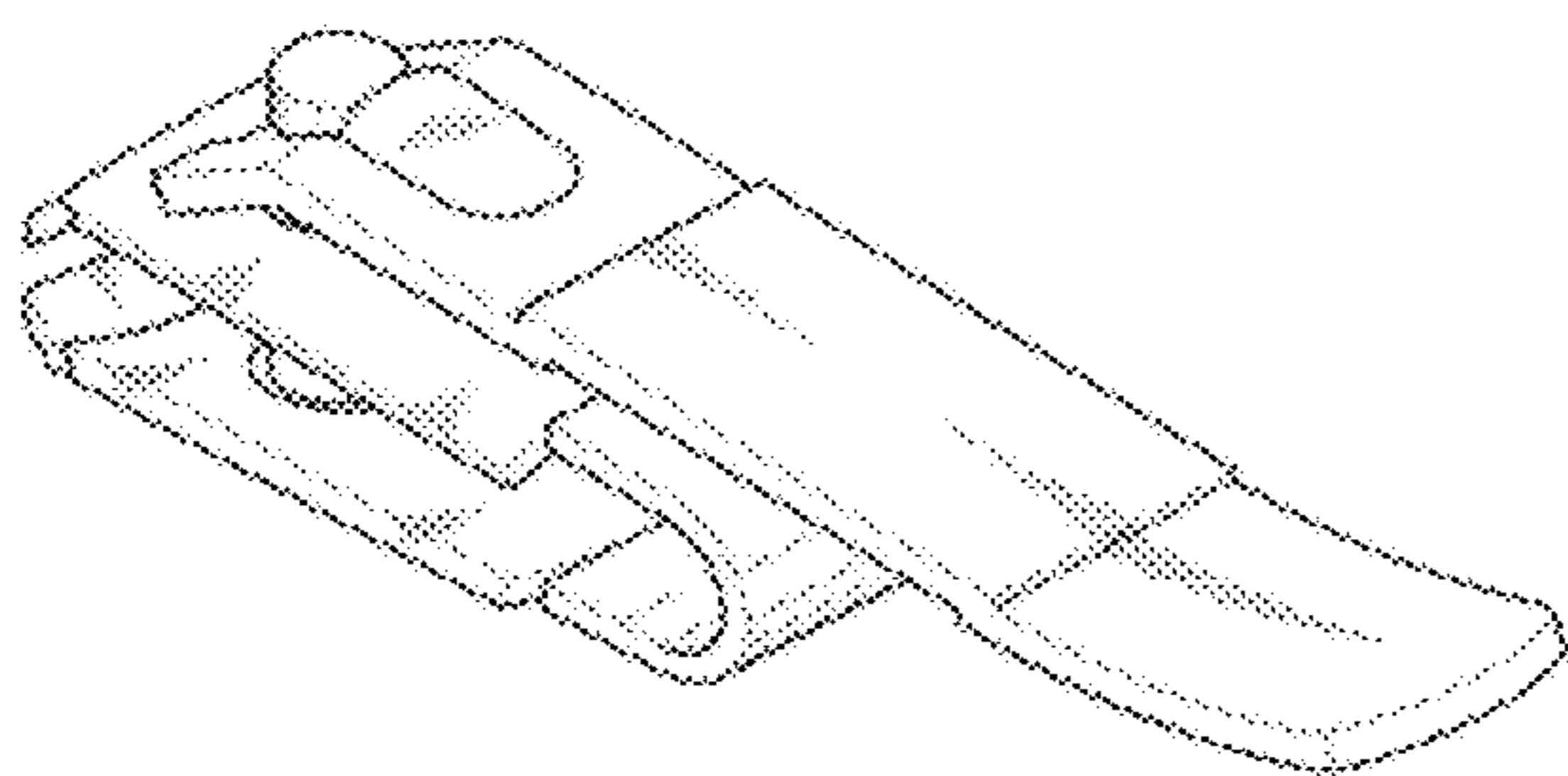


FIG. 1

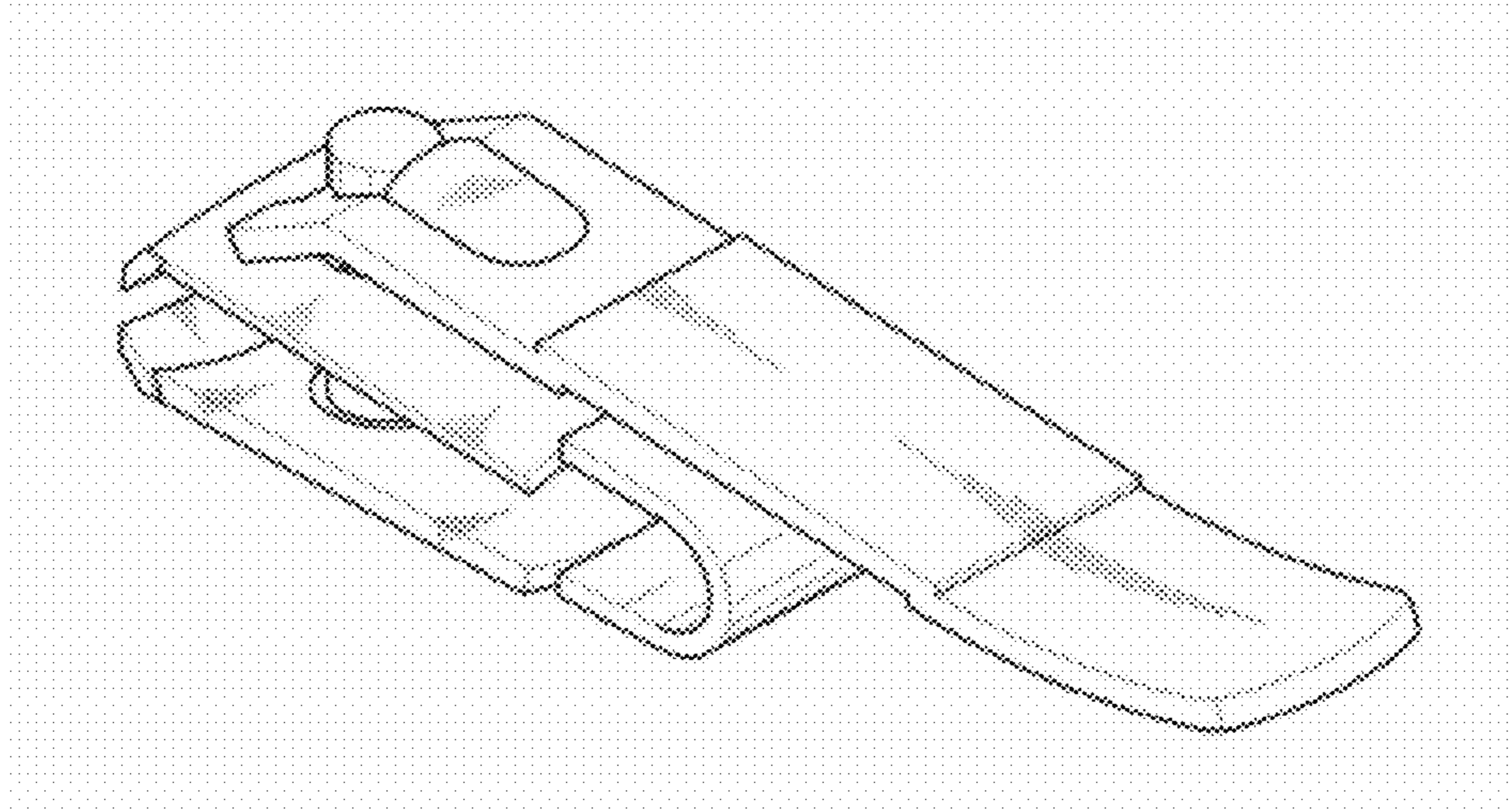


FIG. 2

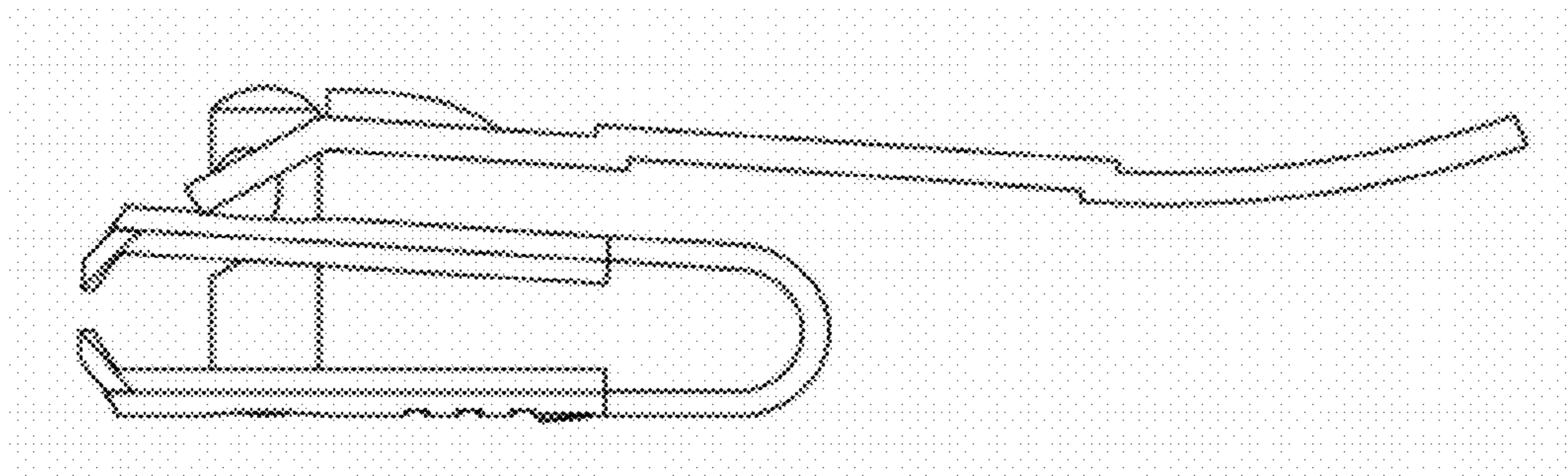


FIG. 3

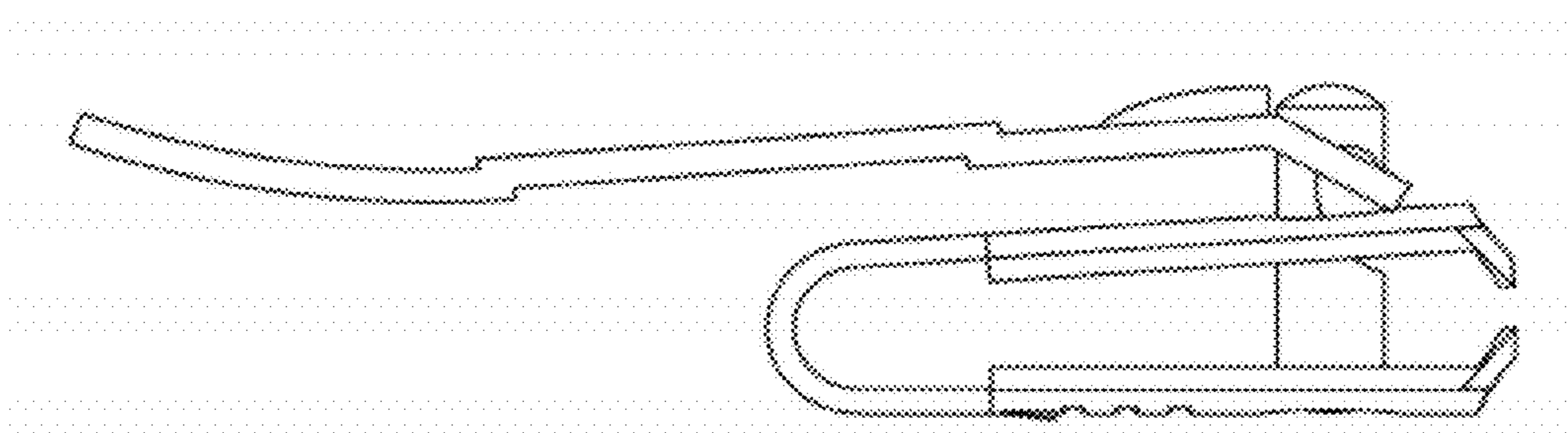


FIG. 4

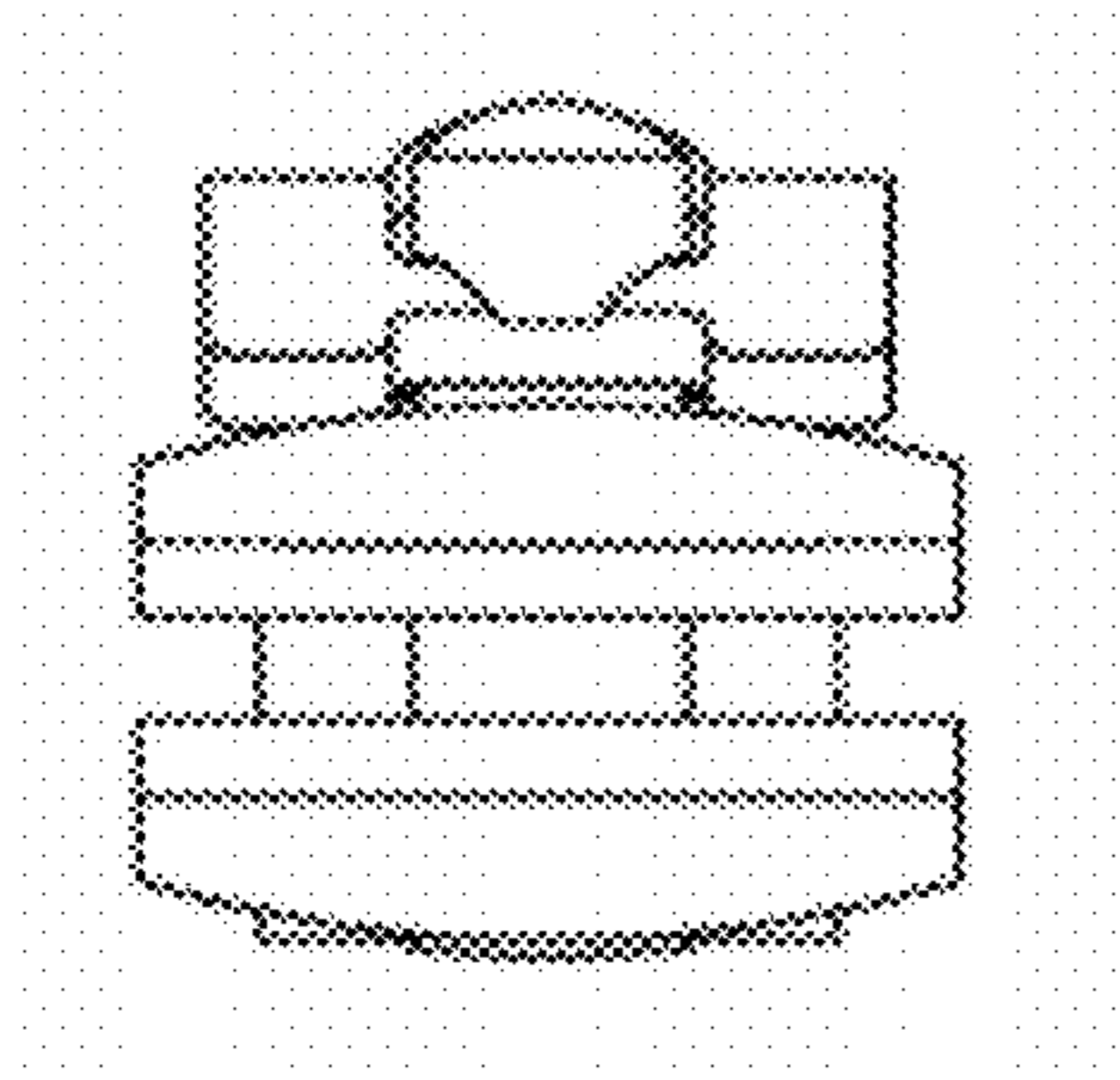


FIG. 5

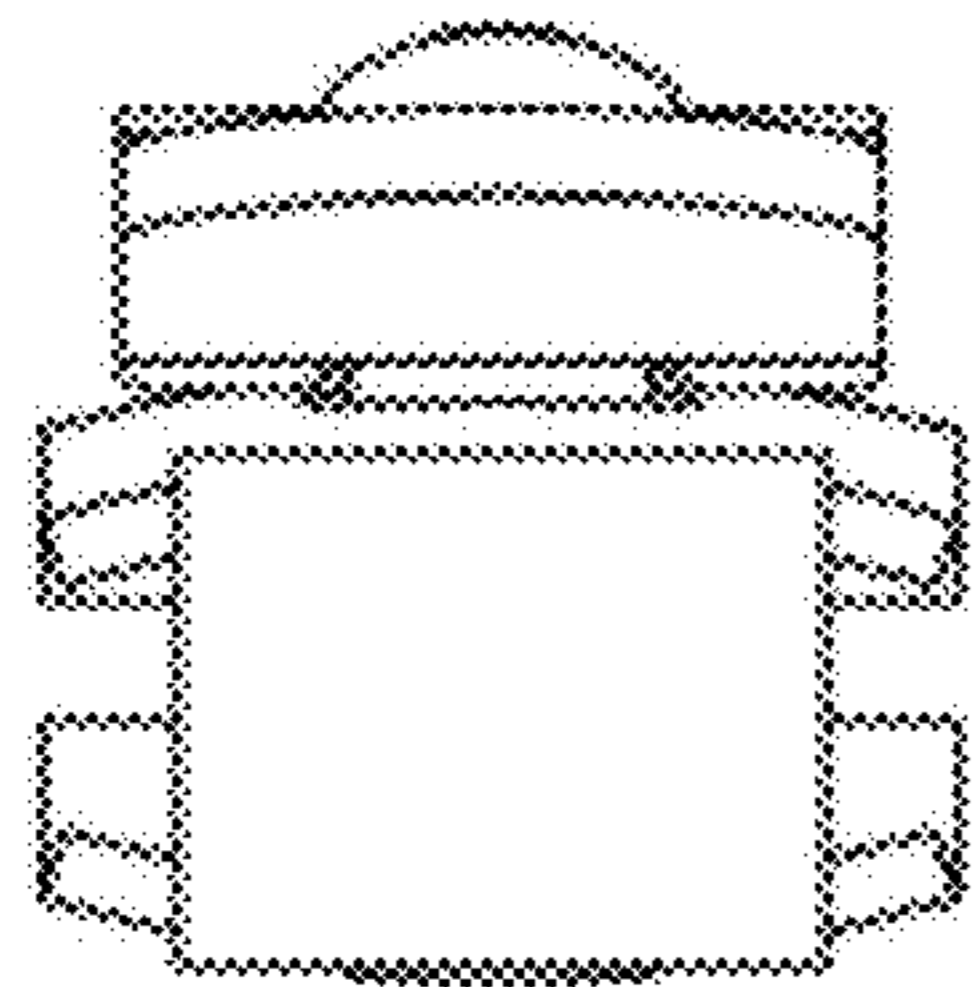


FIG. 6

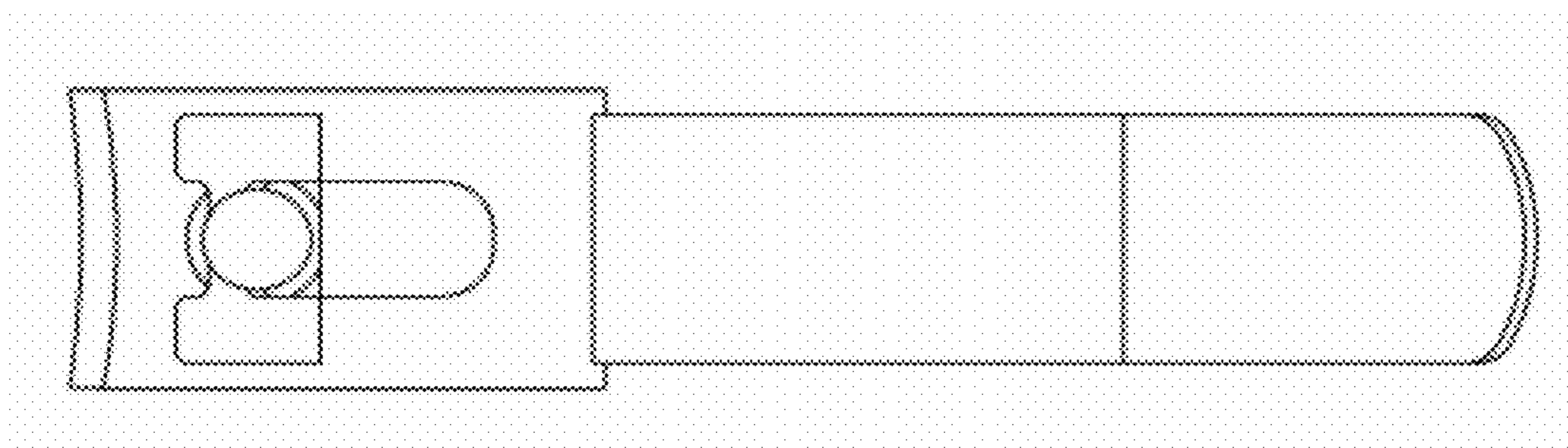


FIG. 7

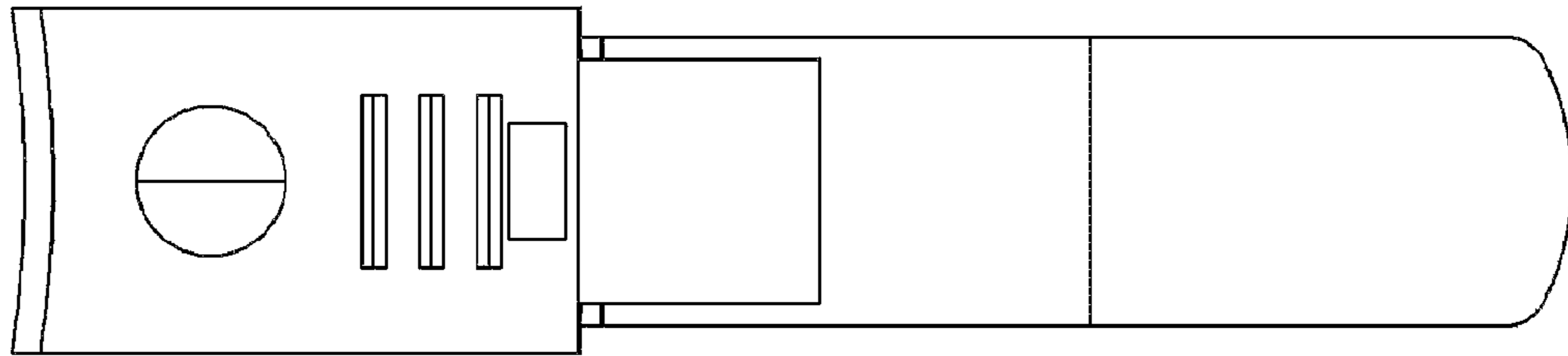


FIG. 8

