



US00D676601S

(12) **United States Design Patent**  
**Chen**

(10) **Patent No.:** **US D676,601 S**

(45) **Date of Patent:** **\*\* Feb. 19, 2013**

(54) **HAIR HOOP**

D300,675 S \* 4/1989 Sacher ..... D28/41  
5,335,680 A \* 8/1994 Moore ..... 132/276  
D626,689 S \* 11/2010 Shyu ..... D28/41

(75) Inventor: **Ming-Hung Chen**, Taipei (TW)

\* cited by examiner

(73) Assignee: **Yumark Enterprises Corp.**, Taipei (TW)

*Primary Examiner* — Zenia Bennett

(\*\*) Term: **14 Years**

(74) *Attorney, Agent, or Firm* — Alan Kamrath; Kamrath IP Lawfirm, P.A.

(21) Appl. No.: **29/431,186**

(57) **CLAIM**

The ornamental design for hair hoop, as shown and described.

(22) Filed: **Sep. 5, 2012**

**DESCRIPTION**

(51) **LOC (9) Cl.** ..... **28-03**

(52) **U.S. Cl.** ..... **D28/41**

(58) **Field of Classification Search** ..... D28/21-34,  
D28/39-43; 132/101, 126, 128-131, 144,  
132/148, 219, 275-284

See application file for complete search history.

FIG. 1 is a perspective view of a hair hoop showing my new design;

FIG. 2 is a front side elevational view thereof;

FIG. 3 is a rear side elevational view thereof;

FIG. 4 is a left elevational view thereof;

FIG. 5 is a right elevational view thereof;

FIG. 6 is a top plan view thereof;

FIG. 7 is a bottom plan view thereof; and,

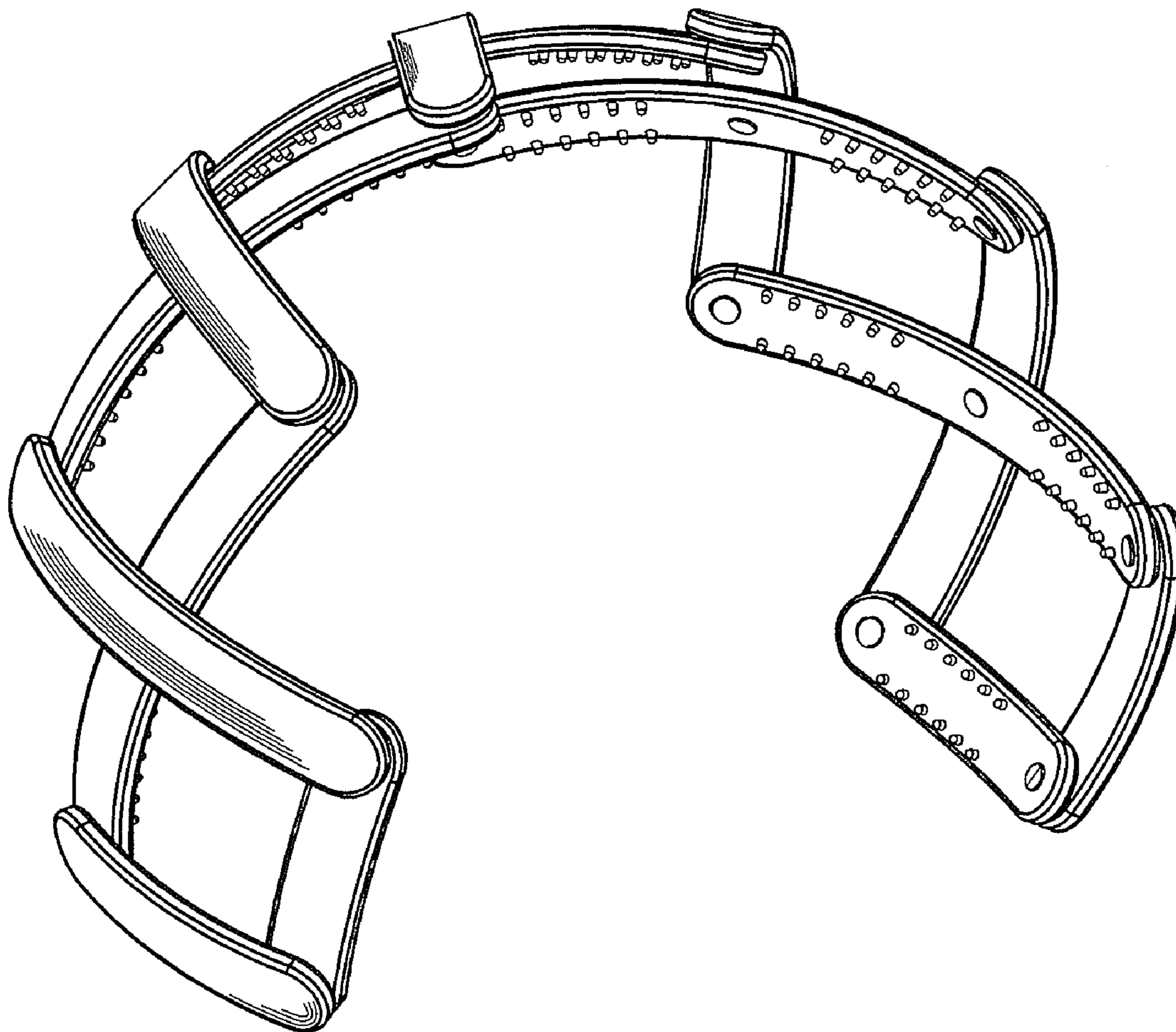
FIG. 8 is a perspective view of a hair hoop in a closed position.

(56) **References Cited**

U.S. PATENT DOCUMENTS

D178,334 S \* 7/1956 Behr ..... D28/41  
D179,754 S \* 2/1957 Behr ..... D28/41

**1 Claim, 8 Drawing Sheets**



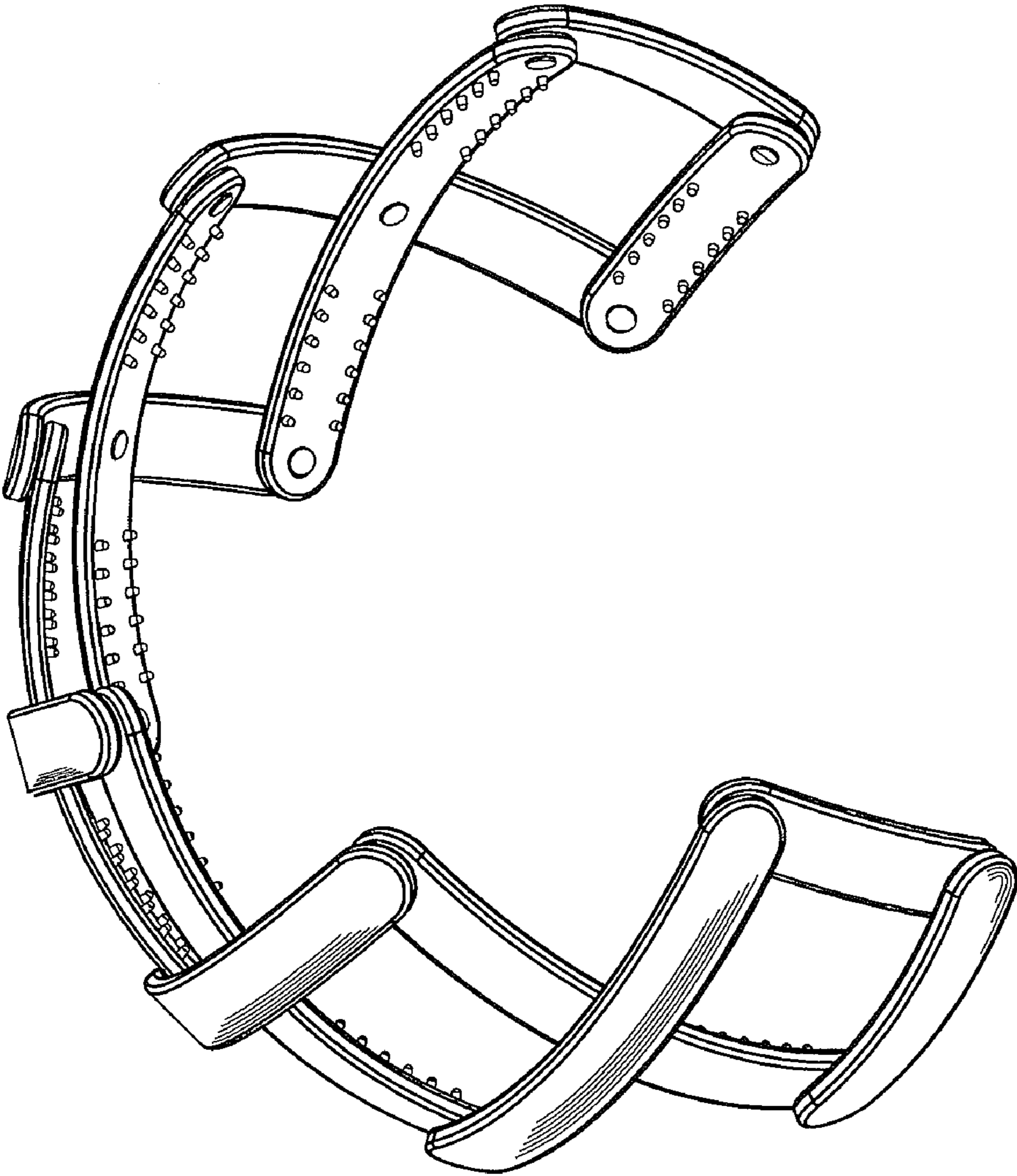


FIG. 1

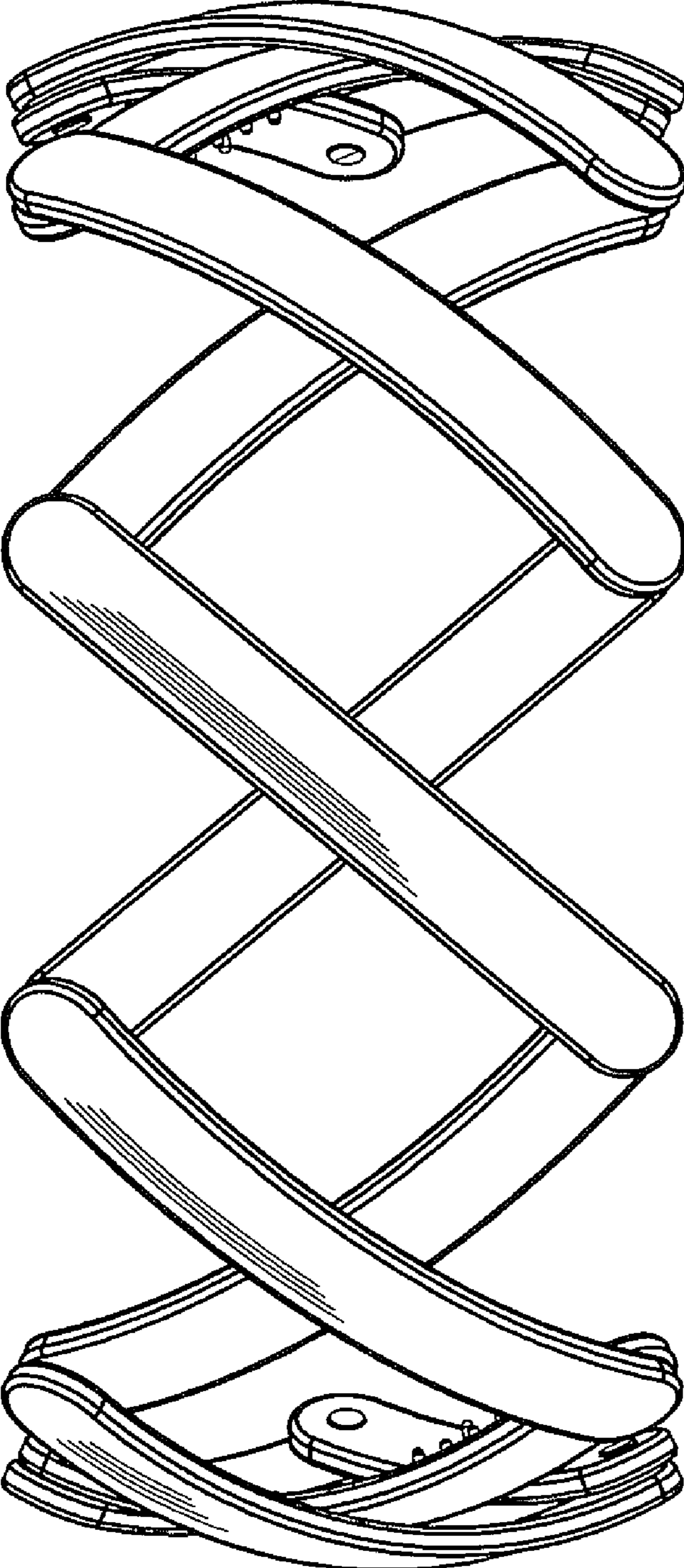


FIG. 2

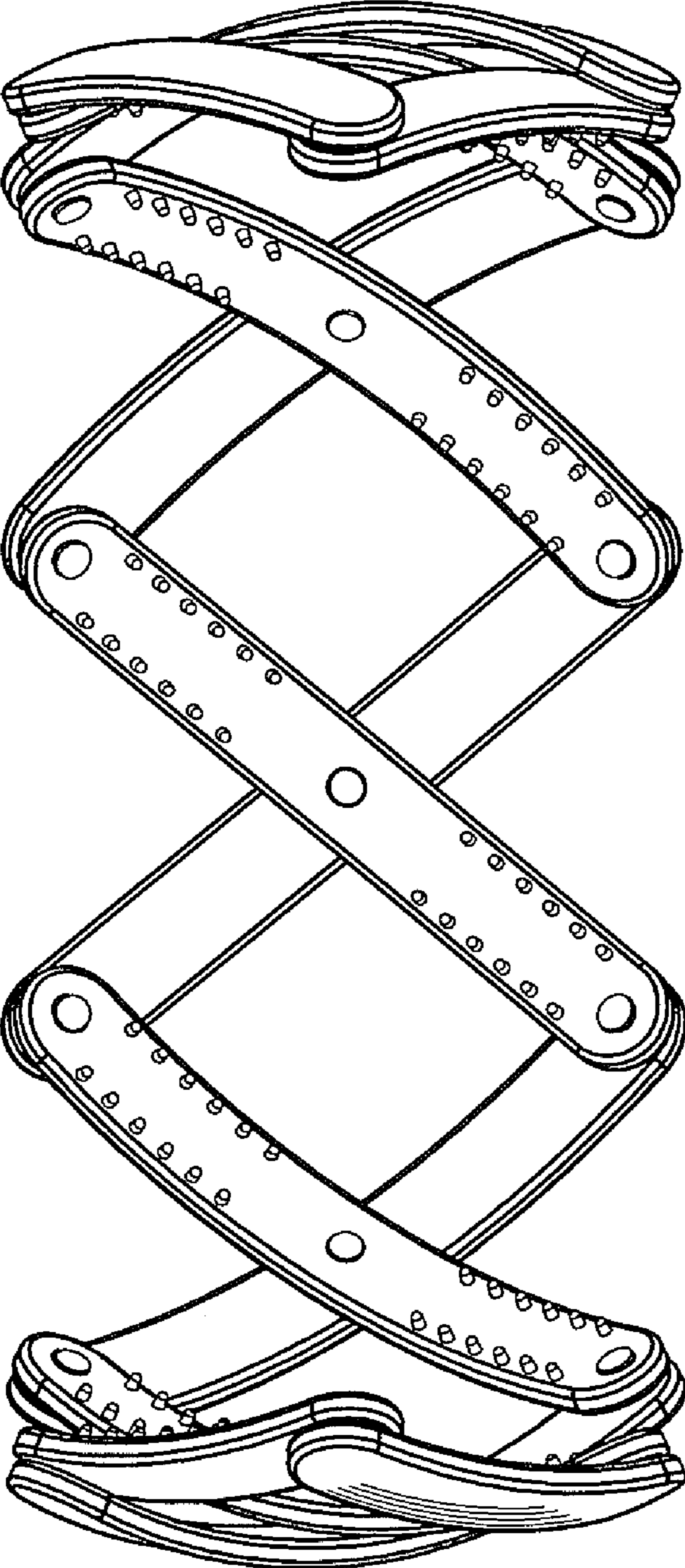


FIG. 3

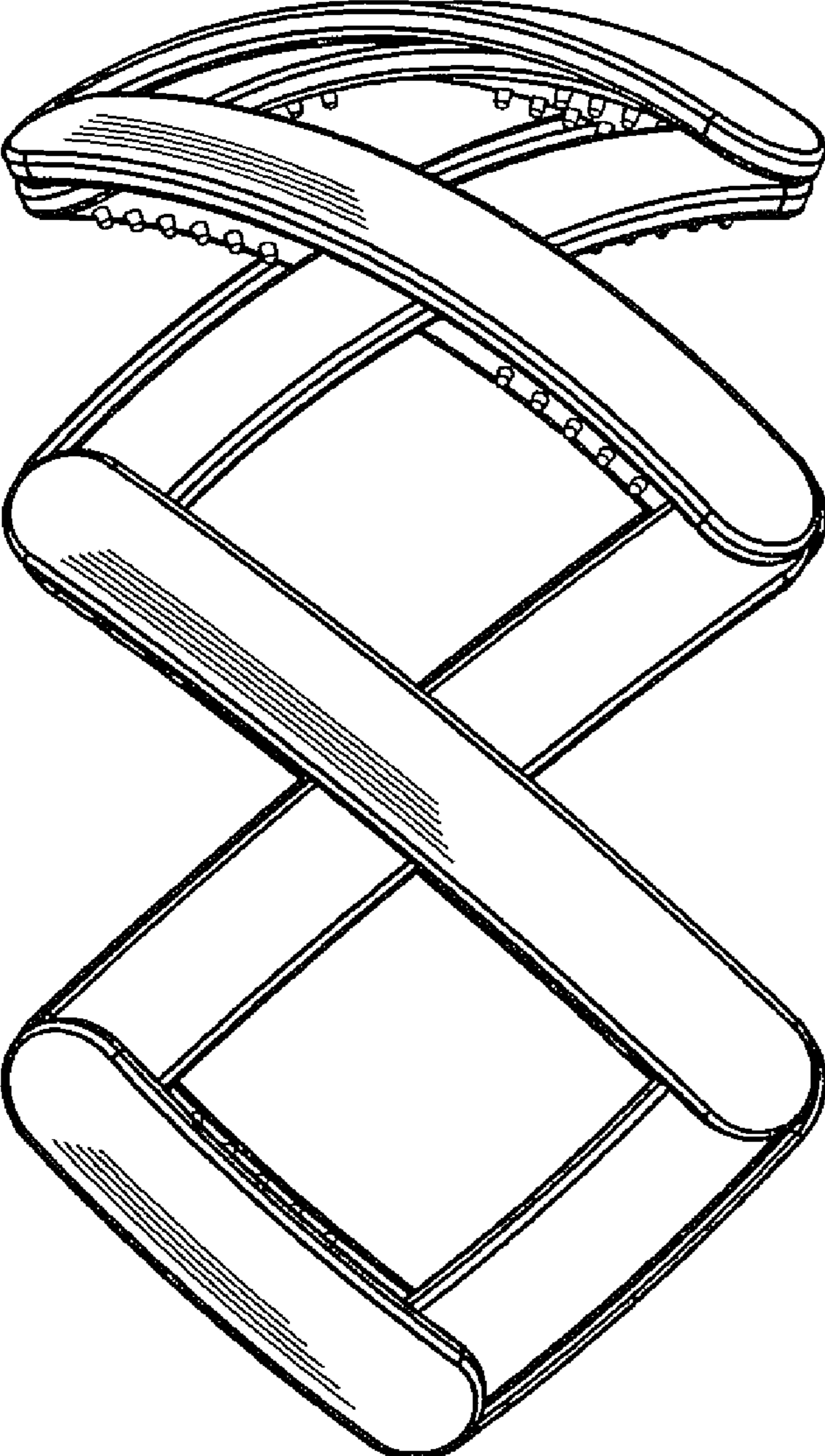


FIG. 4

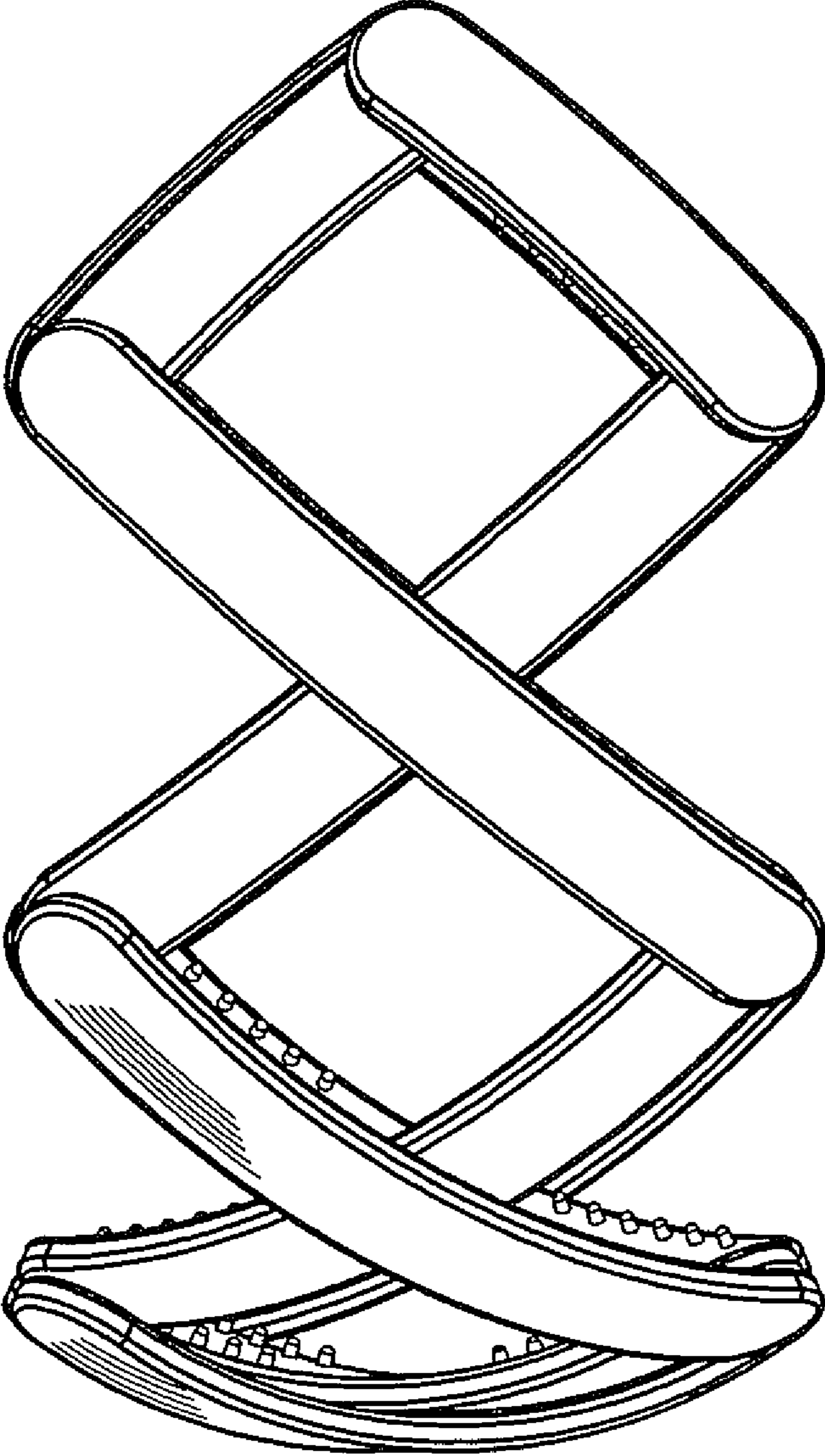


FIG. 5

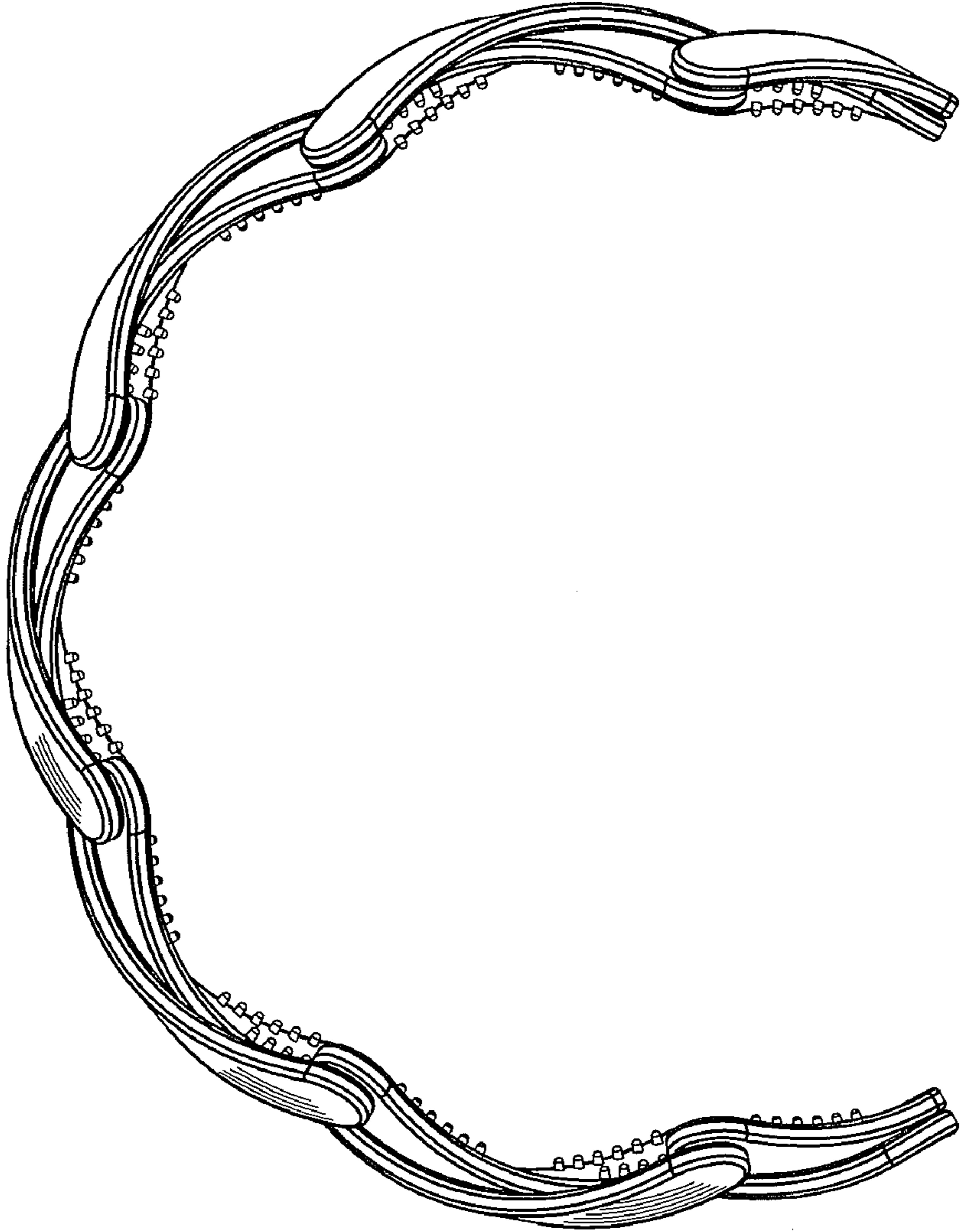


FIG. 6

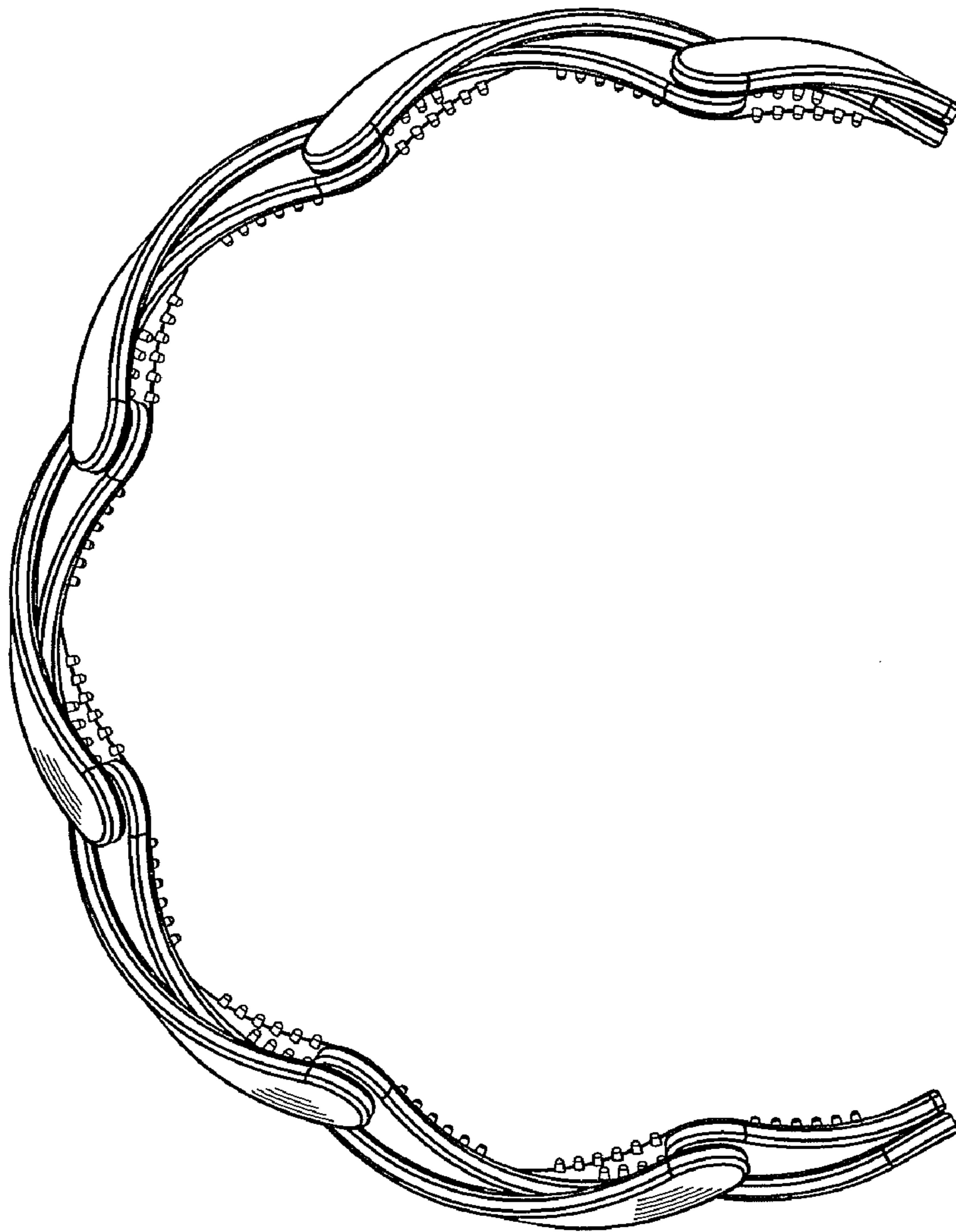


FIG. 7



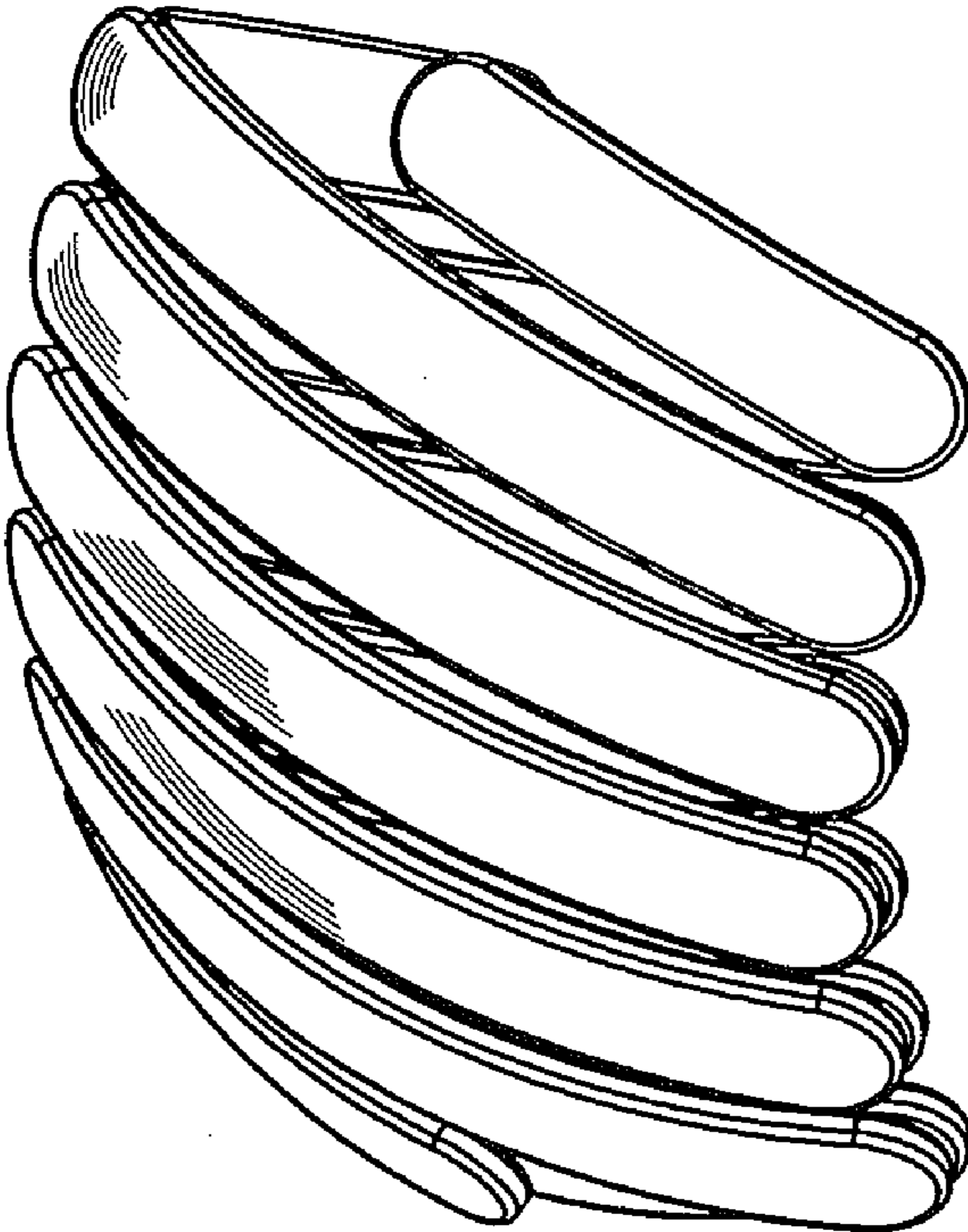


FIG. 8