



US00D676598S

(12) **United States Design Patent**  
**Davidson**

(10) **Patent No.:** **US D676,598 S**  
(45) **Date of Patent:** **\*\* Feb. 19, 2013**

(54) **MOUNTING ASSEMBLY FOR A LIGHT**

(75) Inventor: **Rodney David Davidson**, Brisbane (AU)

(73) Assignee: **Strategic Lighting Pty Ltd** (AU)

(\*\*) Term: **14 Years**

(21) Appl. No.: **29/414,496**

(22) Filed: **Feb. 29, 2012**

(30) **Foreign Application Priority Data**

Sep. 2, 2011 (AU) ..... 13886/2011

(51) **LOC (9) Cl.** ..... **26-99**

(52) **U.S. Cl.** ..... **D26/138**

(58) **Field of Classification Search** ..... D26/1,  
D26/2, 118, 113, 138, 119, 120, 121, 122,  
D26/76, 77, 75, 78, 85, 86, 89, 90, 62, 64,  
D26/65, 66, 63, 73, 72, 74, 68, 71, 28, 123,  
D26/124, 127, 128, 129, 134, 135, 132, 139,  
D26/154, 155, 152, 149, 148, 143, 142, 140,  
D26/141, 153, 144, 91, 92, 29, 24, 25, 26,  
D26/8, 114, 37, 87; 362/202, 347, 349, 362,  
362/419, 96, 192, 145, 294, 326, 267, 373,  
362/249.01-249.12; D13/102, 179, 180

See application file for complete search history.

(56) **References Cited**

**U.S. PATENT DOCUMENTS**

D235,227	S	*	5/1975	Cleary et al.	.....	D26/63
4,489,366	A	*	12/1984	Rozniecki	.....	362/270
D349,777	S	*	8/1994	Kelly et al.	.....	D26/63
D353,986	S	*	1/1995	Maglica	.....	D8/72
D405,202	S	*	2/1999	Fattori et al.	.....	D26/39
D407,518	S	*	3/1999	Yeh	.....	D26/63
6,186,383	B1	*	2/2001	Kobdich	.....	224/420
D447,587	S	*	9/2001	Poon	.....	D26/39
D482,811	S	*	11/2003	Petzl	.....	D26/39

D504,967	S	*	5/2005	Kung	.....	D26/39
D508,140	S	*	8/2005	Sharrah	.....	D26/39
6,926,242	B2	*	8/2005	Hall	.....	248/230.4
D518,209	S	*	3/2006	Nagano et al.	.....	D26/39
D518,210	S	*	3/2006	Nagano et al.	.....	D26/39
D525,734	S	*	7/2006	Shiao	.....	D26/39
D542,450	S	*	5/2007	Shiu	.....	D26/60
D552,775	S	*	10/2007	Shiu	.....	D26/39
D553,277	S	*	10/2007	Ho et al.	.....	D26/39
D557,842	S	*	12/2007	Lee	.....	D26/39
D562,486	S	*	2/2008	Luke	.....	D26/61
D566,871	S	*	4/2008	Kumthampinij et al.	.....	D26/60
D582,593	S	*	12/2008	Cheng	.....	D26/63
D602,185	S	*	10/2009	Chang	.....	D26/36
D605,319	S	*	12/2009	Devaney et al.	.....	D26/39
D615,680	S	*	5/2010	Kim	.....	D26/39
D633,240	S	*	2/2011	Cheng	.....	D26/60
8,148,912	B2	*	4/2012	Kim	.....	315/291
2002/0034073	A1	*	3/2002	Halasz	.....	362/197
2010/0097789	A1	*	4/2010	Sharrah et al.	.....	362/110

\* cited by examiner

*Primary Examiner* — Kevin Rudzinski

(74) *Attorney, Agent, or Firm* — Cantor Colburn LLP

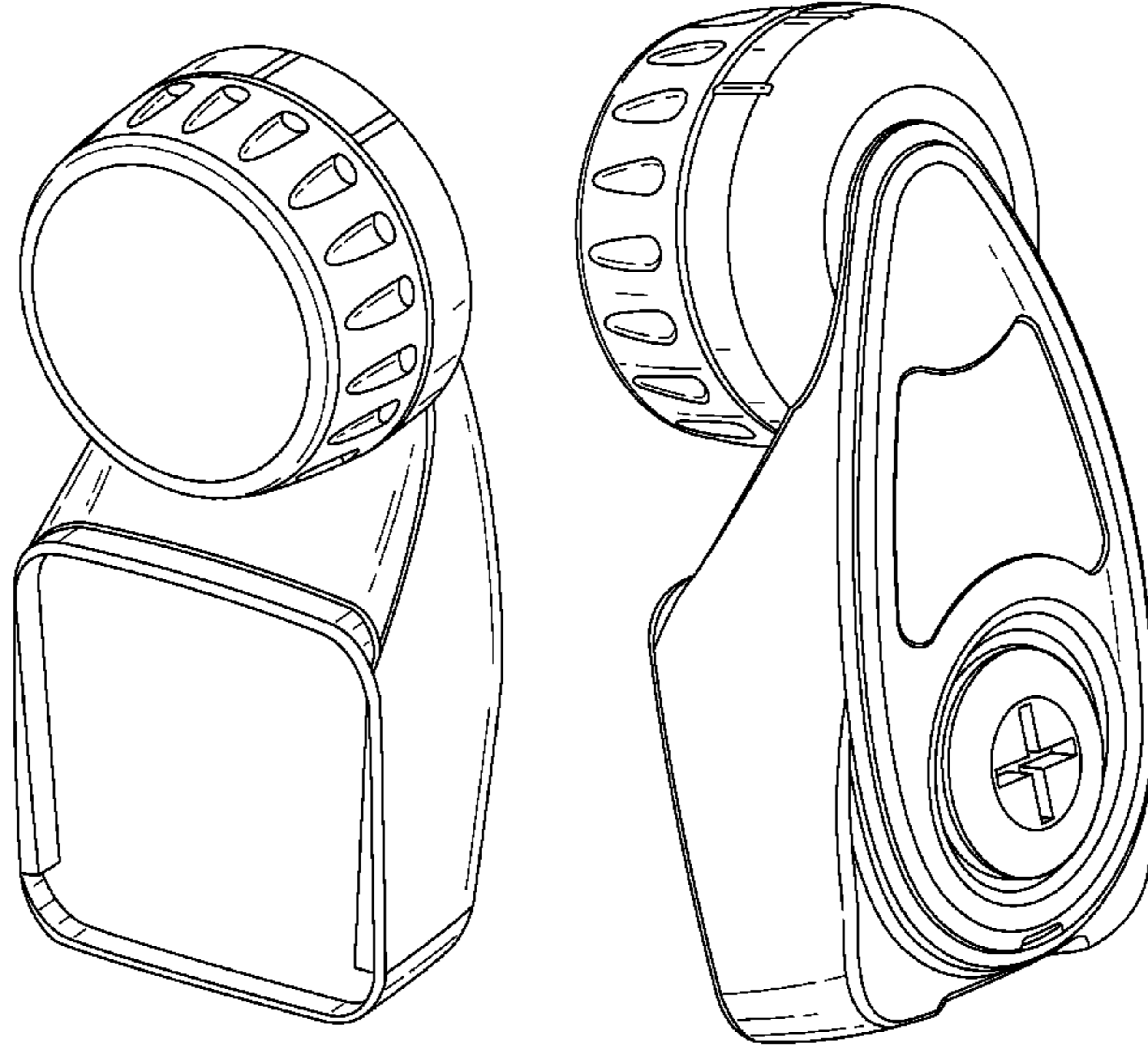
(57) **CLAIM**

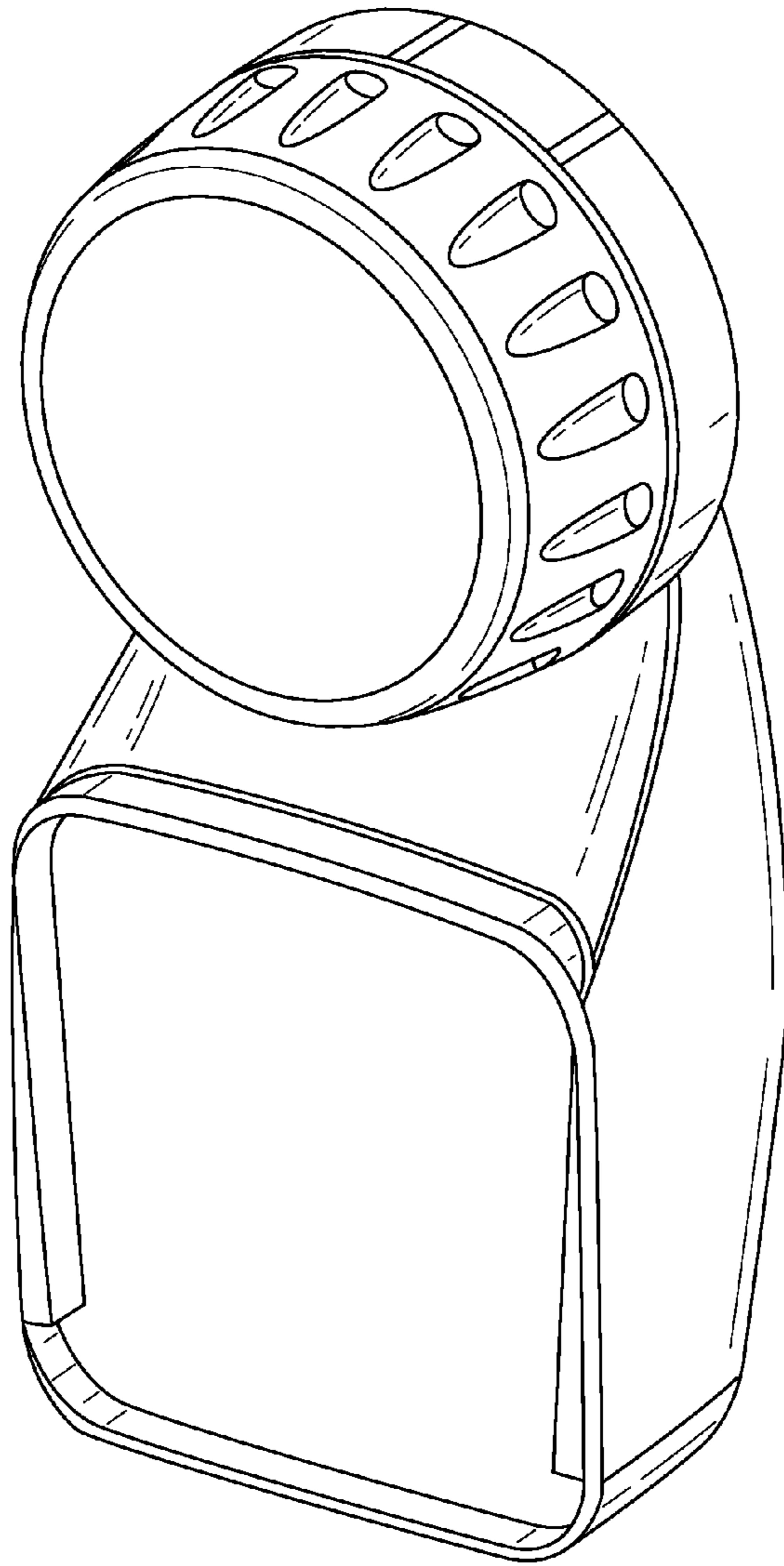
I claim, the ornamental design for a mounting assembly for a light, as shown and described.

**DESCRIPTION**

FIG. 1 is a front perspective view of a mounting assembly for a light, showing my new design;  
FIG. 2 is a rear perspective view thereof;  
FIG. 3 is a top plan view thereof;  
FIG. 4 is a side elevation view thereof, the opposite side view being a mirror image thereof;  
FIG. 5 is a bottom plan view thereof;  
FIG. 6 is a front elevation view thereof; and,  
FIG. 7 is a rear elevation view thereof.

**1 Claim, 6 Drawing Sheets**





**FIG. 1**

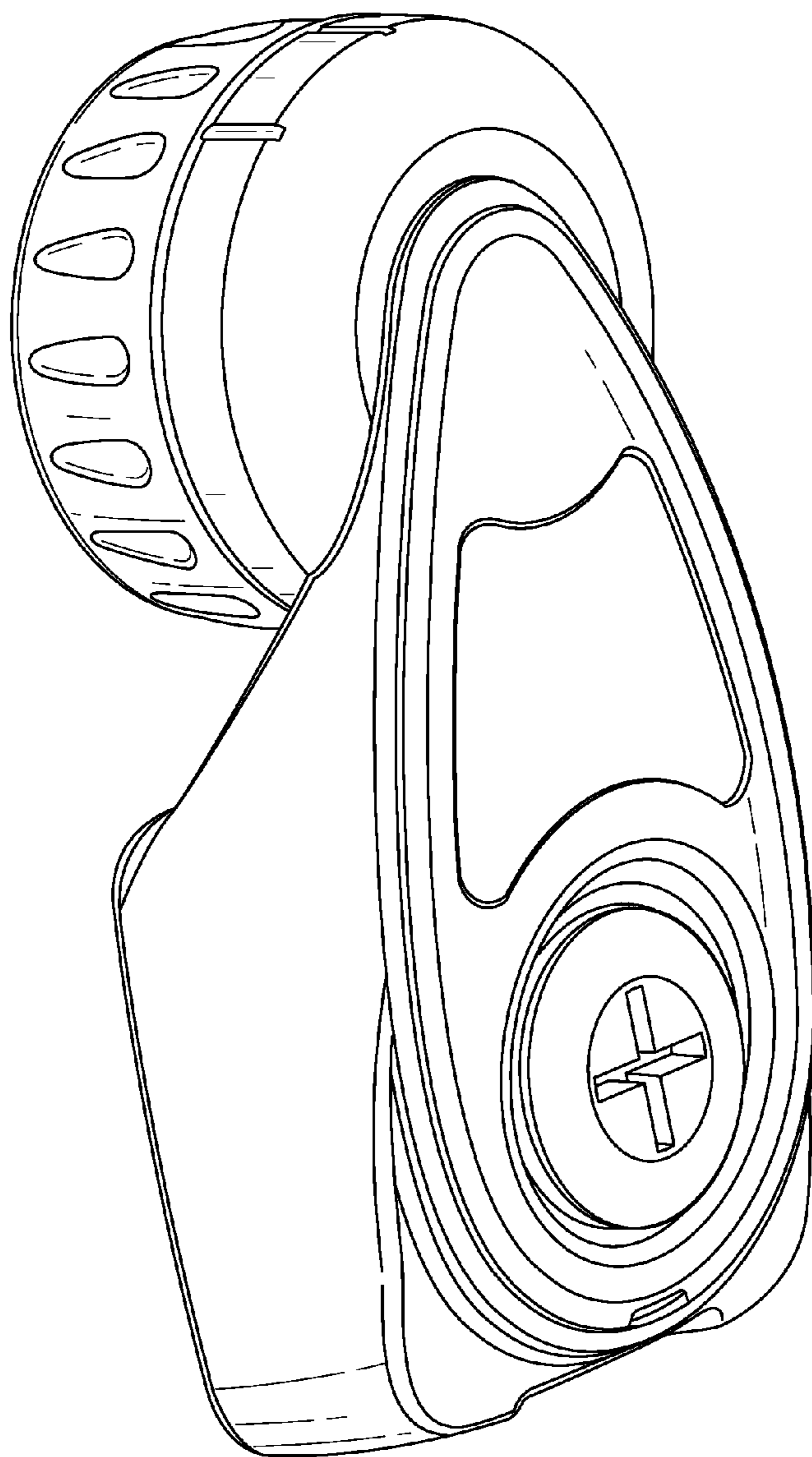
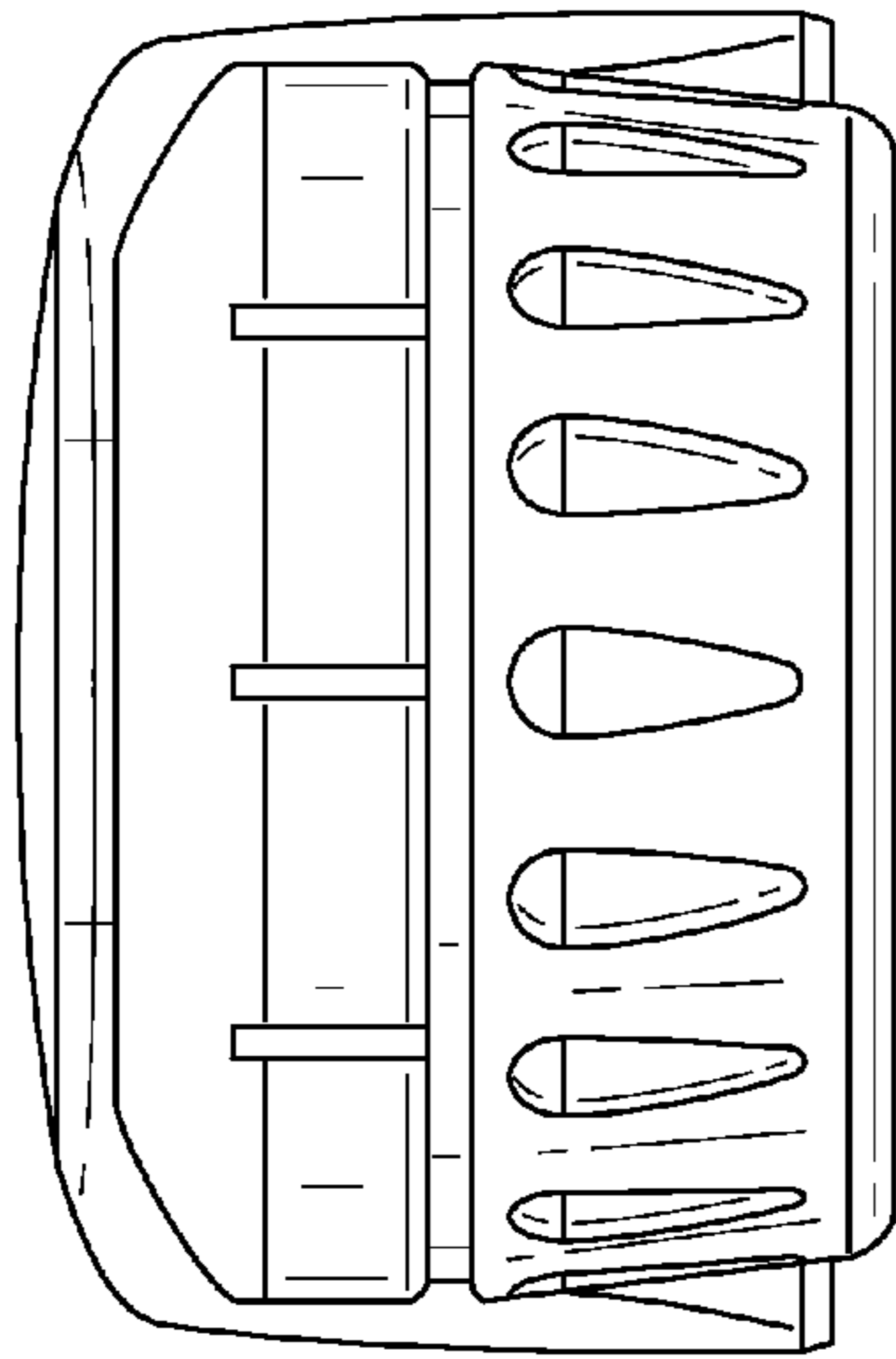
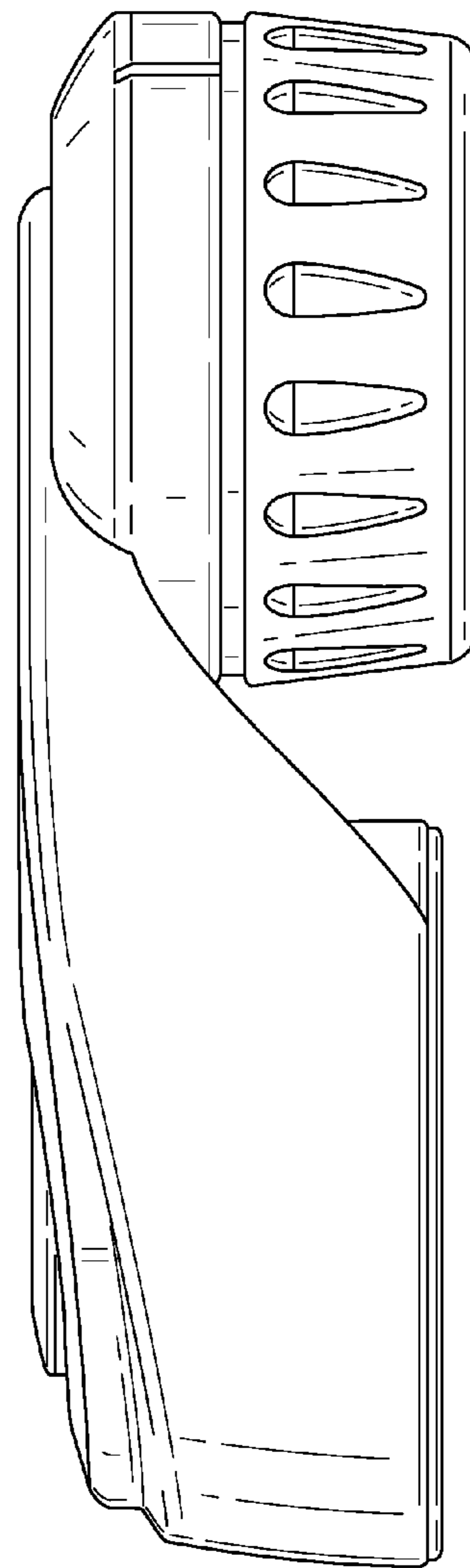


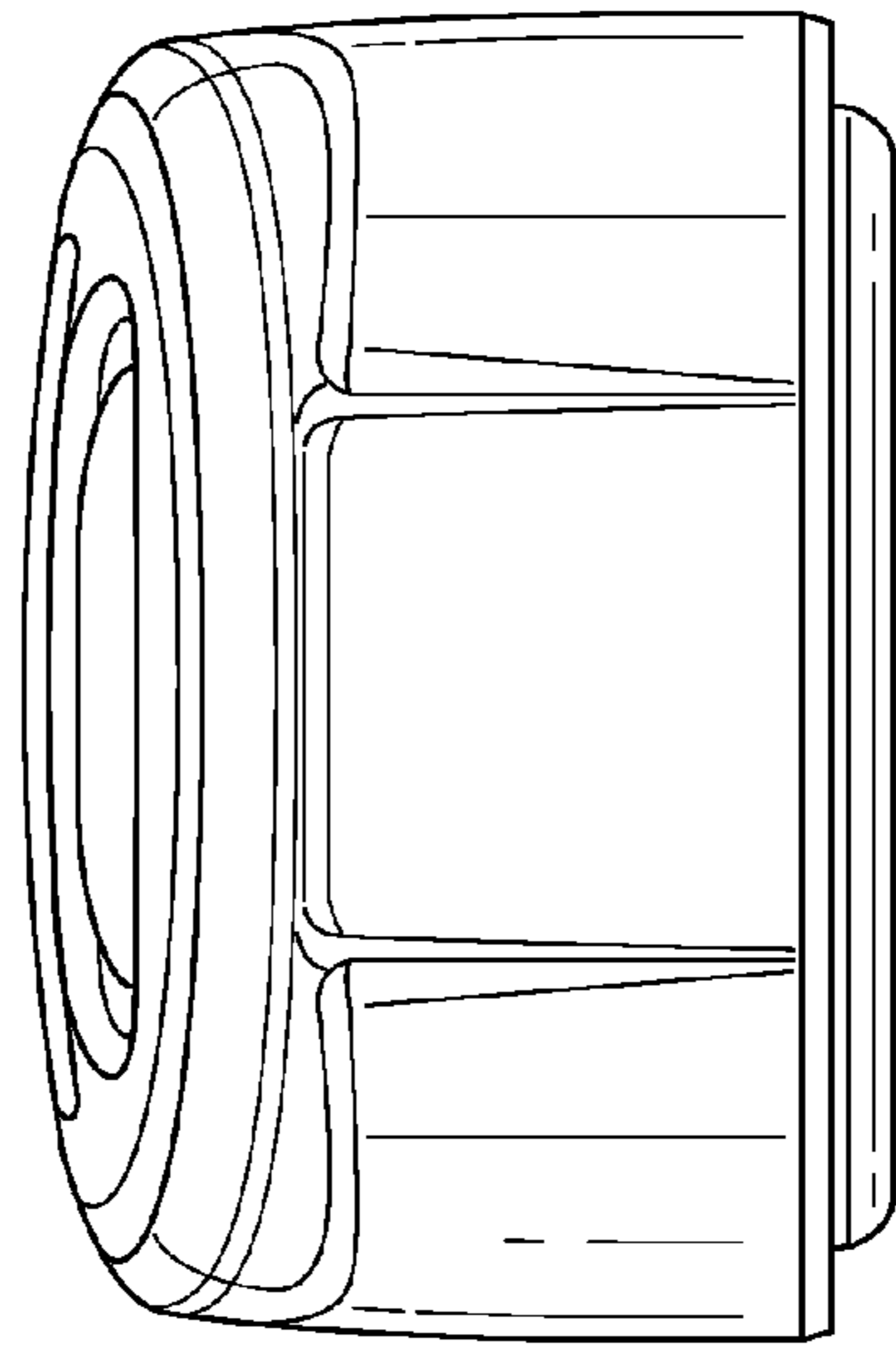
FIG. 2



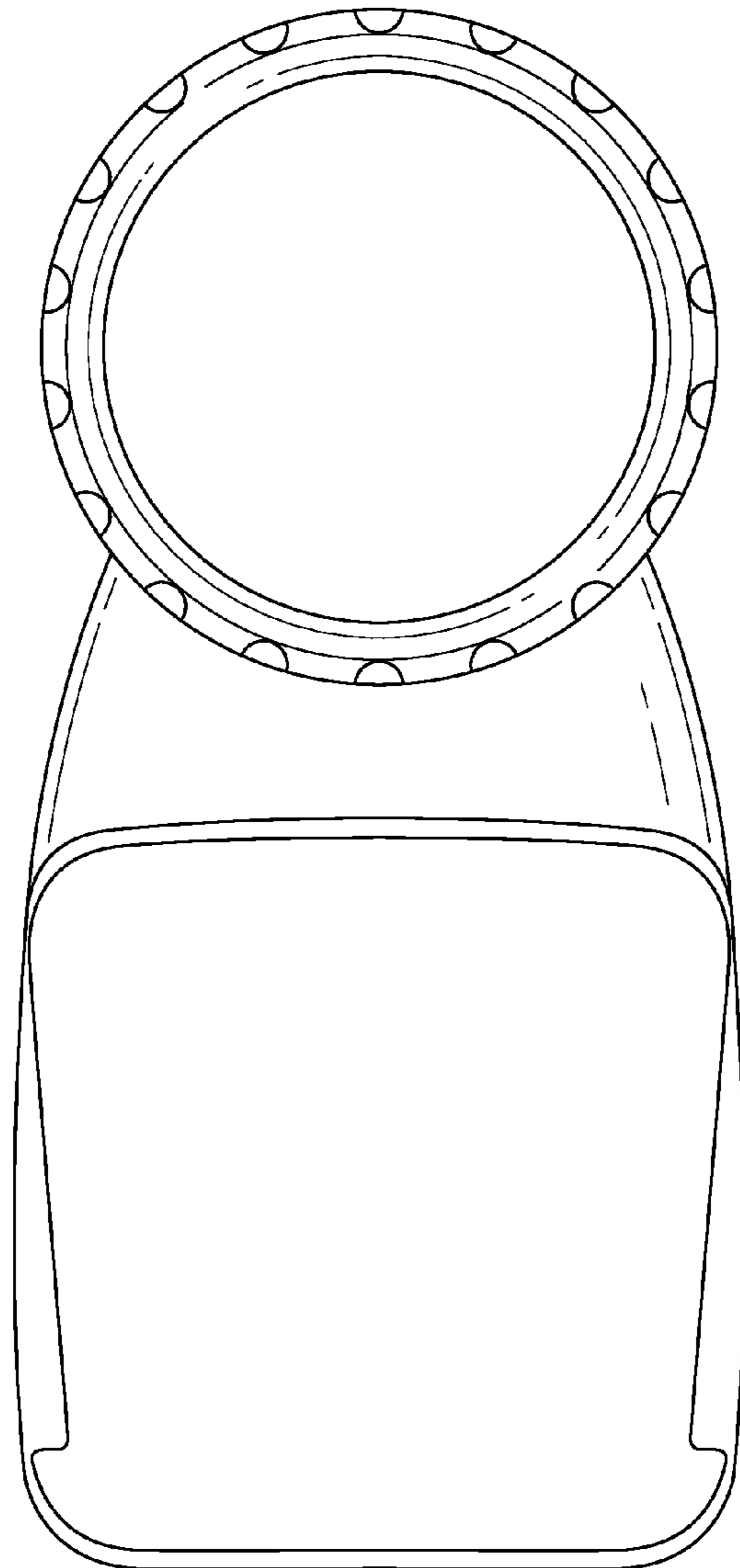
**FIG. 3**



**FIG. 4**

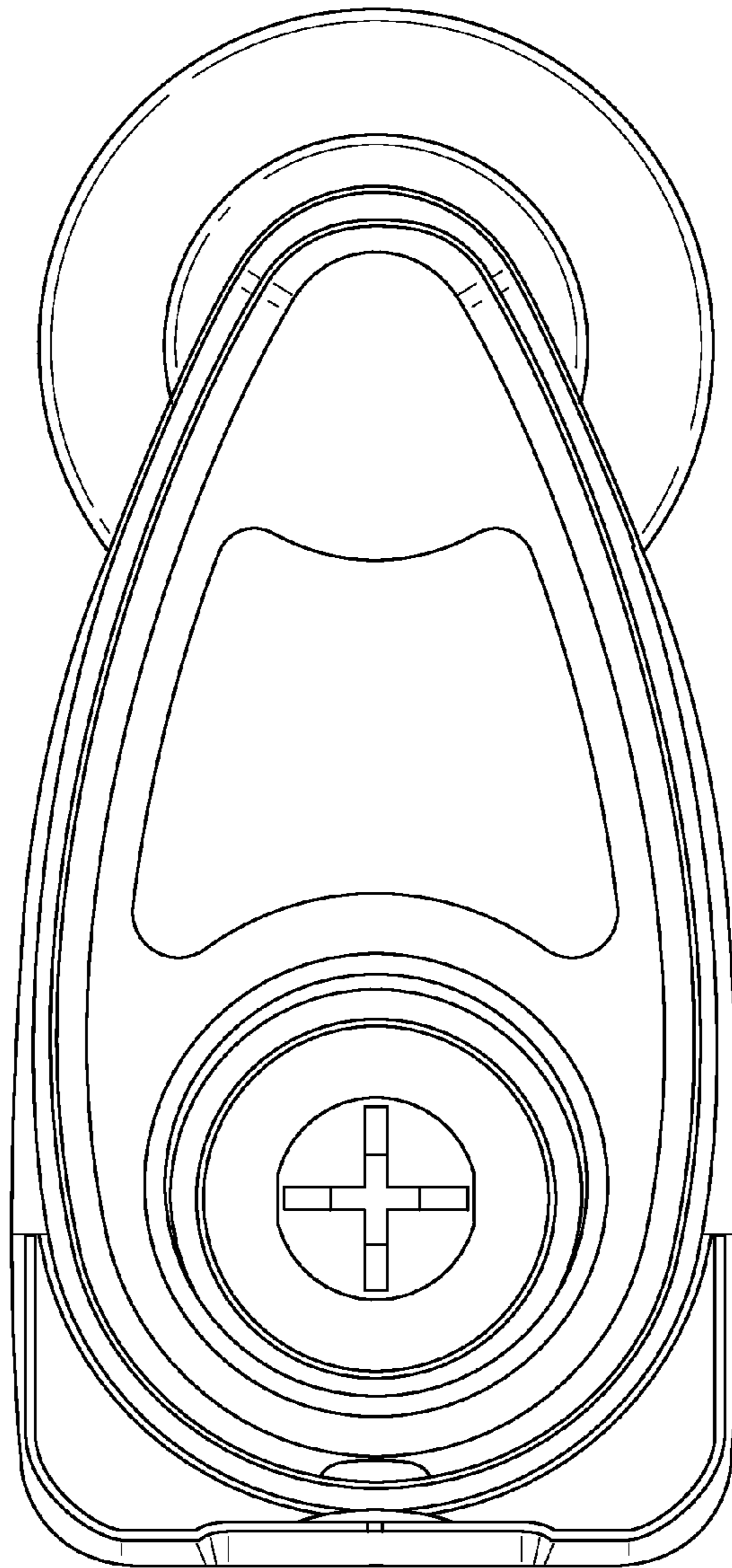


**FIG. 5**



**FIG. 6**





**FIG. 7**