



US00D676597S

(12) **United States Design Patent**
Zhu et al.

(10) **Patent No.:** **US D676,597 S**
(45) **Date of Patent:** **** Feb. 19, 2013**

(54) **LIGHTING FIXTURE**

(75) Inventors: **Ming-Wei Zhu**, New Taipei (TW);
Yunquan Liu, New Taipei (TW)

(73) Assignee: **Asia Vital Components Co., Ltd.**, New Taipei (TW)

(**) Term: **14 Years**

(21) Appl. No.: **29/422,013**

(22) Filed: **May 15, 2012**

(51) **LOC (9) Cl.** **26-99**

(52) **U.S. Cl.** **D26/131**

(58) **Field of Classification Search** D26/1,
D26/2, 118, 113, 138, 119, 120, 121, 122,
D26/76, 77, 75, 78, 85, 86, 89, 90, 62, 64,
D26/65, 66, 63, 73, 72, 74, 68, 71, 28, 123,
D26/124, 127, 128, 129, 134, 135, 132, 139,
D26/154, 155, 152, 149, 148, 145, 143, 142,
D26/140, 141, 153, 144, 91, 92, 29, 24, 25,
D26/26, 8, 114, 37, 87, 131, 136, 137; 362/202,
362/347, 349, 362, 419, 96, 192, 145, 294,
362/326, 267, 373, 249.01-249.12, 147,
362/146, 149; D13/102, 179, 180
See application file for complete search history.

(56) **References Cited**

U.S. PATENT DOCUMENTS

4,851,973	A	*	7/1989	Layne	362/147
D316,156	S	*	4/1991	Gecchelin	D26/63
D369,877	S	*	5/1996	Lupien	D26/64
D370,076	S	*	5/1996	Lecluze	D26/63
D379,543	S	*	5/1997	Lin	D26/63
D384,430	S	*	9/1997	Lecluze	D26/24

D399,585	S	*	10/1998	Giese et al.	D26/63
D437,651	S	*	2/2001	Tang	D26/63
D443,710	S	*	6/2001	Chiu	D26/63
D448,508	S	*	9/2001	Benghozi	D26/63
D560,839	S	*	1/2008	Tseng	D26/63
D564,119	S	*	3/2008	Metlen	D26/63
D566,873	S	*	4/2008	Grundl et al.	D26/63
D587,832	S	*	3/2009	Bergmann et al.	D26/63
D619,288	S	*	7/2010	Mier-Langner et al.	D26/63
D625,871	S	*	10/2010	Huang	D26/63
D648,056	S	*	11/2011	Muehlhaeusler et al.	D26/63

* cited by examiner

Primary Examiner — Kevin Rudzinski

(74) *Attorney, Agent, or Firm* — C. G. Mersereau; Nikolai & Mersereau, P.A.

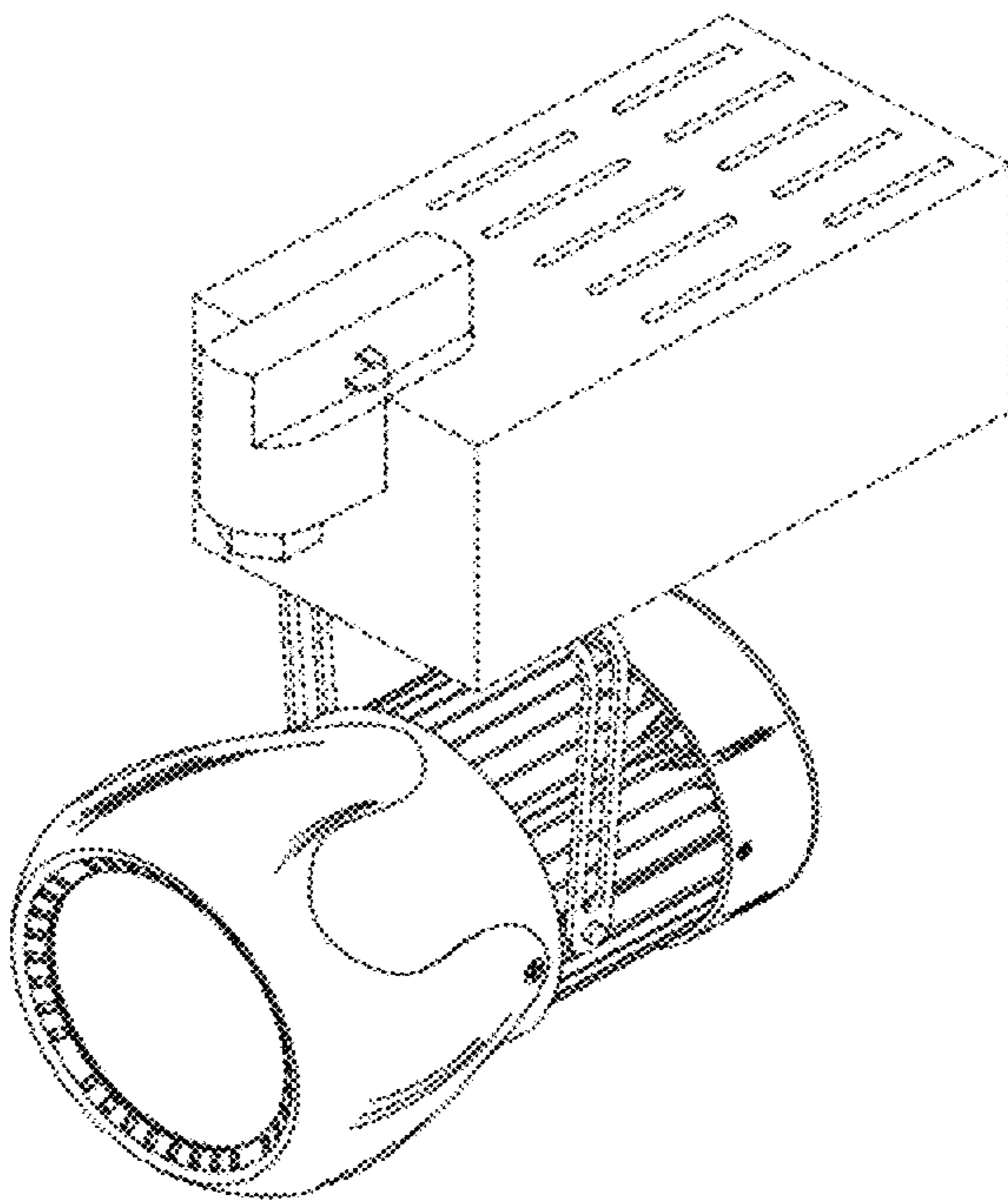
(57) **CLAIM**

The ornamental design for a lighting fixture, as shown and described.

DESCRIPTION

FIG. 1 is a perspective view of a lighting fixture showing my design;
FIG. 2 is a top plan view thereof;
FIG. 3 is a bottom view thereof;
FIG. 4 is a left view thereof;
FIG. 5 is a right view thereof;
FIG. 6 is a front view thereof;
FIG. 7 is a rear view thereof; and,
FIG. 8 is a perspective view thereof in which the lighting fixture is connected with a connecting device.
The broken line illustration of a connecting device in FIG. 8 illustrates environmental structure and forms no part of the claimed design.

1 Claim, 8 Drawing Sheets



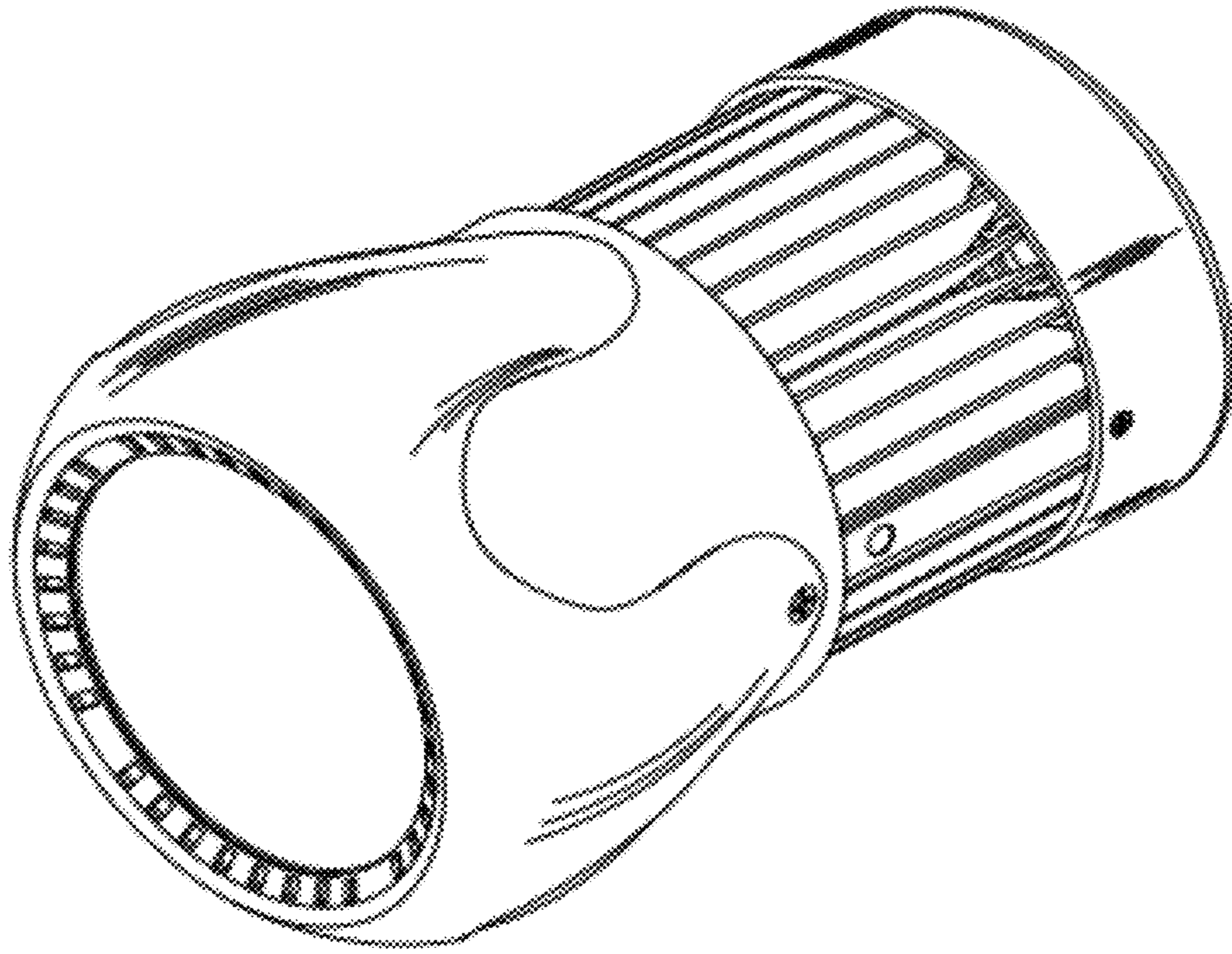


Fig. 1

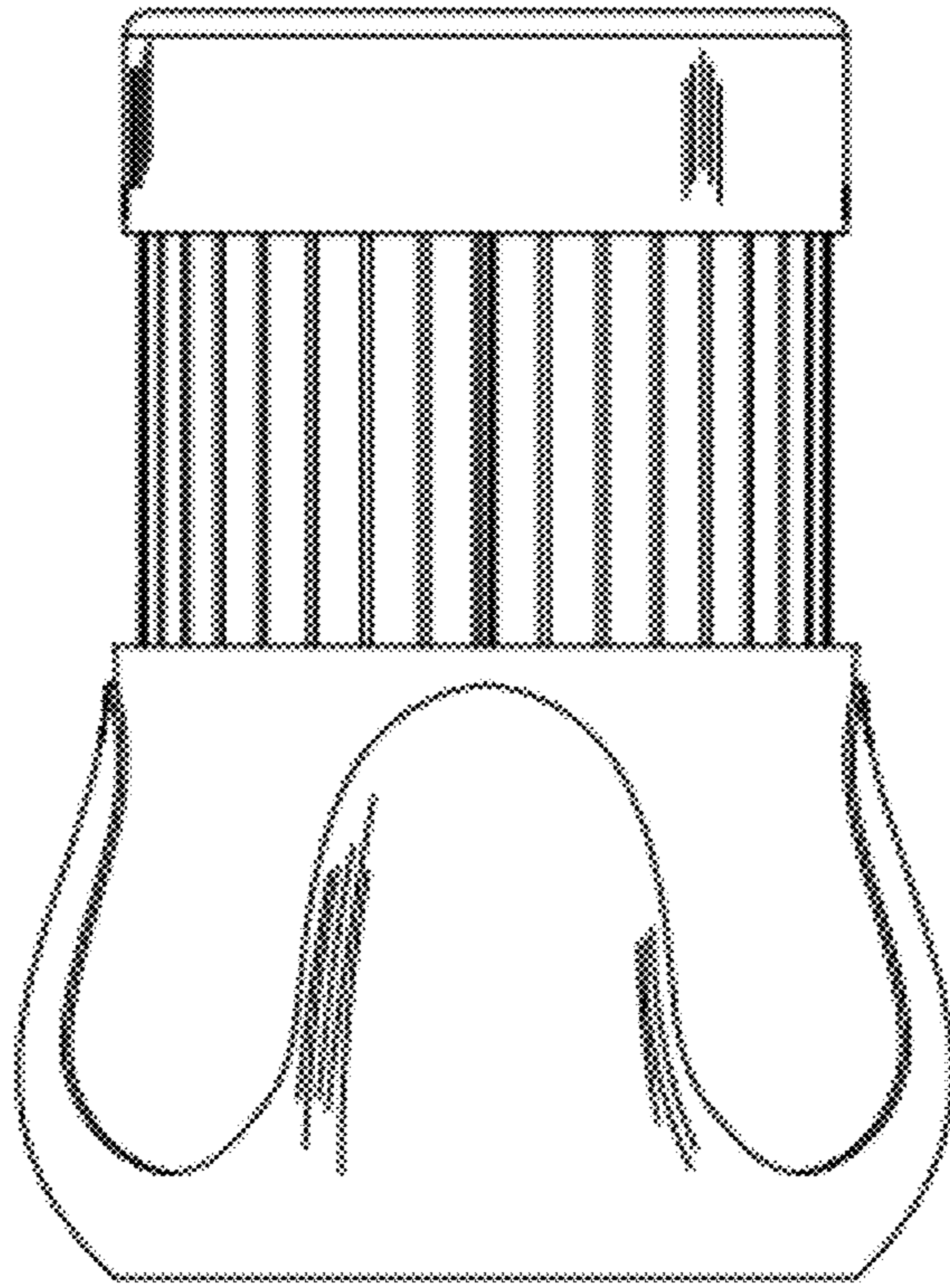


Fig. 2

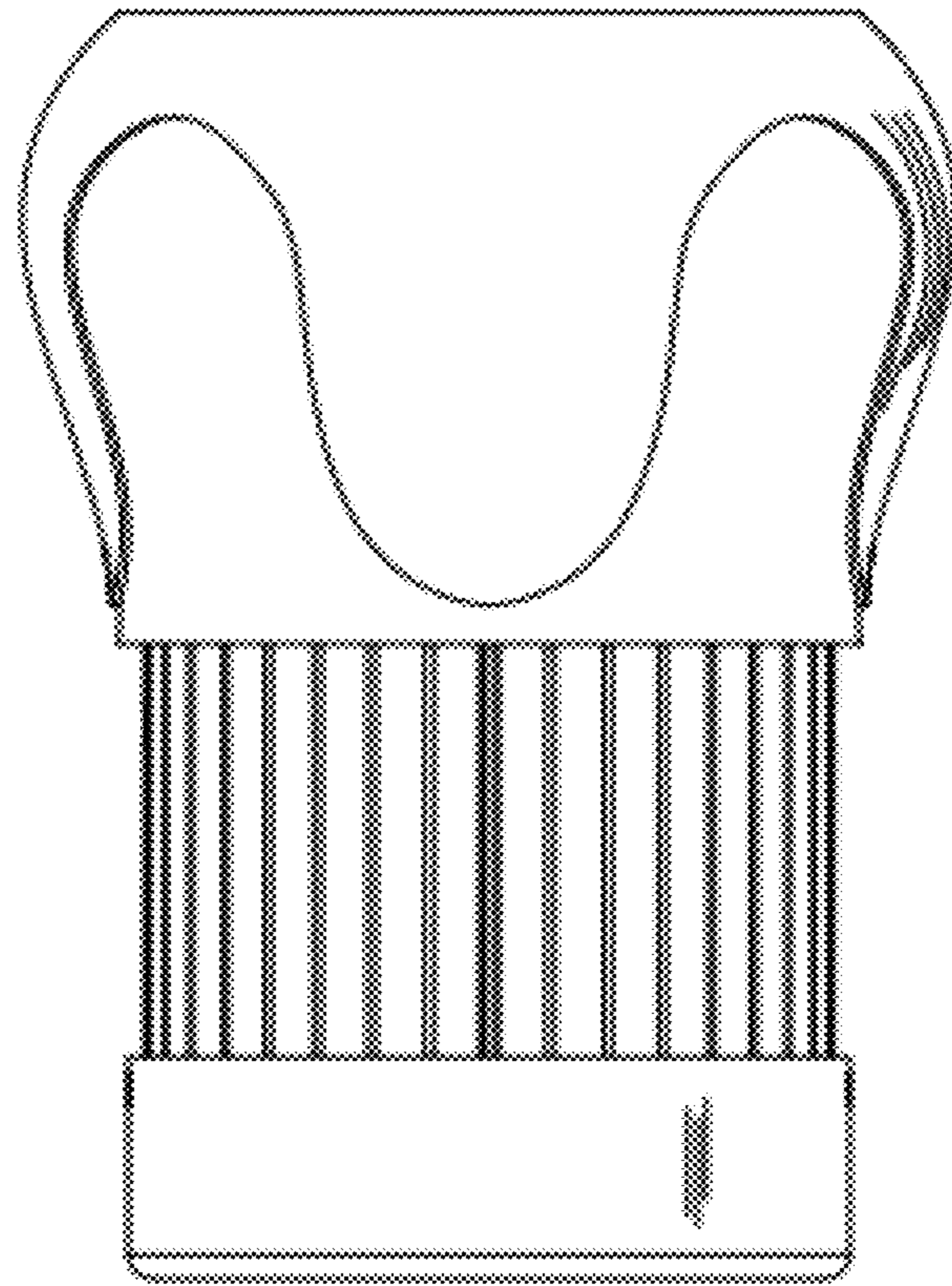


Fig. 3

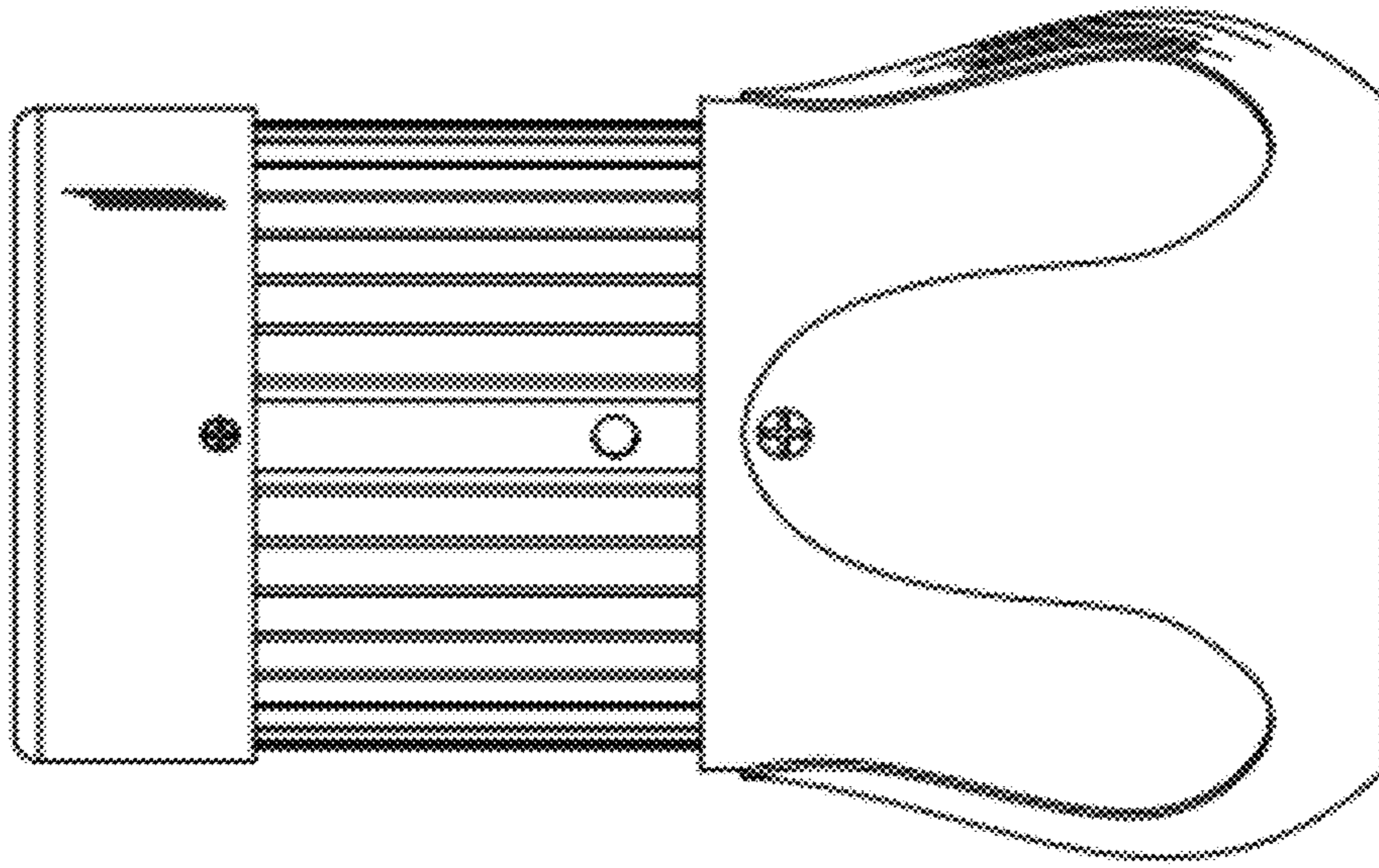


Fig. 4

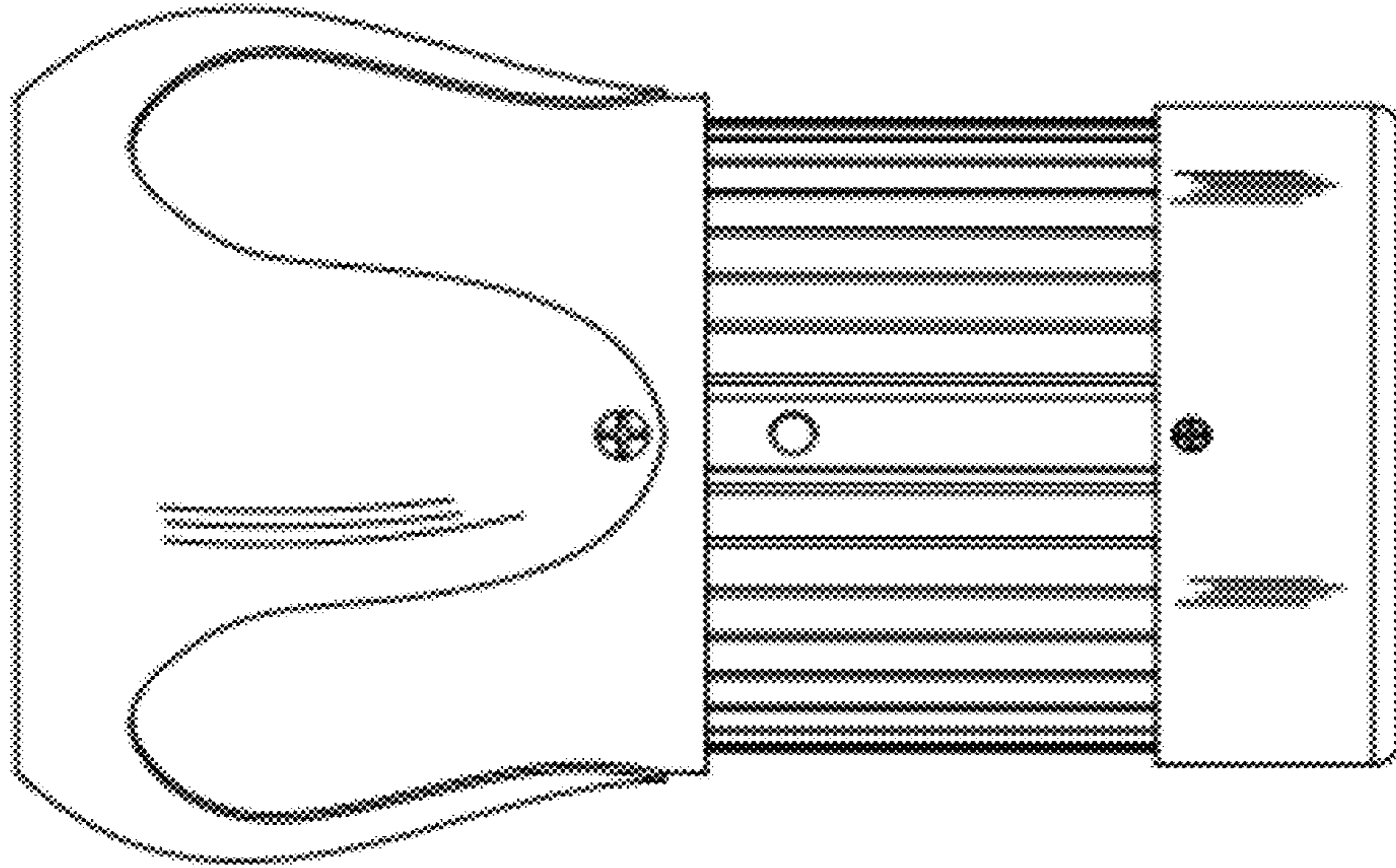


Fig. 5

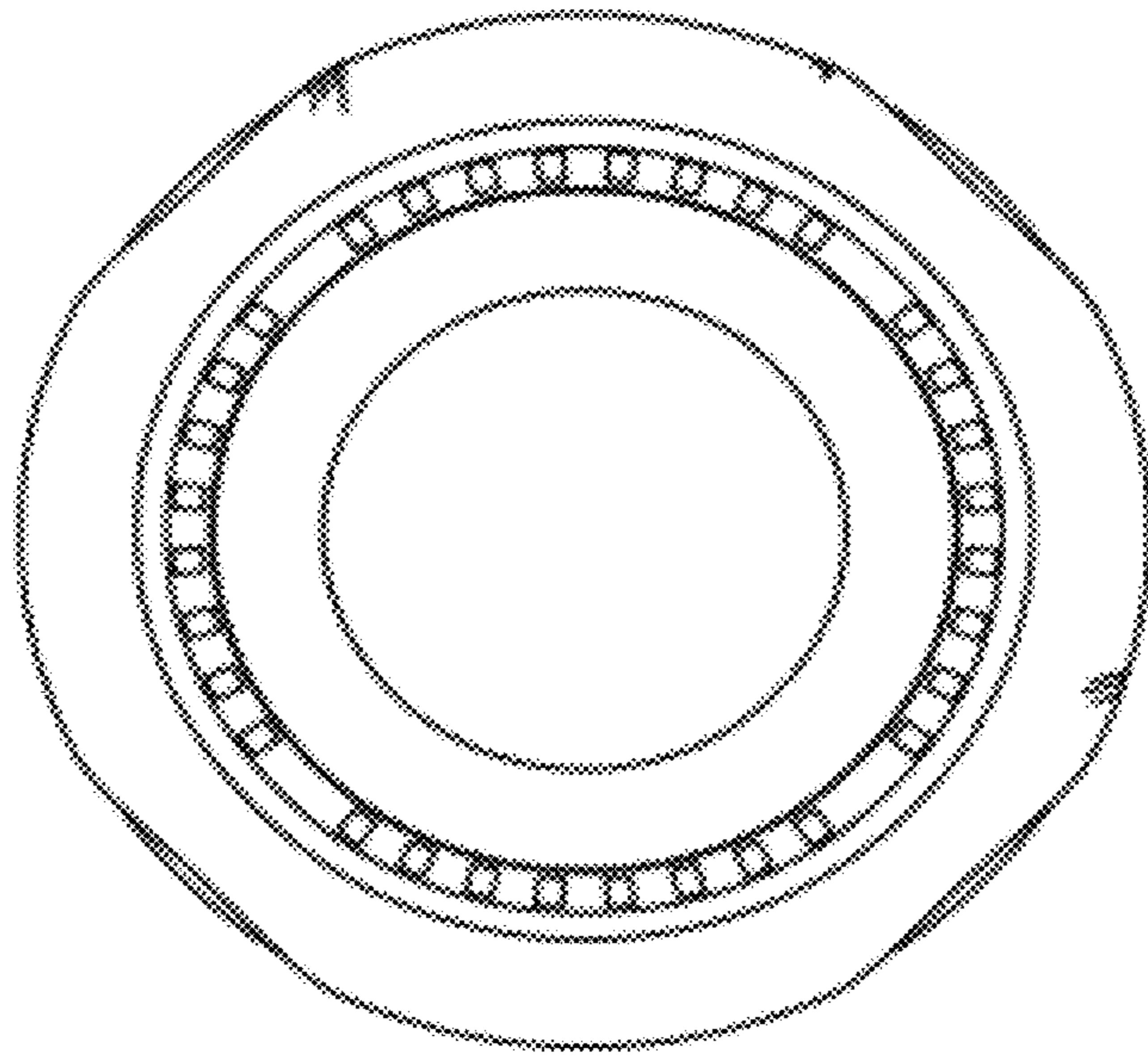


Fig. 6

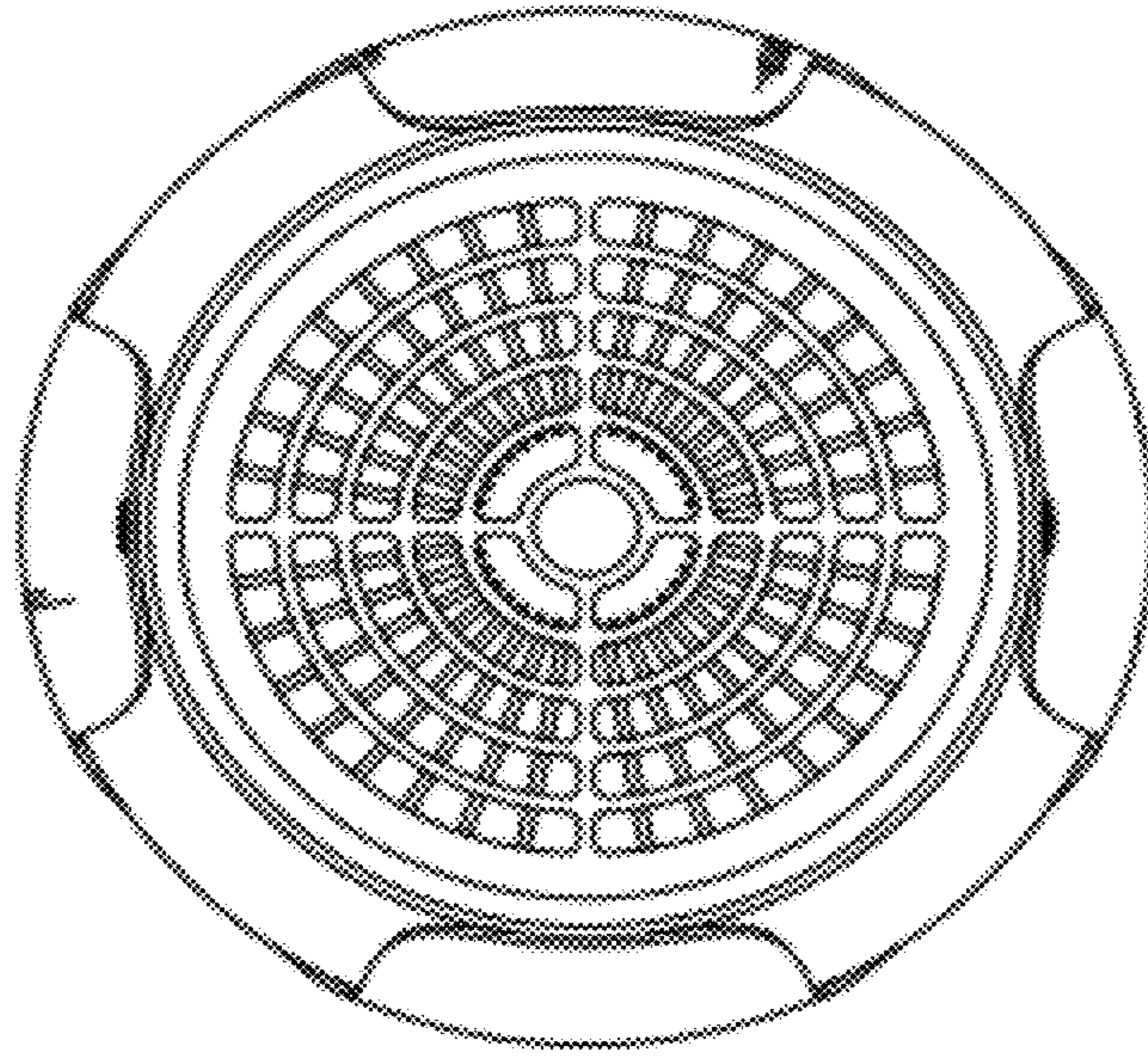


Fig. 7

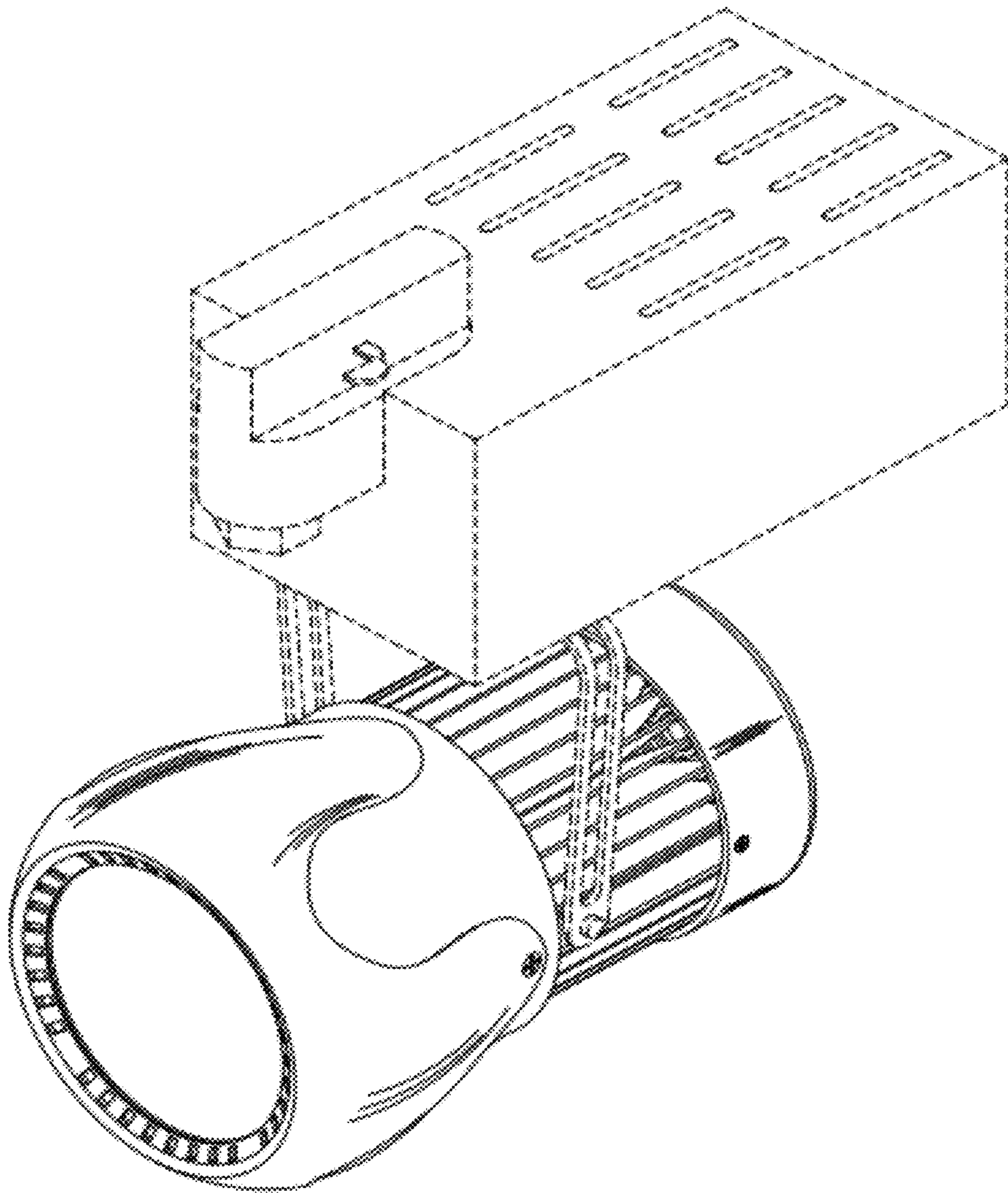


Fig. 8