



US00D676595S

(12) **United States Design Patent**
Giacomazzi et al.

(10) **Patent No.:** **US D676,595 S**

(45) **Date of Patent:** **** Feb. 19, 2013**

(54) **LIGHTING APPARATUS**

(75) Inventors: **Marco Giacomazzi**, Calderara di Reno (IT); **Marco Bassani**, Lugo (IT)

(73) Assignee: **Datalogic IP Tech S.r.l.** (IT)

(**) Term: **14 Years**

(21) Appl. No.: **29/422,350**

(22) Filed: **May 18, 2012**

(30) **Foreign Application Priority Data**

Nov. 21, 2011 (EM) 001950445-0001

(51) **LOC (9) Cl.** **26-99**

(52) **U.S. Cl.** **D26/118**

(58) **Field of Classification Search** D26/1,
D26/2, 118, 113, 138, 119, 120, 121, 122,
D26/76, 77, 75, 78, 85, 86, 89, 90, 62, 64,
D26/65, 66, 63, 73, 72, 74, 68, 71, 28, 123,
D26/124, 127, 128, 129, 134, 135, 132, 139,
D26/154, 155, 152, 149, 148, 145, 143, 142,
D26/140, 141, 153, 144, 91, 92, 29, 24, 25,
D26/26, 8, 114, 37, 87; 362/202, 347, 349,
362/362, 419, 96, 192, 145, 294, 326, 267,
362/373, 249.01–249.12; D13/102, 179,
D13/180

See application file for complete search history.

(56) **References Cited**

U.S. PATENT DOCUMENTS

D353,474 S *	12/1994	Shyan	D26/63
D354,823 S *	1/1995	Tsai	D26/28
D355,502 S *	2/1995	Liao	D26/67
D357,548 S *	4/1995	Mattijssen	D26/63
D360,962 S *	8/1995	Cornell et al.	D26/67
D365,408 S *	12/1995	Lui	D26/63
D380,568 S *	7/1997	Landy	D26/63
D407,836 S *	4/1999	Leen	D26/63
D564,688 S *	3/2008	Korpi	D26/63
D574,102 S *	7/2008	Quiogue et al.	D26/63
D610,734 S *	2/2010	Ward et al.	D26/74
D635,712 S *	4/2011	Leen	D26/118
D642,721 S *	8/2011	Li et al.	D26/63
D657,483 S *	4/2012	Leen	D26/37

* cited by examiner

Primary Examiner — Kevin Rudzinski

(74) *Attorney, Agent, or Firm* — Laubscher & Laubscher, P.C.

(57) **CLAIM**

The ornamental design for a lighting apparatus, as shown.

DESCRIPTION

FIG. 1 is a front perspective view of the invention illustrating our design;

FIG. 2 is a rear perspective view thereof;

FIG. 3 is a front elevation view thereof;

FIG. 4 is a rear elevation view thereof;

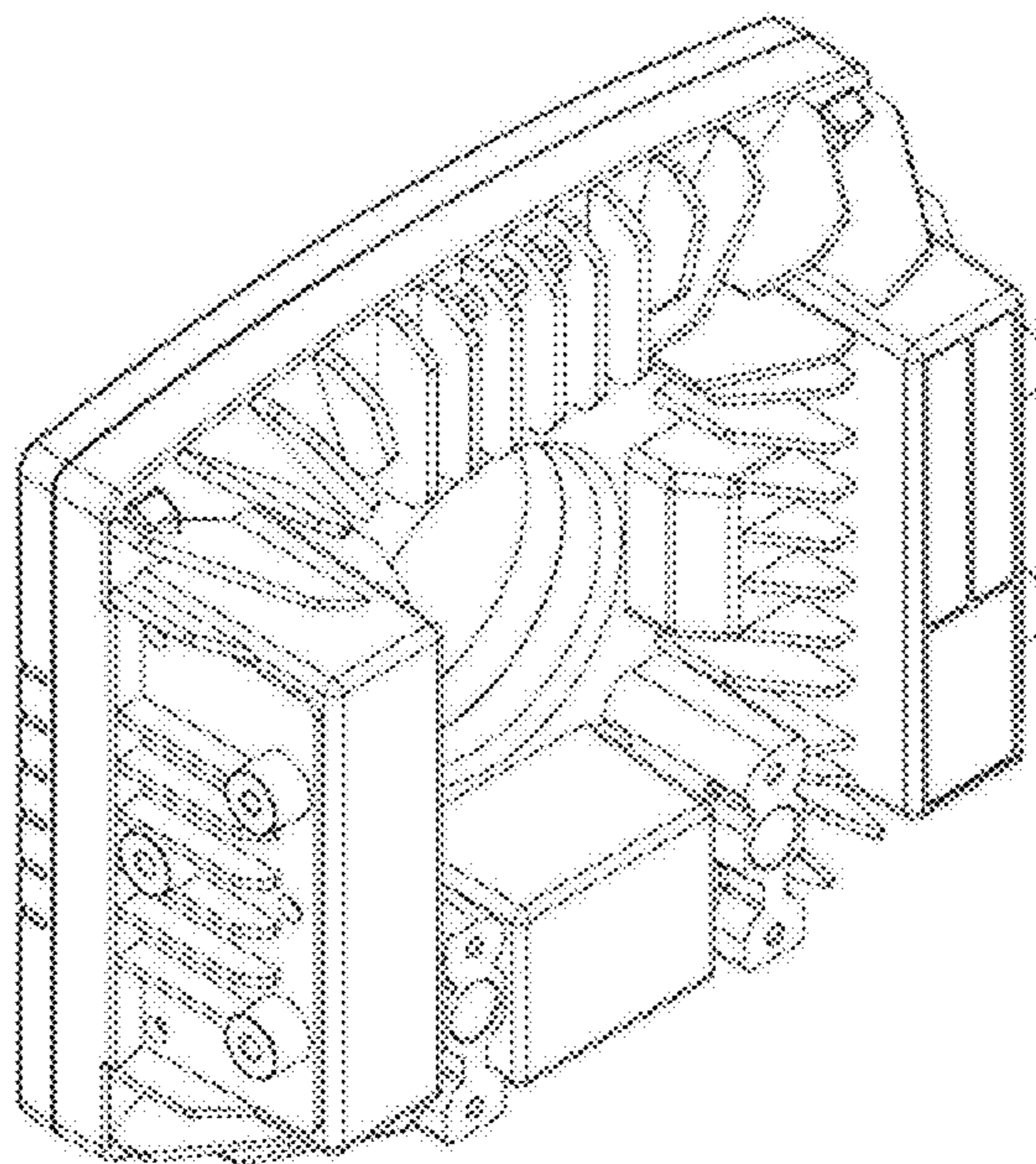
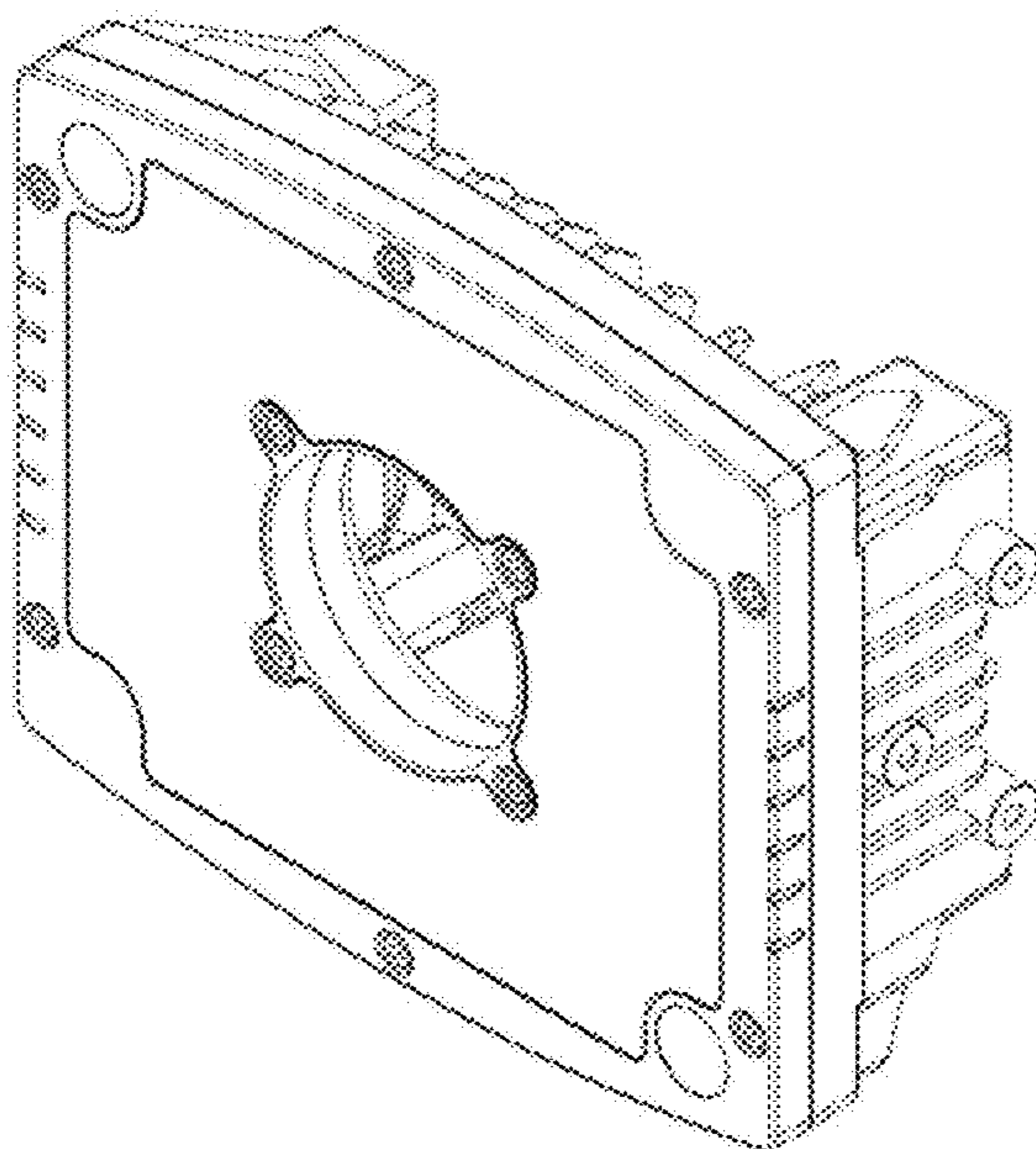
FIG. 5 is a left side elevation view thereof;

FIG. 6 is a right side elevation view thereof;

FIG. 7 is a top plan view thereof; and,

FIG. 8 is a bottom plan view thereof.

1 Claim, 8 Drawing Sheets



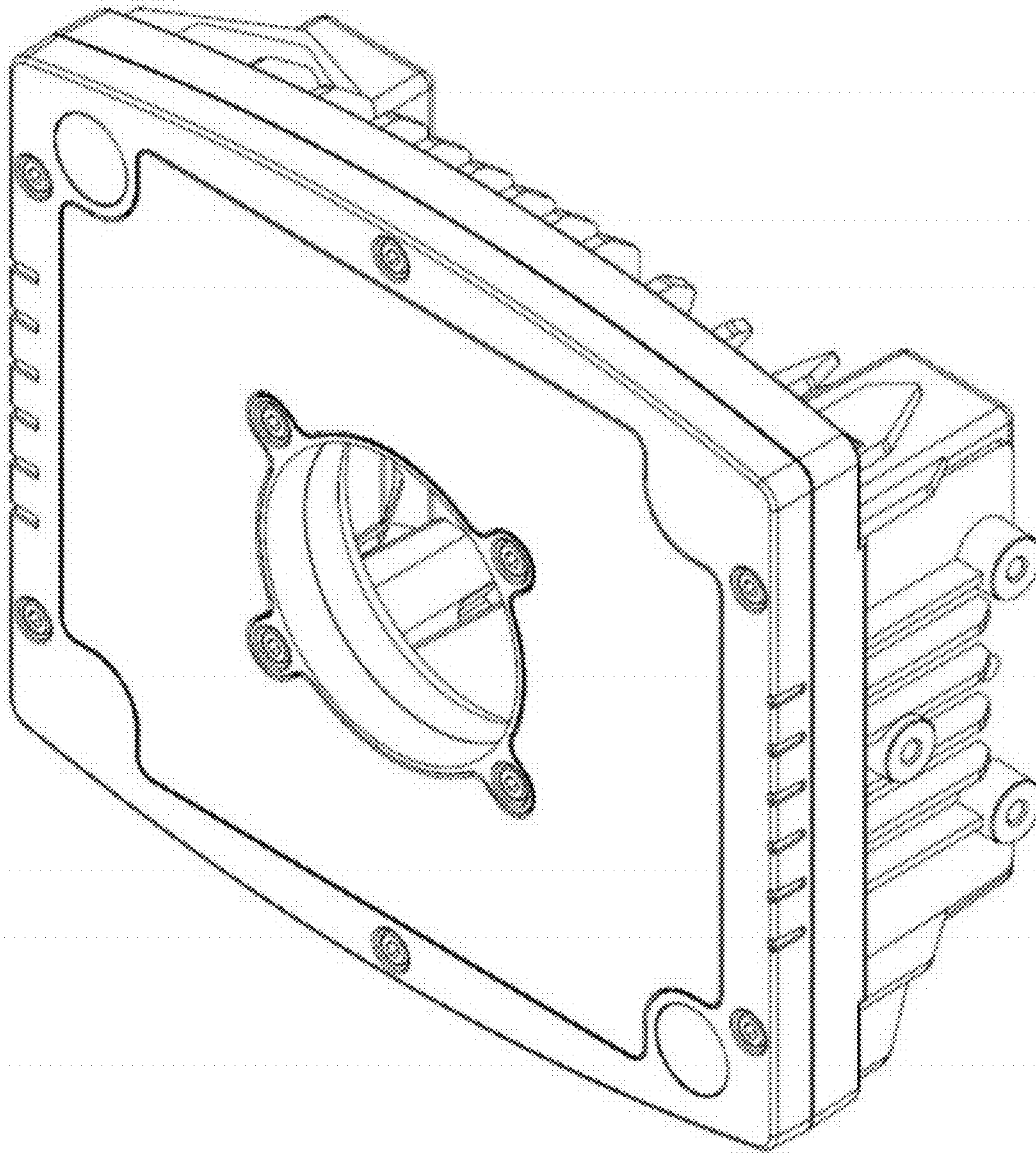


FIG. 1.

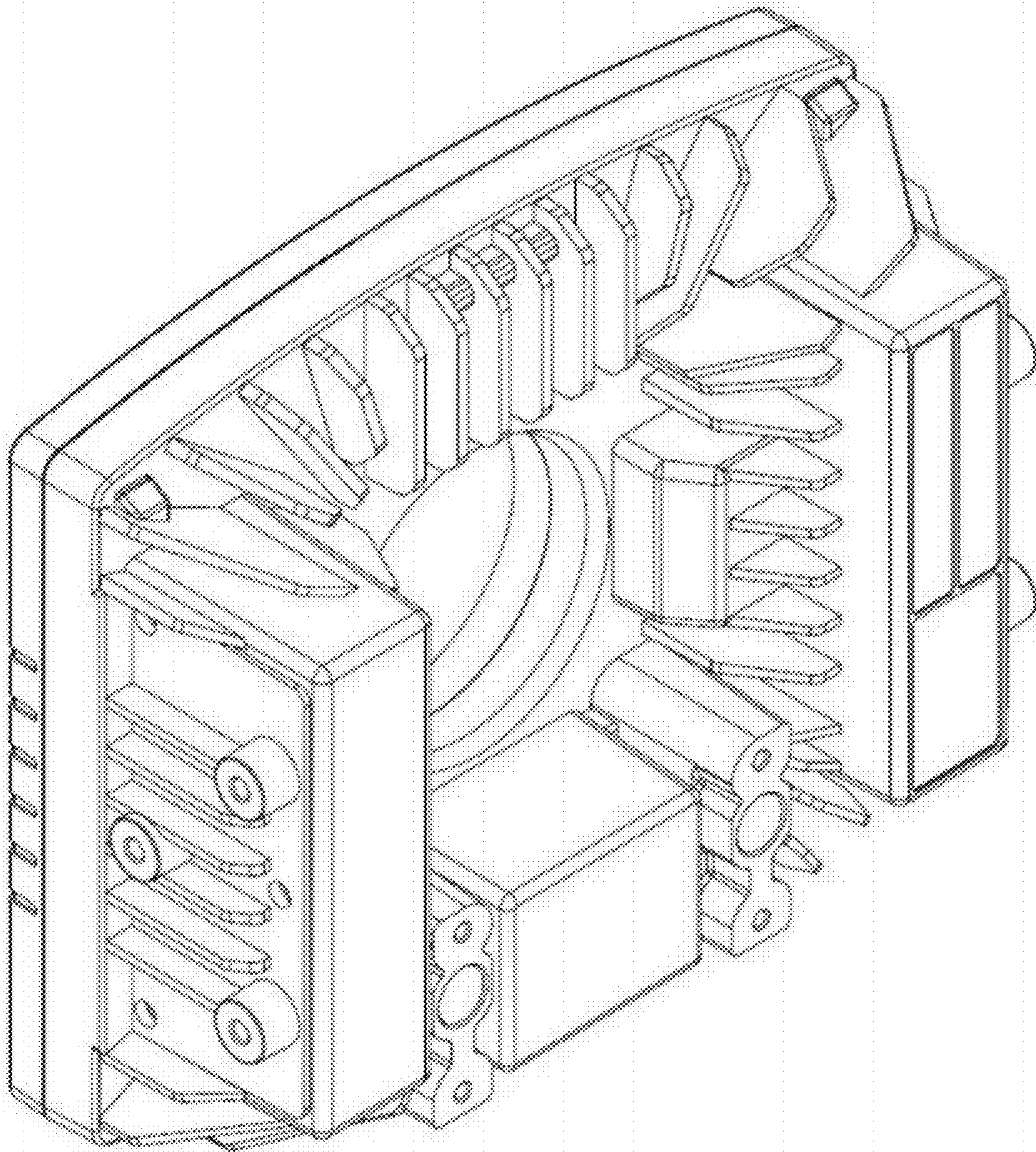


FIG. 2

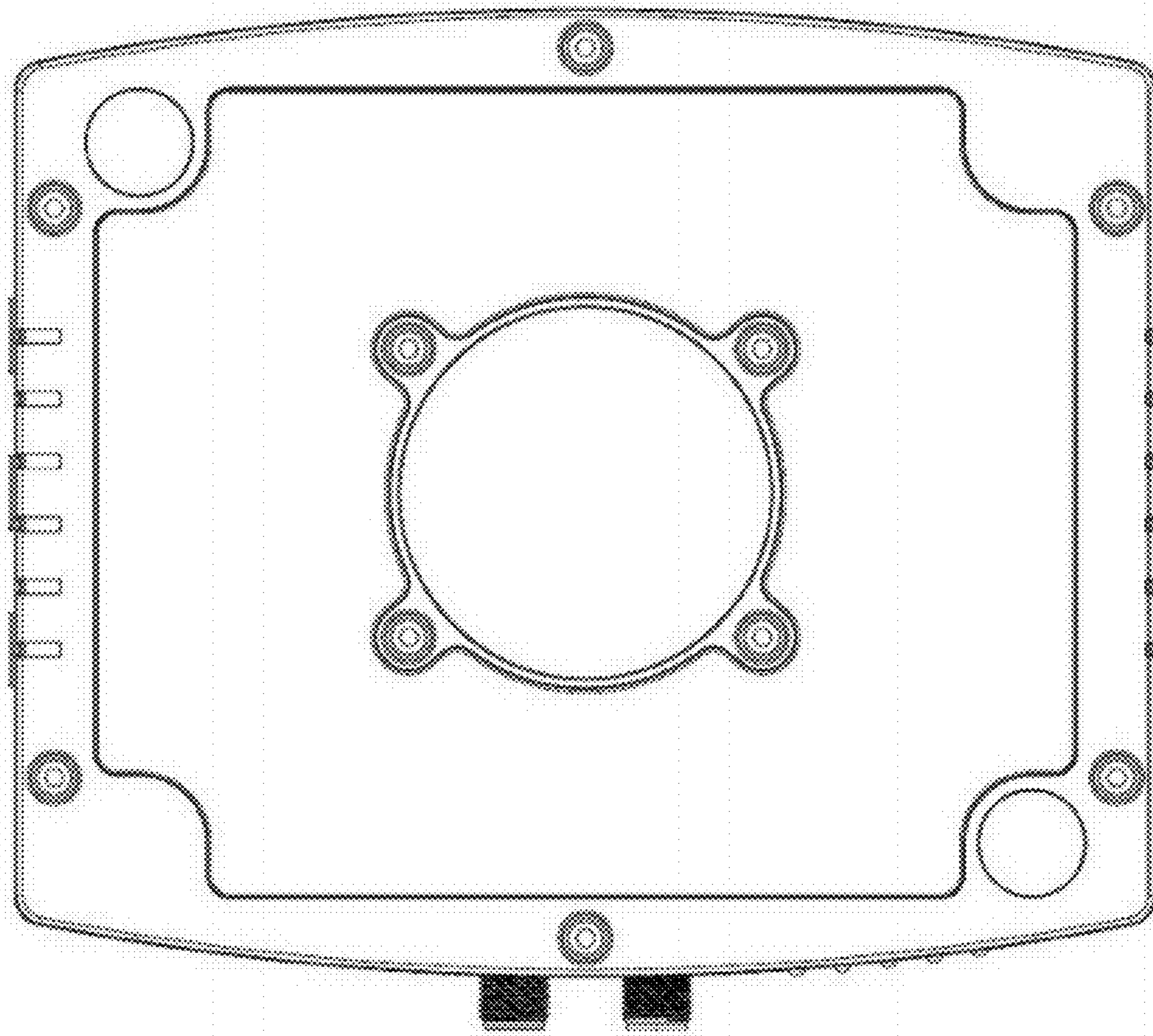


FIG. 3

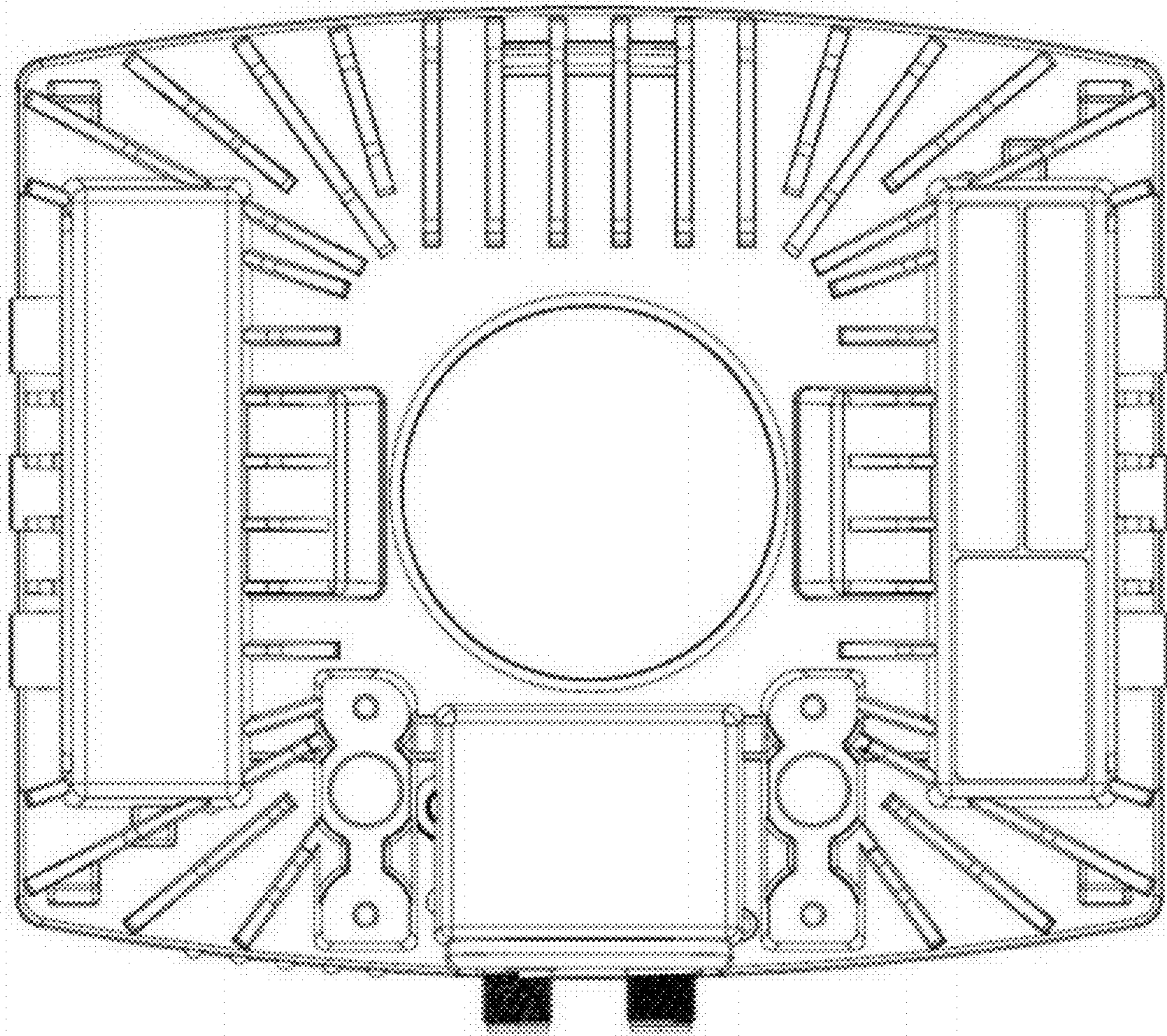


FIG. 4

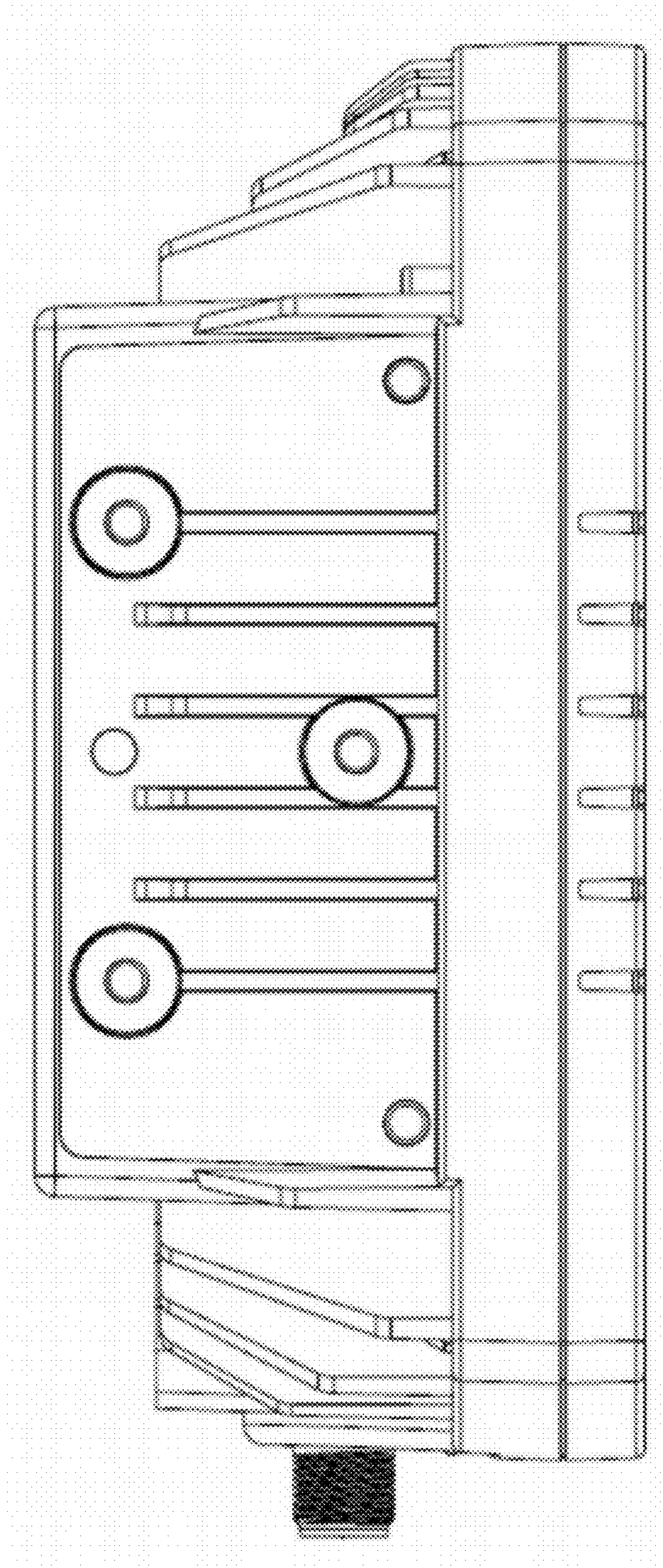


FIG. 5

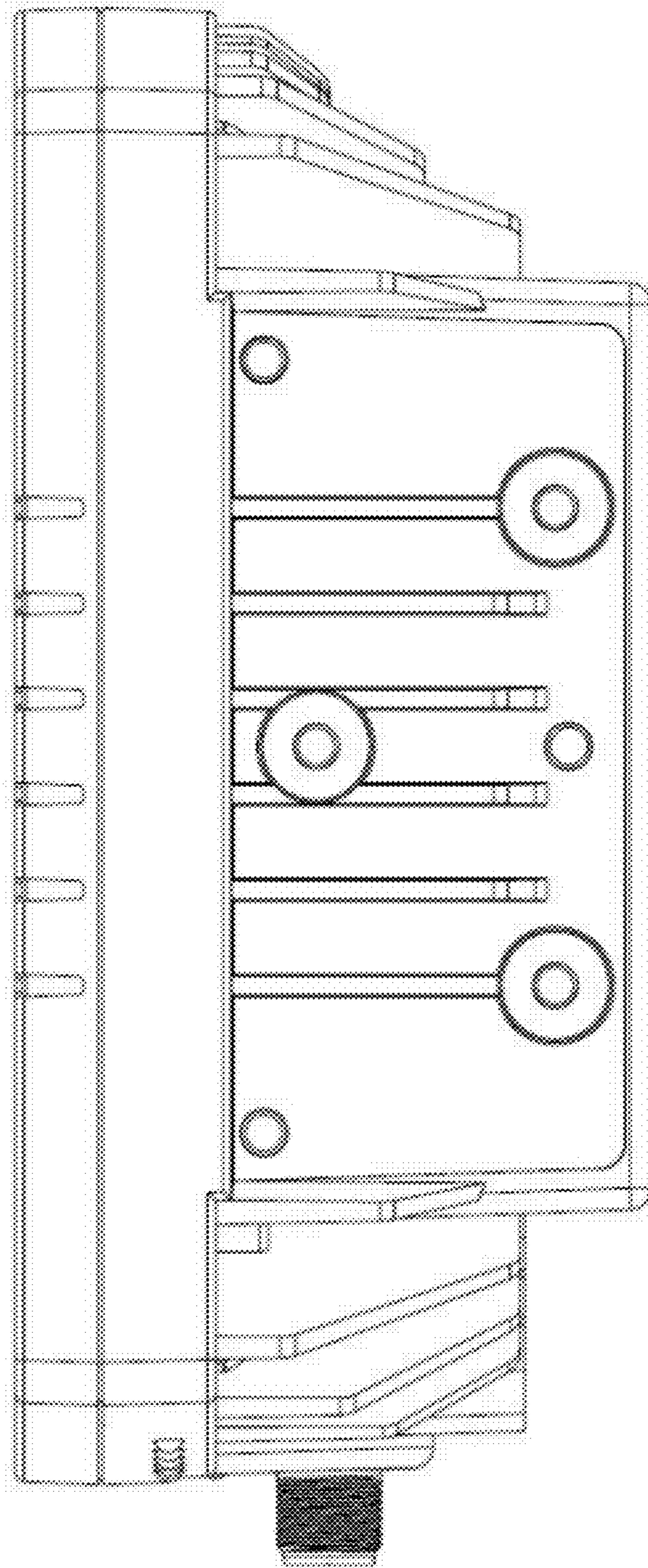


FIG. 6

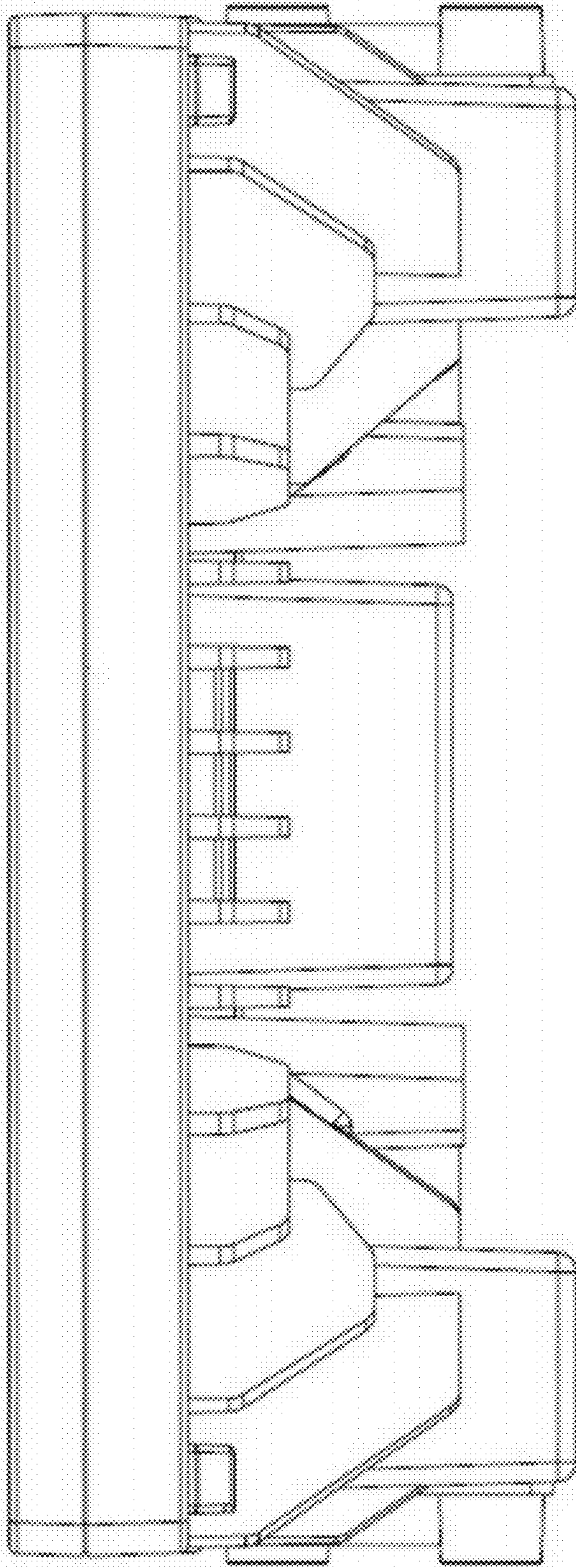


FIG. 7

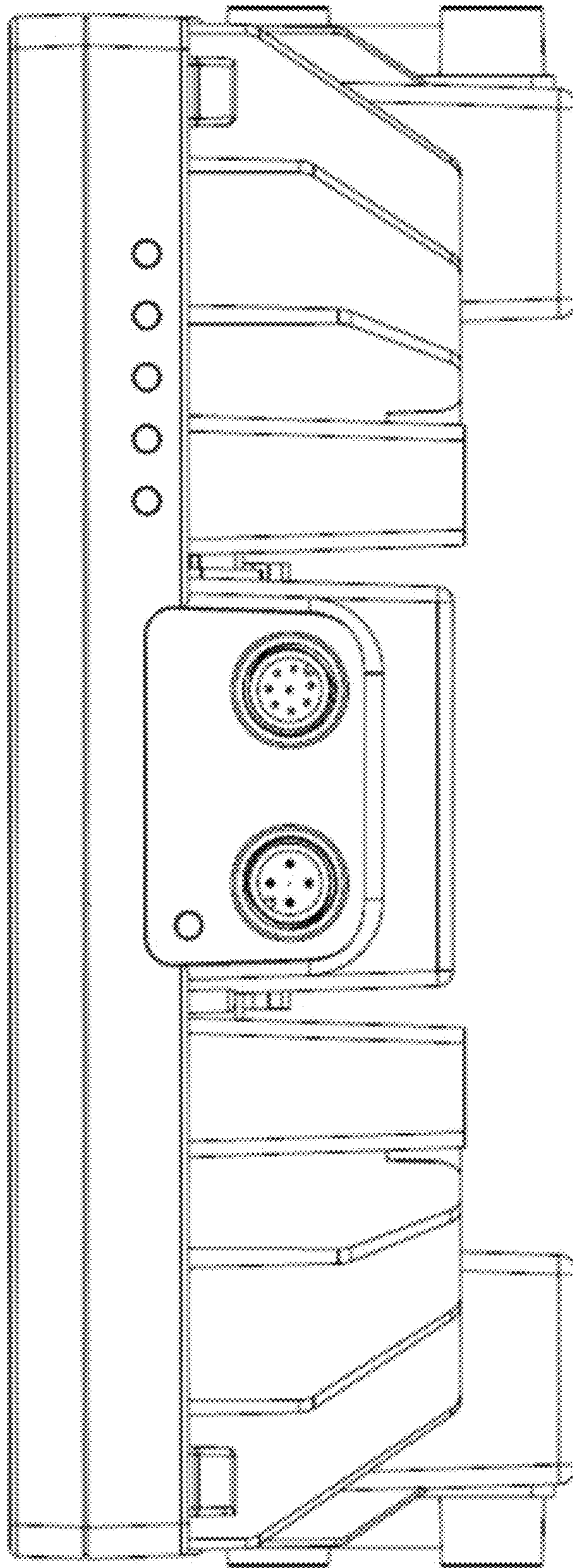


FIG. 8