



US00D676590S

(12) **United States Design Patent**  
**Fang**

(10) **Patent No.:** **US D676,590 S**

(45) **Date of Patent:** **\*\* Feb. 19, 2013**

(54) **LIGHTING APPARATUS**

(75) Inventor: **Yi Fang, Yuyao (CN)**

(73) Assignee: **Ningbo UTEC Electric Co., Ltd. (CN)**

(\*\*) Term: **14 Years**

(21) Appl. No.: **29/418,501**

(22) Filed: **Apr. 17, 2012**

(51) **LOC (9) Cl.** ..... **26-03**

(52) **U.S. Cl.** ..... **D26/80; D26/85**

(58) **Field of Classification Search** ..... D26/70,  
D26/71, 72, 80, 85, 87, 92, 118; 362/147,  
362/431, 432, 183, 33, 294

See application file for complete search history.

(56) **References Cited**

**U.S. PATENT DOCUMENTS**

|              |         |                 |       |         |
|--------------|---------|-----------------|-------|---------|
| D283,555 S * | 4/1986  | Levi            | ..... | D26/85  |
| D309,793 S * | 8/1990  | Frattini        | ..... | D26/87  |
| D319,319 S * | 8/1991  | Von Kluck       | ..... | D26/85  |
| D380,853 S * | 7/1997  | Johnson         | ..... | D26/128 |
| D456,929 S * | 5/2002  | Russello et al. | ..... | D26/85  |
| D464,162 S * | 10/2002 | Segretto        | ..... | D26/85  |
| D468,469 S * | 1/2003  | Landefeld       | ..... | D26/65  |
| D565,232 S * | 3/2008  | Butler          | ..... | D26/85  |
| D624,684 S * | 9/2010  | Hemby           | ..... | D26/71  |

|              |         |                 |       |        |
|--------------|---------|-----------------|-------|--------|
| D626,272 S * | 10/2010 | Verelst         | ..... | D26/85 |
| D627,916 S * | 11/2010 | Butteris et al. | ..... | D26/85 |
| D663,465 S * | 7/2012  | Couvreur et al. | ..... | D26/72 |
| D663,879 S * | 7/2012  | Lee et al.      | ..... | D26/71 |

\* cited by examiner

*Primary Examiner* — Clare E Heflin

(74) *Attorney, Agent, or Firm* — Raymond Sun

(57) **CLAIM**

The ornamental design for a lighting apparatus, as shown and described.

**DESCRIPTION**

FIG. 1 is a perspective view of a lighting apparatus showing my new design.

FIG. 2 is a top plan view thereof;

FIG. 3 is a bottom plan view thereof;

FIG. 4 is a front elevational view thereof;

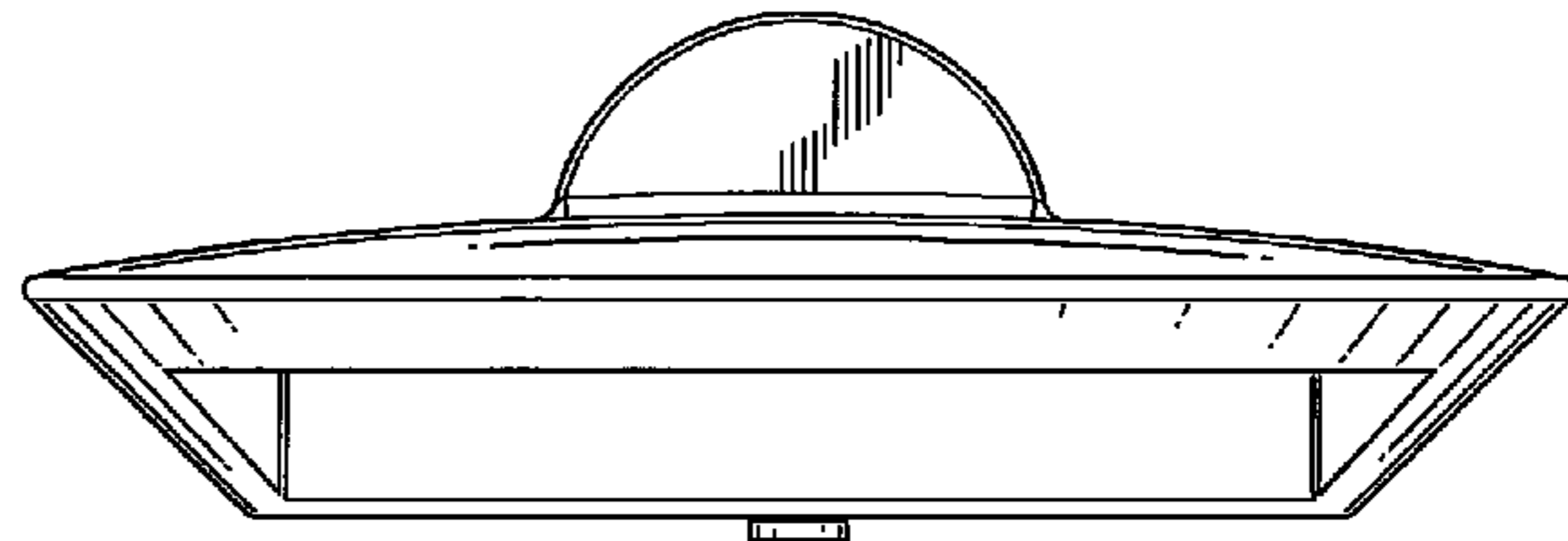
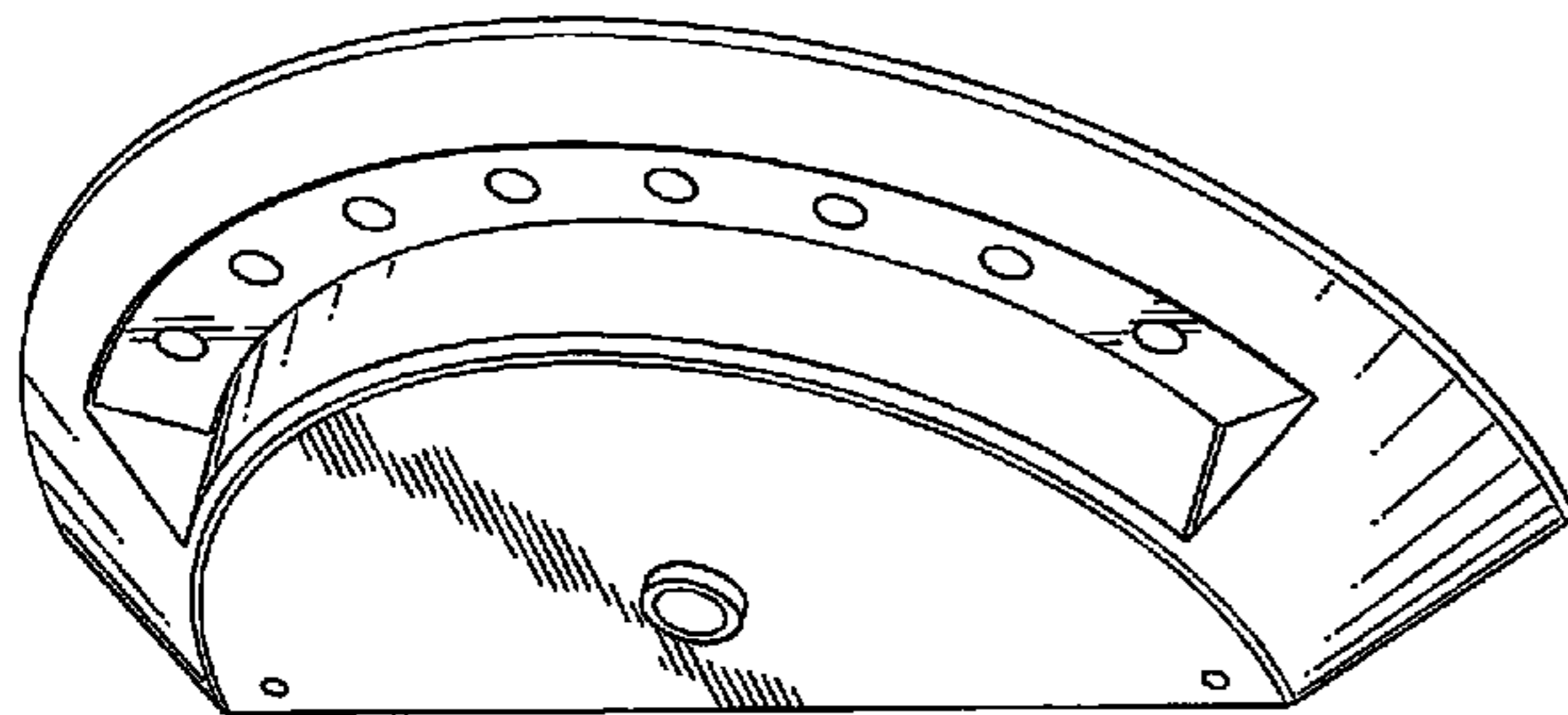
FIG. 5 is a rear elevational view thereof;

FIG. 6 is a left side elevational view thereof; and,

FIG. 7 is a right side elevational view of the lighting apparatus.

The features shown in the broken lines in FIG. 5 do not represent claimed subject matter.

**1 Claim, 7 Drawing Sheets**



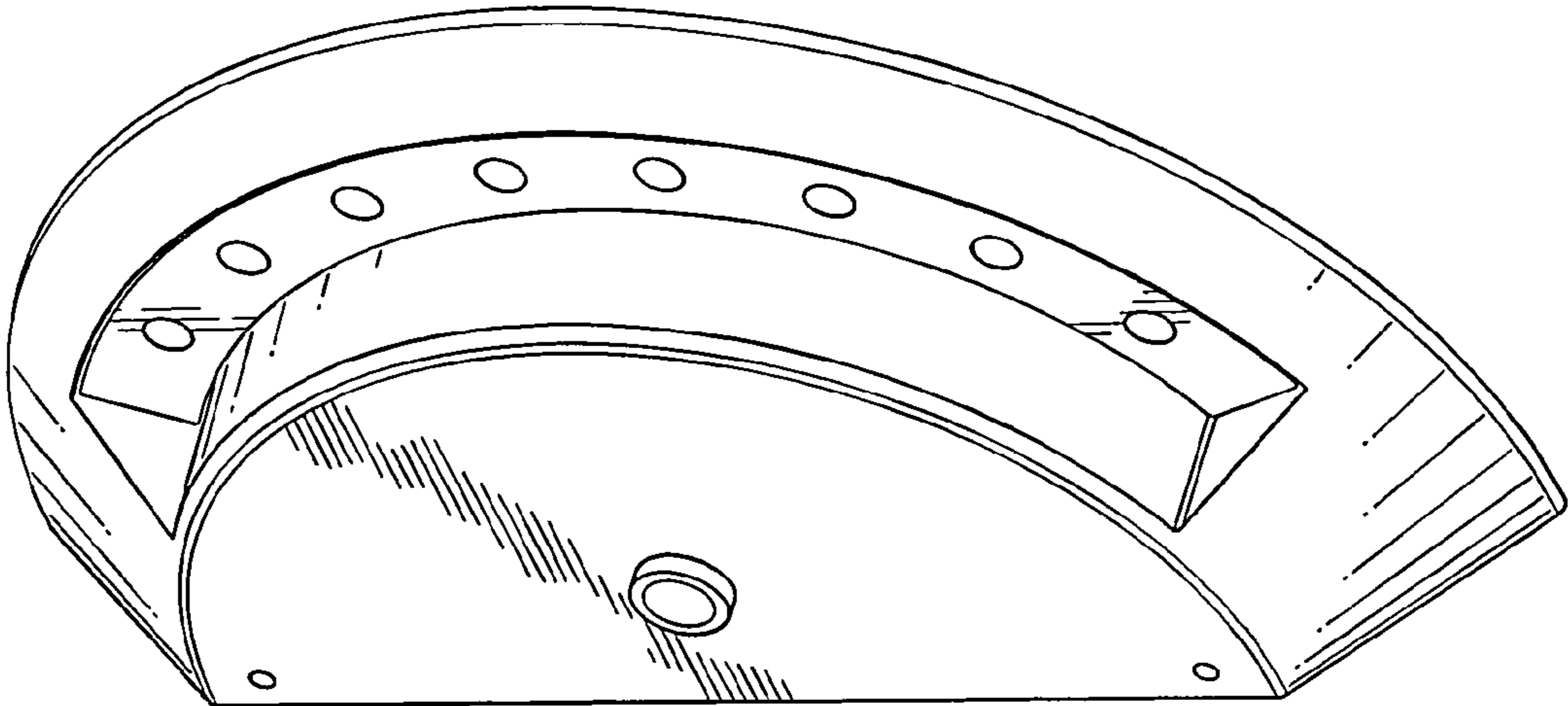


FIG. 1

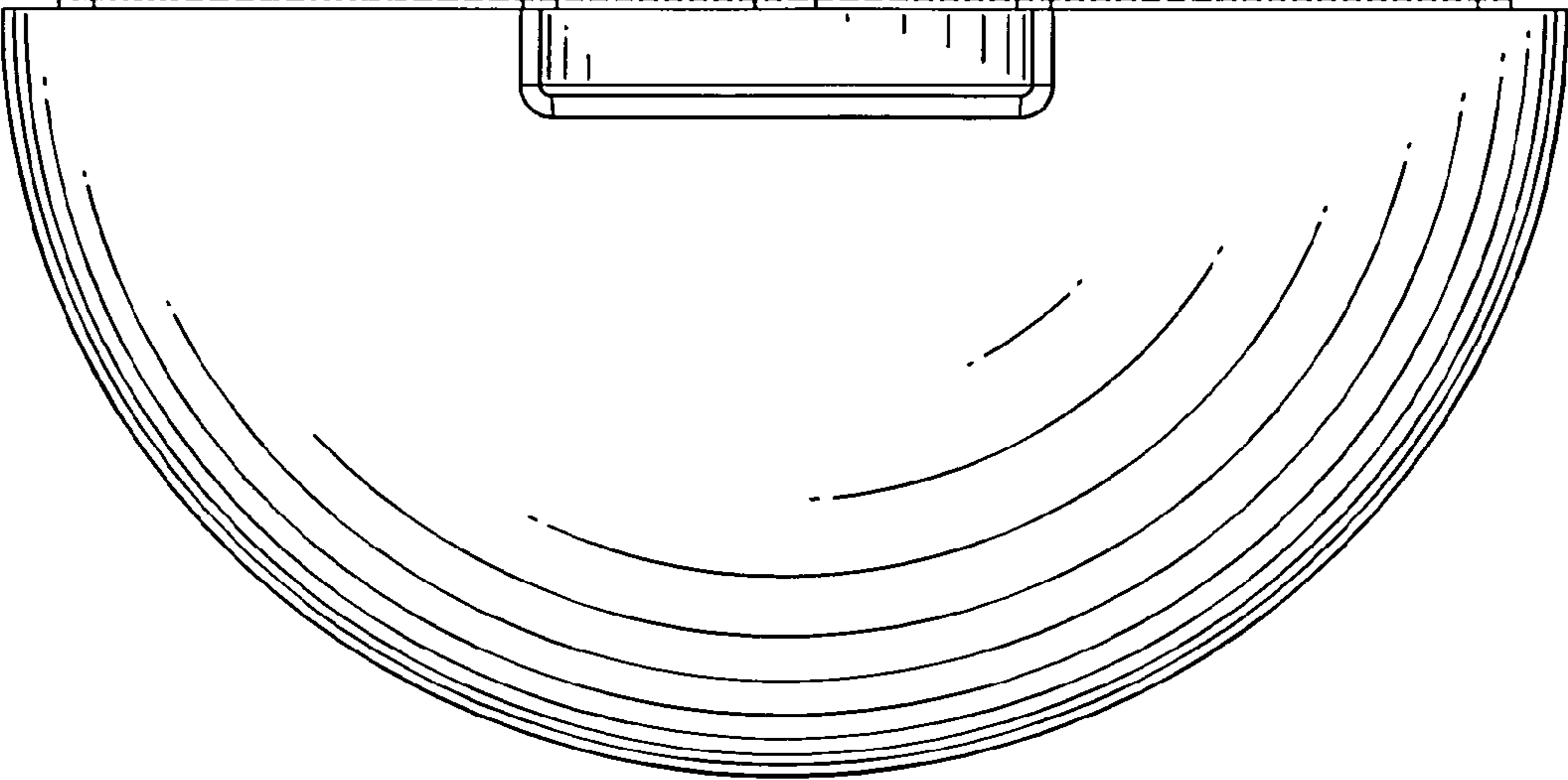


FIG.2

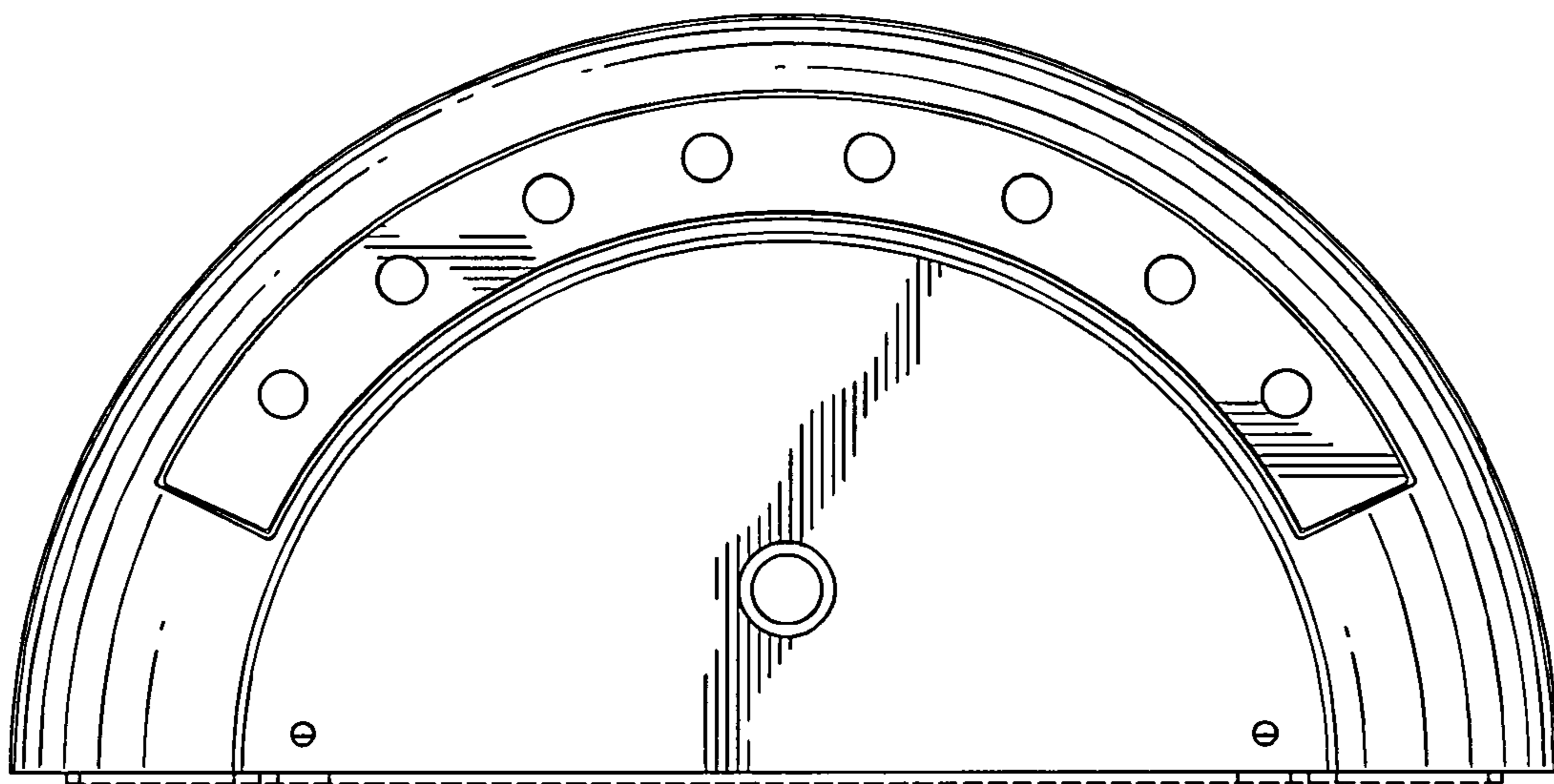


FIG. 3

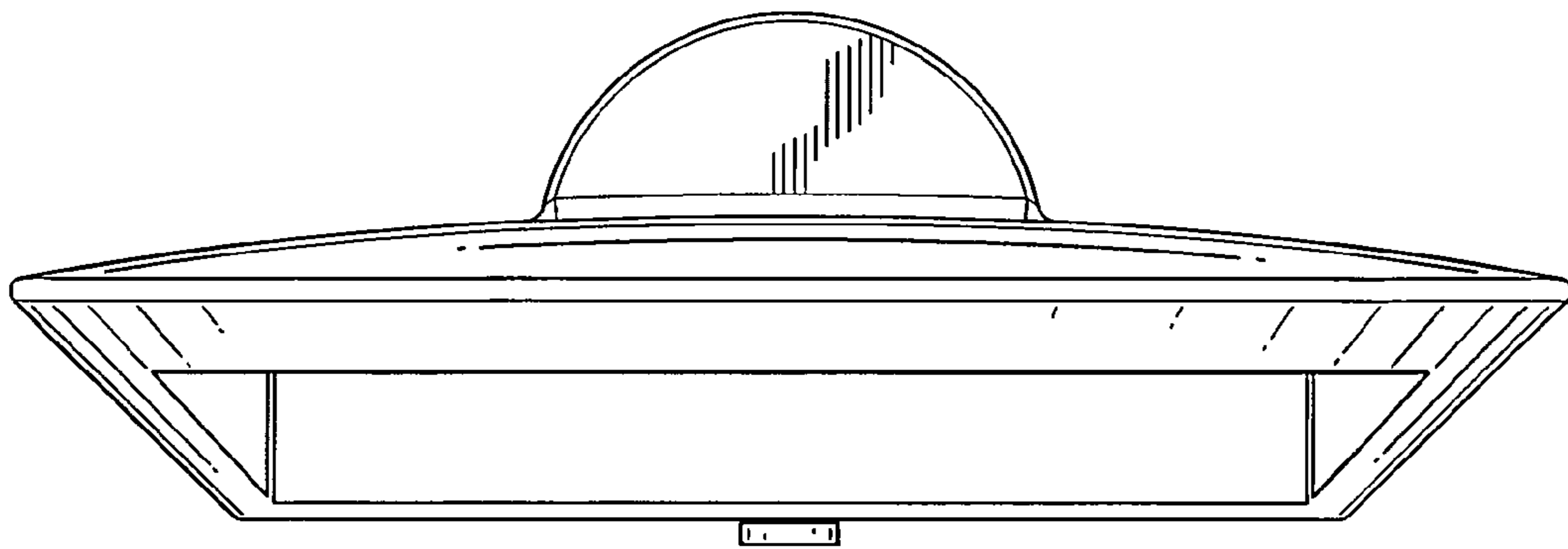


FIG.4

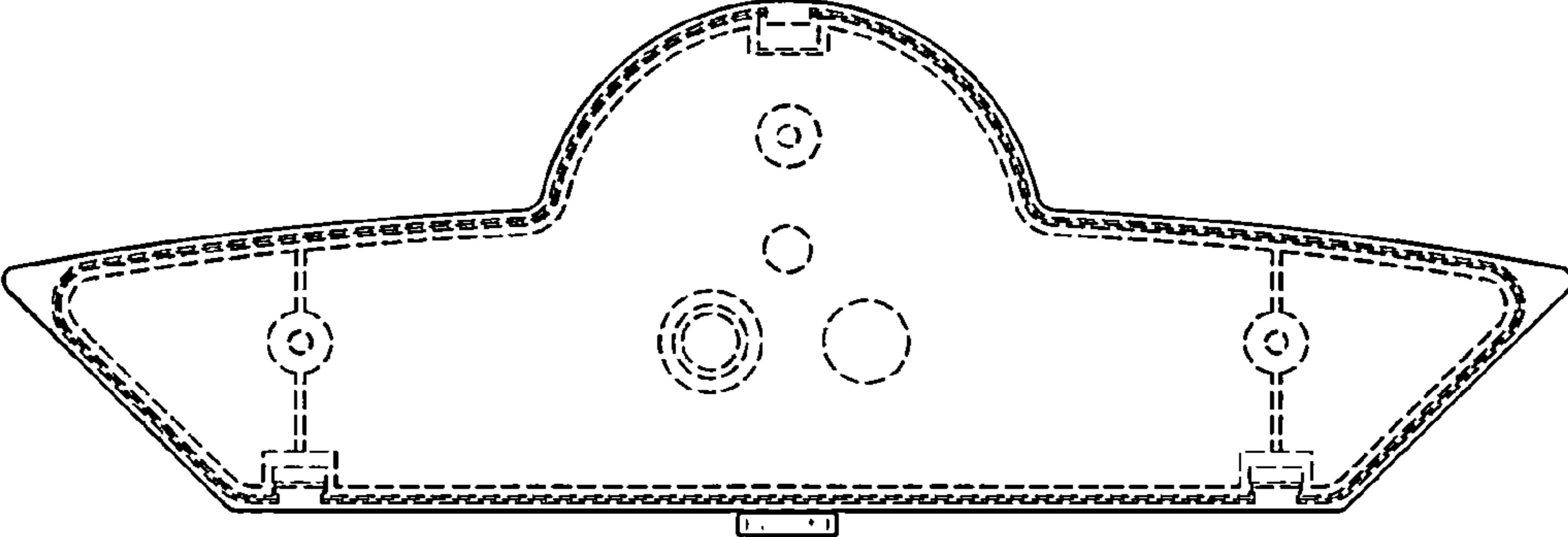


FIG.5

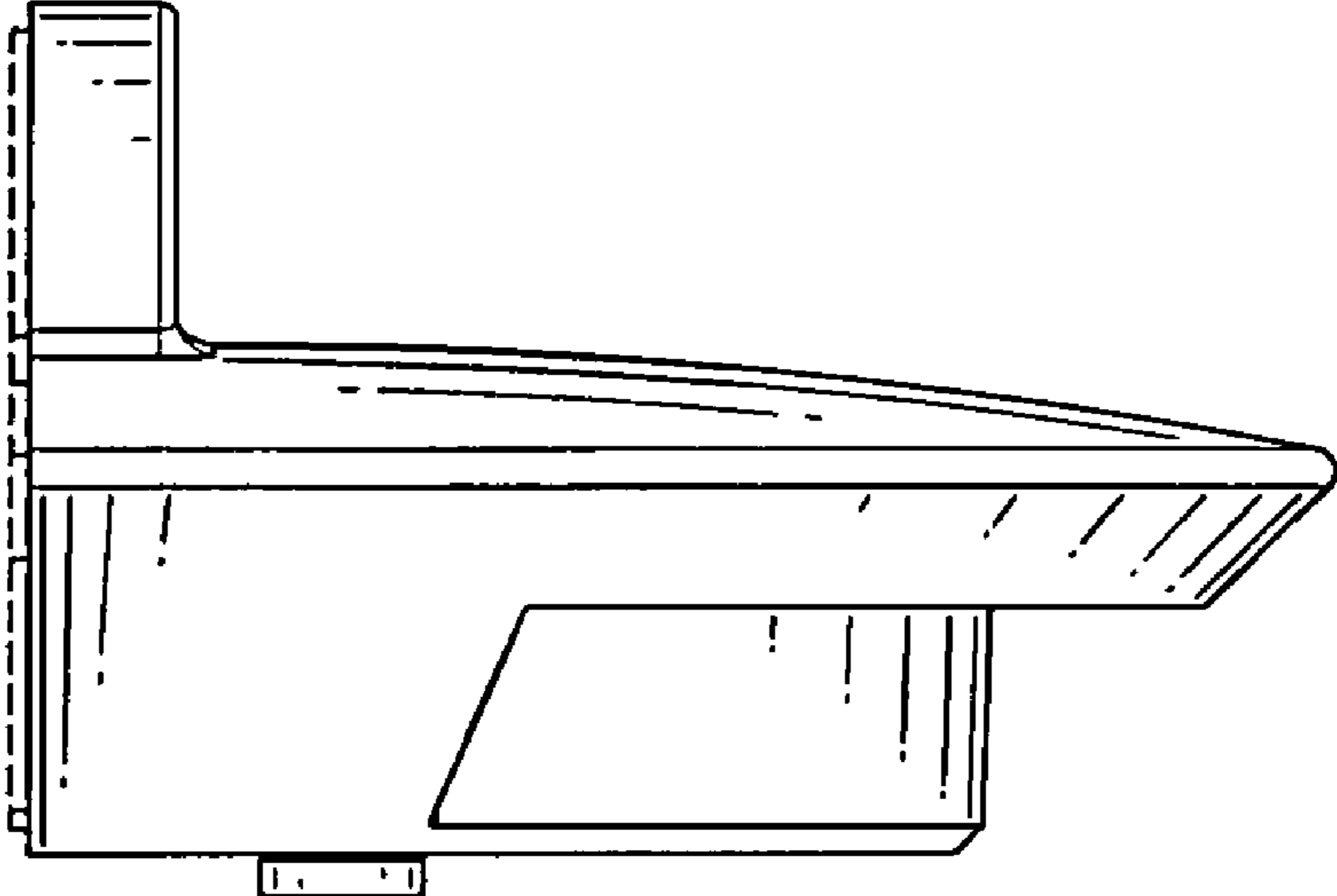


FIG. 6

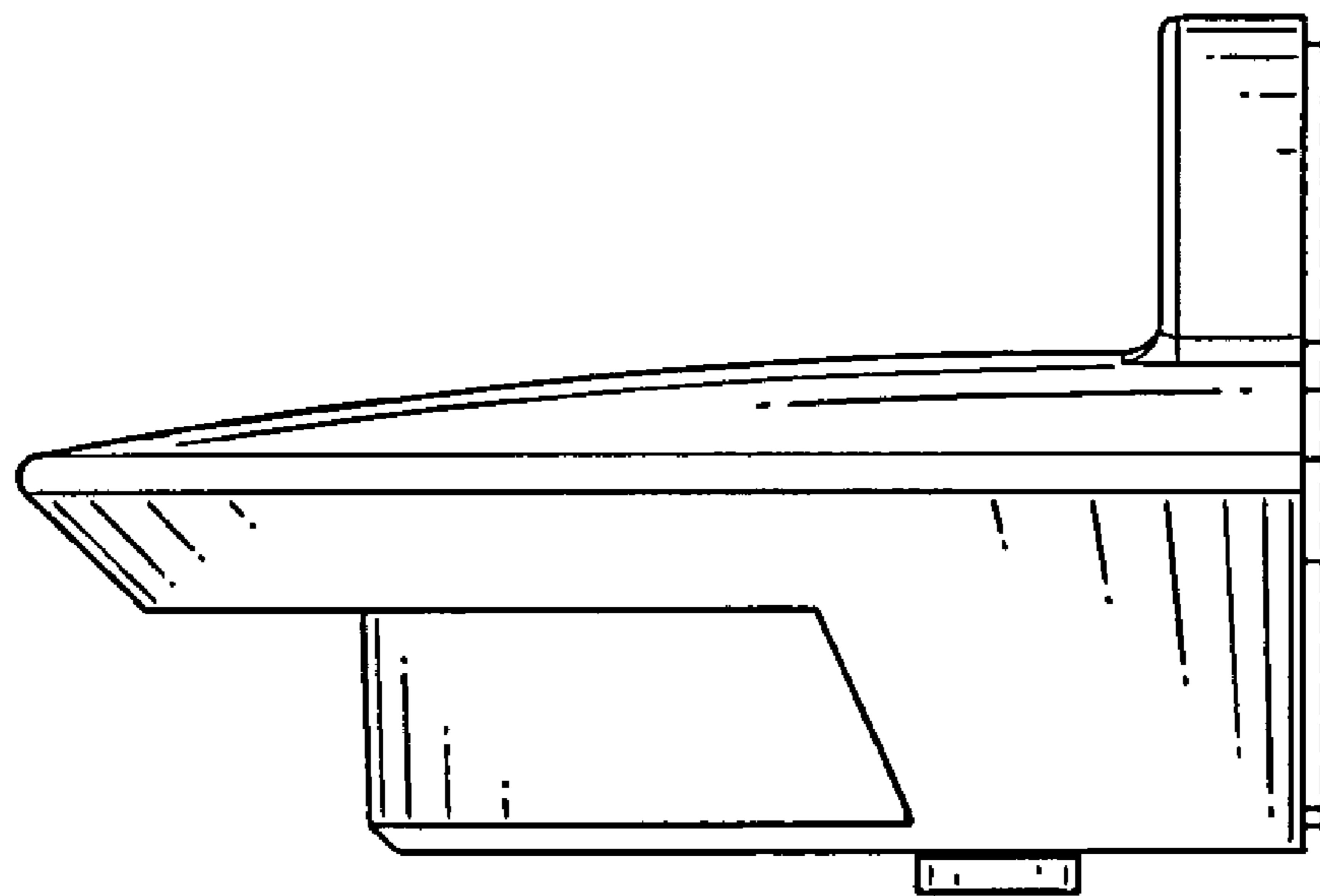


FIG. 7