



US00D676589S

(12) **United States Design Patent**
Elam

(10) **Patent No.:** **US D676,589 S**

(45) **Date of Patent:** **** Feb. 19, 2013**

(54) **OUTDOOR LIGHTING FIXTURE**

(75) Inventor: **John Michael Elam**, London (GB)

(73) Assignee: **Schreder, S.A.**, Brussels (BE)

(**) Term: **14 Years**

(21) Appl. No.: **29/413,789**

(22) Filed: **Feb. 21, 2012**

(30) **Foreign Application Priority Data**

Aug. 18, 2011 (EM) 001289912-0001

(51) **LOC (9) Cl.** **26-05**

(52) **U.S. Cl.** **D26/71**

(58) **Field of Classification Search** D26/61,
D26/63, 65, 67-71, 85, 92; 362/249.01-249.06,
362/294, 373, 431

See application file for complete search history.

(56) **References Cited**

U.S. PATENT DOCUMENTS

2,916,609	A *	12/1959	Freier et al.	362/374
D601,292	S *	9/2009	Yan et al.	D26/71
7,695,163	B2 *	4/2010	Yamada et al.	362/294
D621,988	S *	8/2010	Zheng et al.	D26/71
D632,819	S *	2/2011	Kong et al.	D26/71

D637,336	S *	5/2011	Van Klinken et al.	D26/71
D645,190	S *	9/2011	Van Klinken et al.	D26/71
D648,473	S *	11/2011	Lin et al.	D26/71
D650,110	S *	12/2011	Zhu	D26/71
D653,374	S *	1/2012	Ham	D26/71
D660,495	S *	5/2012	Walker et al.	D26/71
D660,496	S *	5/2012	Akdag et al.	D26/71

* cited by examiner

Primary Examiner — Clare E Heflin

(74) *Attorney, Agent, or Firm* — Kirschstein, et al.

(57) **CLAIM**

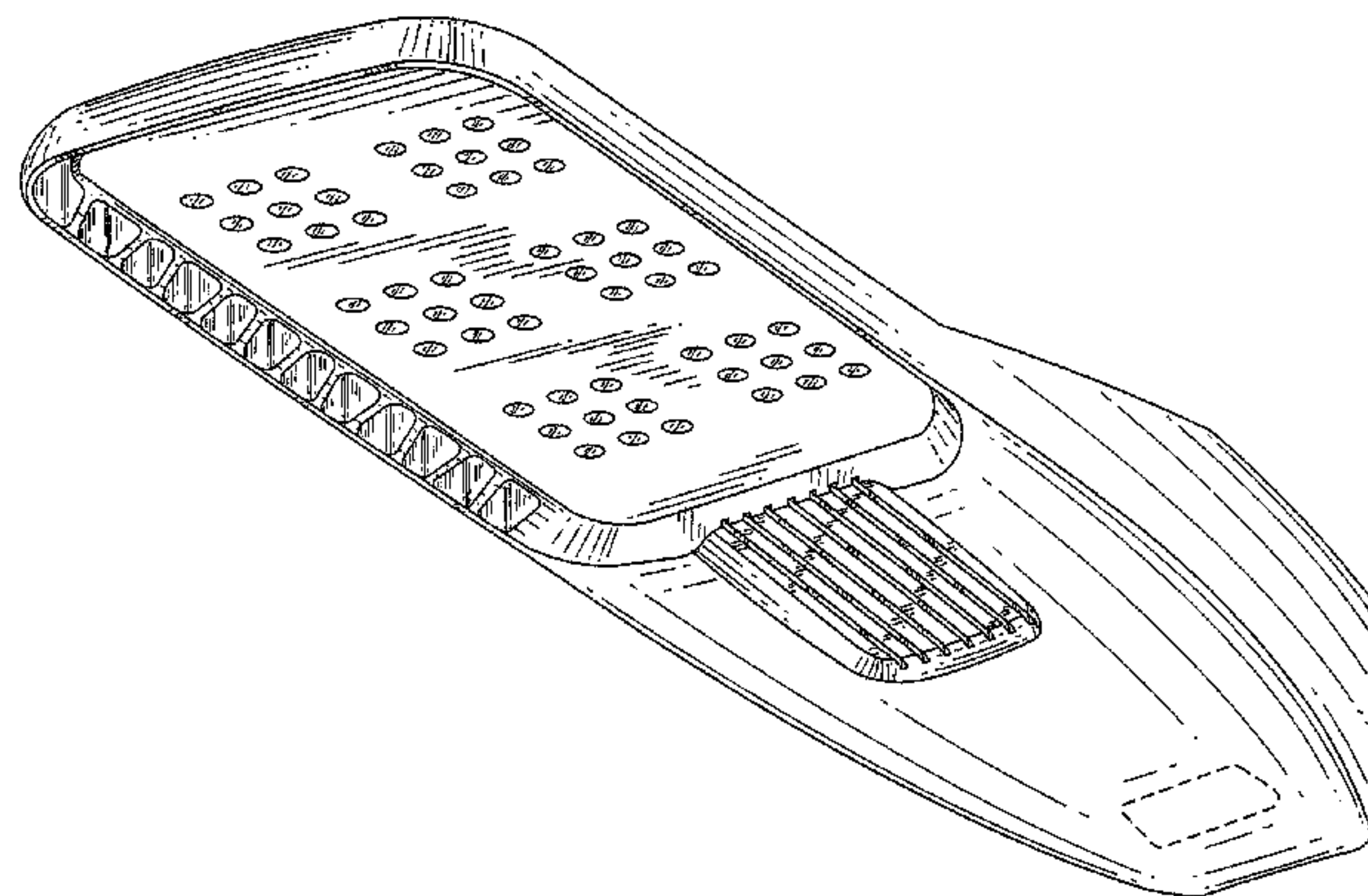
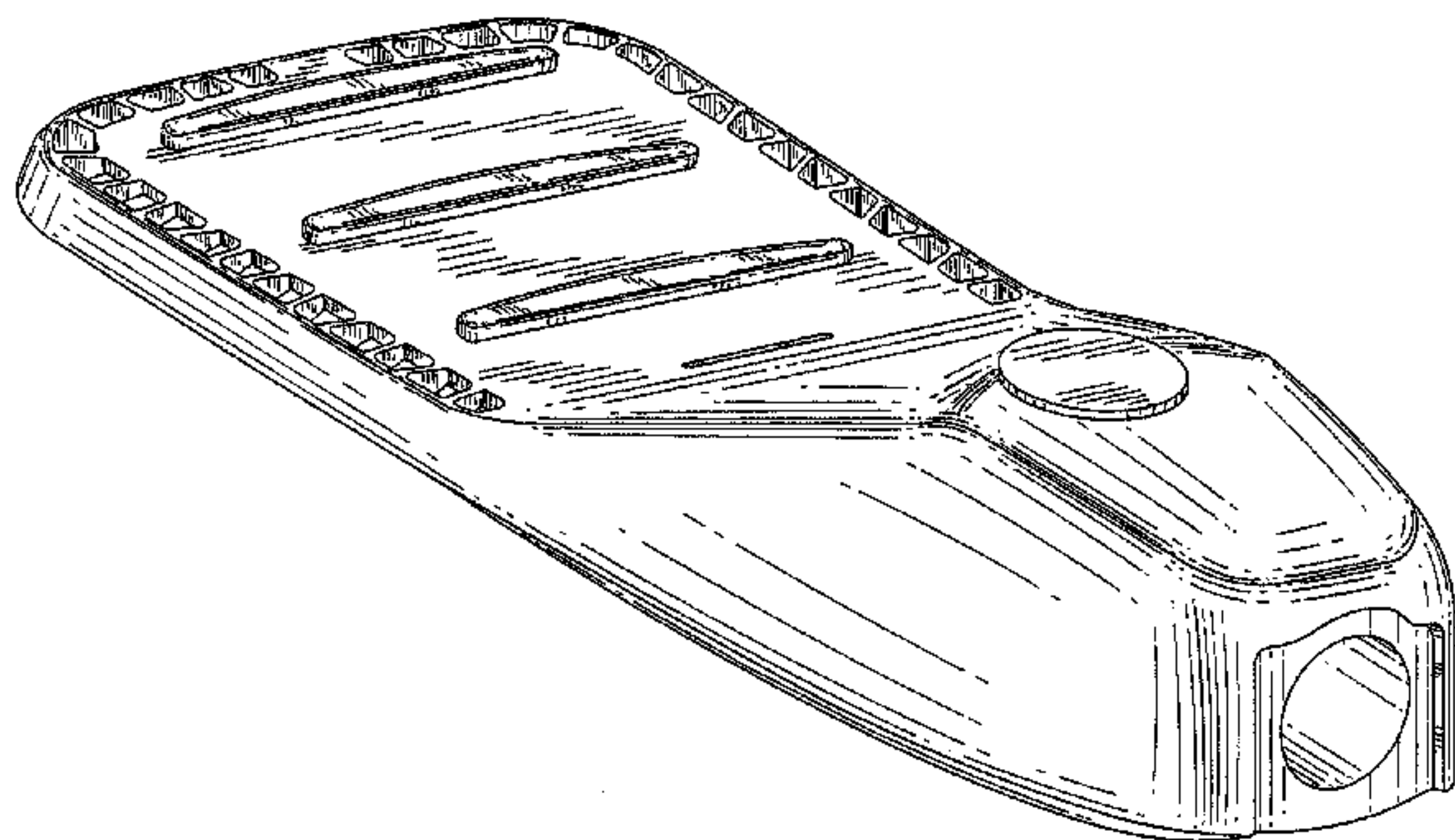
The ornamental design for an outdoor lighting fixture, as shown and described.

DESCRIPTION

FIG. 1 is a upper perspective view of an outdoor lighting fixture according to my new design;
FIG. 2 is a top plan view thereof;
FIG. 3 is a front elevational view thereof;
FIG. 4 is a right side elevational view thereof;
FIG. 5 is a left side elevational view thereof;
FIG. 6 is a rear elevational view thereof;
FIG. 7 is a bottom plan view thereof; and,
FIG. 8 is a lower perspective view thereof.

The broken lines in the figures form no part of the claimed design.

1 Claim, 6 Drawing Sheets



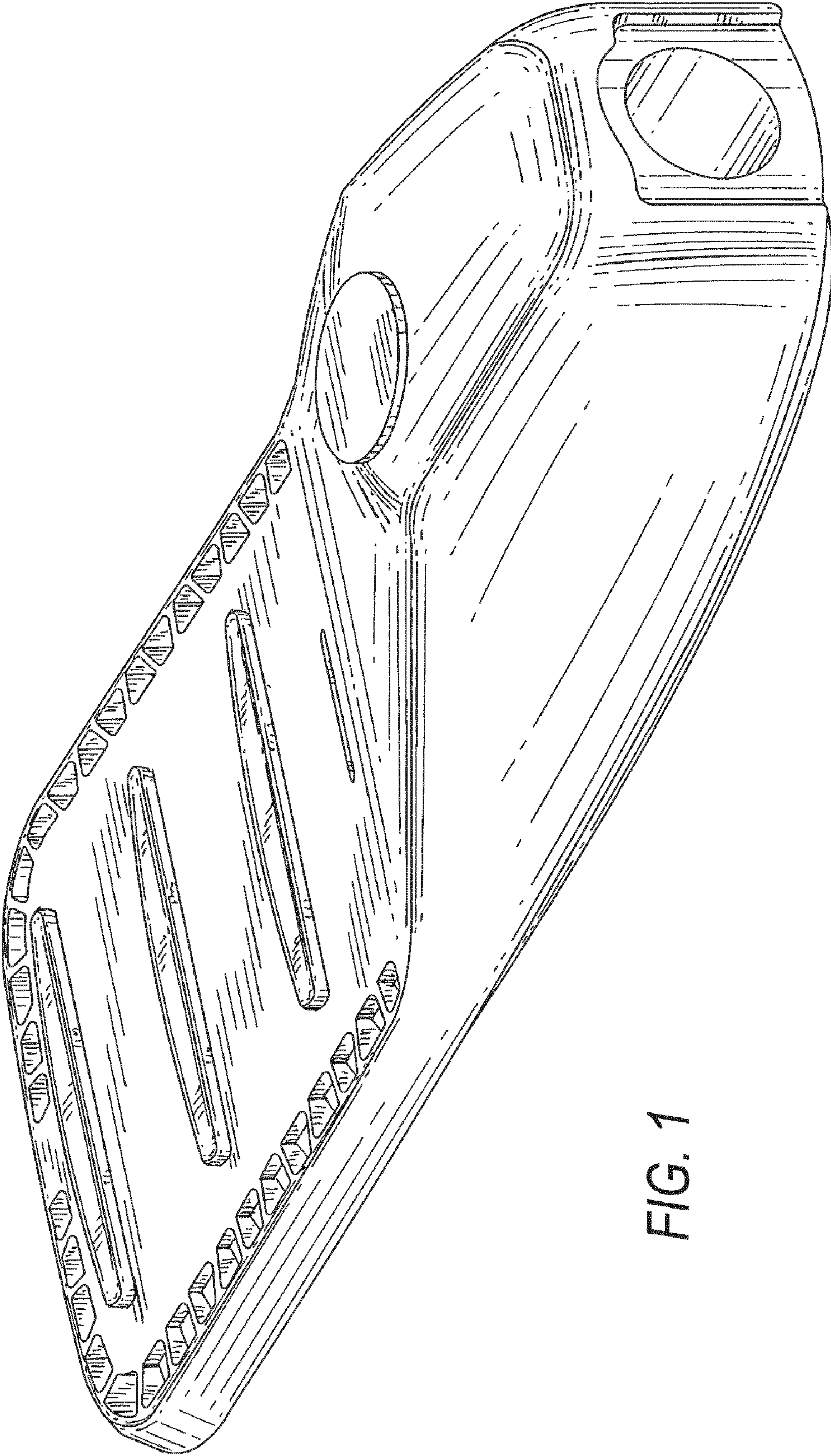


FIG. 1

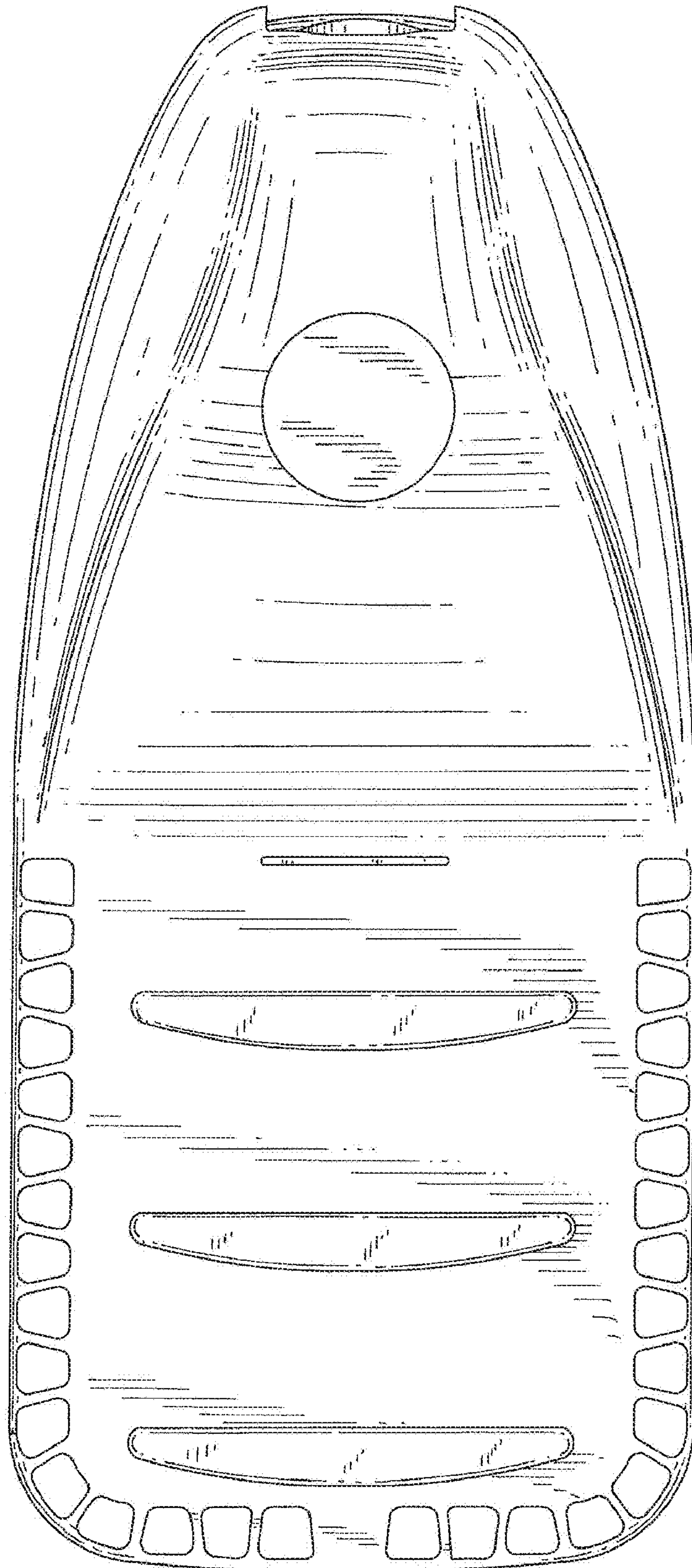


FIG. 2

FIG. 3

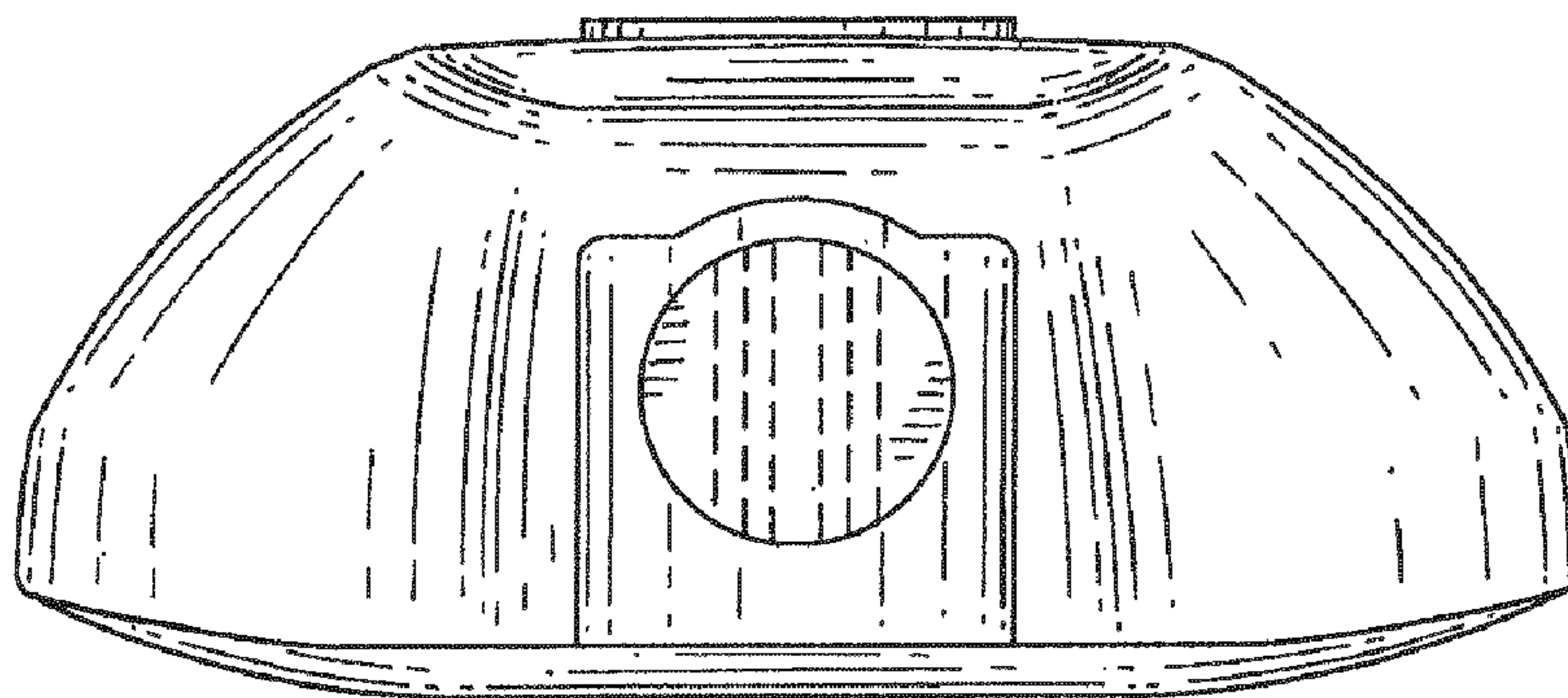
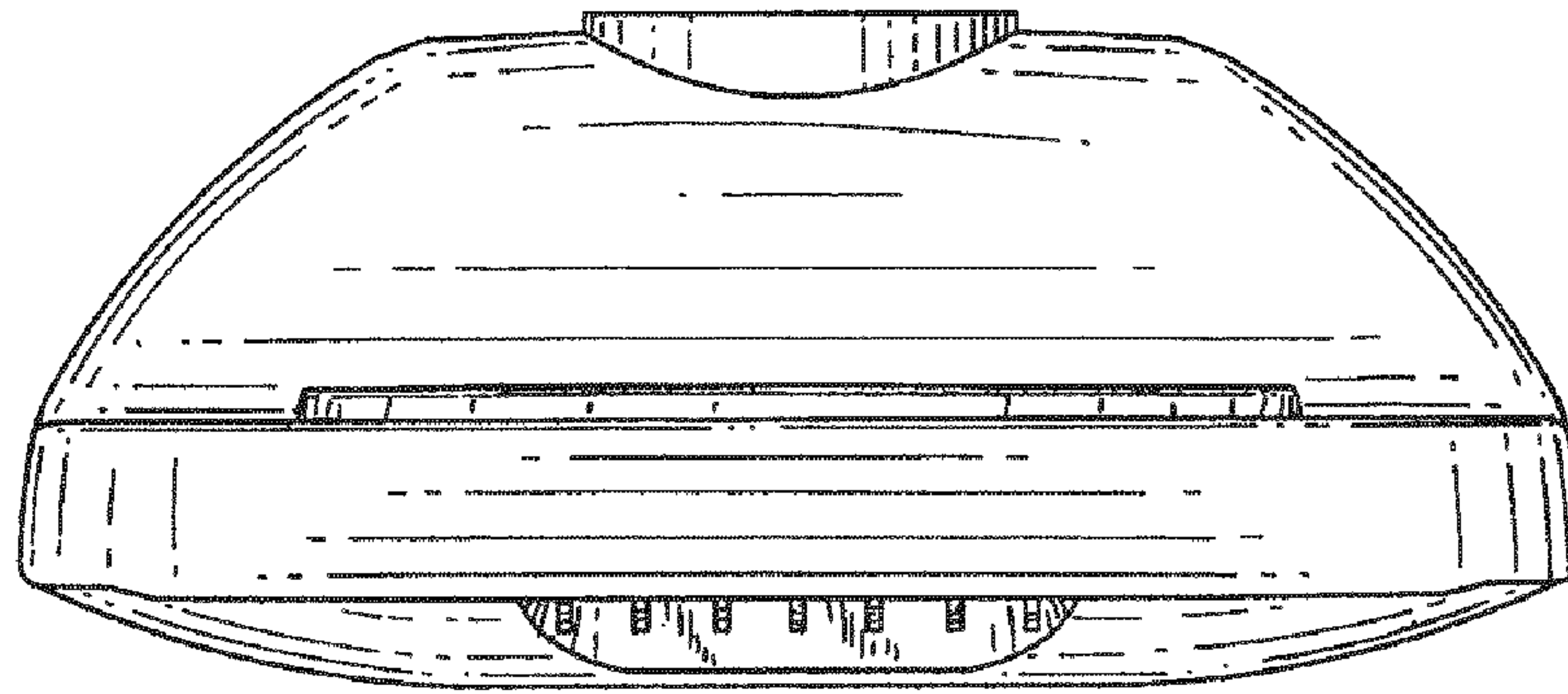


FIG. 6

FIG. 4

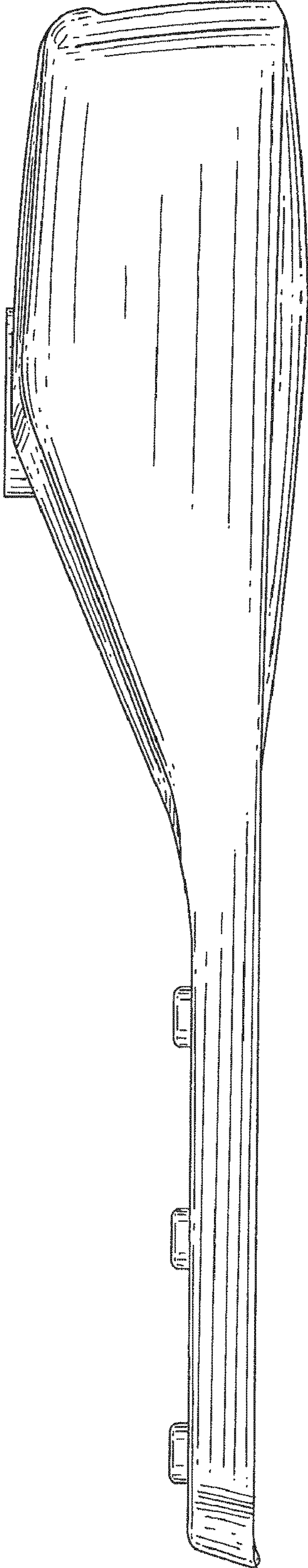
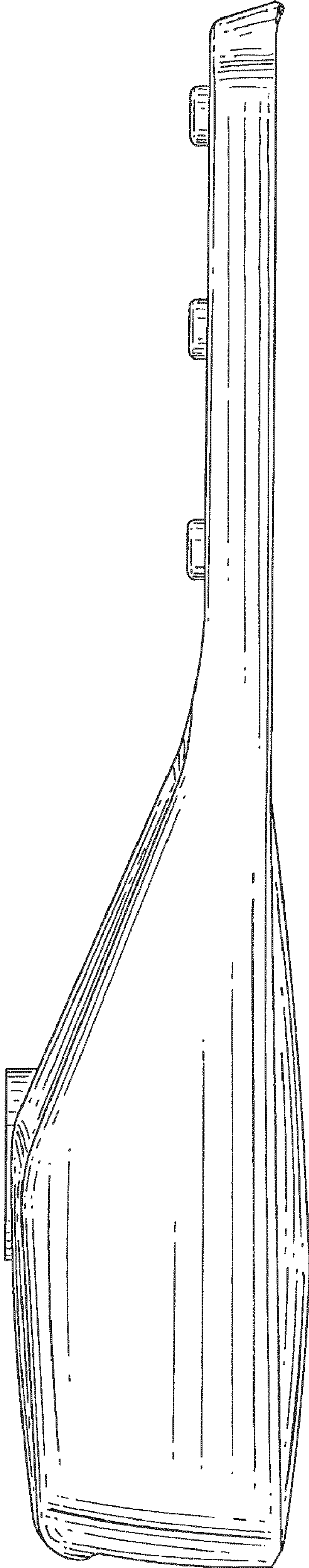


FIG. 5



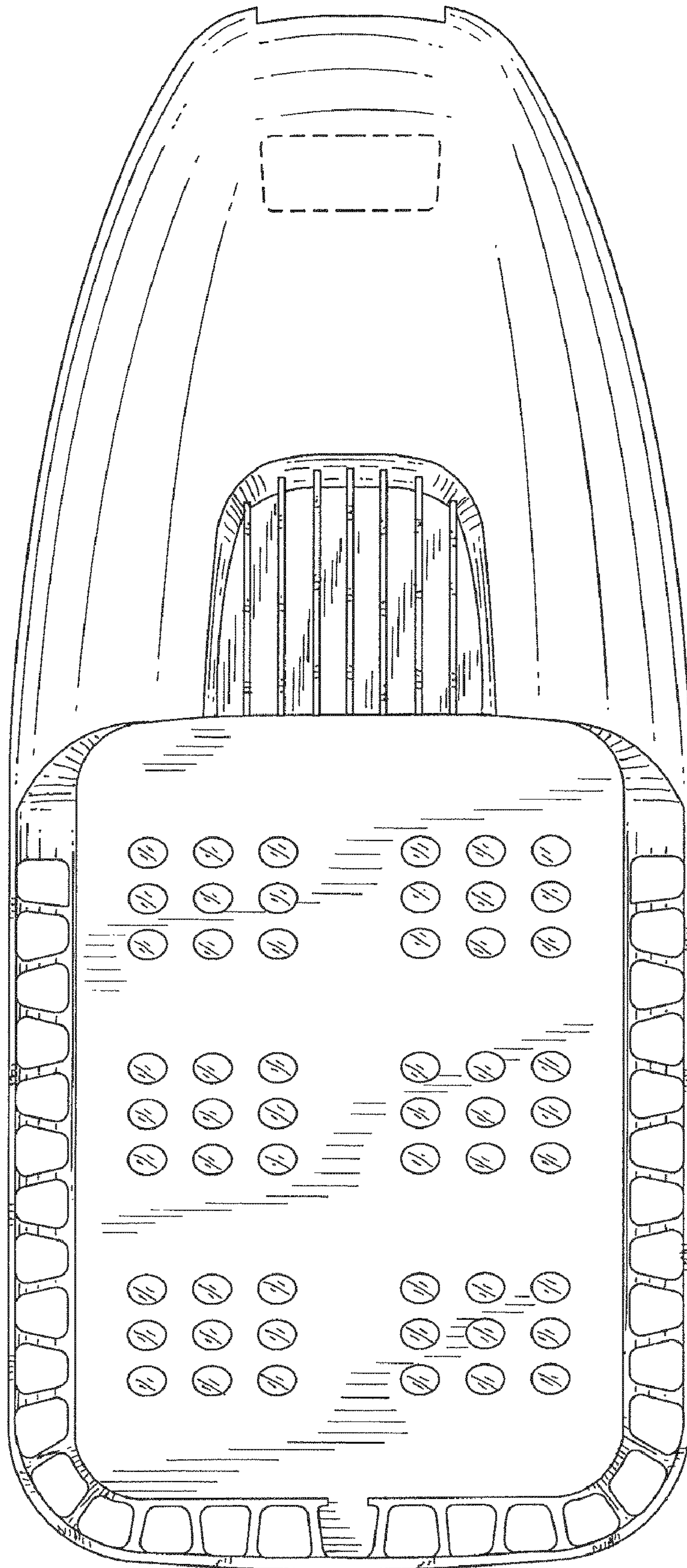


FIG. 7

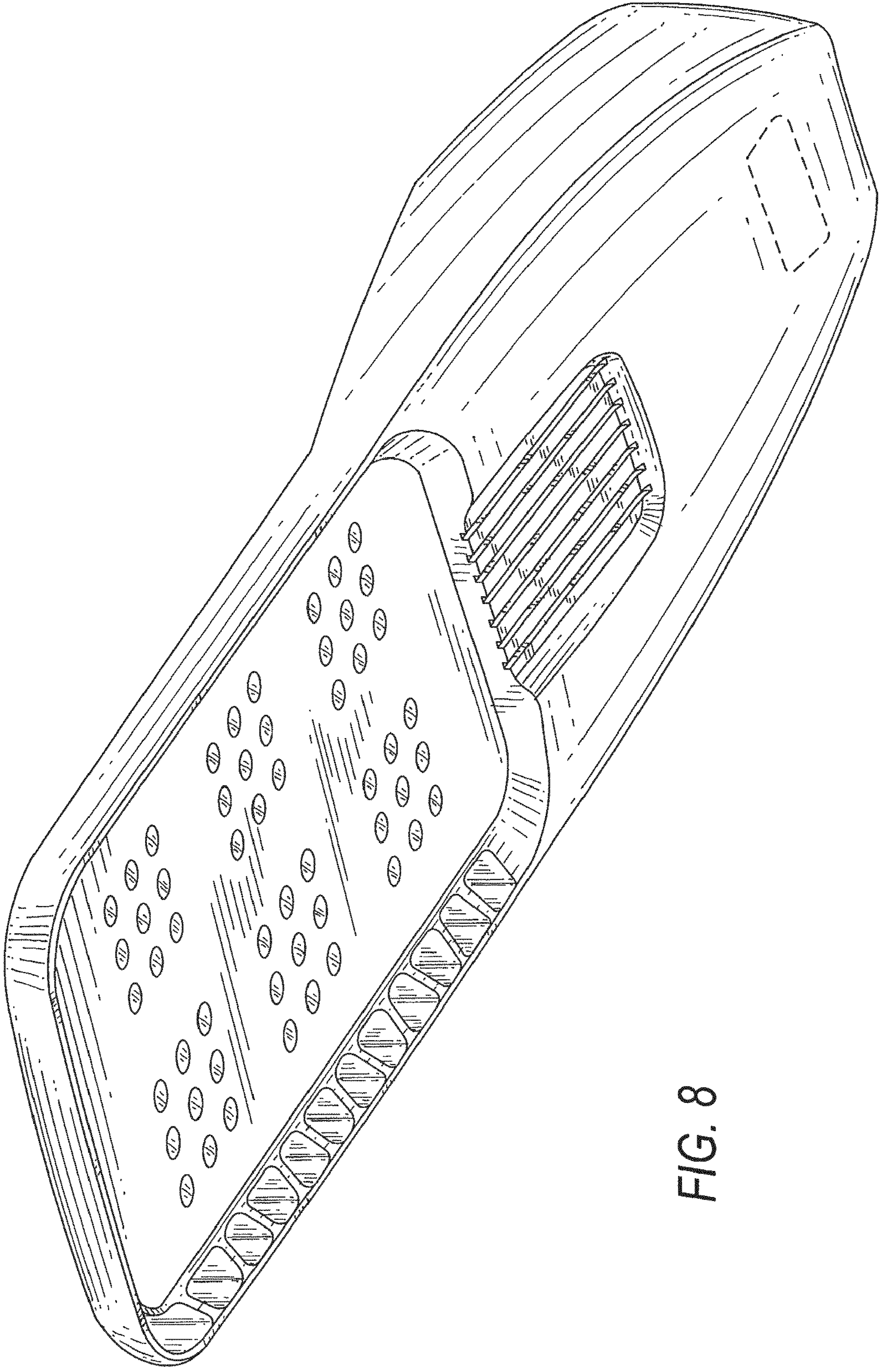


FIG. 8