



US00D676587S

(12) **United States Design Patent**  
**Fisher et al.**

(10) **Patent No.:** **US D676,587 S**  
(45) **Date of Patent:** **\*\* Feb. 19, 2013**

(54) **DESK FRONT LIGHT BOX**

(75) Inventors: **Kevin L. Fisher**, Erda, UT (US); **Jill A. Canales**, Salt Lake City, UT (US)

(73) Assignee: **3form, Inc.**, Salt Lake City, UT (US)

(\*\*) Term: **14 Years**

(21) Appl. No.: **29/355,552**

(22) Filed: **Feb. 9, 2010**

(51) **LOC (9) Cl.** ..... **26-05**

(52) **U.S. Cl.** ..... **D26/58**

(58) **Field of Classification Search** ..... D26/51,  
D26/58, 26, 31, 56, 72, 91, 95, 113, 85, 118,  
D26/38; 362/33, 253, 127, 130-134, 97;  
D21/338, 484, 492, 494, 400; D25/124;  
D6/396, 399, 397

See application file for complete search history.

(56) **References Cited**

**U.S. PATENT DOCUMENTS**

D242,590 S *	12/1976	Sklaroff .....	D6/428
D268,367 S *	3/1983	Paquette et al. ....	D26/76
D294,975 S *	3/1988	Lester .....	D26/34
D491,686 S *	6/2004	Citterio .....	D26/72
D492,360 S *	6/2004	Hardy .....	D19/92
D509,313 S *	9/2005	Friedman et al. ....	D26/71
D545,480 S *	6/2007	Guercio .....	D26/118
D587,923 S *	3/2009	Woods .....	D6/422
D603,626 S *	11/2009	Weatherly .....	D6/483
D606,788 S *	12/2009	Goldberg .....	D6/511
D616,504 S *	5/2010	Andersen .....	D21/491

D631,675 S *	2/2011	Russler .....	D6/399
D638,977 S *	5/2011	Heyrman .....	D26/85
D646,424 S *	10/2011	Ho .....	D26/85

\* cited by examiner

*Primary Examiner* — Ian Simmons

*Assistant Examiner* — Carissa C Fitts

(74) *Attorney, Agent, or Firm* — Workman Nydegger

(57) **CLAIM**

The ornamental design for a desk front light box, as shown and described.

**DESCRIPTION**

FIG. 1 is a facing, perspective view of a desk front light box, wherein the break lines within the desk front light box and corresponding bracket represent indeterminate length, and line shading within the break lines represent resin material in cross-section;

FIG. 2 is a front elevational view thereof;

FIG. 3 is a back elevational thereof;

FIG. 4 is a right elevational thereof;

FIG. 5 is a left elevational thereof;

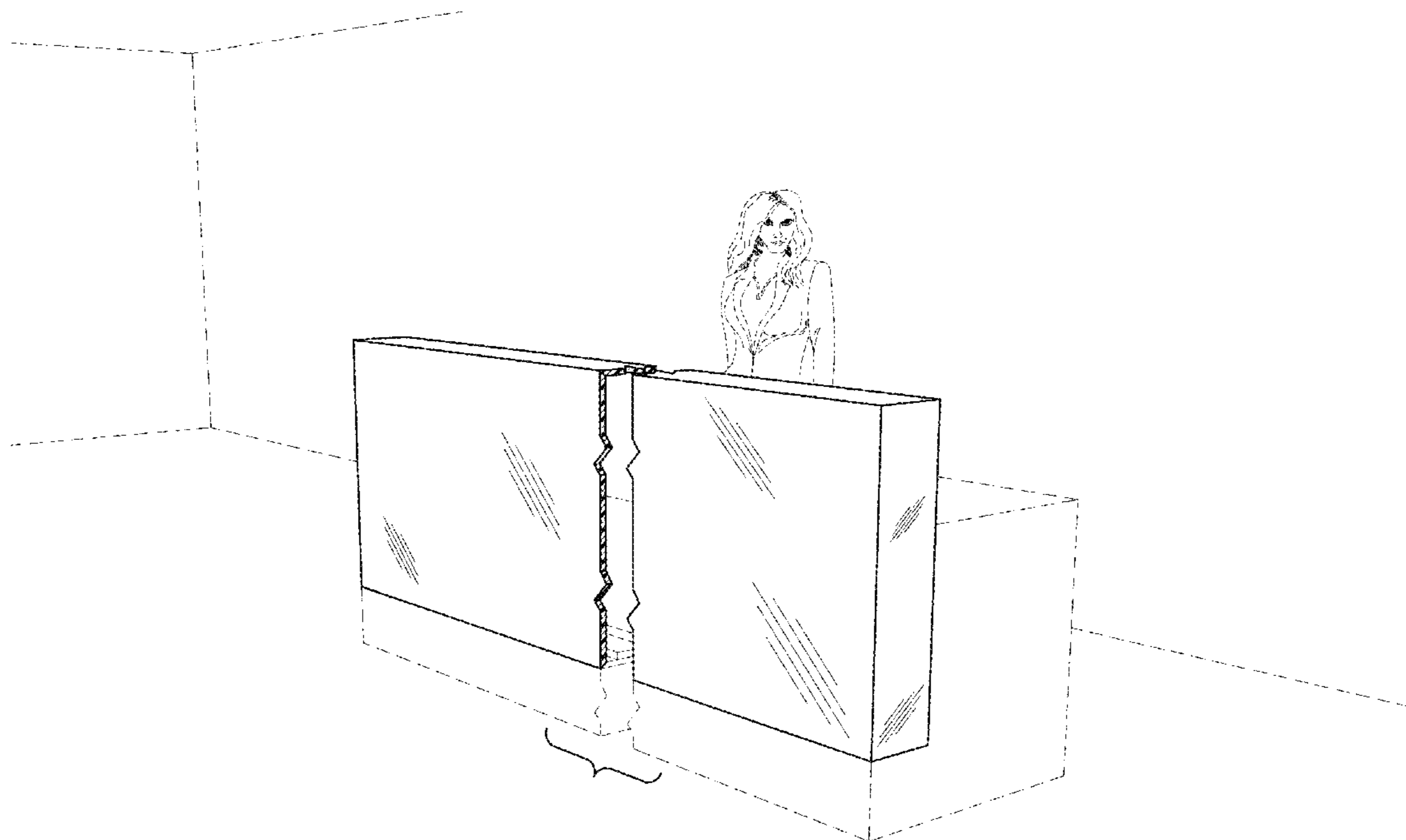
FIG. 6 is a top plan view thereof; and,

FIG. 7 is a cross-sectional view of thereof taken along line 7-7 of FIG. 6.

The back of the desk front light box configured to be covered by the desk is unornamented.

The broken lines immediately adjacent the shaded areas represent the bounds of the claimed design, while all other broken lines are for environmental or illustrative purposes only; the broken lines form no part of the claimed design.

**1 Claim, 3 Drawing Sheets**



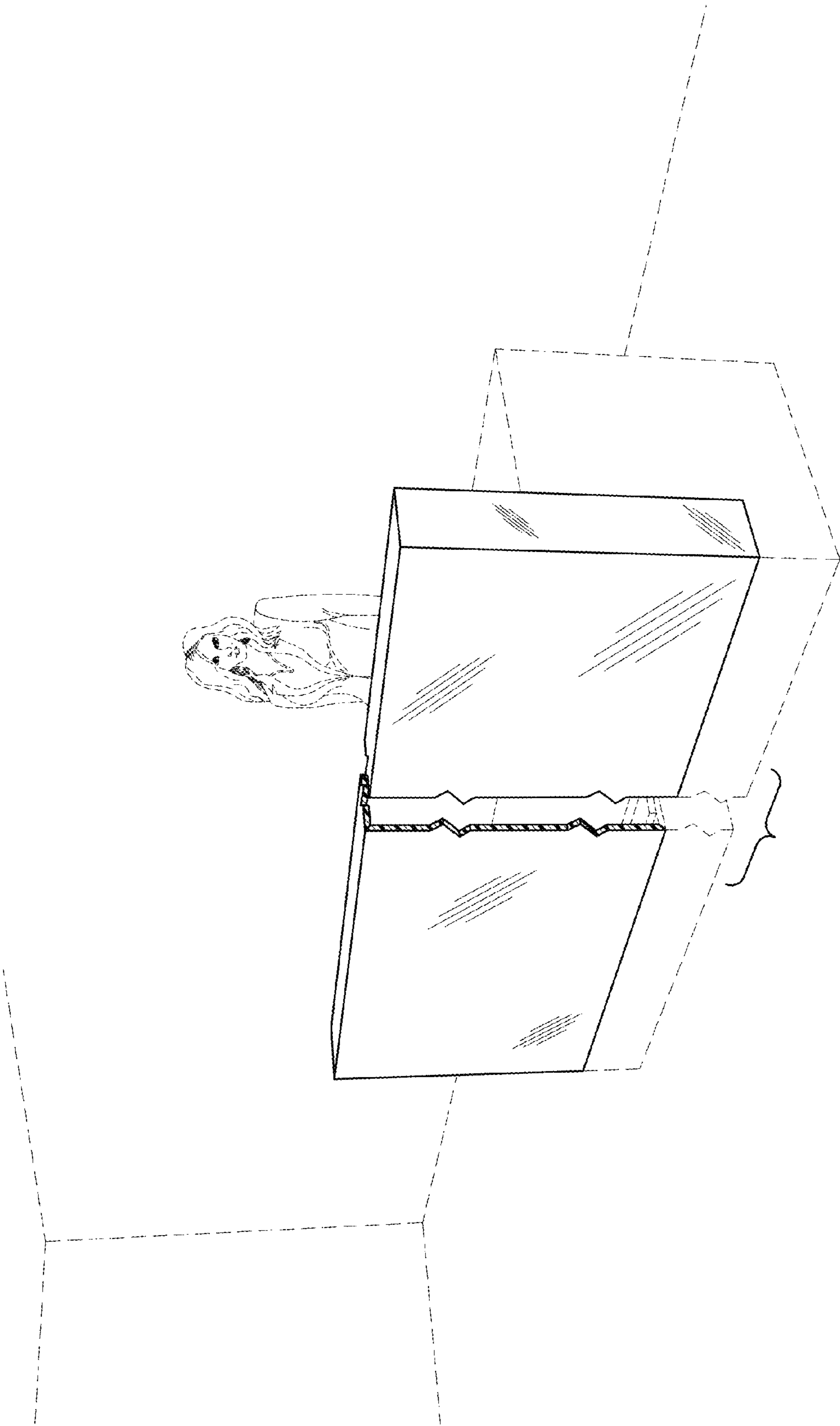
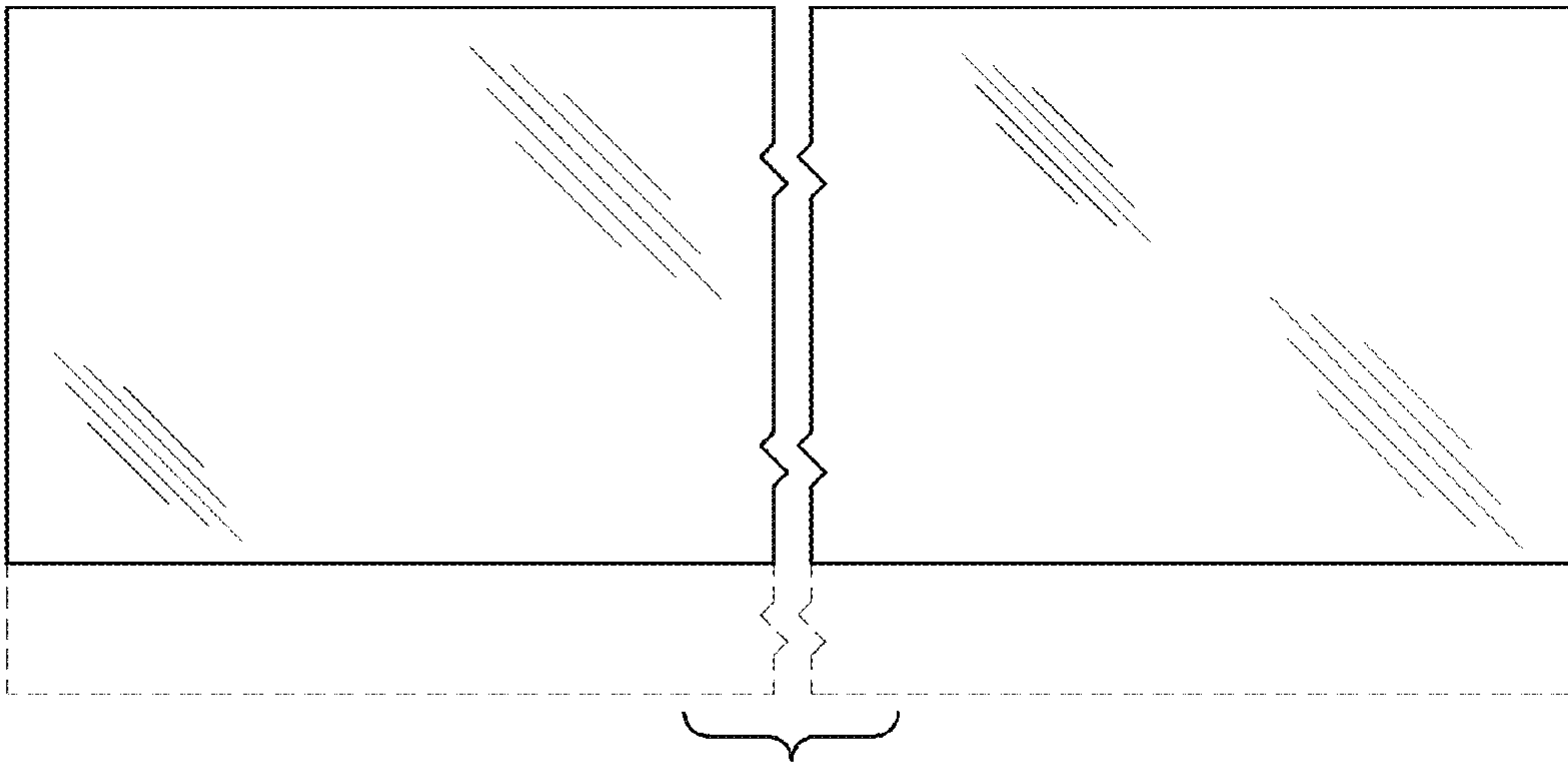
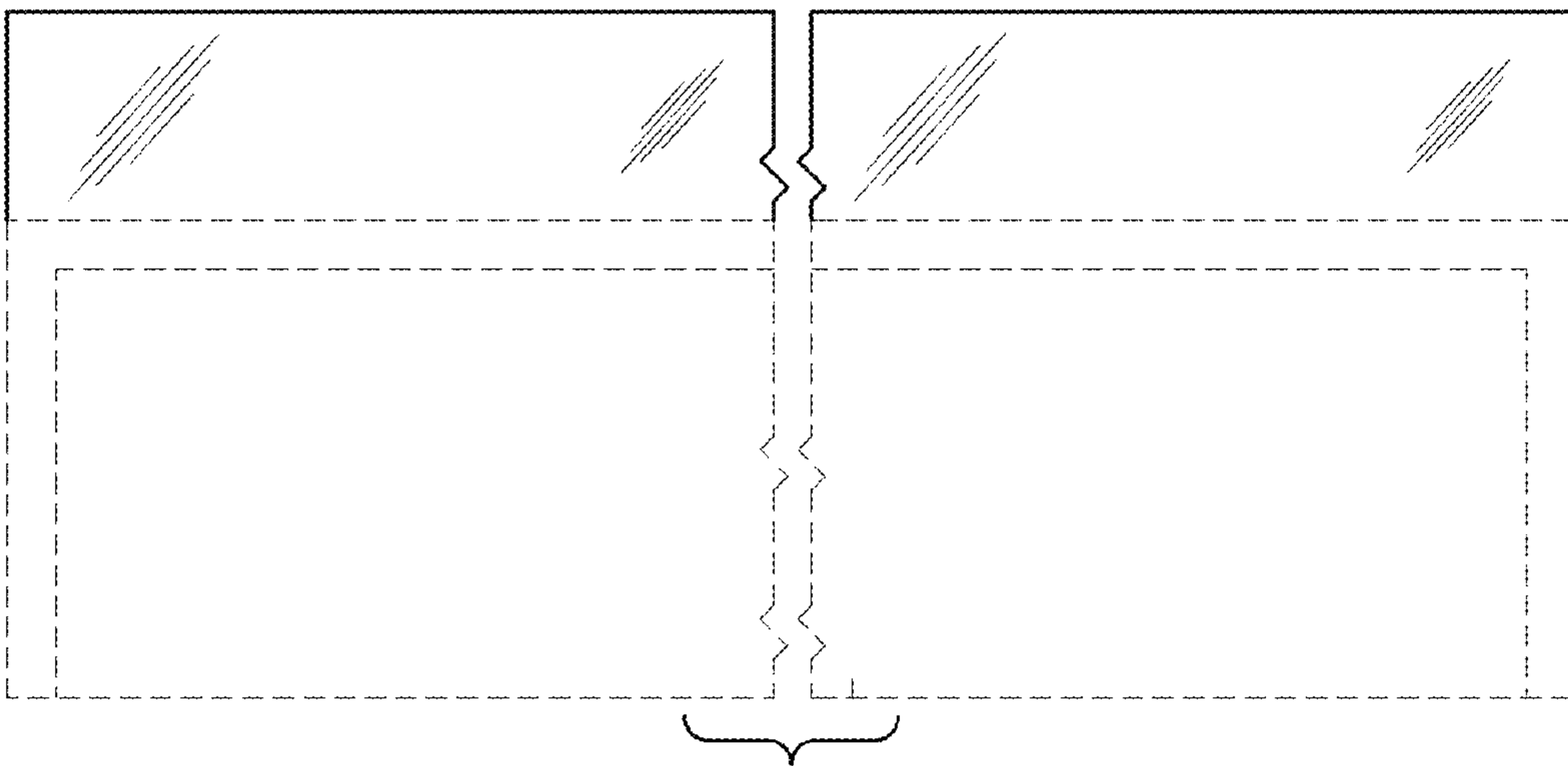


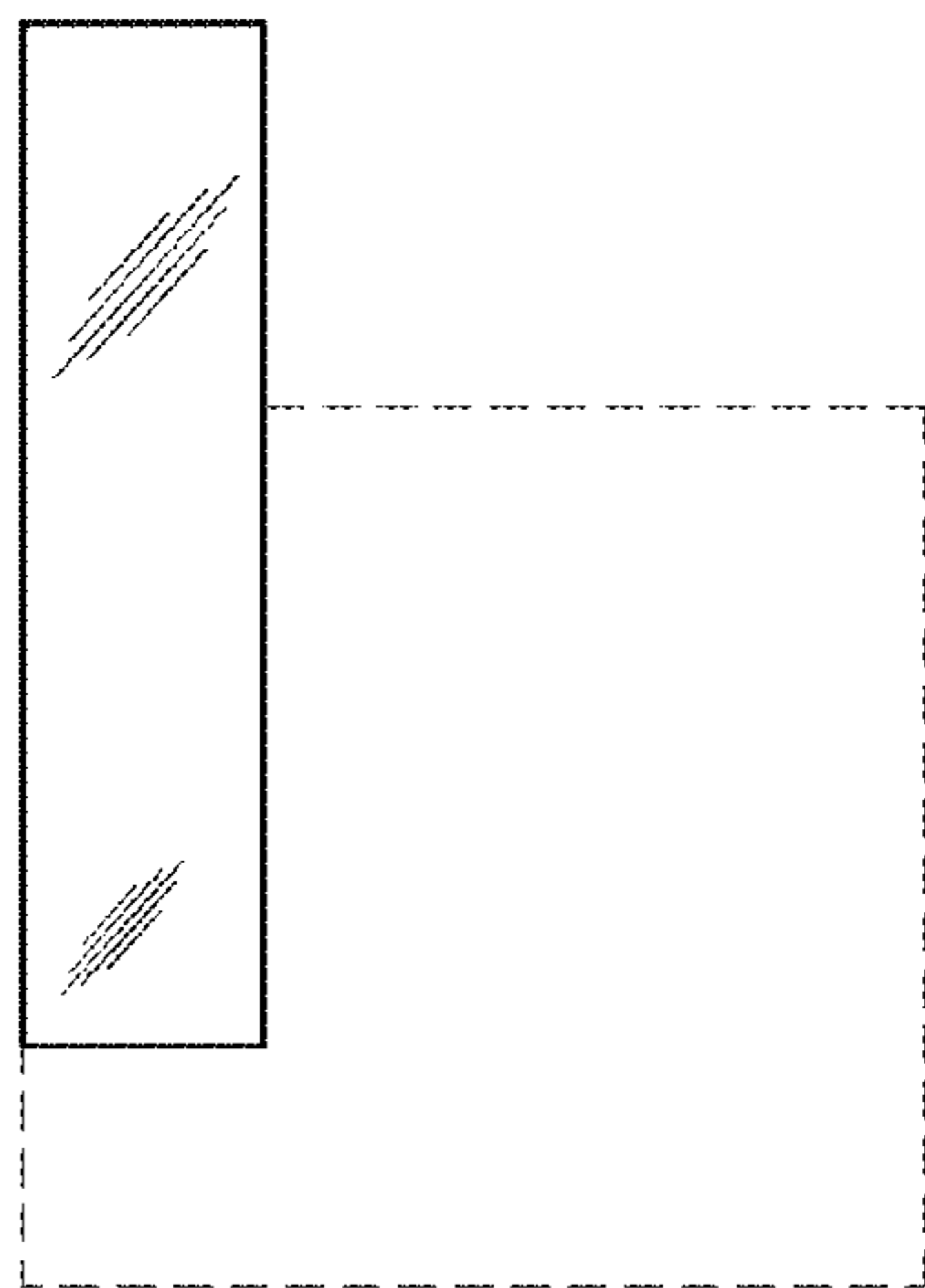
Fig. 1



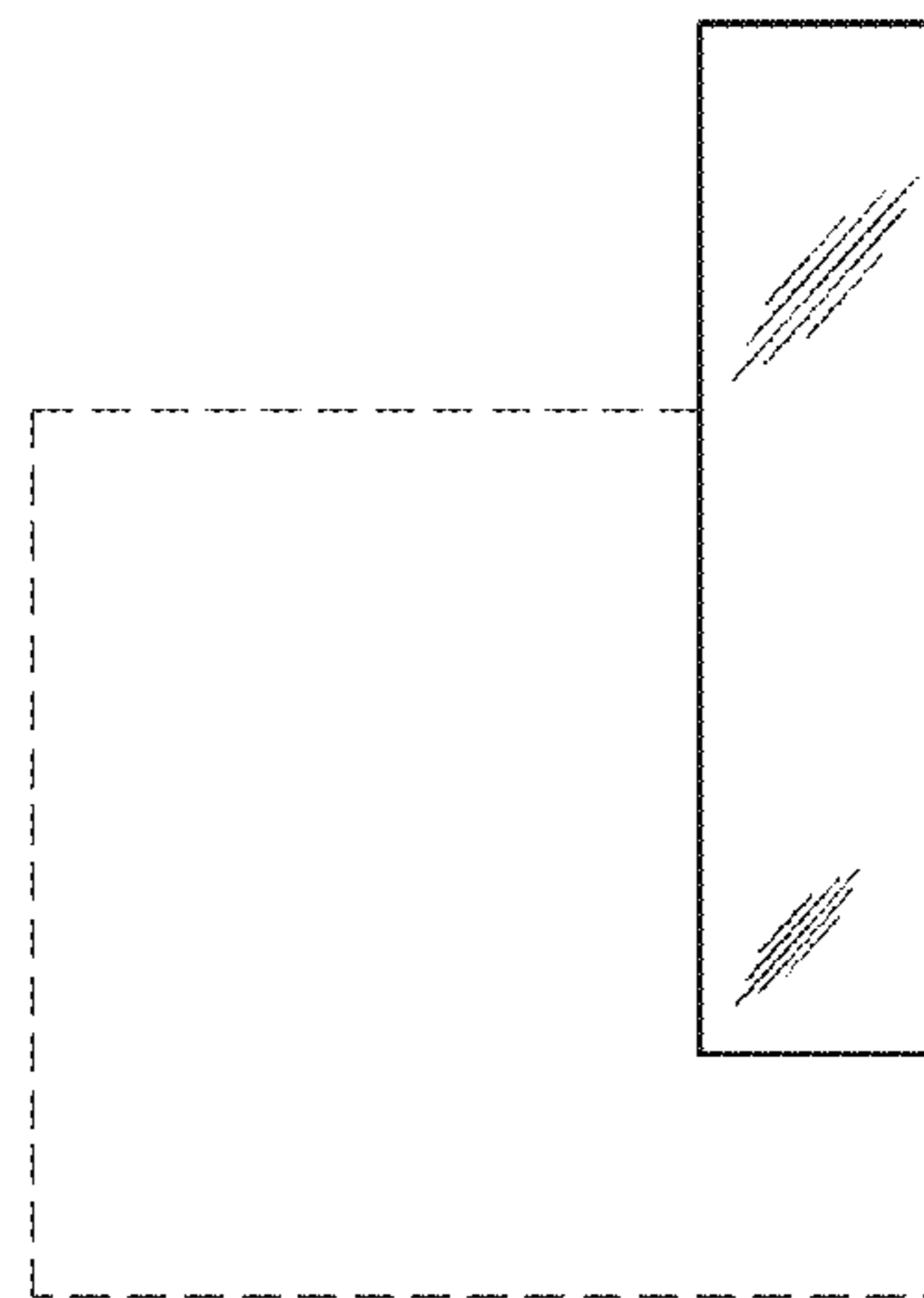
**Fig. 2**



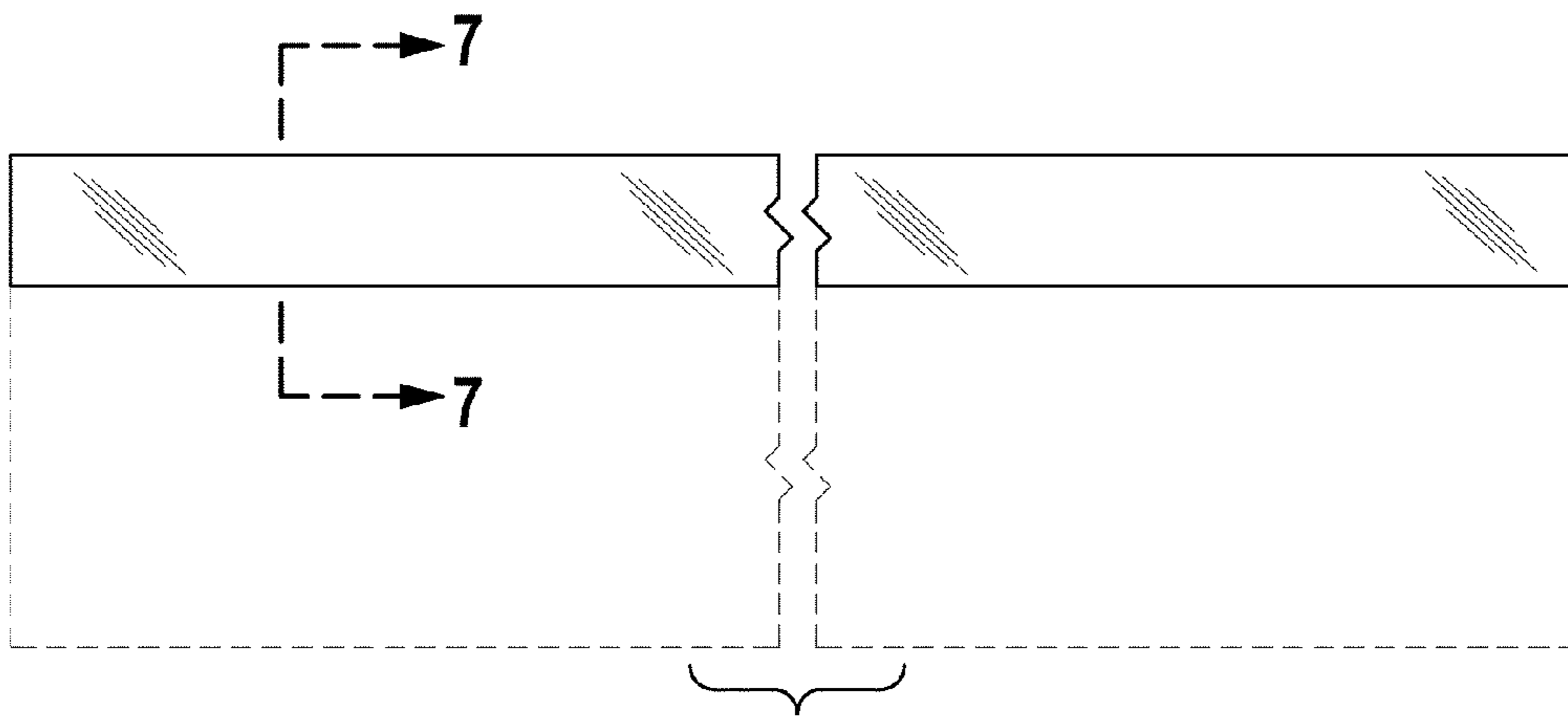
**Fig. 3**



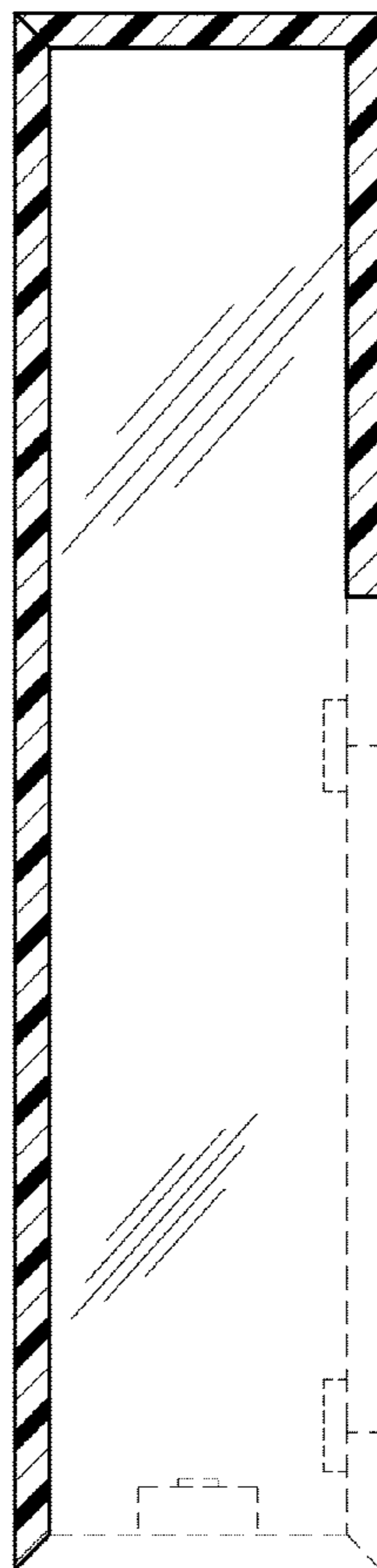
**Fig. 4**



**Fig. 5**



**Fig. 6**



**Fig. 7**