



US00D676585S

(12) **United States Design Patent**
Du et al.

(10) **Patent No.:** **US D676,585 S**
(45) **Date of Patent:** **** Feb. 19, 2013**

(54) **LAMP**

(75) Inventors: **Cheng-Hsiu Du**, Taoyuan Hsien (TW);
Chun-Min Huang, Taoyuan Hsien (TW)

(73) Assignee: **Delta Electronics, Inc.**, Taoyuan (TW)

(**) Term: **14 Years**

(21) Appl. No.: **29/425,367**

(22) Filed: **Jun. 21, 2012**

(30) **Foreign Application Priority Data**

Jun. 5, 2012 (TW) 101303227

(51) **LOC (9) Cl.** **26-06**

(52) **U.S. Cl.** **D26/2**

(58) **Field of Classification Search** D26/1-4;
313/313, 315, 316, 317, 318, 493; 315/52,
315/53, 56, 57, 58

See application file for complete search history.

(56) **References Cited**

U.S. PATENT DOCUMENTS

D508,575	S	*	8/2005	Buschmann et al.	D26/2
D528,227	S	*	9/2006	Chou et al.	D26/2
D531,741	S	*	11/2006	Takahashi	D26/2
D534,665	S	*	1/2007	Egawa et al.	D26/2
D538,953	S	*	3/2007	Mama	D26/2
D541,440	S	*	4/2007	Feit	D26/2
D653,366	S	*	1/2012	Le et al.	D26/2

* cited by examiner

Primary Examiner — Marcus Jackson

(74) *Attorney, Agent, or Firm* — Chun Ming Shih; HDLS
IPR Services

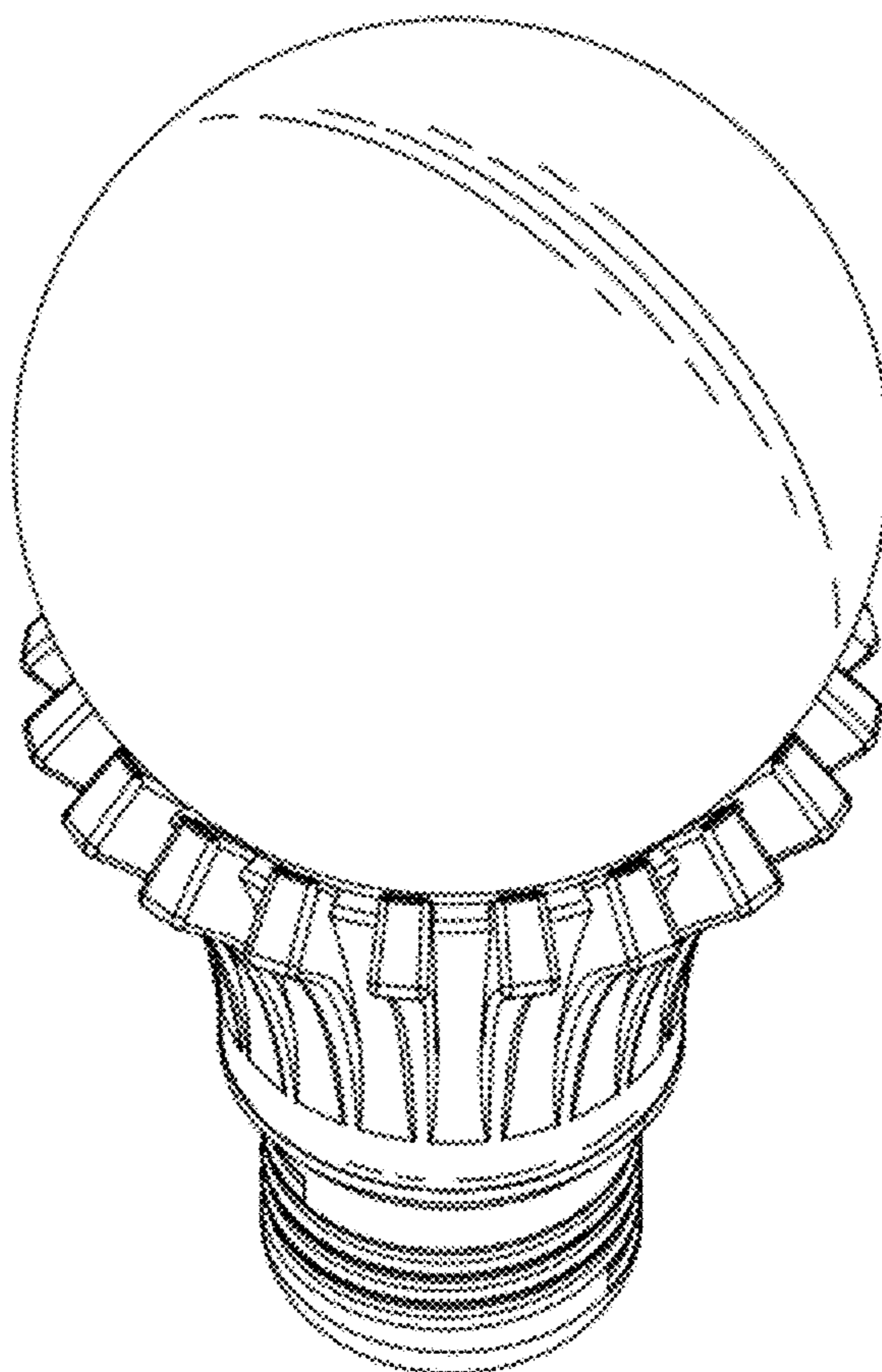
(57) **CLAIM**

The ornamental design for a lamp, as shown and described.

DESCRIPTION

FIG. 1 is a perspective view of a lamp showing my new design;
FIG. 2 is a front view thereof;
FIG. 3 is a rear view thereof;
FIG. 4 is a left side view thereof;
FIG. 5 is a right side view thereof;
FIG. 6 is a top view thereof; and,
FIG. 7 is a bottom view thereof.

1 Claim, 6 Drawing Sheets



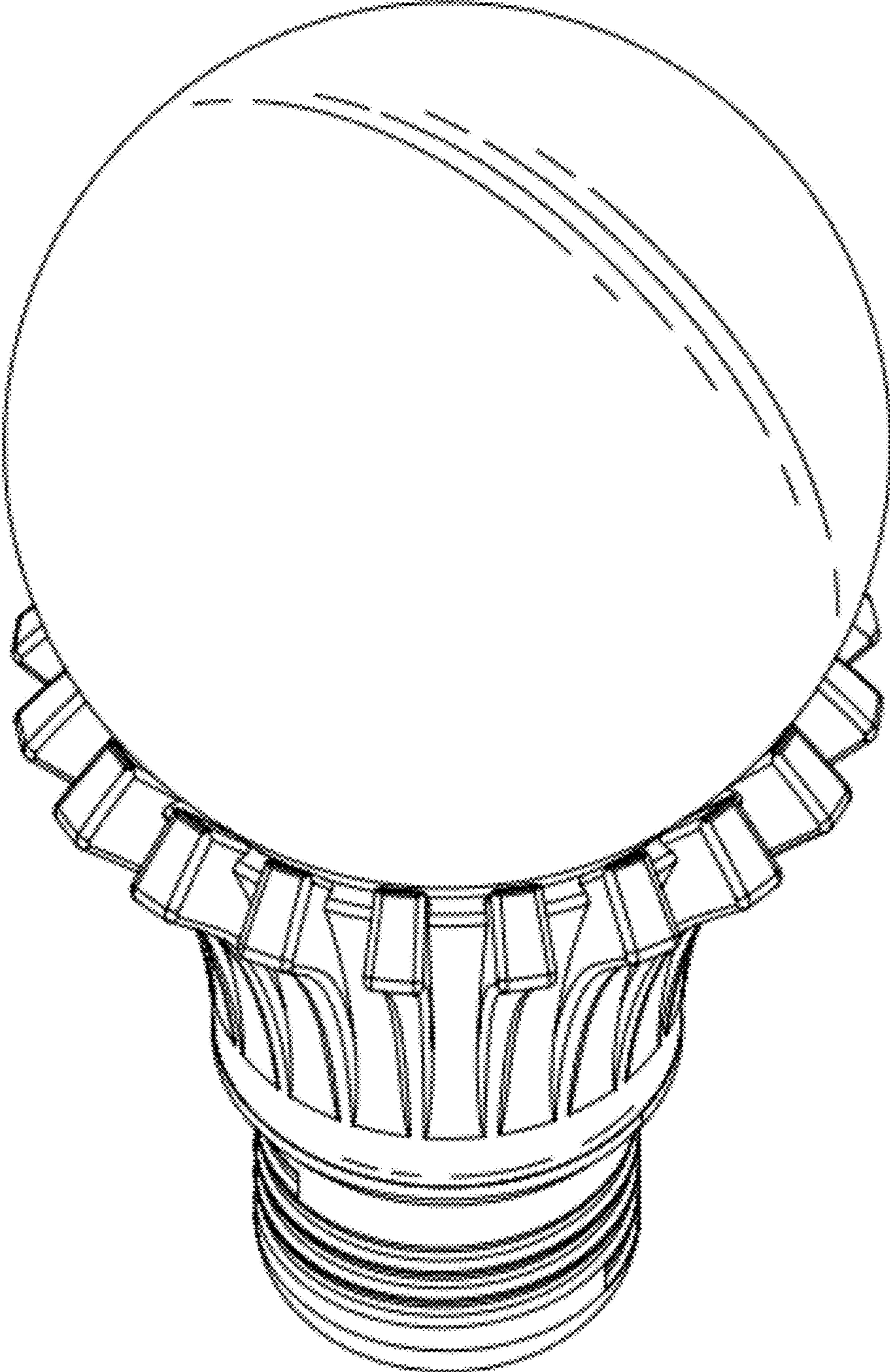


FIG. 1

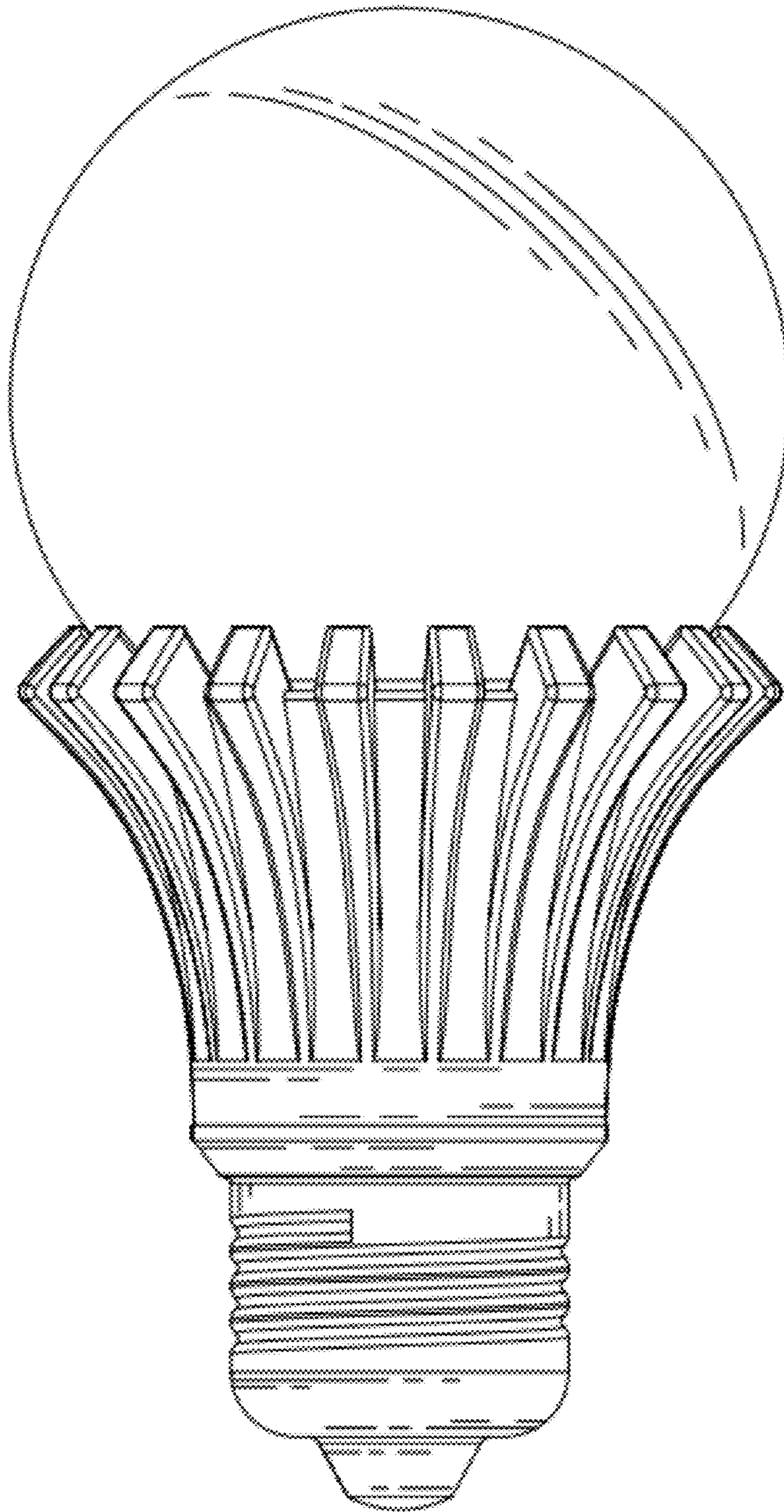


FIG. 2

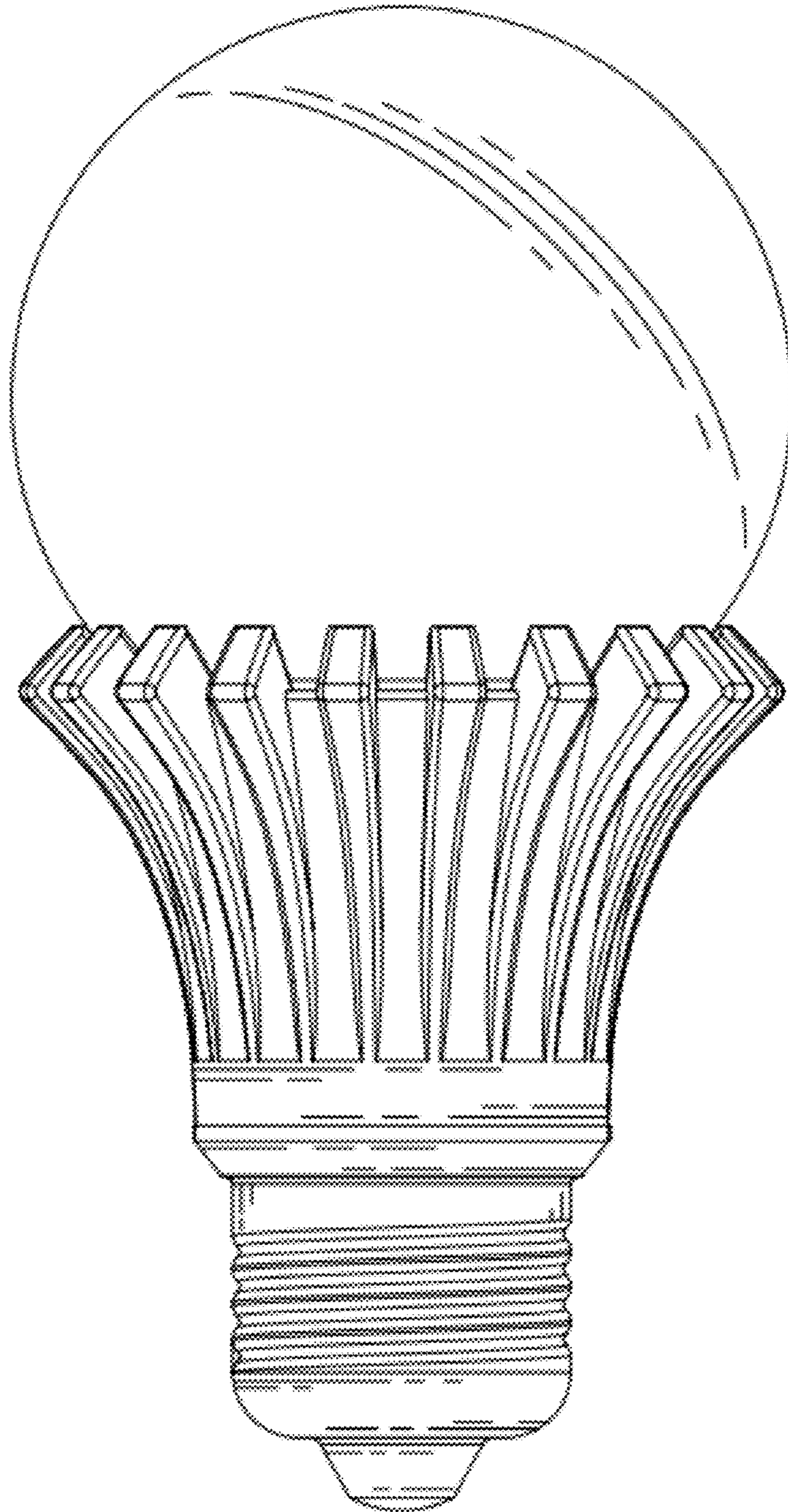


FIG. 3

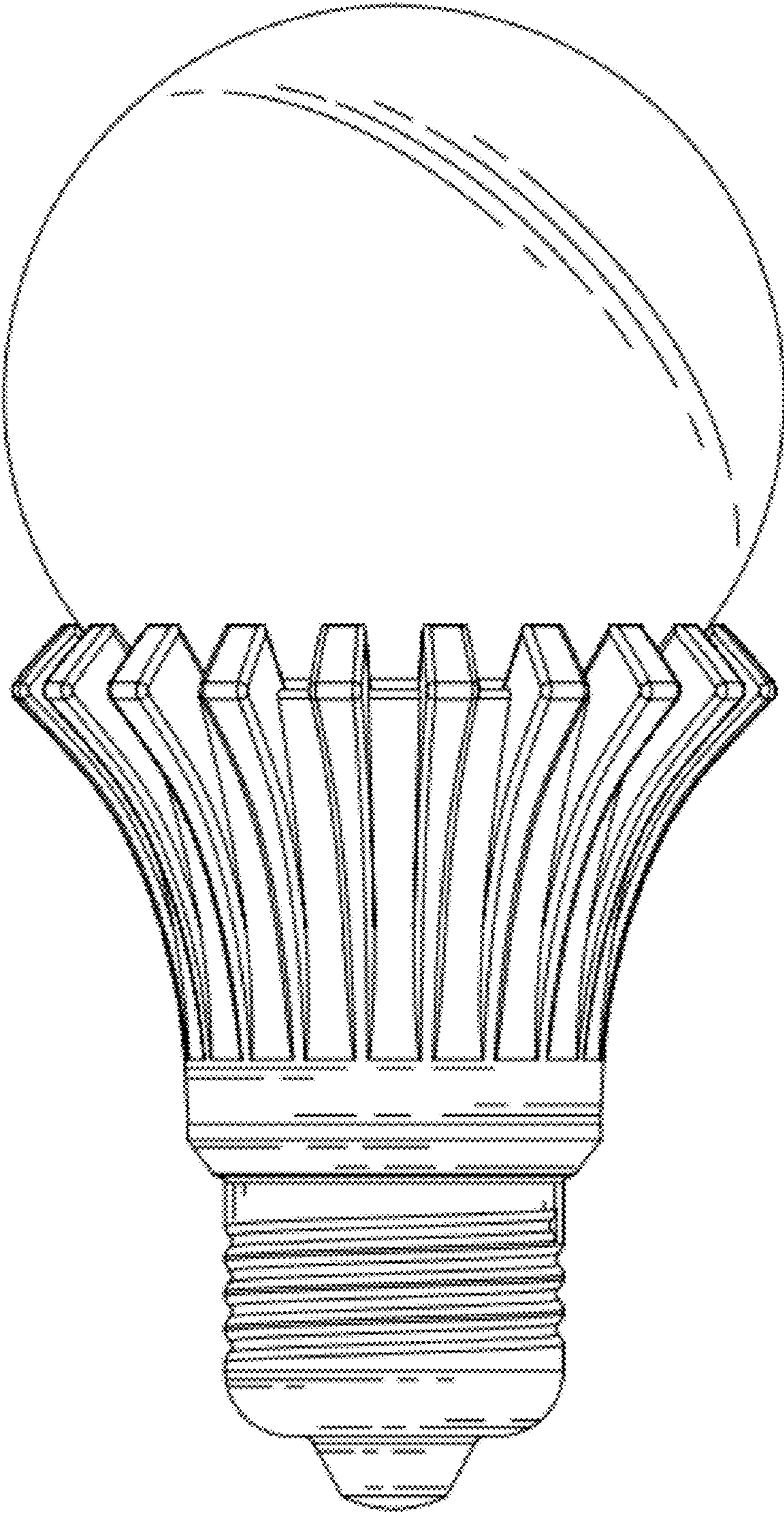


FIG. 4

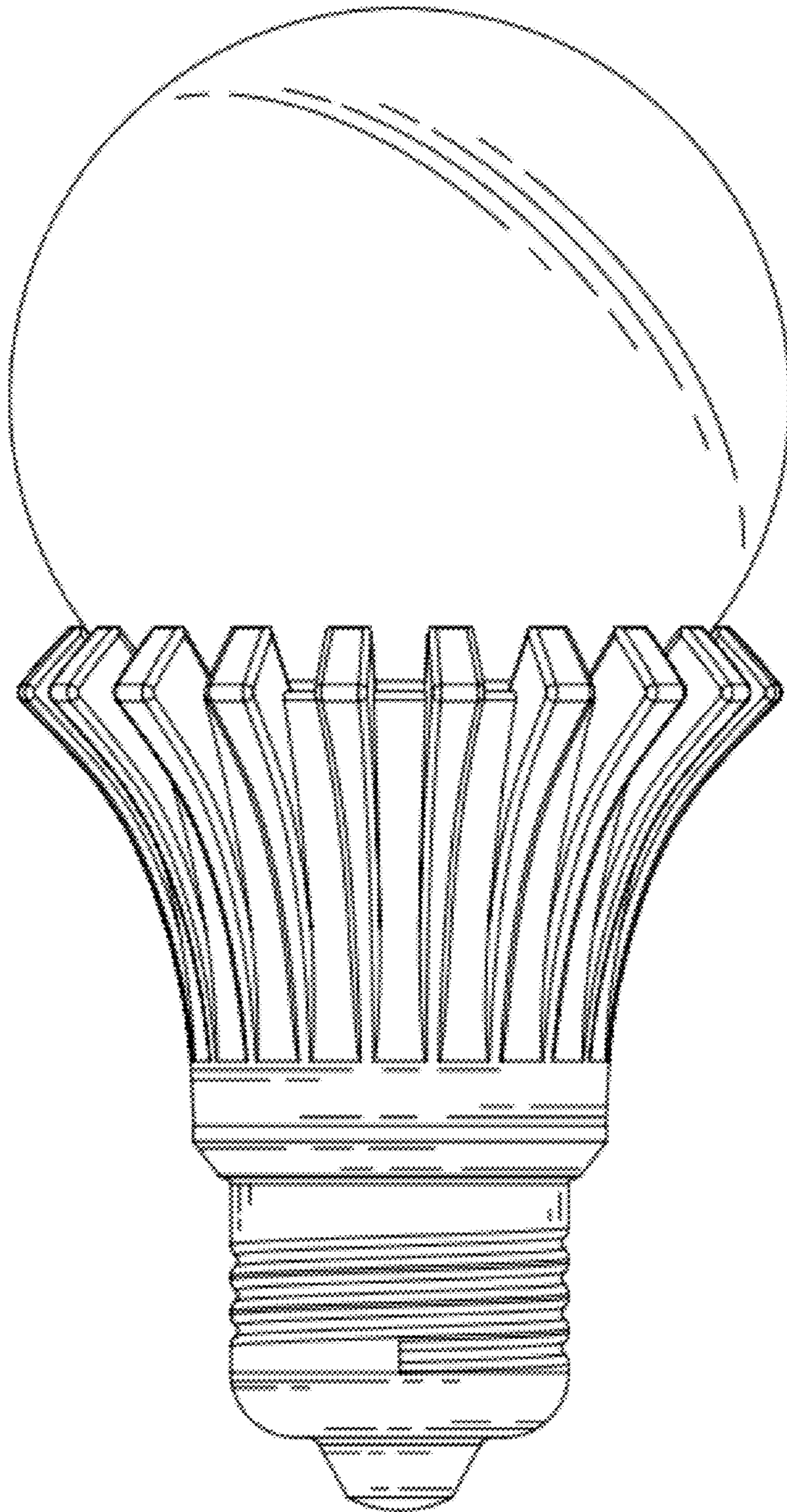


FIG. 5

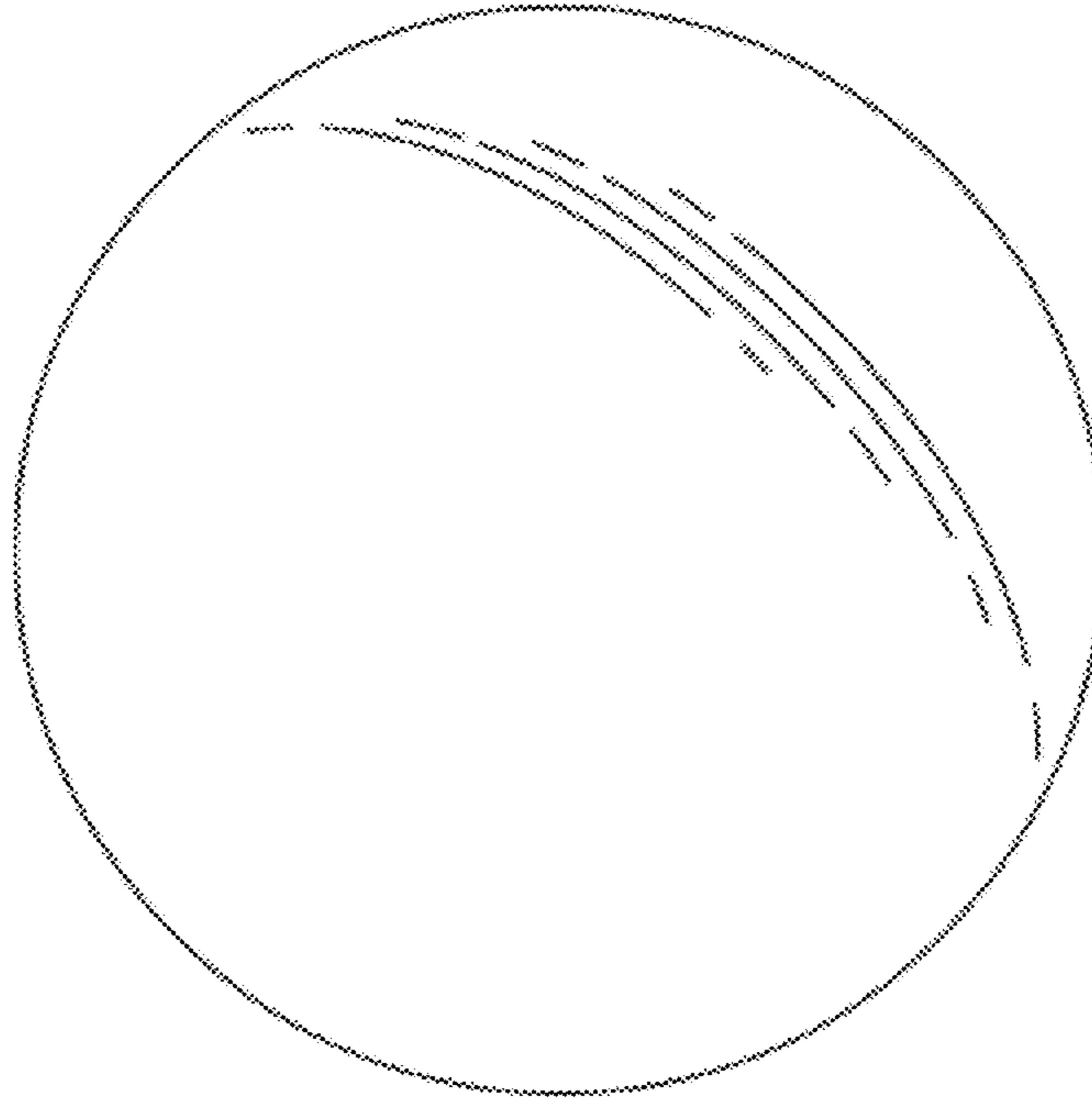


FIG. 6

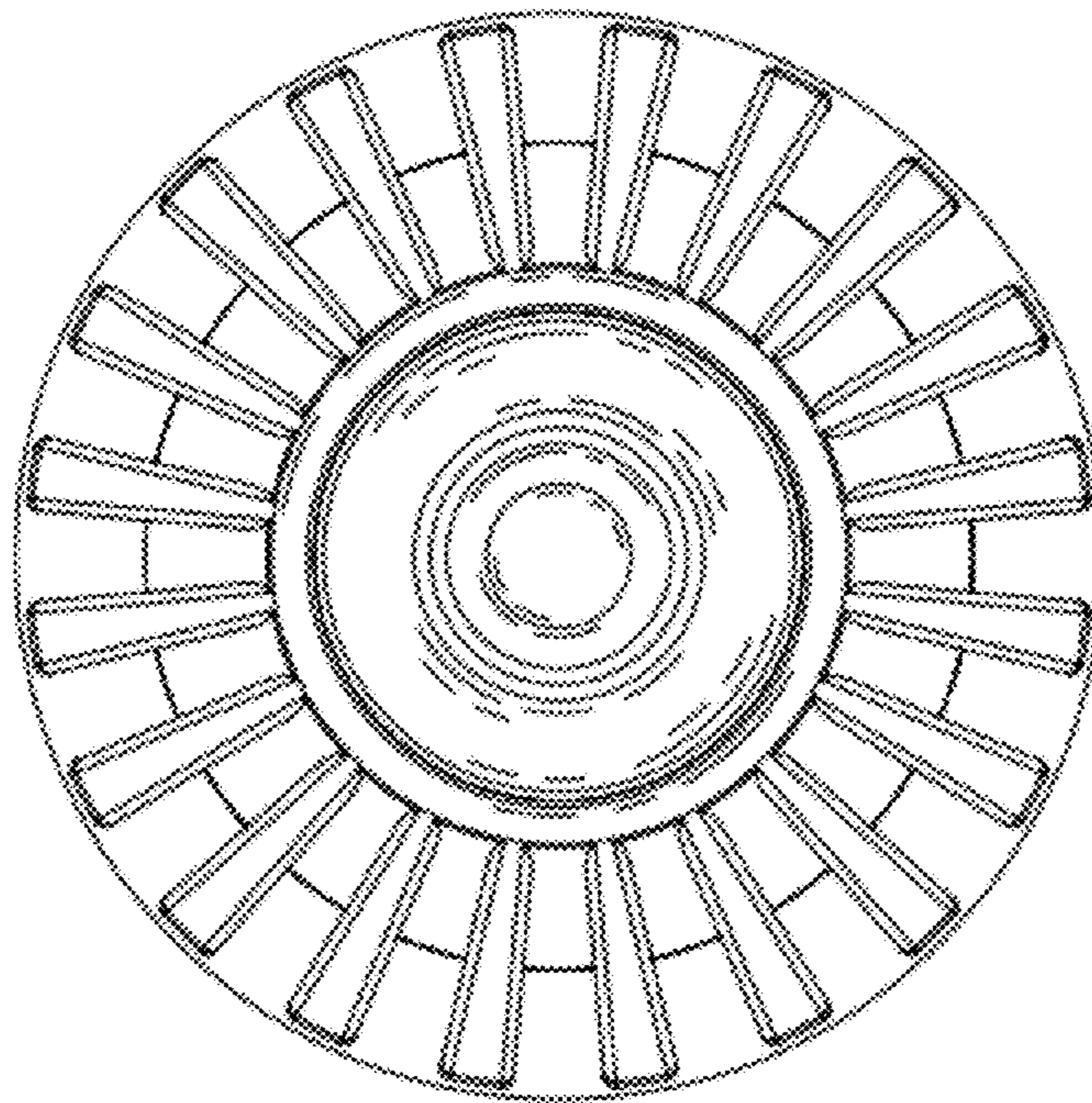


FIG. 7