



US00D676584S

(12) **United States Design Patent**
Maxik et al.

(10) **Patent No.:** **US D676,584 S**
(45) **Date of Patent:** **** Feb. 19, 2013**

(54) **LUMINAIRE**

(75) Inventors: **Fredric S. Maxik**, Indialantic, FL (US);
David Henderson, Indialantic, FL (US);
Mark Penley Boomgaarden, Satellite
Beach, FL (US); **Addy S. Widjaja**, Palm
Bay, FL (US); **Emilio Flores**, Indian
Harbor, FL (US); **Shane Sullivan**,
Indialantic, FL (US); **Wei Sun**,
Indialantic, FL (US)

D480,486 S 10/2003 Kakuno et al.
6,655,823 B2 12/2003 Chang
6,786,625 B2 9/2004 Wesson
D497,439 S 10/2004 Shaw et al.
6,848,812 B1 2/2005 Hsieh

(Continued)

FOREIGN PATENT DOCUMENTS

WO 2006118457 11/2006
WO 2008113837 A2 9/2008

OTHER PUBLICATIONS

<http://img.diytrade.com/cdimg/395588/7678937/> . . . <http://images.google.com/imgres?imgurl=http://img.diytrade.com/cdimg/3> . . .

(Continued)

(73) Assignee: **Lighting Science Group Corporation**,
Satellite Beach, FL (US)

(**) Term: **14 Years**

(21) Appl. No.: **29/423,683**

(22) Filed: **Jun. 4, 2012**

Primary Examiner — Marcus Jackson

(74) *Attorney, Agent, or Firm* — Cantor Colburn LLP

Related U.S. Application Data

(62) Division of application No. 29/411,107, filed on Jan. 17, 2012, which is a division of application No. 29/360,982, filed on May 4, 2010, now Pat. No. Des. 663,446.

(51) **LOC (9) Cl.** **26-04**

(52) **U.S. Cl.** **D26/2**

(58) **Field of Classification Search** D26/1-4;
313/313, 315, 316, 317, 318, 493; 315/52,
315/53, 56, 57, 58

See application file for complete search history.

(57) **CLAIM**

We claim, the ornamental design for a luminaire, as shown and described.

DESCRIPTION

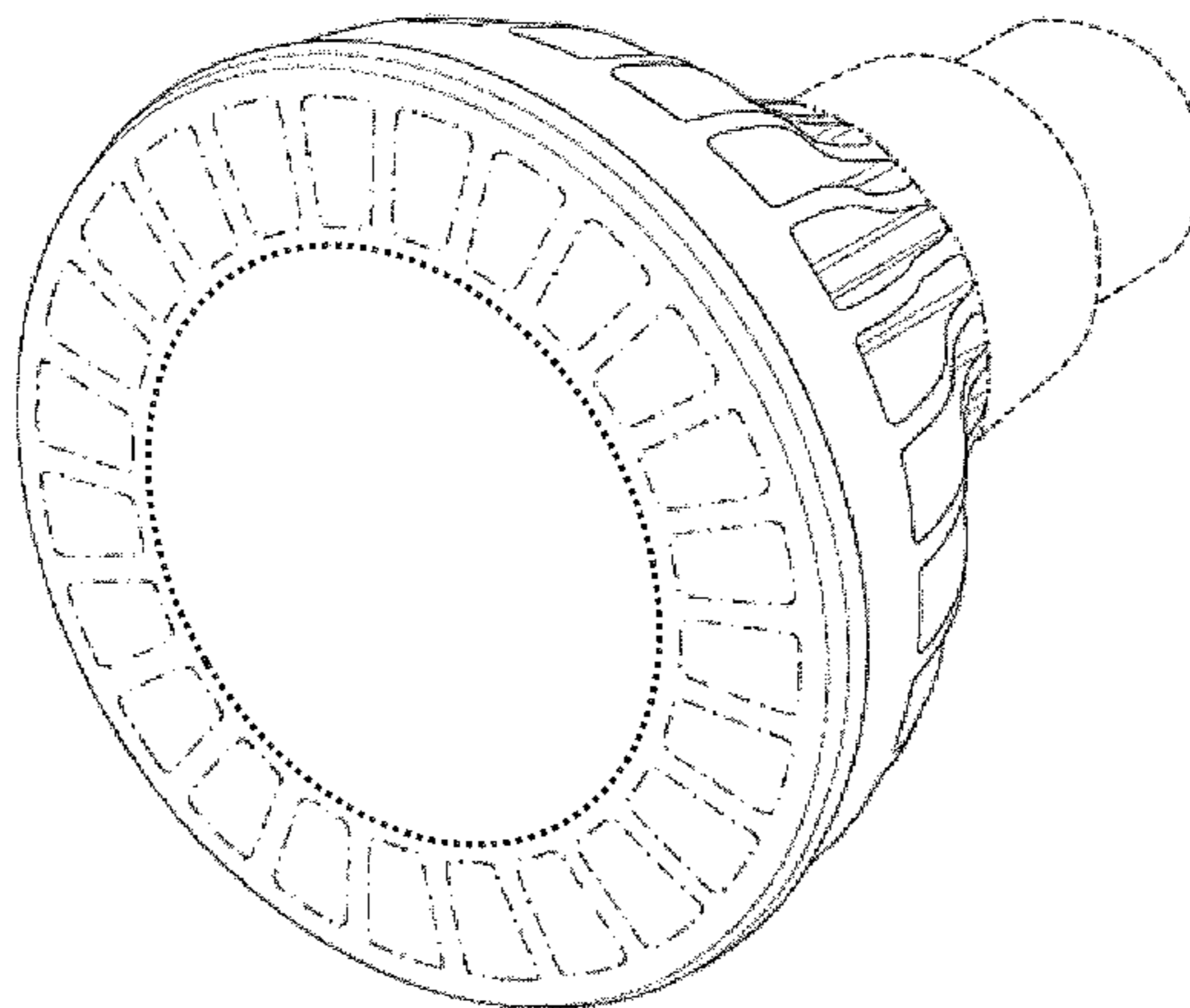
FIG. 1 is a side view of a second embodiment of the invention, the luminaire being symmetric about a center axis; FIG. 2 is a top view of the embodiment of FIG. 1; FIG. 3 is a bottom view of the embodiment of FIG. 1; and, FIG. 4 is a first perspective view of the embodiment of FIG. 1. The dotted lines shown in FIGS. 1, 2, and 4 indicate that the outer diameter and shape of the lens represented by the dotted lines may have any size diameter and may be flat or curved. The dash-dot-dot lines shown between the heat sink portion and base portion in FIGS. 1, 3 and 4 indicate the heat sink portion may be of any length. The phantom lines shown in FIGS. 1, 3 and 4 are environmental and not part of the claimed design. The dash-dot lines shown in FIG. 1-4 indicate that the vent elements are environment and not part of the claimed design. The broken line showing of top and bottom of the bulb is included for the purpose of illustrating only and forms no part of the claimed design.

1 Claim, 4 Drawing Sheets

(56) **References Cited**

U.S. PATENT DOCUMENTS

4,375,607 A 3/1983 Morton et al.
4,392,076 A 7/1983 Ishler et al.
D271,424 S 11/1983 Young et al.
D307,805 S 5/1990 Noe
D321,260 S 10/1991 Bowman
5,458,505 A 10/1995 Prager
D391,006 S 2/1998 Yang
5,791,769 A 8/1998 Yang
D470,610 S 2/2003 Bobel
6,515,433 B1 2/2003 Ge et al.



U.S. PATENT DOCUMENTS

D508,575 S 8/2005 Buschmann et al.
 D516,229 S 2/2006 Tang
 D527,119 S 8/2006 Maxik et al.
 D528,227 S 9/2006 Chou et al.
 D528,673 S 9/2006 Maxik et al.
 D531,741 S 11/2006 Takahashi
 D534,665 S 1/2007 Egawa et al.
 D538,950 S 3/2007 Maxik
 D538,951 S 3/2007 Maxik et al.
 D538,952 S 3/2007 Maxik et al.
 D541,957 S 5/2007 Wang
 D542,943 S 5/2007 Wang
 D545,457 S 6/2007 Chen
 7,226,189 B2 6/2007 Lee et al.
 D546,980 S 7/2007 Lo
 D549,854 S 8/2007 Takahashi
 D560,286 S 1/2008 Maxik et al.
 D563,572 S 3/2008 Lukacs
 D566,300 S 4/2008 Lo
 7,367,688 B1 5/2008 Bucher et al.
 D570,504 S 6/2008 Maxik et al.
 D570,505 S 6/2008 Maxik et al.
 D572,358 S 7/2008 Mazzochette et al.
 D572,385 S 7/2008 Mazzochette et al.
 7,434,964 B1 10/2008 Zheng et al.
 D581,554 S 11/2008 To et al.
 D581,583 S 11/2008 Peng
 7,448,772 B2 11/2008 Hampton
 D584,837 S 1/2009 Mazzochette et al.
 D586,497 S 2/2009 Wu et al.
 7,513,653 B1 4/2009 Liu et al.
 D593,222 S 5/2009 To et al.
 D594,143 S 6/2009 Montagnat et al.
 D594,995 S 6/2009 Komar
 D595,893 S 7/2009 Maxik et al.
 D597,225 S 7/2009 Yoo
 D597,704 S 8/2009 Peng
 D599,041 S 8/2009 Yoo
 D600,850 S 9/2009 Maxik et al.
 D601,275 S 9/2009 Ho et al.
 D601,276 S 9/2009 Grajcar
 D601,277 S 9/2009 Grajcar
 D601,278 S 9/2009 Takahashi
 D601,279 S 9/2009 Ou et al.
 D607,586 S 1/2010 Ko
 D608,478 S 1/2010 Maxik et al.
 D610,271 S 2/2010 Bi
 D610,722 S 2/2010 Bi
 D612,956 S 3/2010 Moon
 D613,433 S 4/2010 Moon
 7,717,590 B1 5/2010 Li
 D617,915 S 6/2010 Wada et al.
 D618,369 S 6/2010 Lee et al.

D620,153 S 7/2010 Wang et al.
 D621,973 S 8/2010 Grajcar
 D621,974 S 8/2010 Grajcar
 D623,777 S 9/2010 Moon et al.
 D623,778 S 9/2010 Moon et al.
 D623,779 S 9/2010 Wang et al.
 D624,214 S 9/2010 Thomas et al.
 D624,215 S 9/2010 Moon et al.
 D624,669 S 9/2010 Tsai
 D625,437 S 10/2010 Zhang et al.
 D626,260 S 10/2010 Wei
 D626,667 S 11/2010 Jonsson et al.
 D627,087 S 11/2010 Jonsson et al.
 D628,322 S 11/2010 Sakai et al.
 D628,720 S 12/2010 Wang
 D629,129 S 12/2010 Lin et al.
 D629,930 S 12/2010 Cotter et al.
 D630,347 S * 1/2011 Pei et al. D26/2
 D634,031 S 3/2011 de Visser et al.
 D634,037 S 3/2011 Jeong et al.
 D635,105 S 3/2011 Maxik et al.
 D636,902 S 4/2011 Pei et al.
 D636,904 S 4/2011 Leahy et al.
 D640,820 S 6/2011 Hopper
 D646,409 S 10/2011 MacDonald et al.
 D648,041 S 11/2011 Mahler et al.
 D650,495 S 12/2011 Foo
 D652,564 S 1/2012 Maxik
 D654,192 S 2/2012 Maxik et al.
 D656,631 S 3/2012 Leahy et al.
 D658,791 S 5/2012 Maxik et al.
 D659,266 S 5/2012 Maxik et al.
 D662,627 S 6/2012 Pan
 D663,051 S 7/2012 Xu et al.
 D663,057 S 7/2012 Pan
 D663,446 S 7/2012 Maxik et al.
 D665,107 S 8/2012 Tu
 2006/0215408 A1 9/2006 Lee
 2007/0285926 A1 12/2007 Maxik
 2008/0253125 A1 10/2008 Kang et al.
 2009/0141500 A1 6/2009 Peng
 2009/0296402 A1 12/2009 Chang et al.
 2010/0027270 A1 2/2010 Huang et al.
 2010/0091487 A1 4/2010 Shin

OTHER PUBLICATIONS

SP-E27 LB60 Nicha / Cree LED Lamp, posted Dec. 18, 2008, http://www.diytrade.com/china/4/products/4950147/SP-E27_LB60_Nicha_Cree_LED_Lamp.html, accessed Jun. 30, 2009.
 F.S. Maxik, "GU10 Lamp" Office Action mailed Mar. 16, 2011; U.S. Appl. No. 29/340,670, filed Jul. 23, 2009.

* cited by examiner

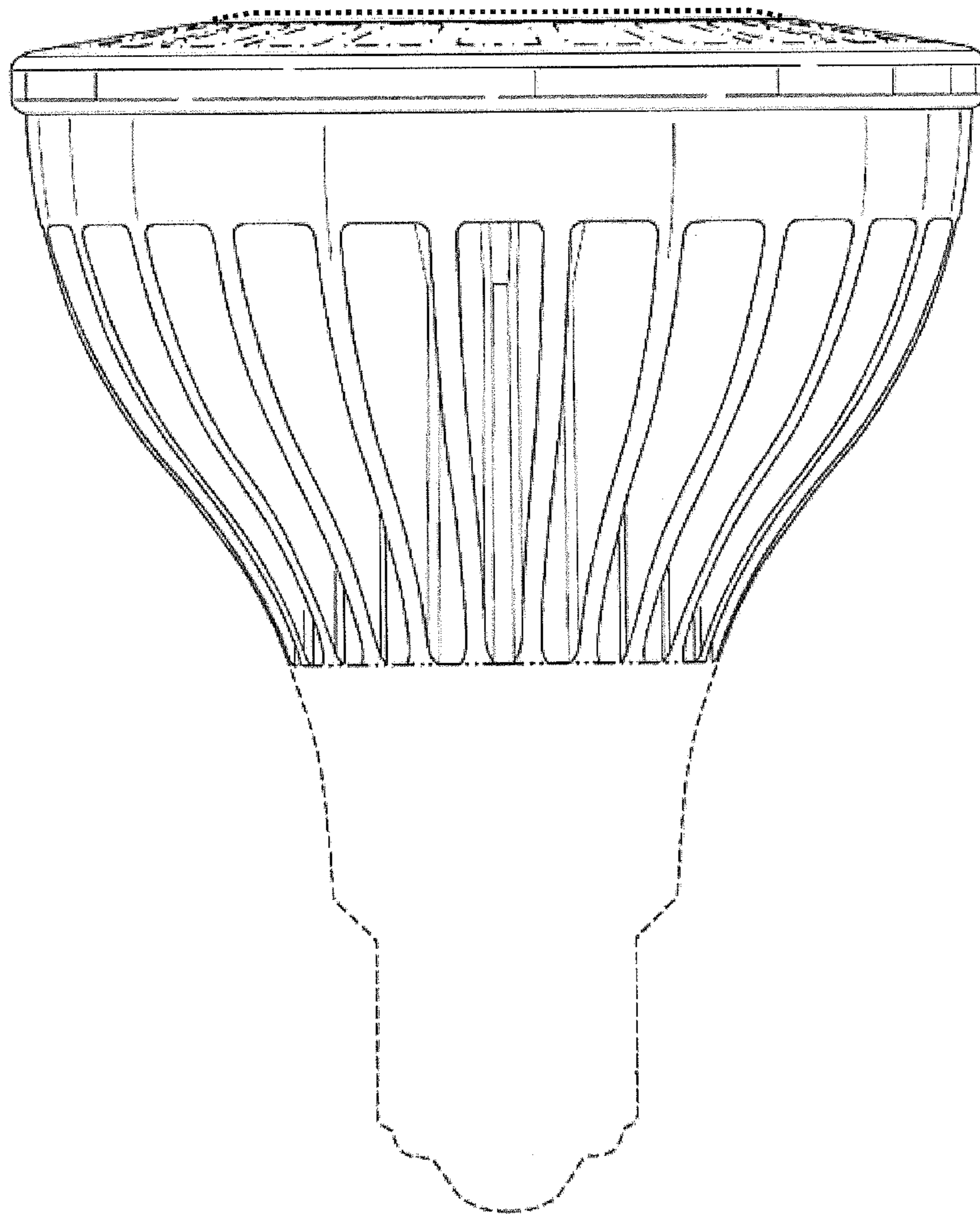


FIG. 1

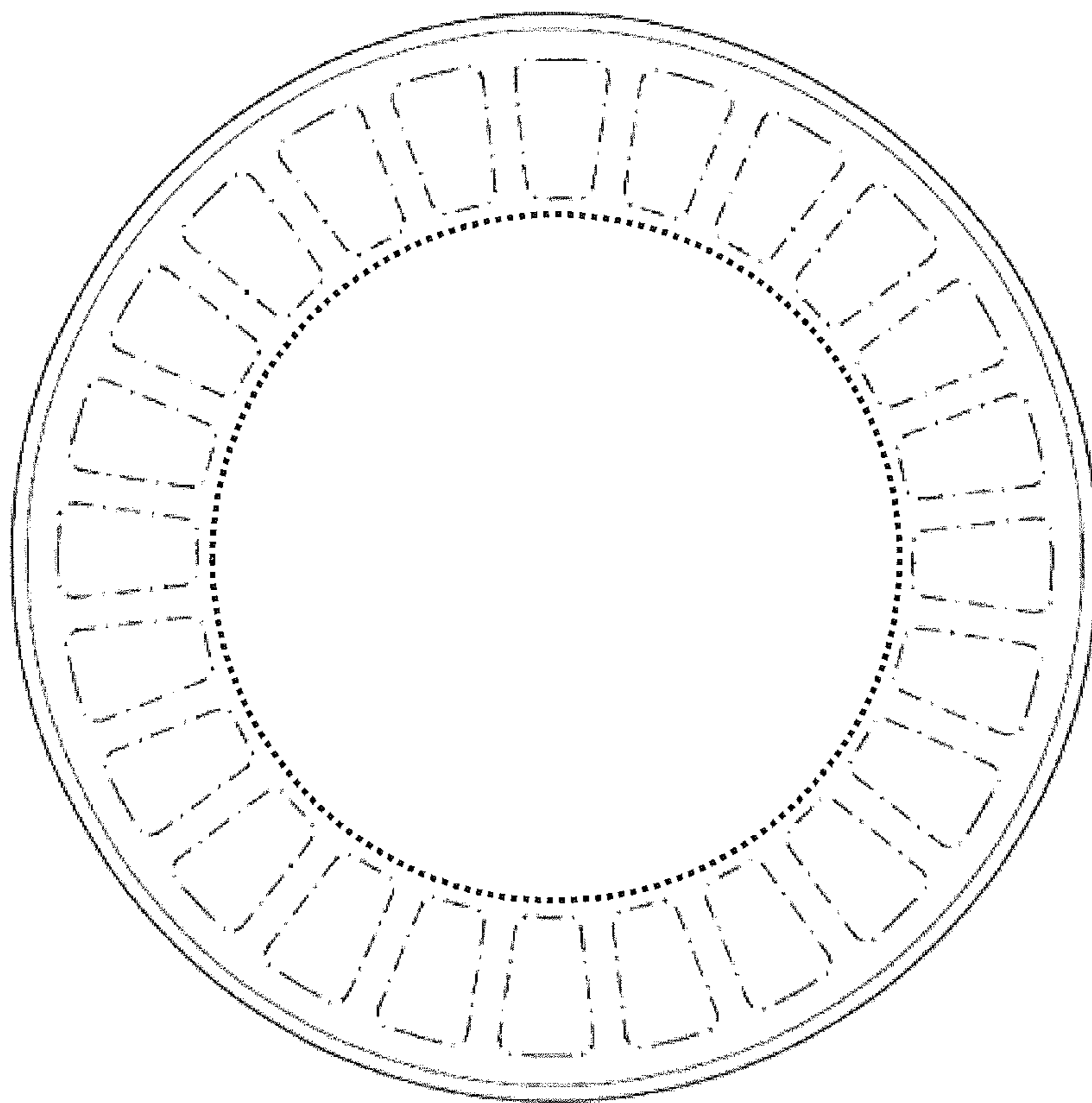


FIG. 2

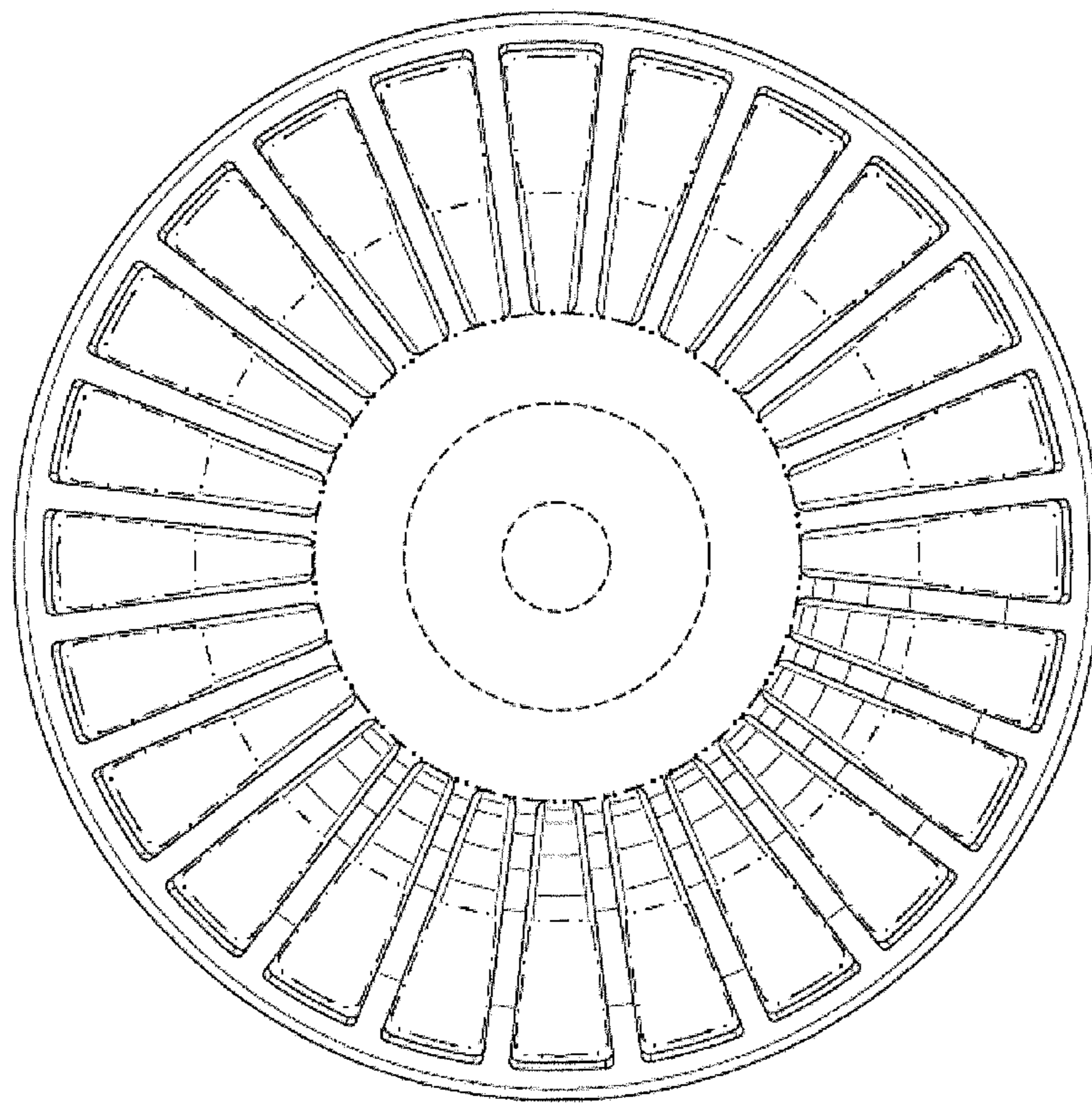


FIG. 3

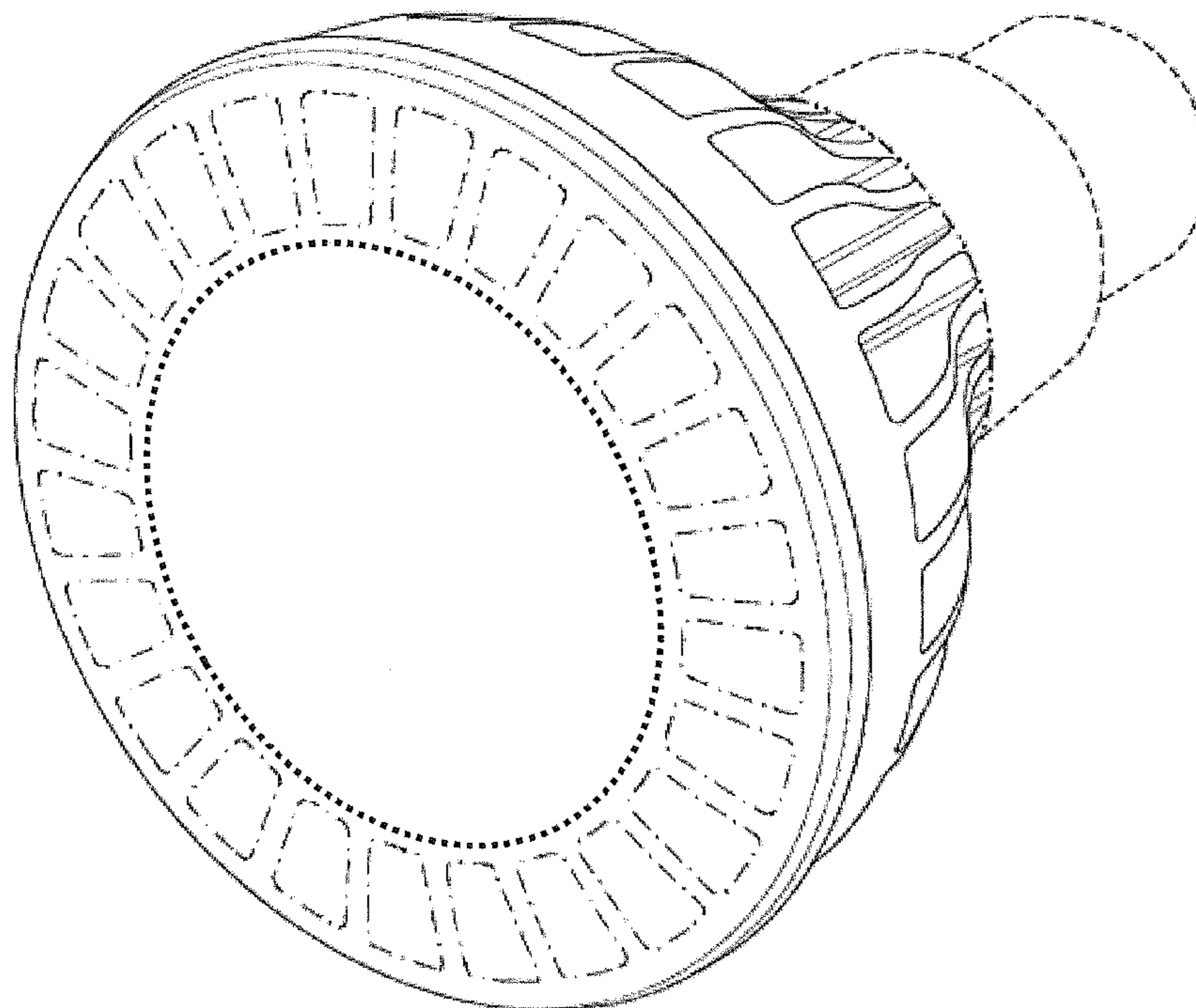


FIG. 4