



US00D676577S

(12) **United States Design Patent**
Irving et al.

(10) **Patent No.:** **US D676,577 S**
(45) **Date of Patent:** **** Feb. 19, 2013**

(54) **SOFT CAP FOR DASHER BOARD**
(75) Inventors: **Bruce W. Irving**, Walters Falls (CA);
Matthew R. Palumbo, Maple Grove,
MN (US)

(73) Assignee: **Sport Systems Unlimited Corp.**,
Plymouth, MN (US)

(**) Term: **14 Years**

(21) Appl. No.: **29/413,446**

(22) Filed: **Feb. 15, 2012**

Related U.S. Application Data

(62) Division of application No. 11/422,754, filed on Jun. 7,
2006.

(51) **LOC (9) Cl.** **25-01**

(52) **U.S. Cl.** **D25/124; D25/136**

(58) **Field of Classification Search** **D25/124,**
D25/136; 472/92, 93, 94

See application file for complete search history.

(56) **References Cited**

U.S. PATENT DOCUMENTS

2,230,688	A	2/1941	Irwin	
3,636,725	A	1/1972	MacCracken	
3,883,120	A	5/1975	Tippmann	
3,986,342	A	10/1976	MacCracken	
4,066,285	A	1/1978	Hall et al.	
4,157,885	A	6/1979	Tippmann	
4,271,622	A	6/1981	Tippmann et al.	
4,372,617	A	2/1983	Zamboni	
4,659,247	A	4/1987	Steiner	
4,883,267	A	11/1989	Burley	
4,903,686	A	2/1990	Jennings	
4,905,970	A	3/1990	Holmsten et al.	
4,927,134	A	5/1990	Burley	
5,254,040	A *	10/1993	Eller et al.	472/94
5,706,625	A	1/1998	Vallance et al.	
5,709,099	A	1/1998	Blades et al.	
5,863,030	A	1/1999	Kotler et al.	
5,953,882	A	9/1999	Vallance et al.	
6,004,217	A	12/1999	Johnston et al.	
6,004,218	A	12/1999	Keating et al.	

6,036,155	A	3/2000	Tsui	
6,093,109	A *	7/2000	Eden et al.	472/92
D430,316	S	8/2000	Guertin	
6,095,503	A	8/2000	Burley et al.	
6,106,401	A	8/2000	McAlpine	
6,155,022	A	12/2000	DeCanio et al.	
6,206,439	B1	3/2001	Kiefer et al.	
6,406,081	B1	6/2002	Mahfet et al.	
6,551,429	B1	4/2003	McApline	
6,598,365	B2	7/2003	Abraham et al.	
6,622,434	B1	9/2003	Garrett	
D487,317	S	3/2004	Guertin	
6,698,121	B2	3/2004	Wardle et al.	

(Continued)

FOREIGN PATENT DOCUMENTS

CA	2247647	3/2000
CA	2170943	1/2002

(Continued)

OTHER PUBLICATIONS

Russian Decision on Grant along with English Translation.

Primary Examiner — Doris Clark

(74) *Attorney, Agent, or Firm* — Gerald E. Helget; Nelson R.
Capes; Briggs and Morgan, P.A.

(57) **CLAIM**

The ornamental design for a soft cap for dasher board, as
shown and described.

DESCRIPTION

FIG. 1 is a top perspective view showing my new design for a
soft cap for dasher board on a dasher board shown in phan-
tom;

FIG. 2 is a left side elevational view which is a mirror image
of the right side elevational view;

FIG. 3 is a bottom perspective view;

FIG. 4 is a top plan view;

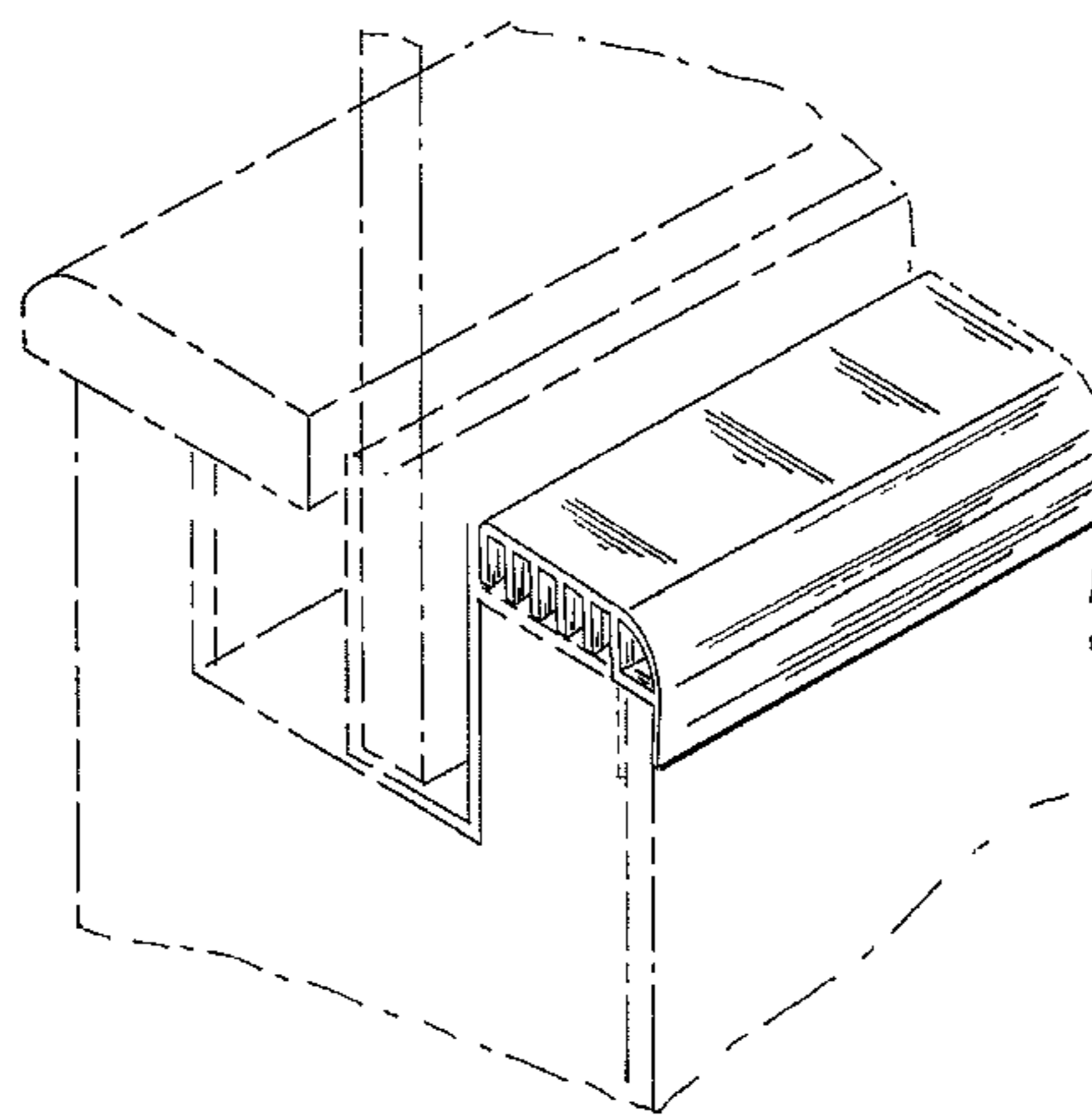
FIG. 5 is a bottom plan view;

FIG. 6 is a rear elevational view; and,

FIG. 7 is a front elevational view.

The broken line drawings of the dasher board are for illustra-
tive purposes only and form no part of the claimed design.

1 Claim, 2 Drawing Sheets



US D676,577 S

Page 2

U.S. PATENT DOCUMENTS

6,761,641	B2	7/2004	Martin et al.	
6,783,461	B2	8/2004	Frazier et al.	
6,817,952	B2	11/2004	Martin et al.	
7,163,244	B2	1/2007	Meltzer	
D572,841	S *	7/2008	Waters et al. D25/124
D584,835	S *	1/2009	Adderton D25/124
2003/0114234	A1	6/2003	Martin et al.	
2007/0155518	A1	7/2007	Greiner et al.	
2007/0287548	A1	12/2007	Irving et al.	

FOREIGN PATENT DOCUMENTS

DE	29917587	10/2000
EP	0180688	5/1986
FR	2436329	4/1980
FR	002568516	2/1986
RU	43470	1/2005

* cited by examiner

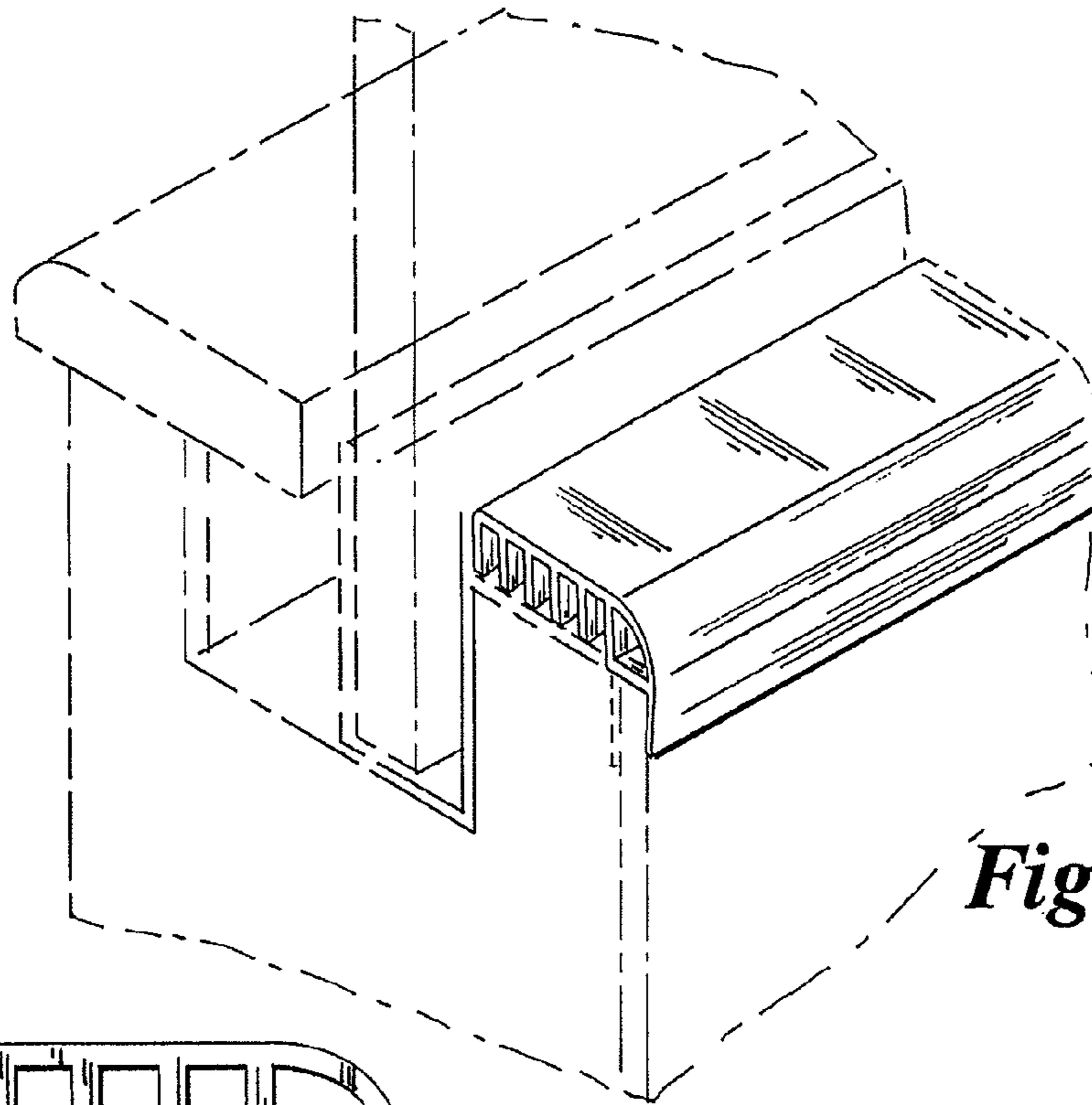


Fig. 1

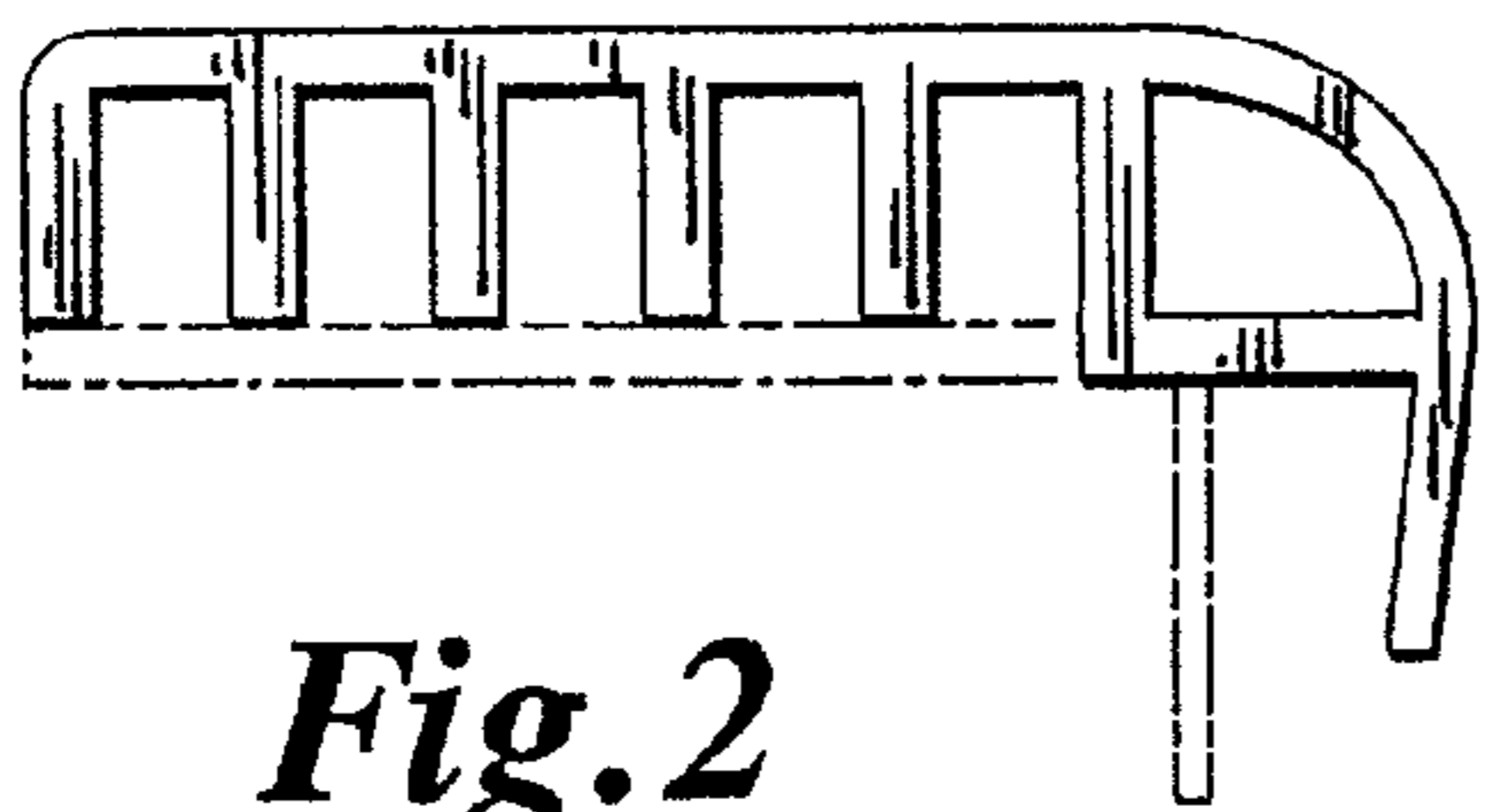


Fig. 2

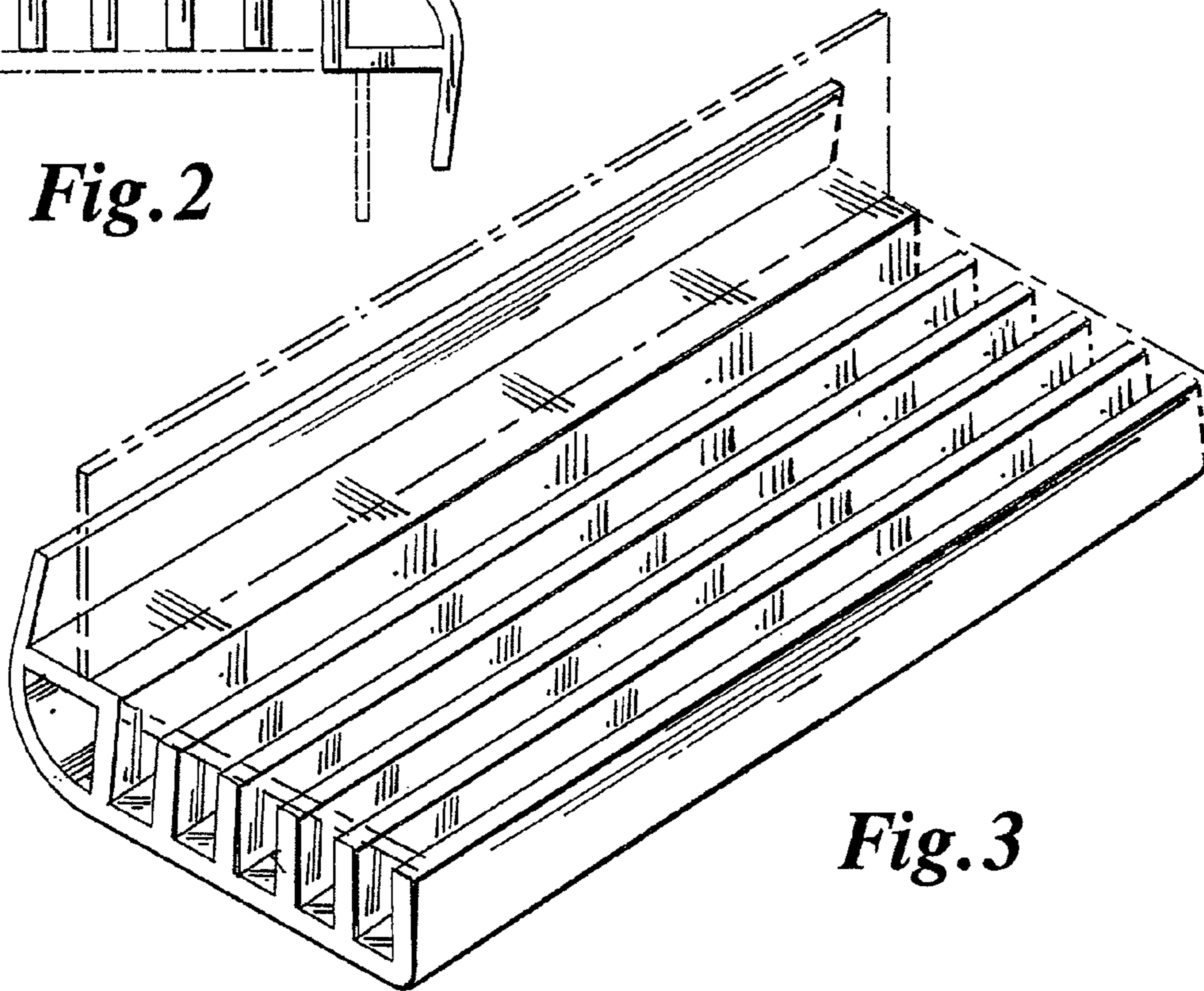


Fig. 3

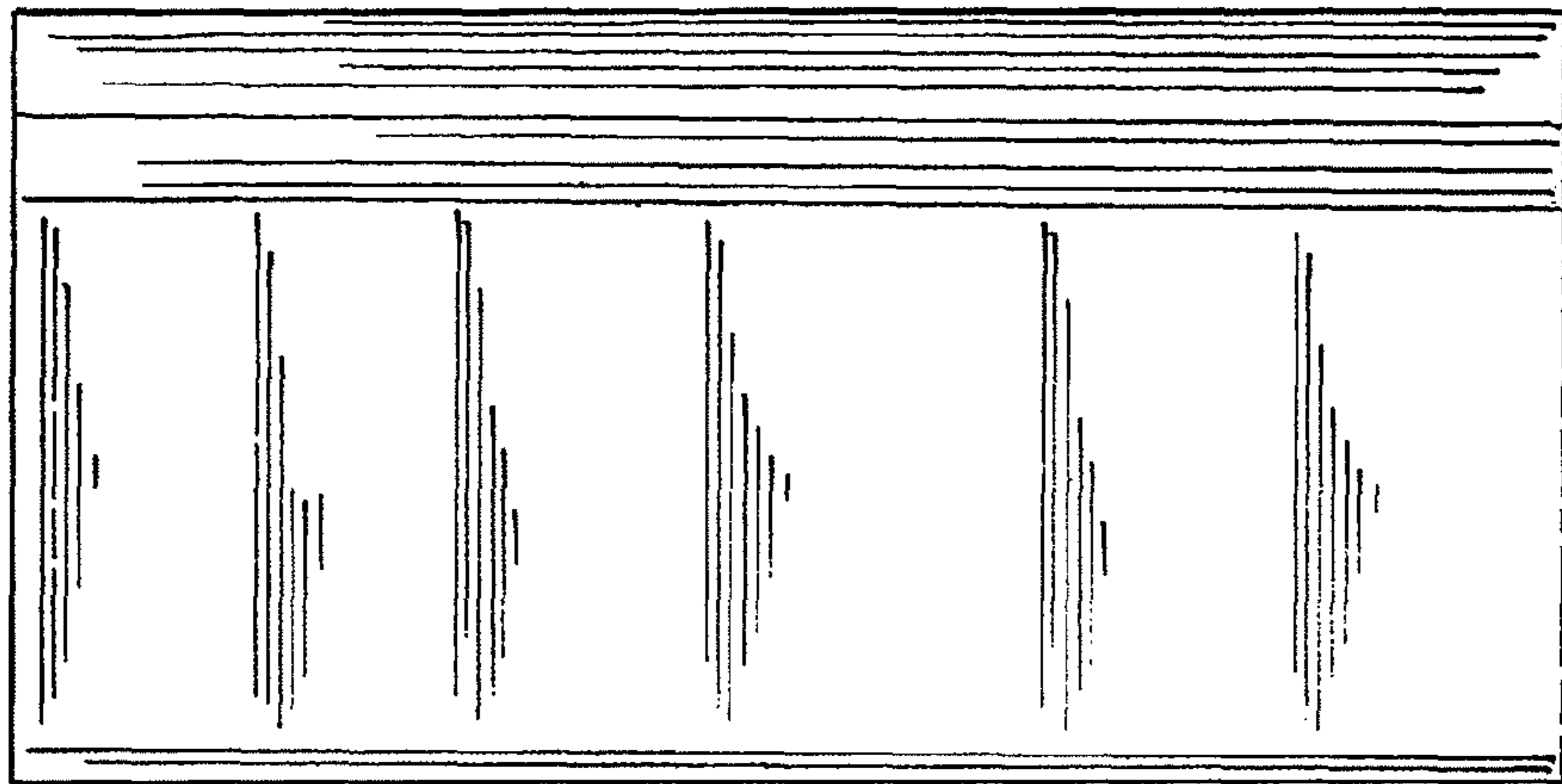


Fig. 4

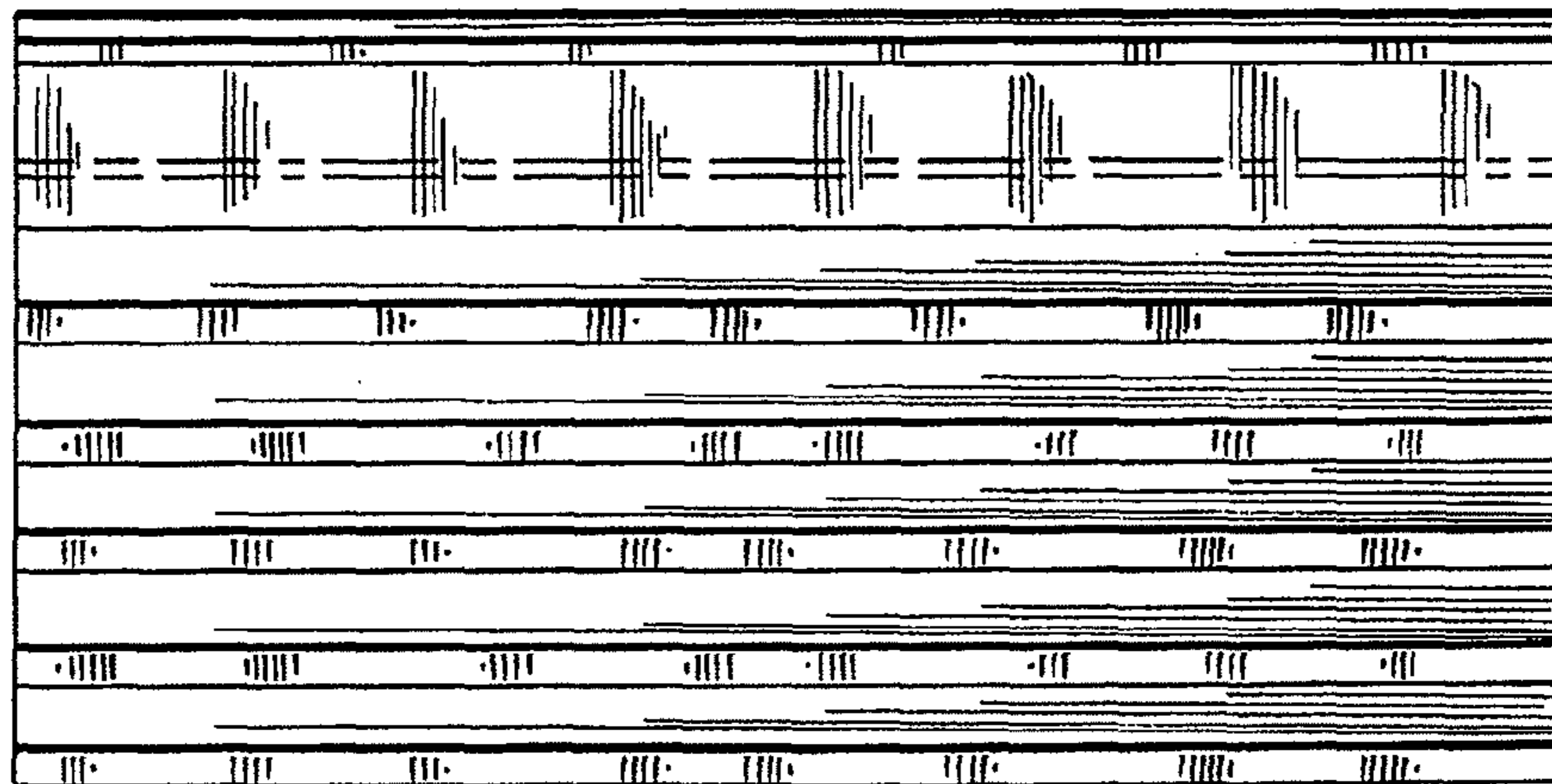


Fig. 5

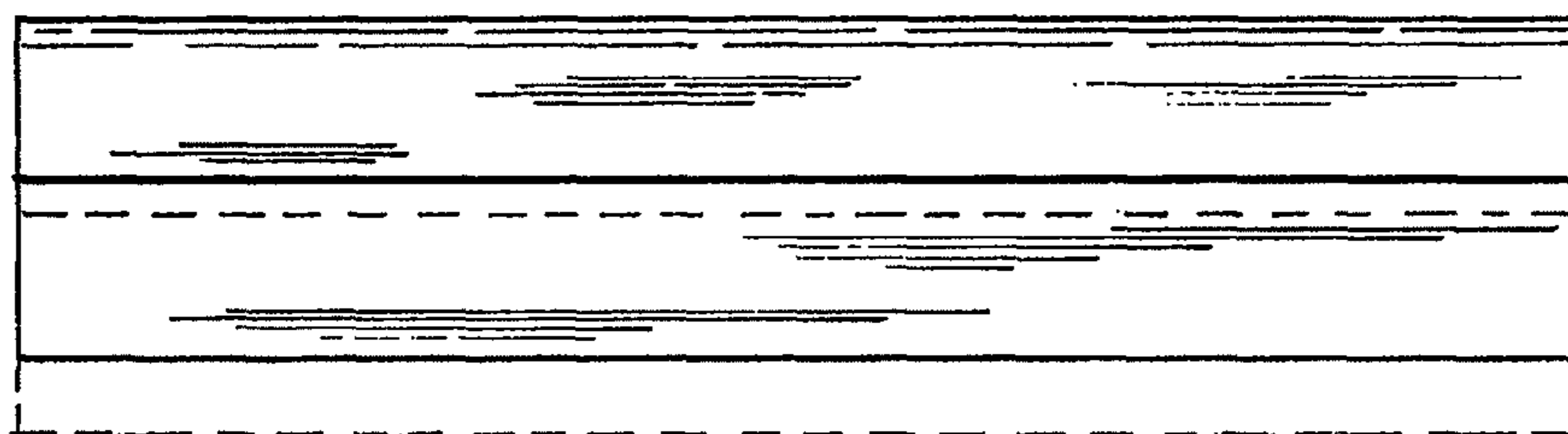


Fig. 6

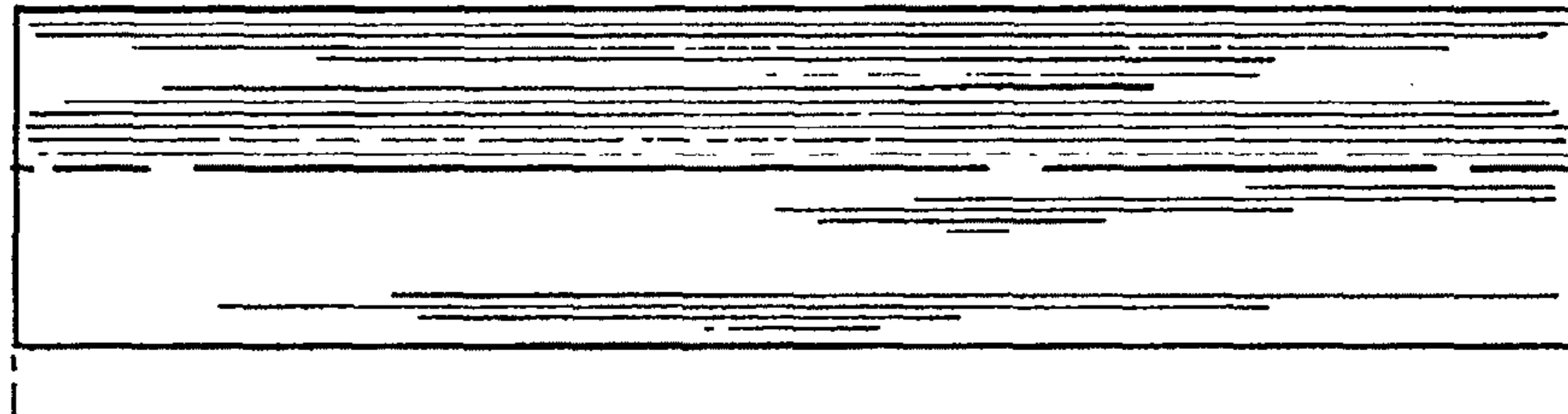


Fig. 7