



US00D676576S

(12) **United States Design Patent**  
**Oetlinger**

(10) **Patent No.:** **US D676,576 S**  
(45) **Date of Patent:** **\*\* Feb. 19, 2013**

- (54) **FRAME MEMBER**
- (75) Inventor: **Frank E. Oetlinger**, Grafton, WI (US)
- (73) Assignee: **Blanking Systems, Inc.**, Grafton, WI (US)
- (\*\*) Term: **14 Years**
- (21) Appl. No.: **29/412,254**
- (22) Filed: **Feb. 1, 2012**

6,712,254	B2	3/2004	Oetlinger	
6,712,543	B1	3/2004	Schmalzhofer	
6,715,953	B2	4/2004	Oetlinger et al.	
6,722,811	B2	4/2004	Oetlinger	
D489,828	S	5/2004	Barnett	
6,769,342	B2	8/2004	Oetlinger	
6,796,474	B2	9/2004	Oetlinger	
D497,211	S *	10/2004	Strassle	D25/126
6,904,837	B2	6/2005	Oetlinger	
6,942,132	B2	9/2005	Oetlinger	
6,997,364	B2	2/2006	Oetlinger	
7,143,916	B2	12/2006	Oetlinger	
7,182,235	B2	2/2007	Oetlinger	
7,185,797	B2	3/2007	Oetlinger et al.	
7,383,670	B1 *	6/2008	Meyers	52/843
7,992,752	B2	8/2011	Oetlinger	
D655,021	S	2/2012	Oetlinger	
2006/0133893	A1	6/2006	Harashima et al.	

**Related U.S. Application Data**

- (62) Division of application No. 29/355,094, filed on Feb. 2, 2010, now Pat. No. Des. 655,021.
- (51) **LOC (9) Cl.** ..... **25-01**
- (52) **U.S. Cl.** ..... **D25/121; D25/61**
- (58) **Field of Classification Search** ..... D25/61, D25/119, 121; 403/205, 213, 169, 170, 217, 403/219; 52/271, 578, 36.5, 71, 243, 281, 52/591.1; 15/268, 3.21, 60, 53.1  
See application file for complete search history.

**FOREIGN PATENT DOCUMENTS**

JP	2004-060789	2/2004
KR	10-0215558	8/1999
KR	10-2010-0016683	2/2010
WO	03070437	8/2003

\* cited by examiner

*Primary Examiner* — Doris Clark

(74) *Attorney, Agent, or Firm* — Boyle Fredrickson, S.C.

(56) **References Cited**

**U.S. PATENT DOCUMENTS**

3,066,773	A	12/1962	Raidel	
3,456,413	A	7/1969	Fischer	
3,901,612	A	8/1975	Canin	
4,388,786	A	6/1983	Gassler	
5,570,971	A	11/1996	Rixen et al.	
5,622,012	A	4/1997	Schijf	
5,746,535	A	5/1998	Kohler	
5,864,998	A	2/1999	Loomer	
6,082,837	A *	7/2000	Battochio et al.	312/140
6,390,719	B1	5/2002	Chan	
D463,578	S *	9/2002	Wall	D25/121
D471,083	S	3/2003	Wall	
6,634,824	B2 *	10/2003	Liu	403/217
6,679,016	B2	1/2004	Liu	
6,708,858	B2	3/2004	Oetlinger	

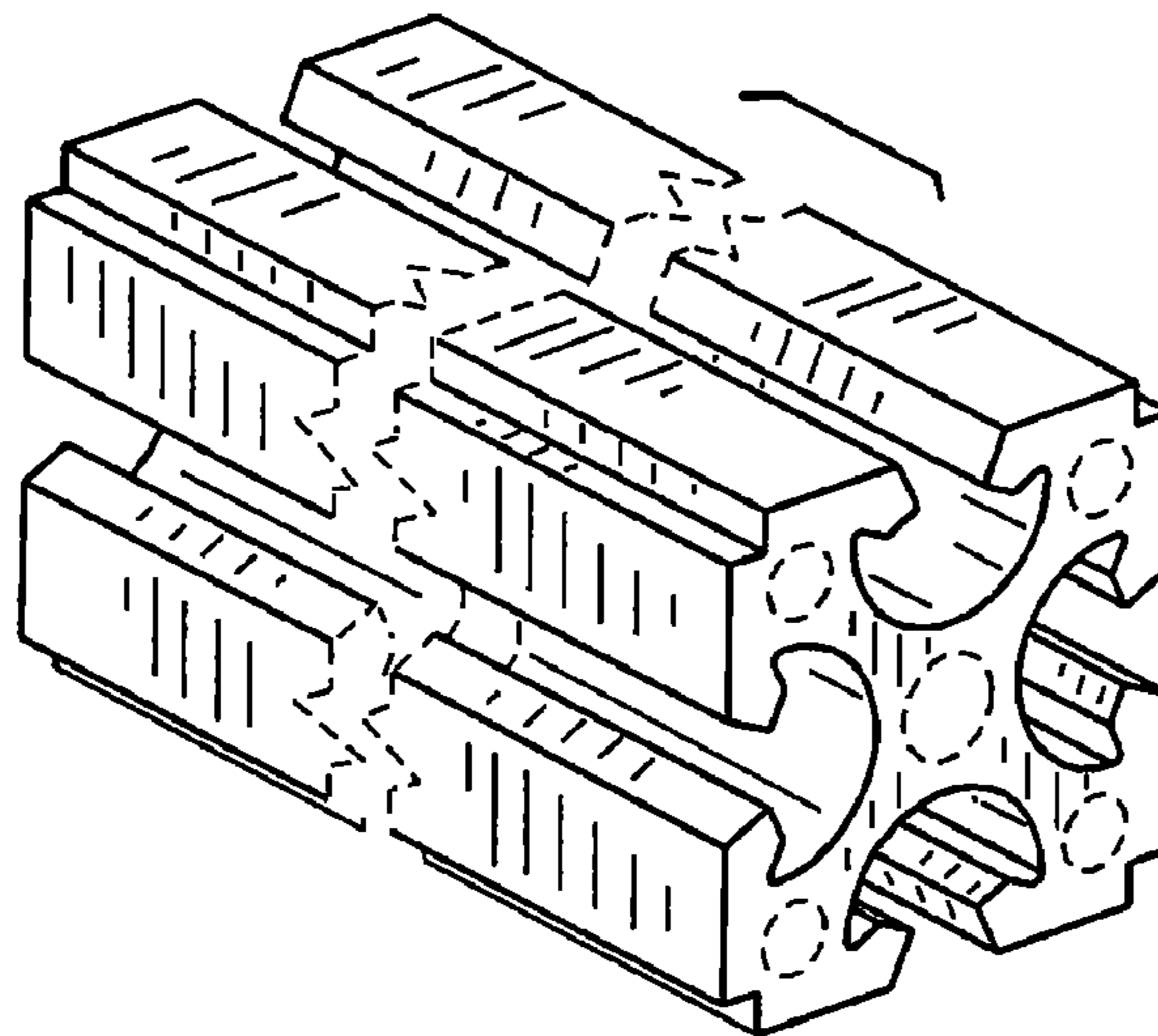
(57) **CLAIM**

The ornamental design for a frame member, as shown and described.

**DESCRIPTION**

FIG. 1 is an isometric view of a frame member in accordance with the present invention; FIG. 2 is an end view of the frame member of FIG. 1; and, FIG. 3 is a side elevational view of the frame member of FIG. 1. The broken lines are for illustrative purposes only and form no part of the claimed design.

**1 Claim, 2 Drawing Sheets**



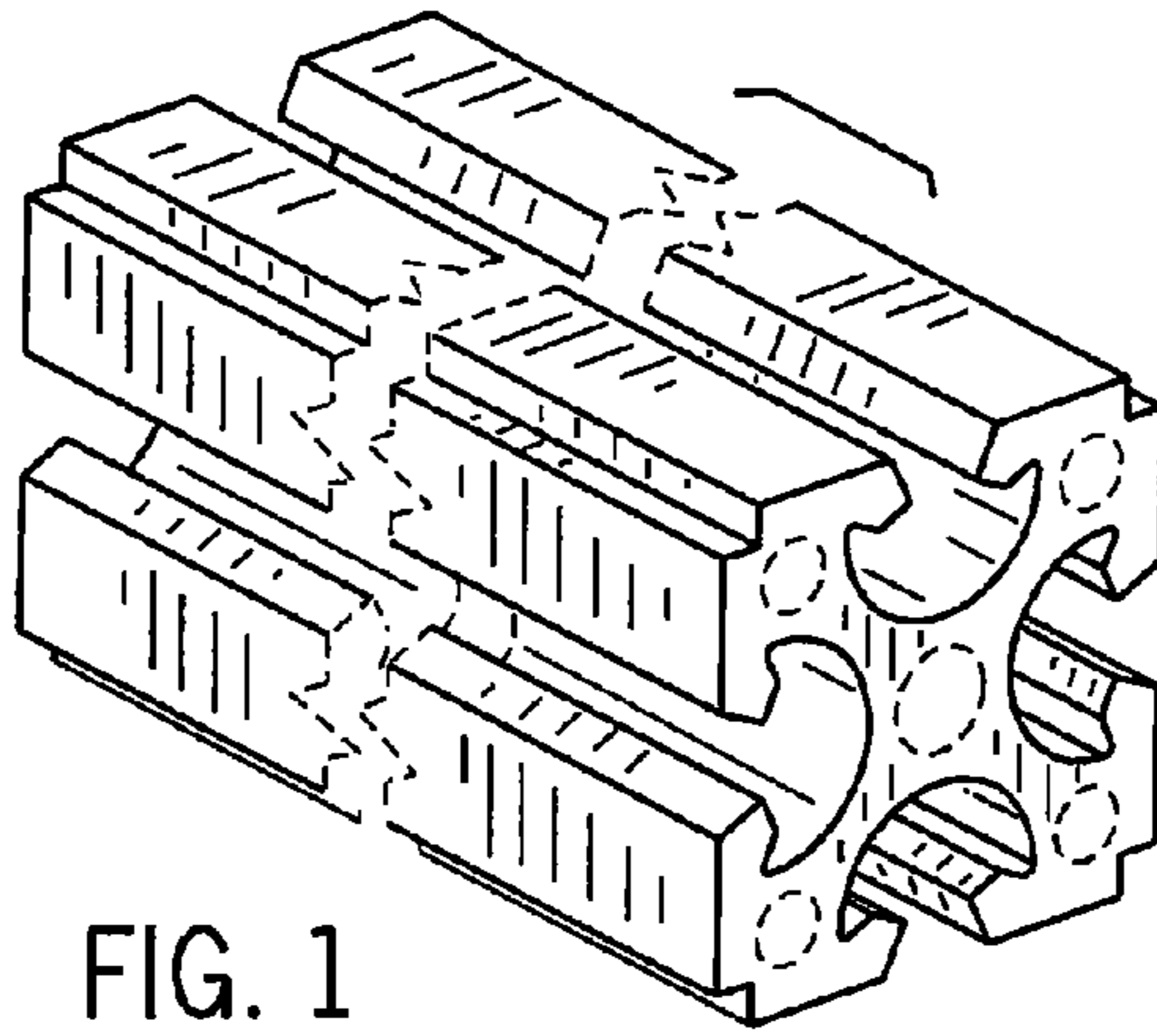


FIG. 1

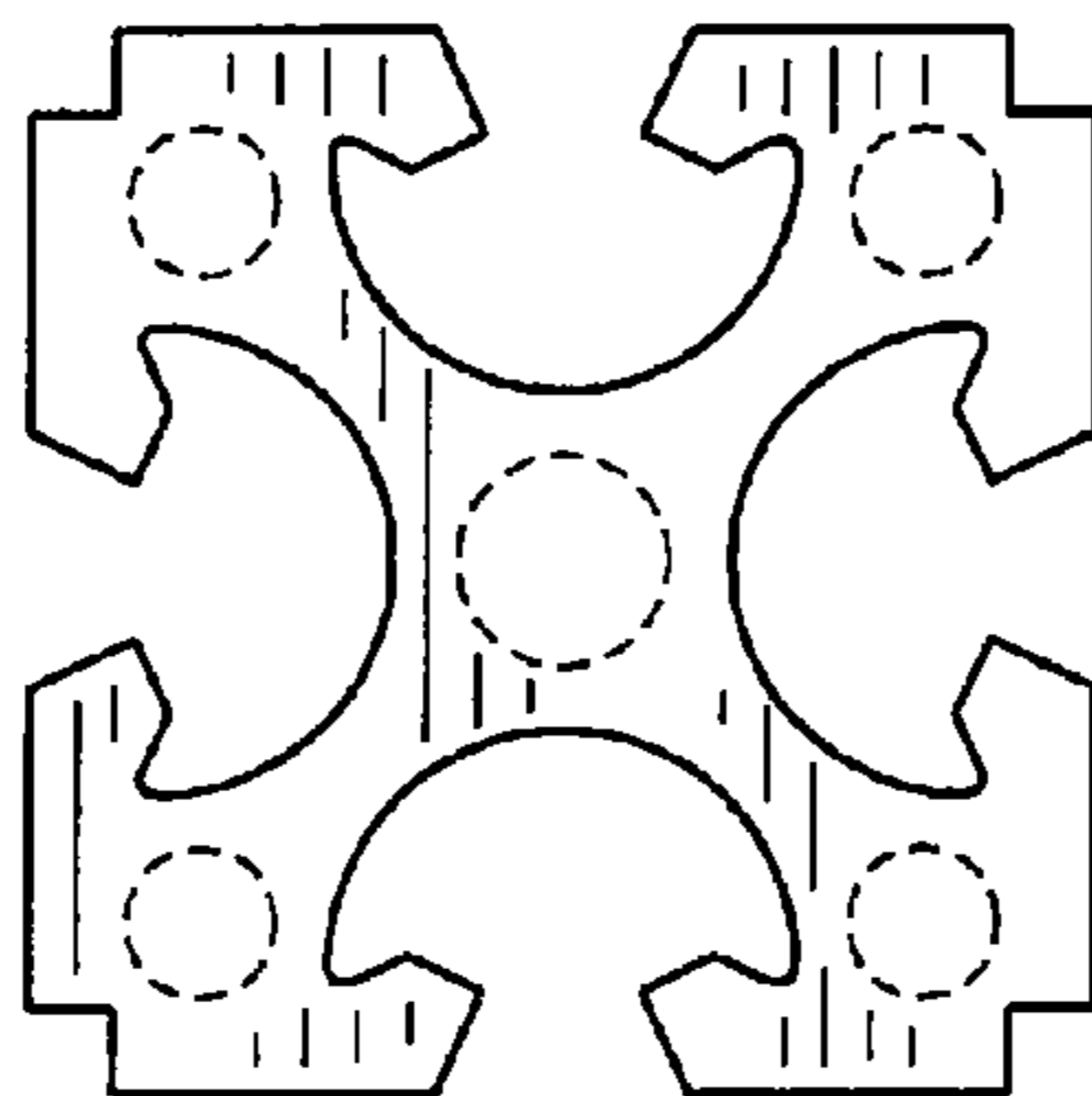


FIG. 2

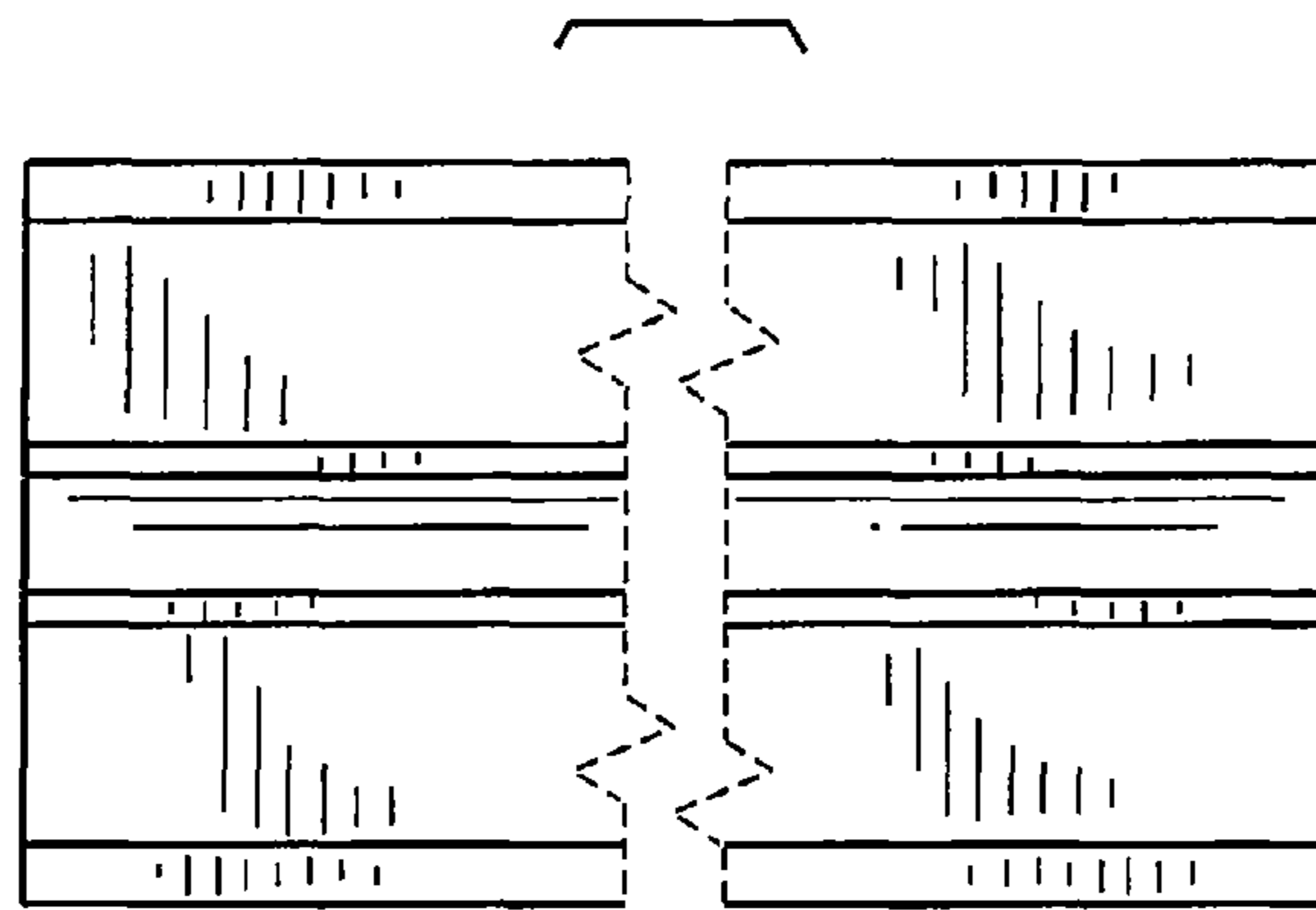


FIG. 3