



US00D676575S

(12) **United States Design Patent**
Wada

(10) **Patent No.:** **US D676,575 S**

(45) **Date of Patent:** **** Feb. 19, 2013**

(54) **PREFABRICATED BUILDING**

(75) Inventor: **Hiroyasu Wada**, Kanagawa (JP)

(73) Assignee: **Nissan Motor Co., Ltd.**, Yokohama (JP)

(**) Term: **14 Years**

(21) Appl. No.: **29/411,446**

(22) Filed: **Jan. 20, 2012**

(30) **Foreign Application Priority Data**

Nov. 29, 2011 (JP) 2011-027609

(51) **LOC (9) Cl.** **25-03**

(52) **U.S. Cl.** **D25/33**

(58) **Field of Classification Search** D25/1-33;
D21/834; 52/79.1, 79.4, 652.1, DIG. 10
See application file for complete search history.

(56) **References Cited**

U.S. PATENT DOCUMENTS

D169,354 S *	4/1953	Britt	D25/34
3,156,018 A *	11/1964	Slayter	52/73
D216,499 S *	1/1970	Granberry	D25/22
D216,542 S *	2/1970	Suuronen	D25/11
D220,034 S *	3/1971	Bowers	D25/33
D222,038 S *	9/1971	Hughes	D25/18
D222,638 S *	11/1971	Frakes	D25/19
D235,203 S *	5/1975	Waldorf	D25/24
D238,778 S *	2/1976	Watkins	D25/26
D238,943 S *	2/1976	Curci	D25/22
3,943,671 A *	3/1976	Curci	52/69
D260,179 S *	8/1981	Buck	D25/11
D260,180 S *	8/1981	Zusman	D25/17

D269,042 S *	5/1983	Montalto	D25/23
D304,374 S *	10/1989	Reed	D25/33
D304,859 S *	11/1989	Zusman	D25/17
D477,881 S *	7/2003	Johnson	D25/33

* cited by examiner

Primary Examiner — Eric Goodman

(74) *Attorney, Agent, or Firm* — Global IP Counselors, LLP

(57) **CLAIM**

The ornamental design for a prefabricated building, as shown and described.

DESCRIPTION

FIG. 1 is a front elevational view of a prefabricated building in accordance with my new design;

FIG. 2 is a rear view of the prefabricated building in accordance with my new design of FIG. 1;

FIG. 3 is a top plan view of the prefabricated building in accordance with my new design of FIGS. 1 to 2;

FIG. 4 is a bottom plan view of the prefabricated building in accordance with my new design of FIGS. 1 to 3;

FIG. 5 is a left side elevational view of the prefabricated building in accordance with my new design of FIGS. 1 to 4;

FIG. 6 is a right side elevational view of the prefabricated building in accordance with my new design of FIGS. 1 to 5;

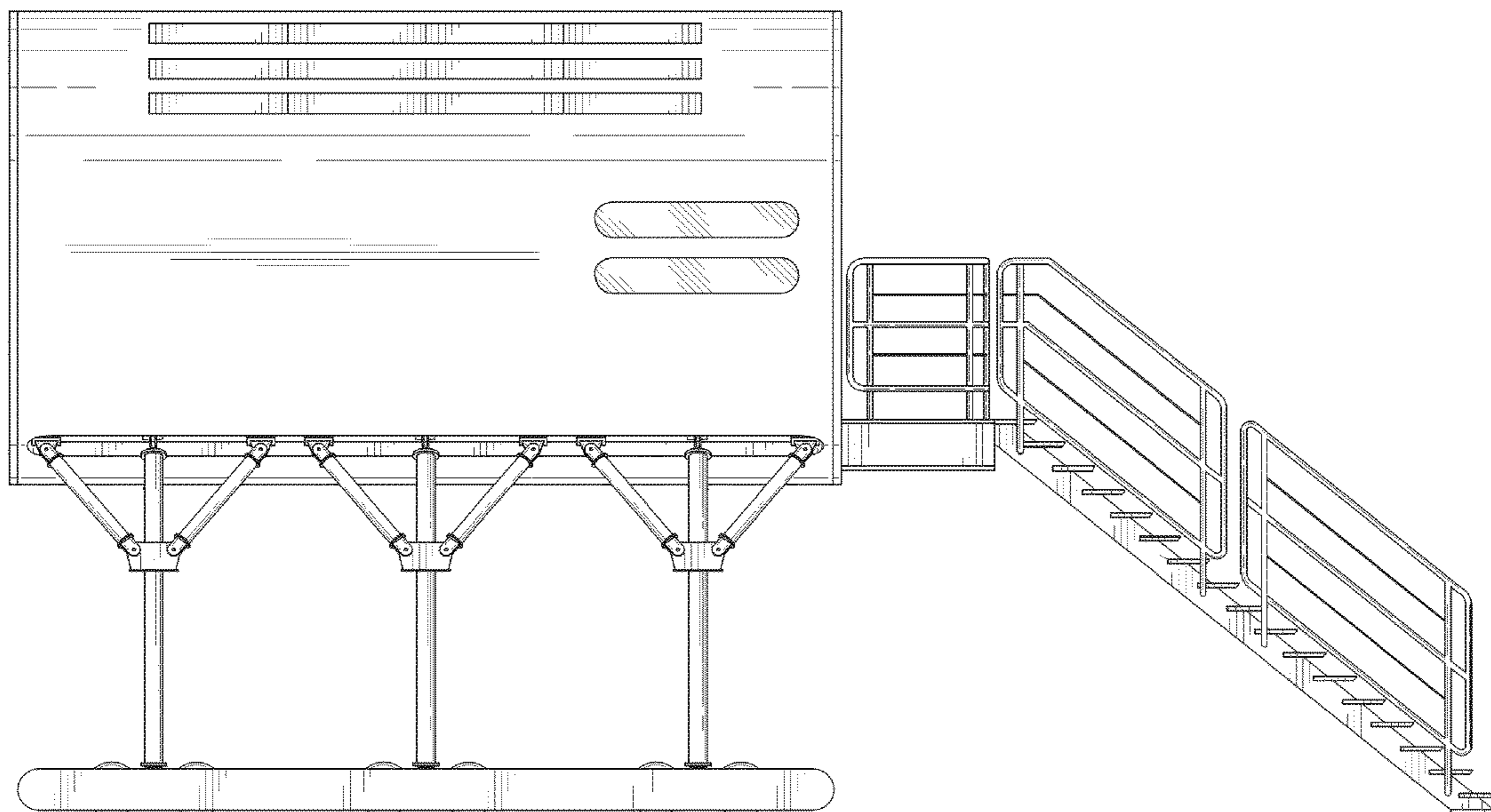
FIG. 7 is a rear, right and top side perspective view of the prefabricated building in accordance with my new design of FIGS. 1 to 6; and,

FIG. 8 is a front, left and top side perspective view of the prefabricated building in accordance with my new design of FIGS. 1 to 7.

The oblique line shading in FIGS. 1-3 and 5-8 illustrates a translucent or transparent portion of the prefabricated building.

The oblique line shading in FIGS. 1-3 and 5-8 illustrates a translucent or transparent portion of the prefabricated building.

1 Claim, 8 Drawing Sheets



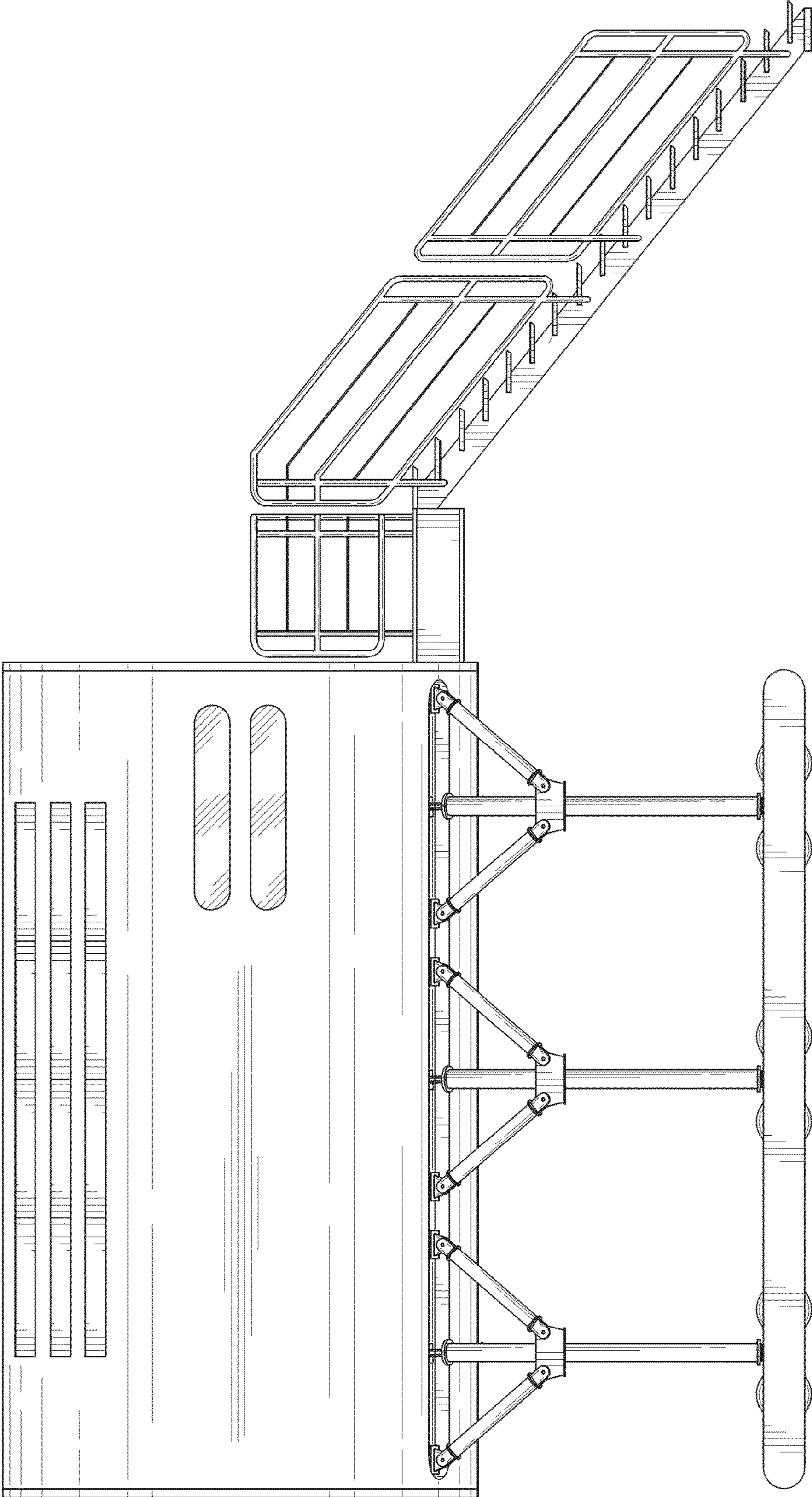


FIG. 1

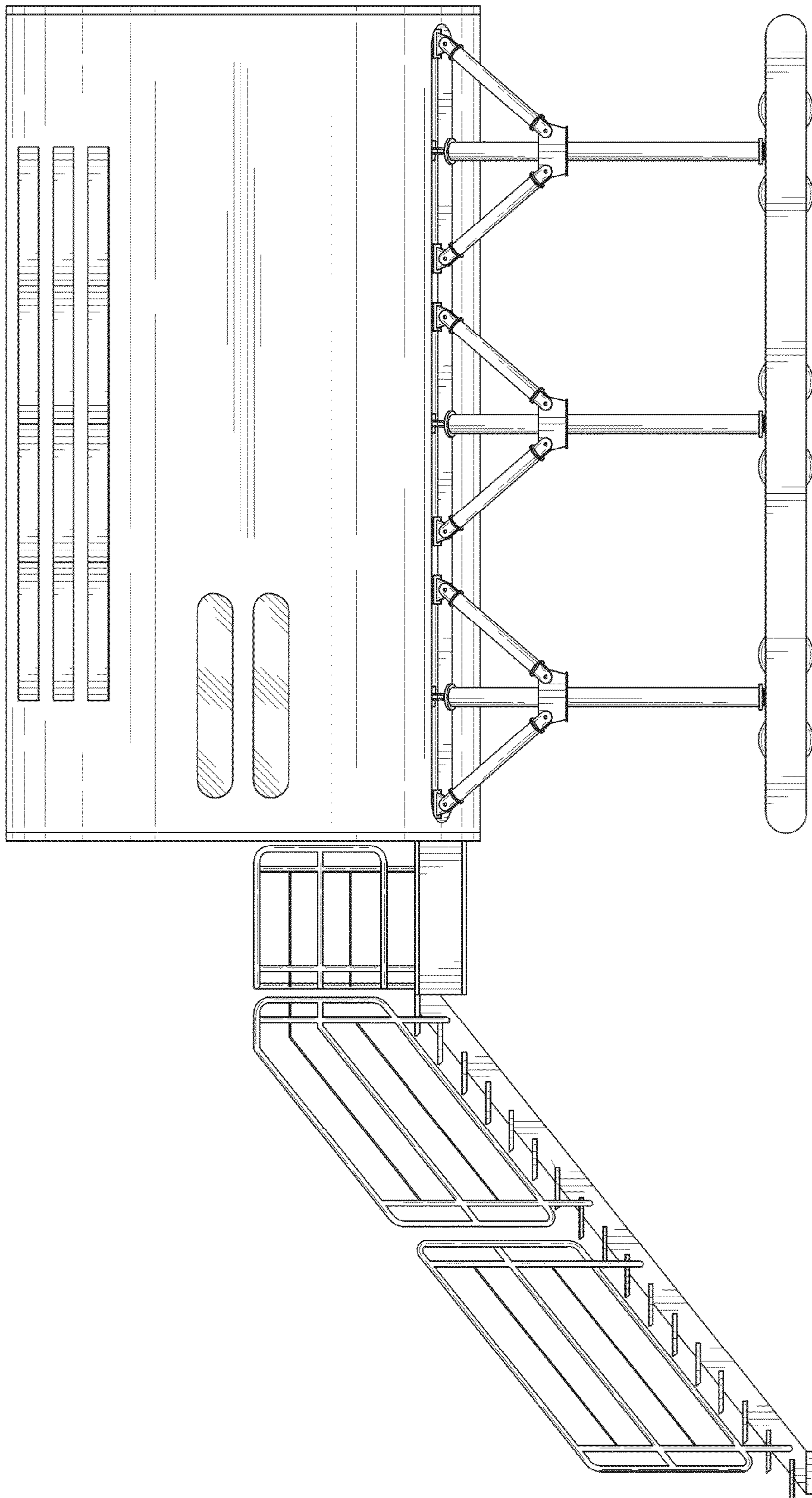


FIG. 2

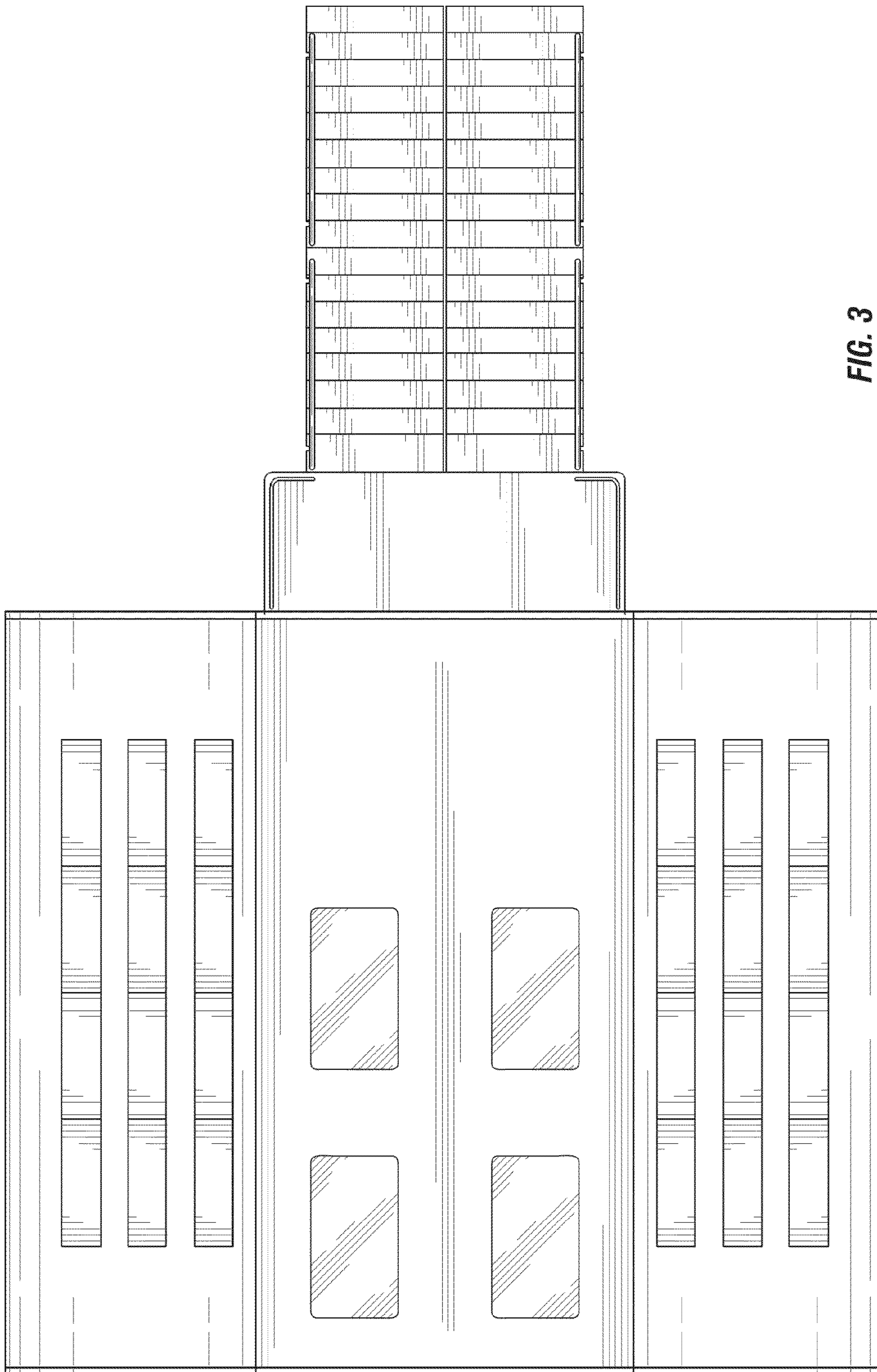


FIG. 3

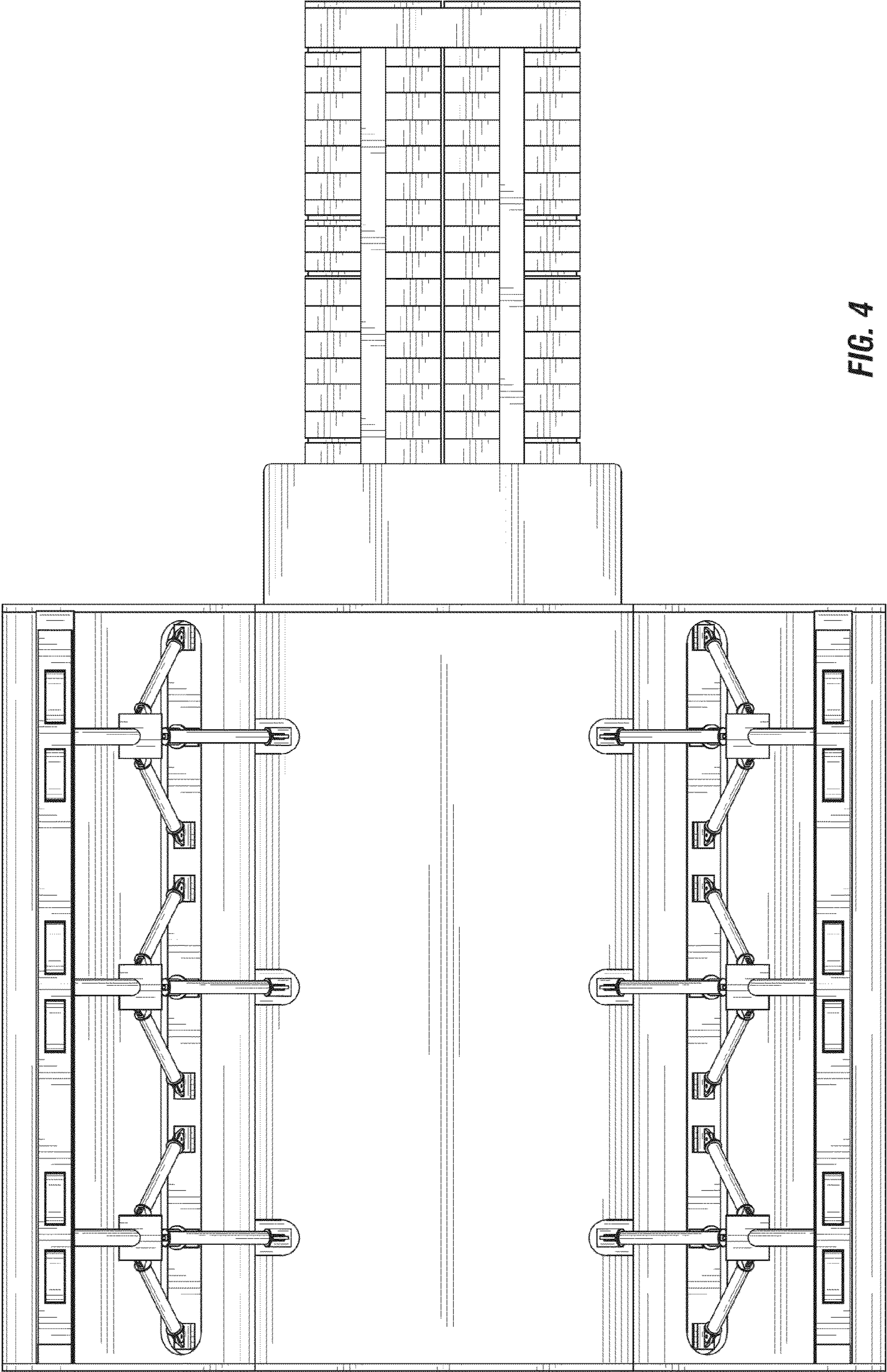


FIG. 4

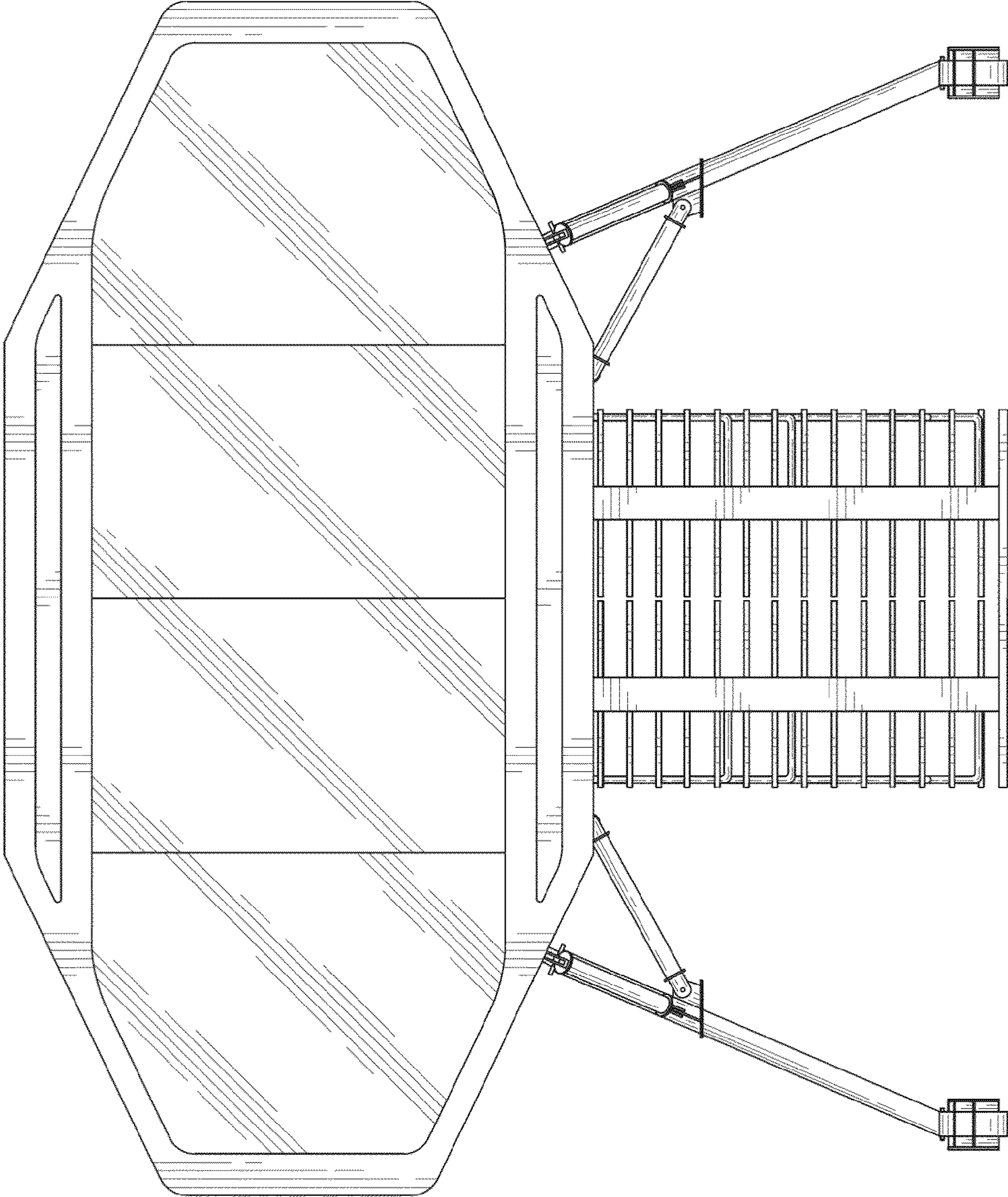


FIG. 5

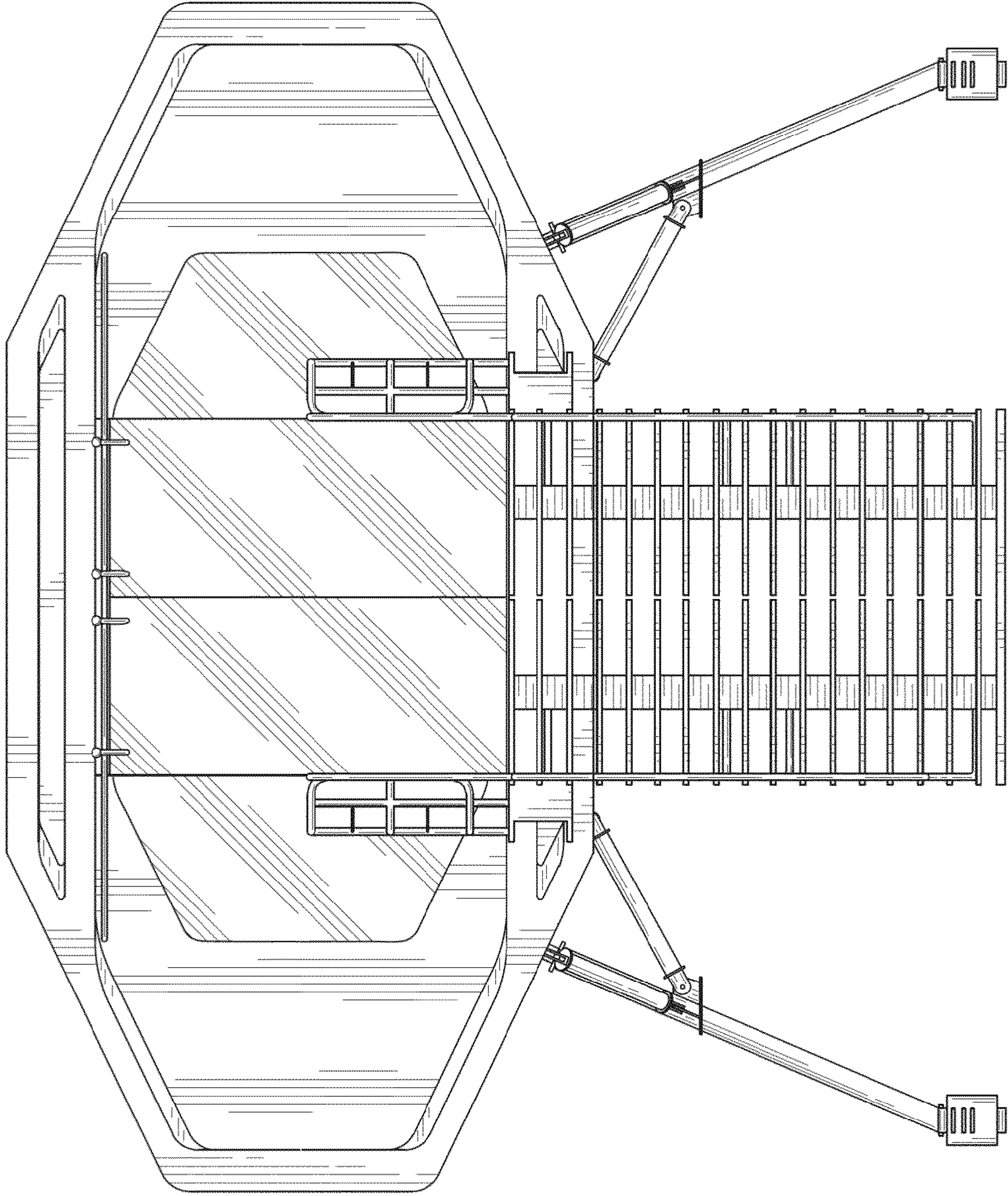


FIG. 6

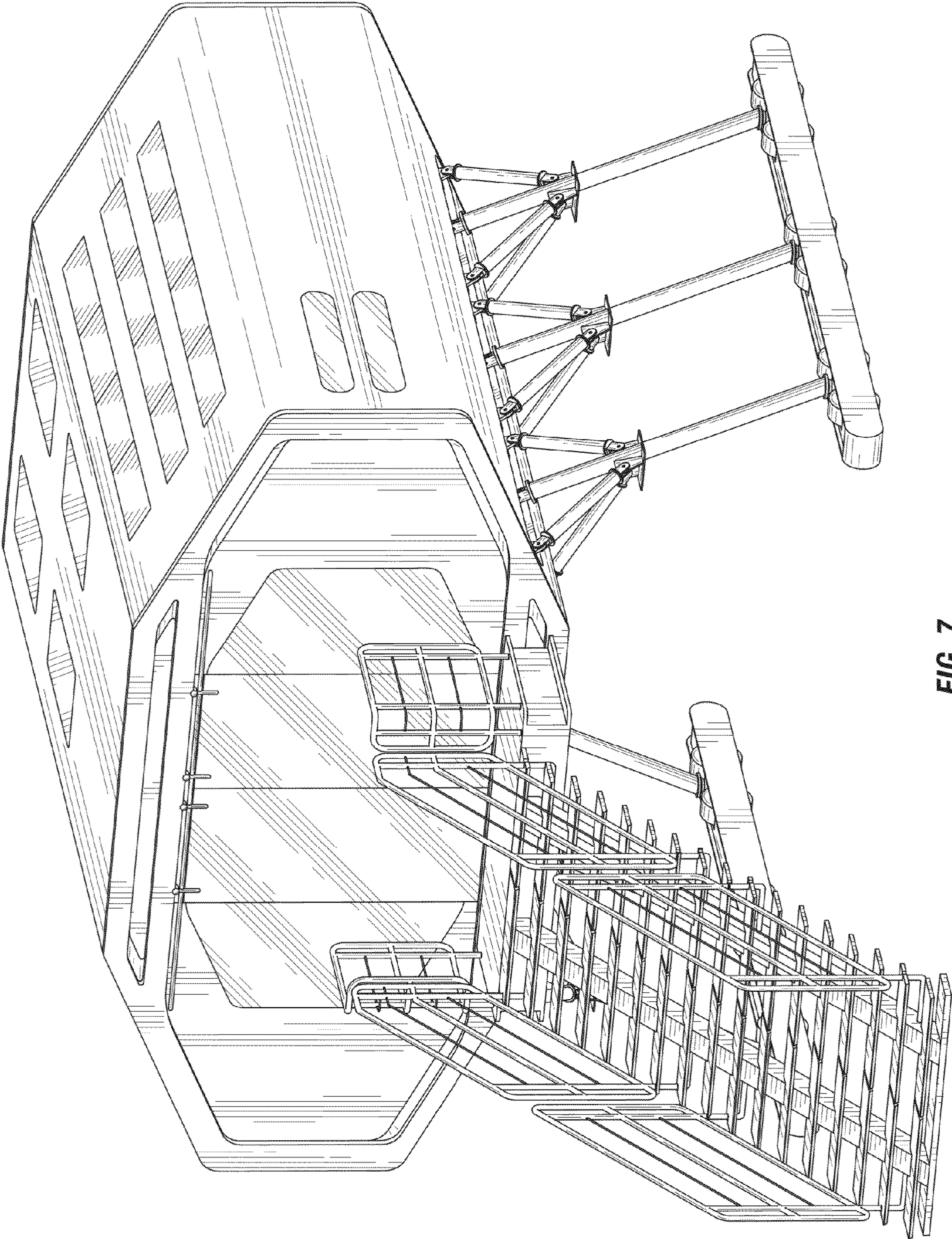


FIG. 7

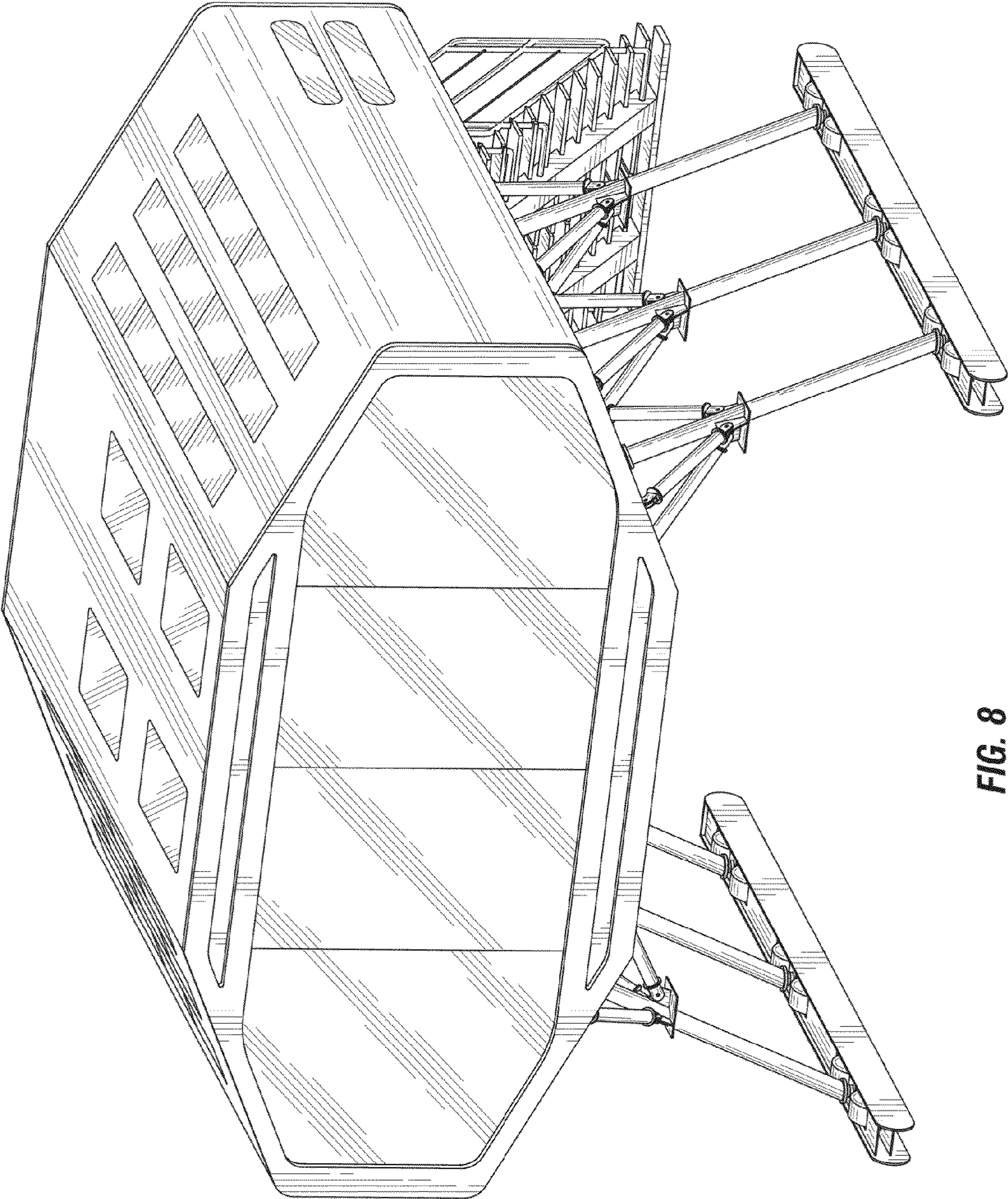


FIG. 8