



US00D676573S

(12) **United States Design Patent**  
**Austria**

(10) **Patent No.:** **US D676,573 S**

(45) **Date of Patent:** **\*\* Feb. 19, 2013**

(54) **DUAL SIDED ANTI-SKID MEDICAL TRAY**

(76) Inventor: **Georgene Austria**, Calabasas, CA (US)

(\*\*) Term: **14 Years**

(21) Appl. No.: **29/423,167**

(22) Filed: **May 29, 2012**

(51) **LOC (9) Cl.** ..... **24-01**

(52) **U.S. Cl.** ..... **D24/227**

(58) **Field of Classification Search** ..... D24/123,  
D24/176-177, 216, 223-232; 422/99, 102,  
422/104, 297, 300, 28; 206/363, 370, 557;  
D3/304, 307, 308, 314, 315; D7/500, 550.1,  
D7/602, 554.3, 543-587, 354, 552.2, 409,  
D7/359-361; D6/406.1, 406.2, 406.3; 220/574;  
D9/425

See application file for complete search history.

(56) **References Cited**

**U.S. PATENT DOCUMENTS**

D194,087 S	*	11/1962	Jemkins	.....	D24/229
D194,418 S	*	1/1963	Gausper	.....	D24/229
D248,871 S		8/1978	Forsman et al.		
D249,362 S	*	9/1978	Forsman et al.	.....	D24/230
D276,462 S		11/1984	Villarreal		
D334,973 S	*	4/1993	Valentine et al.	.....	D24/227
D337,830 S		7/1993	Coyne et al.		
D343,687 S	*	1/1994	Houghton et al.	.....	D24/229
D387,177 S		12/1997	Davis		
D402,767 S	*	12/1998	Davis et al.	.....	D24/229

D450,391 S	*	11/2001	Hunt et al.	.....	D24/227
6,426,041 B1	*	7/2002	Smith	.....	422/28
D596,311 S		7/2009	Antons		
D608,015 S		1/2010	Sandel		
D608,456 S	*	1/2010	Sandel	.....	D24/227
D618,821 S	*	6/2010	Larsen	.....	D24/227
D636,894 S		4/2011	Tomes et al.		
D638,137 S	*	5/2011	Gross et al.	.....	D24/227
D650,912 S		12/2011	Tomes et al.		

\* cited by examiner

*Primary Examiner* — T. Chase Nelson

*Assistant Examiner* — Mark Cavanna

(74) *Attorney, Agent, or Firm* — Law Office of Ken Dallara;  
Ken Dallara

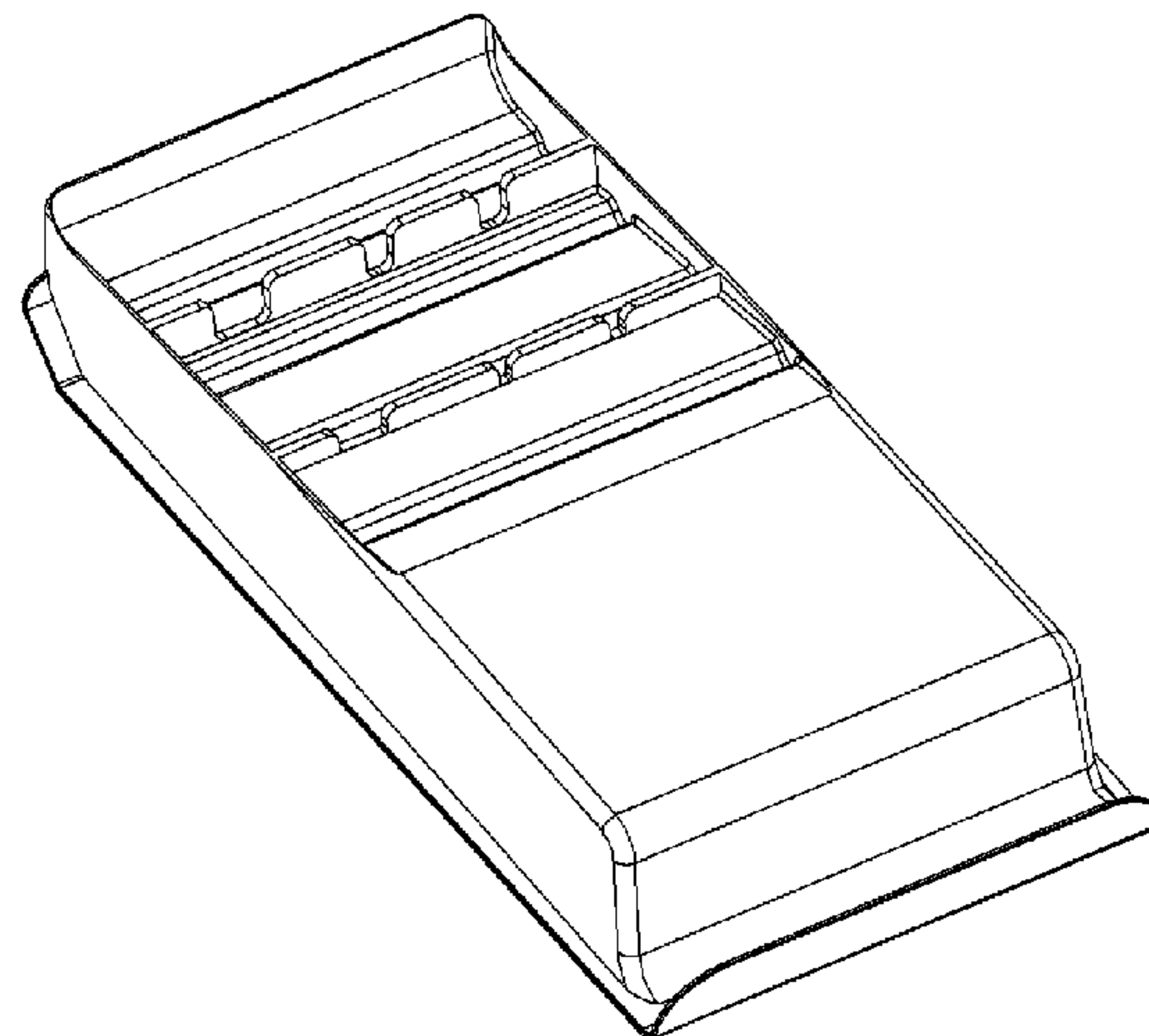
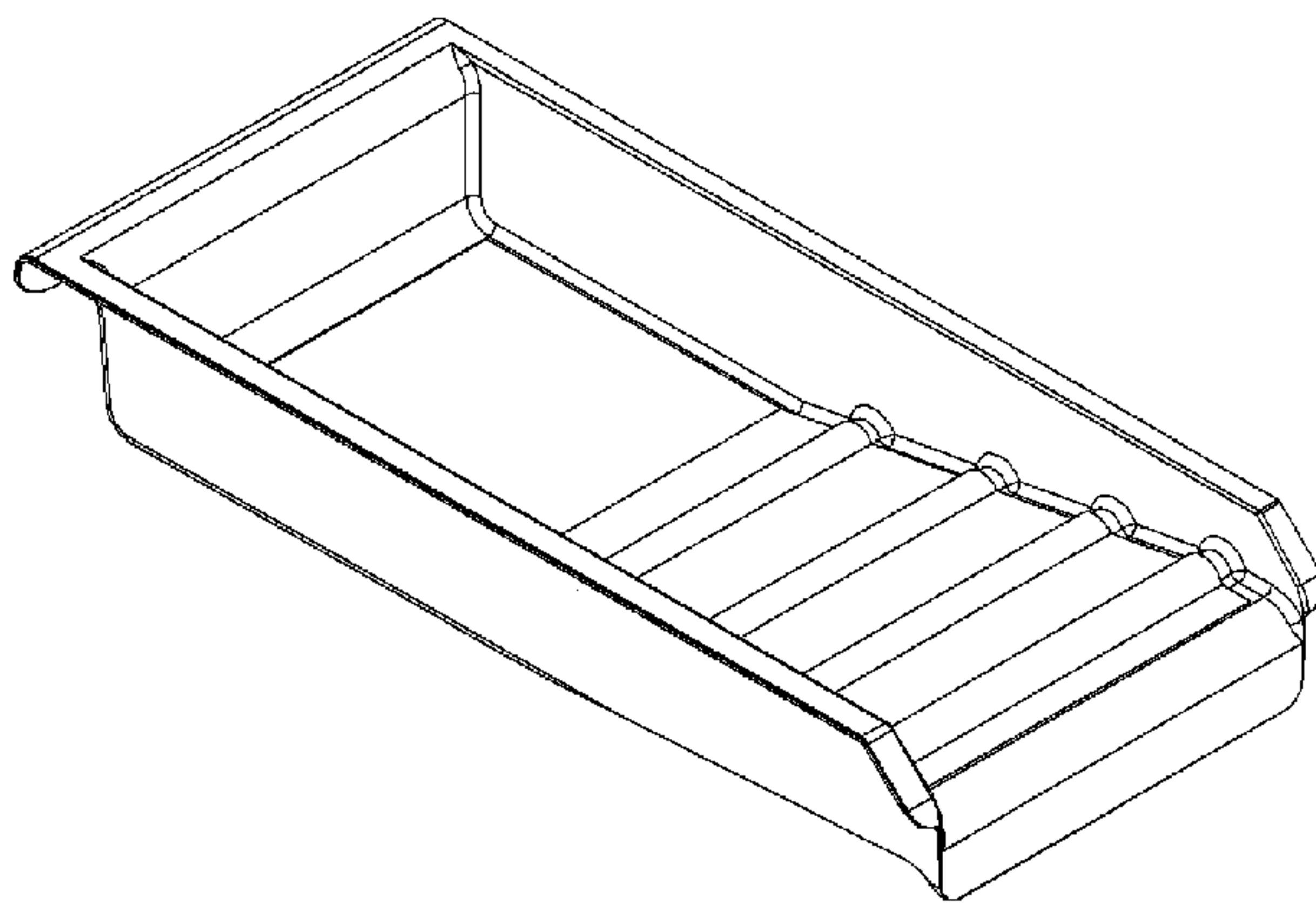
(57) **CLAIM**

An ornamental design for a dual sided anti-skid medical tray,  
as shown and described.

**DESCRIPTION**

FIG. 1 is the left side elevation view of the dual sided anti-skid medical tray showing my new design; FIG. 2 is the right side elevation view thereof; FIG. 3 is the top plan view thereof; FIG. 4 is the front view thereof; FIG. 5 is the back view thereof; FIG. 6 is a top isometric view thereof; FIG. 7 is the bottom plan view thereof; and, FIG. 8 is a bottom isometric thereof.

**1 Claim, 3 Drawing Sheets**



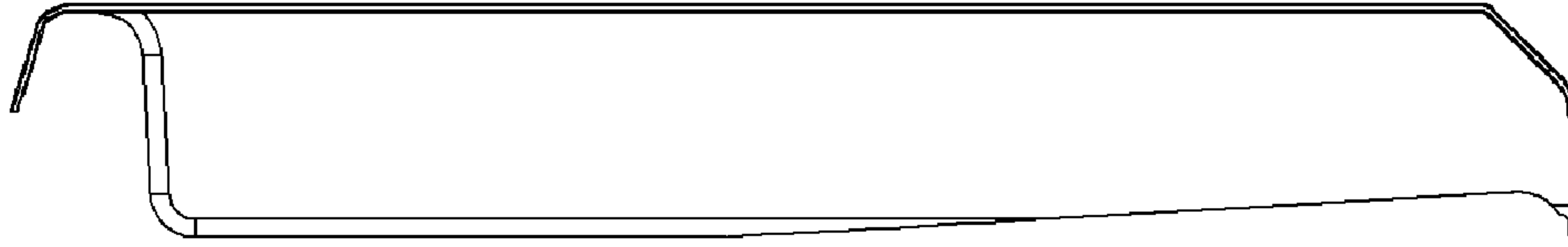


FIG. 1

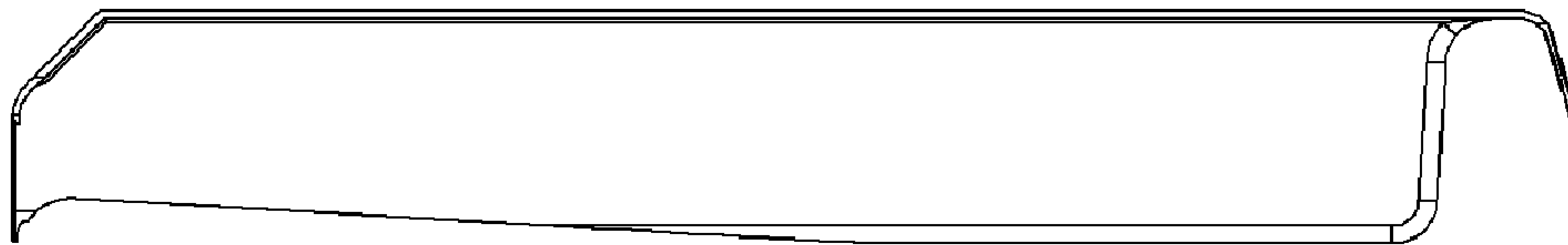


FIG. 2

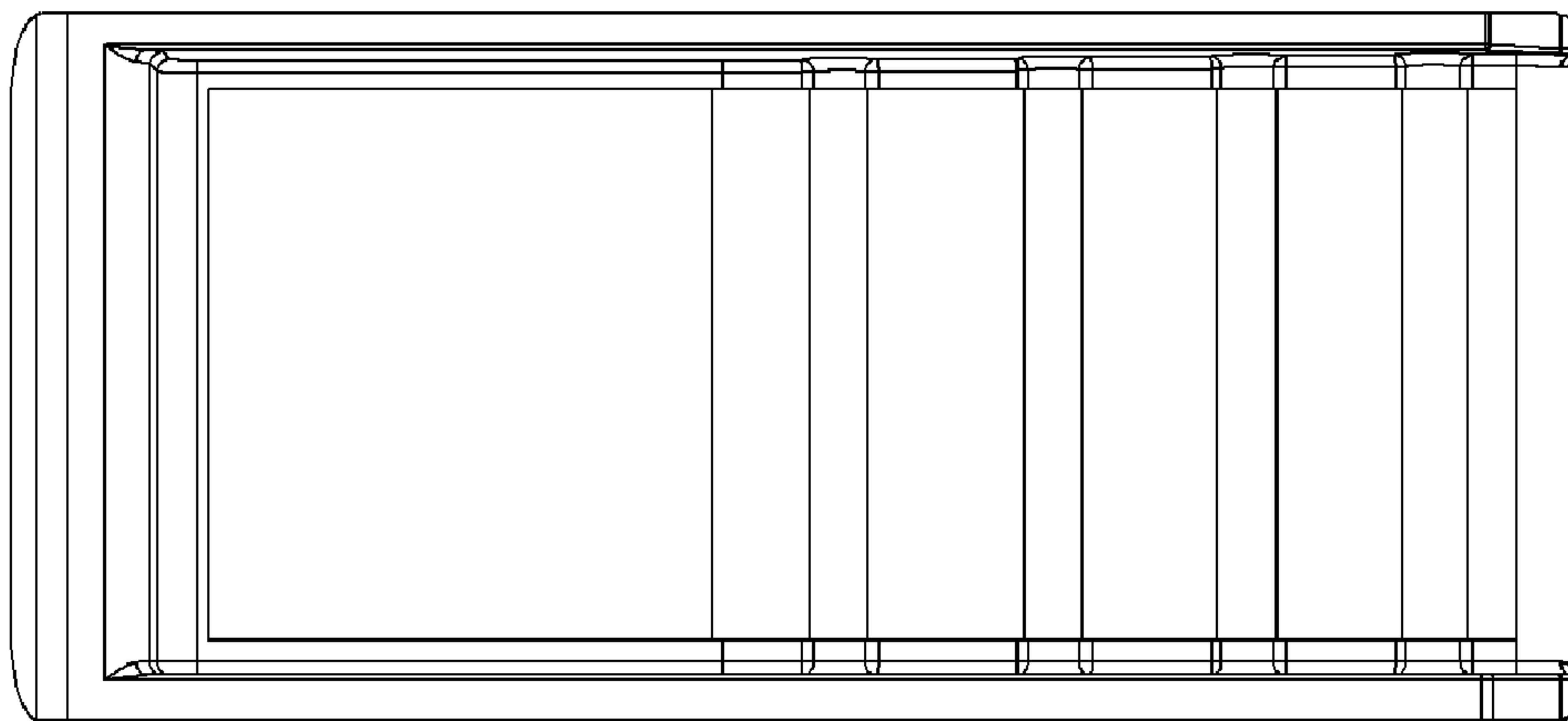


FIG. 3

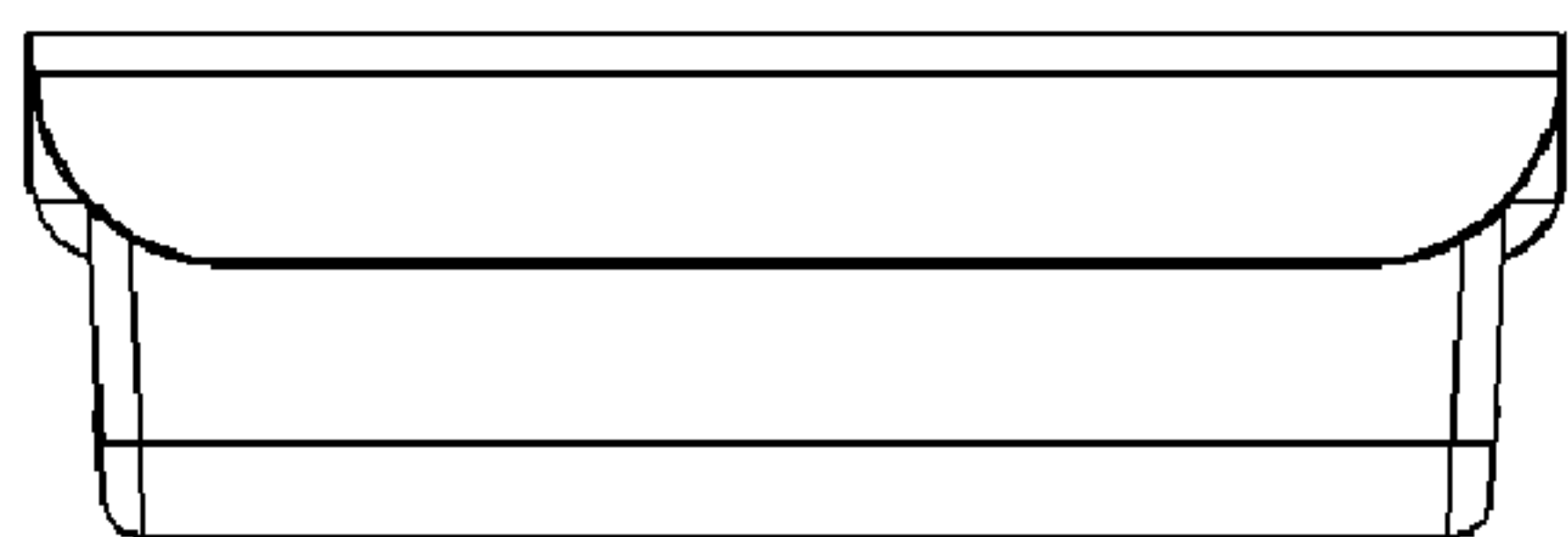


FIG. 4

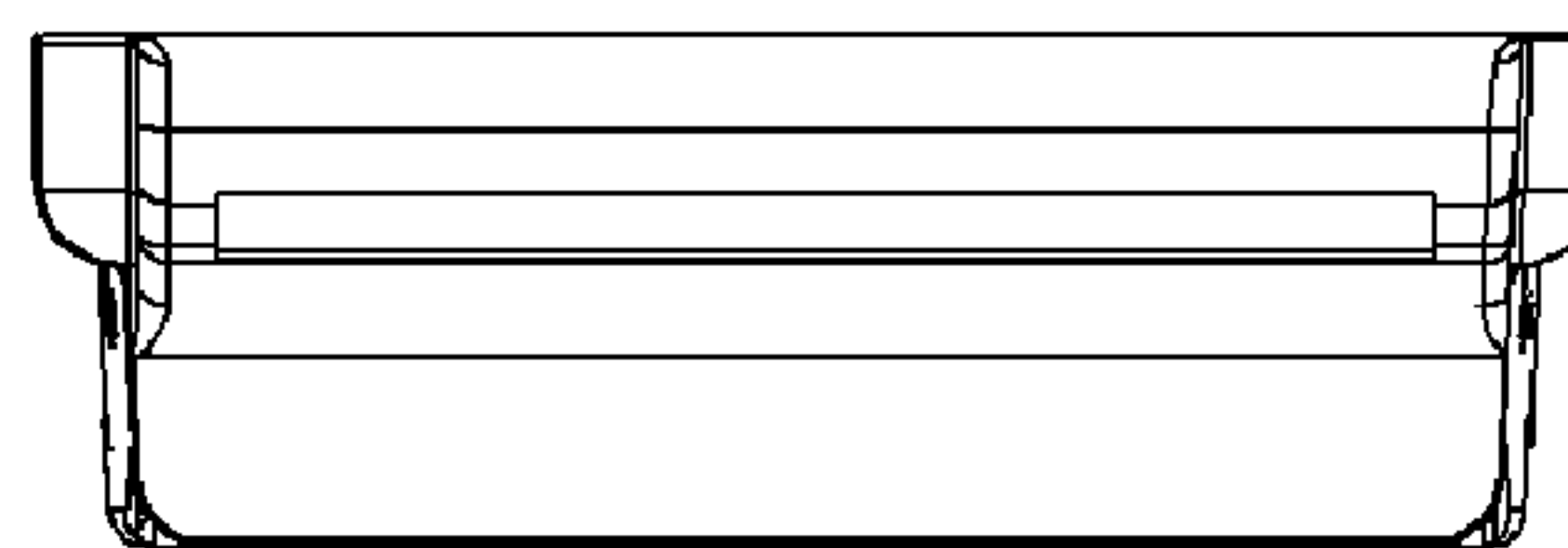


FIG. 5

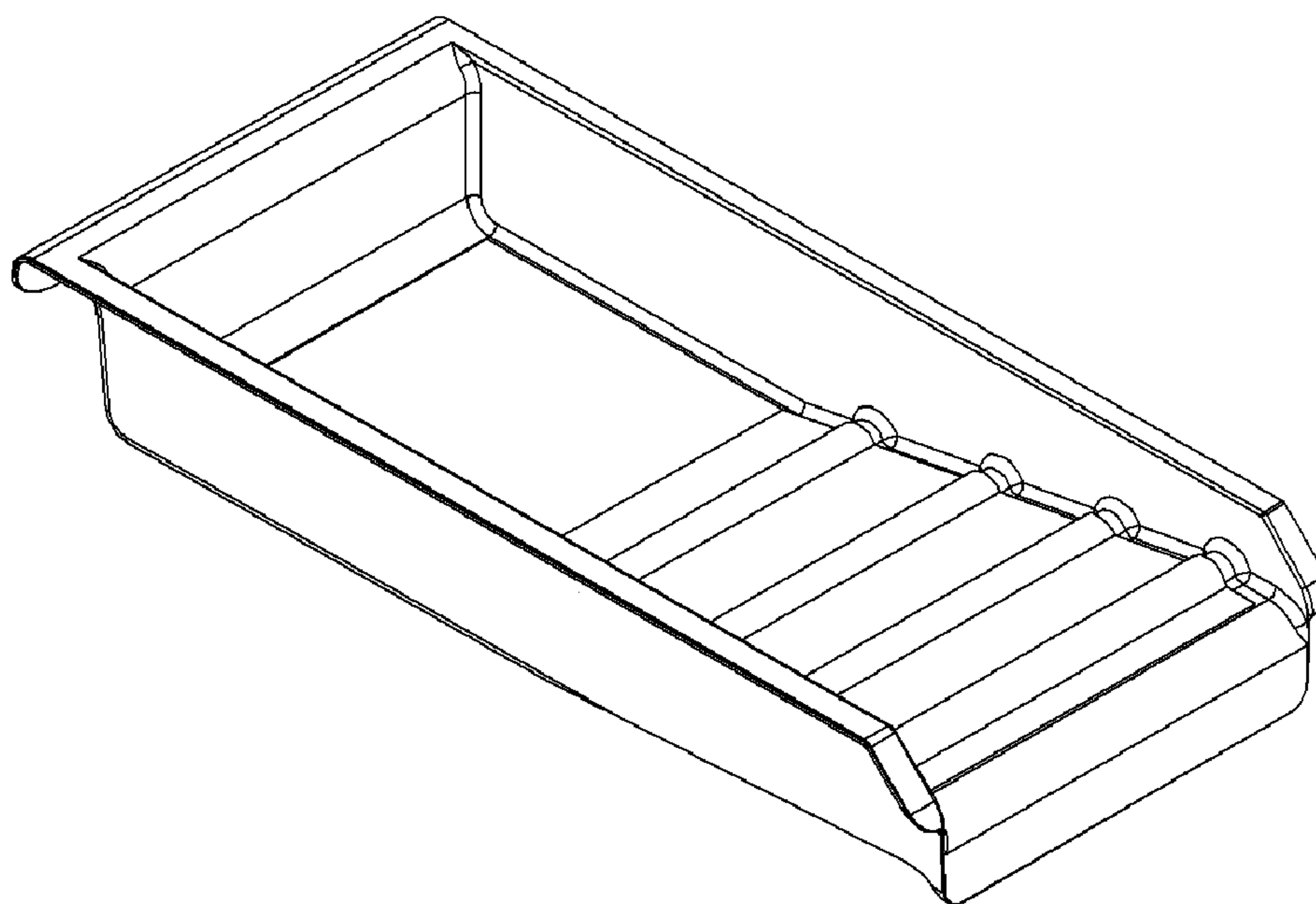


FIG. 6

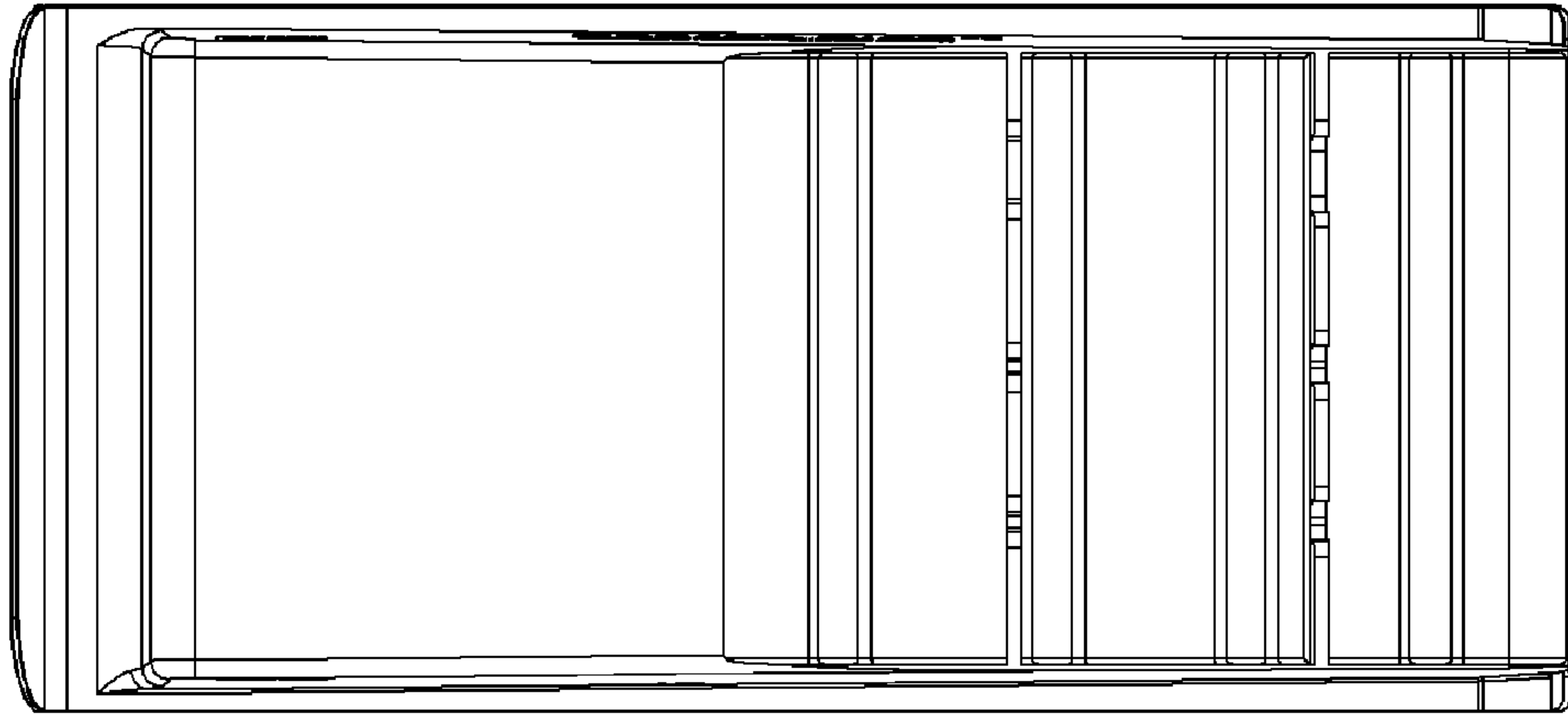


FIG. 7

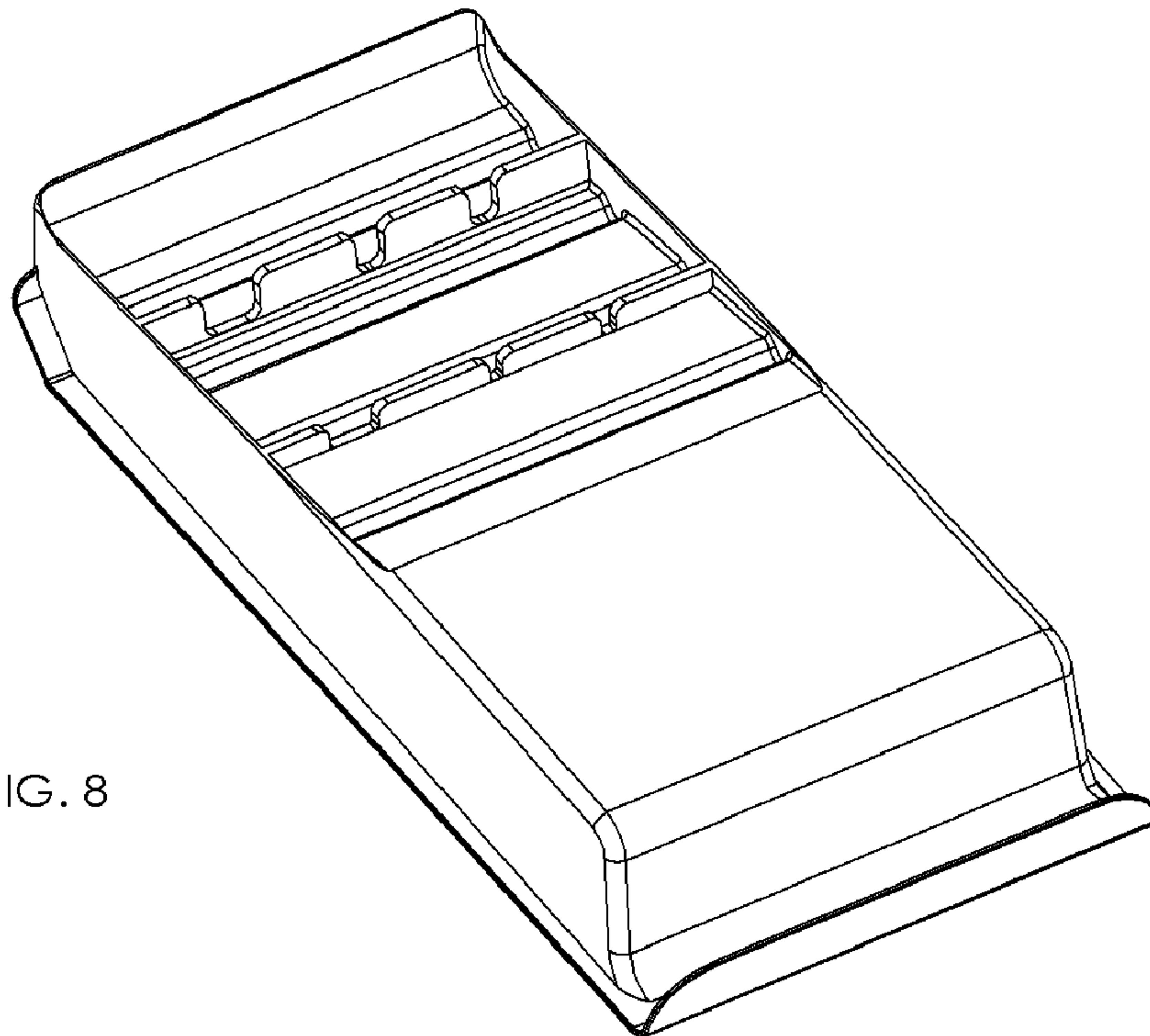


FIG. 8